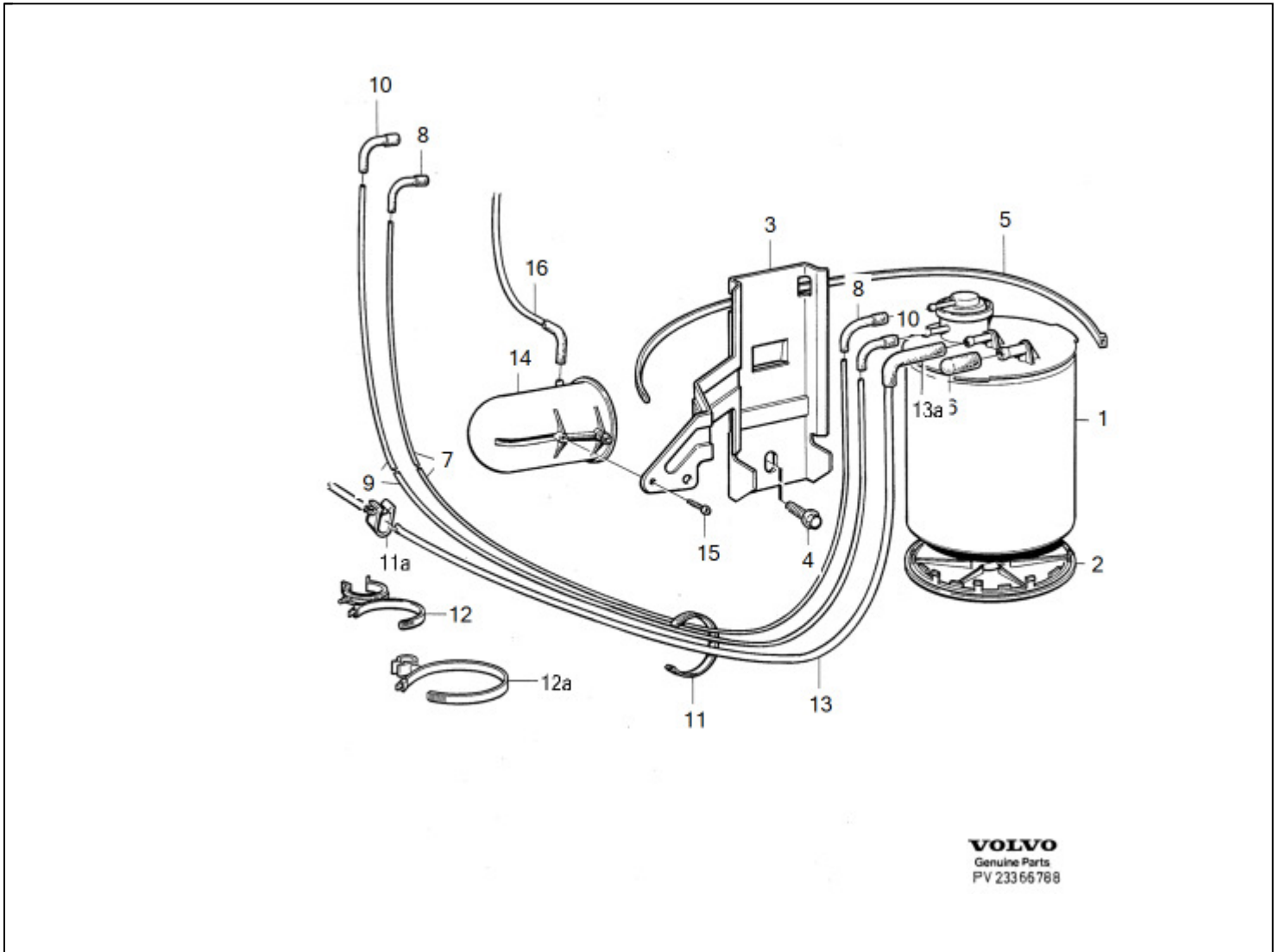




23 | Carbon filter with fittings B5254S -1994. B5252S, B5254FS LH 3.2



| Fig. | Part No. | Description | Qty. | PS |
|------|----------|---|------|----|
| 1 | 1276694 | EVAP canister | 1 | OP |
| 2 | 1274512 | Base cover | 1 | |
| 3 | 9155909 | Bracket | 1 | |
| 4 | 946485 | Sems screw ST6,3x16, REPL 1PCS 985744, 1PCS 986500 | 1 | SP |
| | 985191 | Flange screw M10x25 | 1 | |
| 5 | 949902 | Cable tie | 2 | SP |
| 6 | 1276516 | Rubber cap | 1 | |
| 7 | 949120 | Pipe, by the meter LG 900 mm | 1 | |



| | | | | |
|-----|---------|---------------------------------|---|----|
| 8 | 9125615 | Coupling piece | 2 | |
| 9 | 946233 | Pipe, by the meter LG 910 mm | 1 | |
| 10 | 9155862 | Coupling piece | 2 | |
| 11 | 948211 | Cable tie | 1 | |
| 11a | 9135821 | Clip | 1 | |
| 12 | 3507508 | Retainer | 3 | |
| 12a | 1275422 | Retainer | 1 | OP |
| 13 | 946234 | Tube | 1 | OP |
| 13a | 969106 | Hose LG 80 mm | 1 | |
| 14 | 1317860 | Vacuum tank | 1 | |
| 15 | 986061 | Six point socket screw | 1 | |
| 16 | | Hose | 1 | |
| | | Inlet manifold B5254FS -1994 | 1 | |