

Monteringsanvisning, tillbehör Installation instructions, accessories

V70 (00-)

Section	Group	No.	Date
8	89	181	Sep. -00

Ersätter utgåva Feb. -00
Replaces issue

Rails

Rails

Rails

Schienen

Carriles

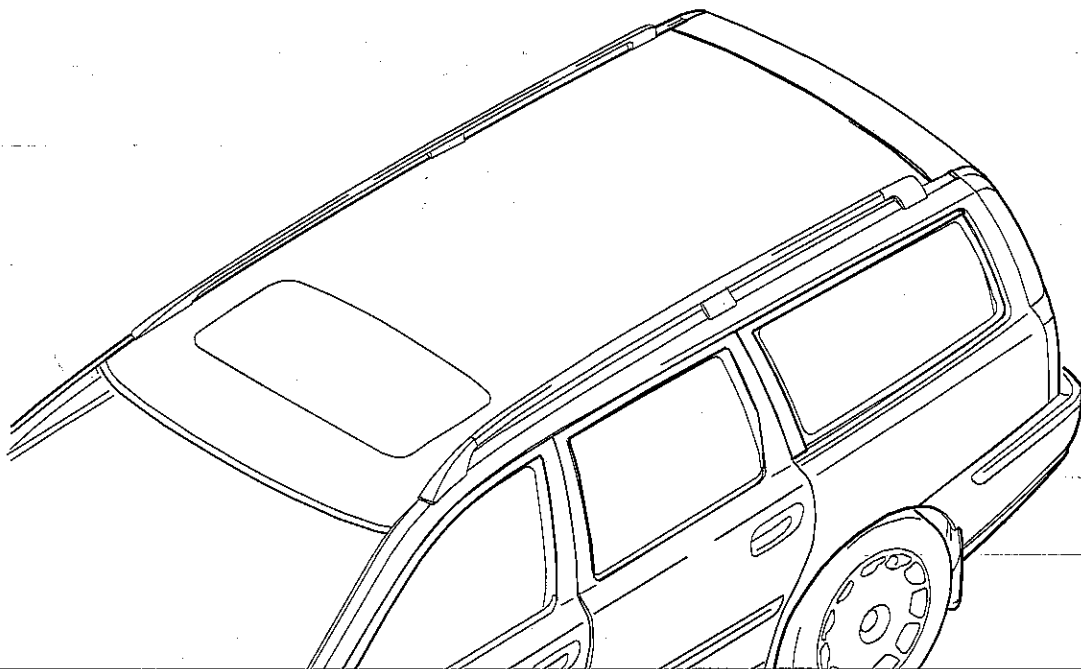
Rails

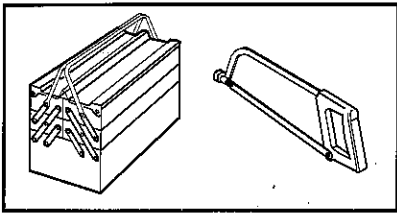
Kattokiskot

Rotaie

Calhas

レール





0000162A/0000255A

Comments on this publication?

Please contact your nearest dealer.

Publication no: MA 8622861 Sep. -00

From:

Comments:.....

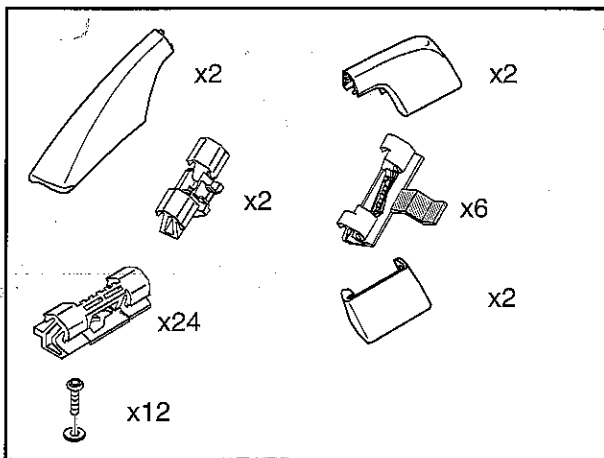
Address:

.....

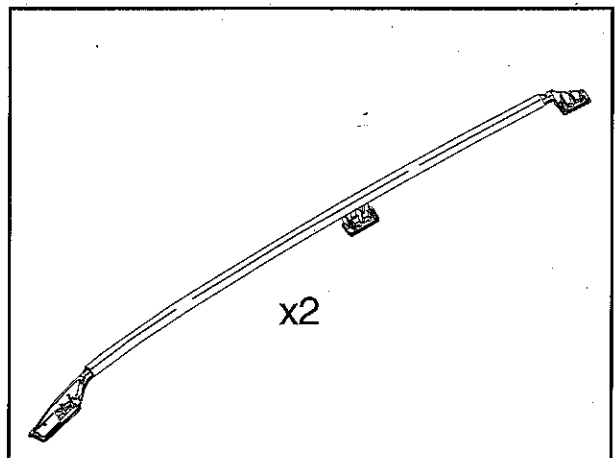
Telefax:

.....

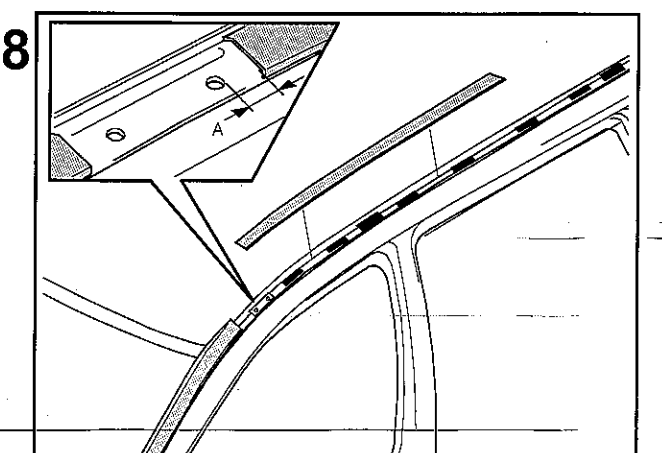
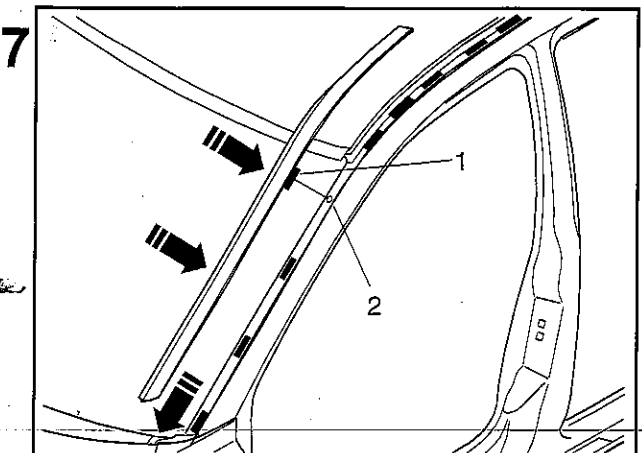
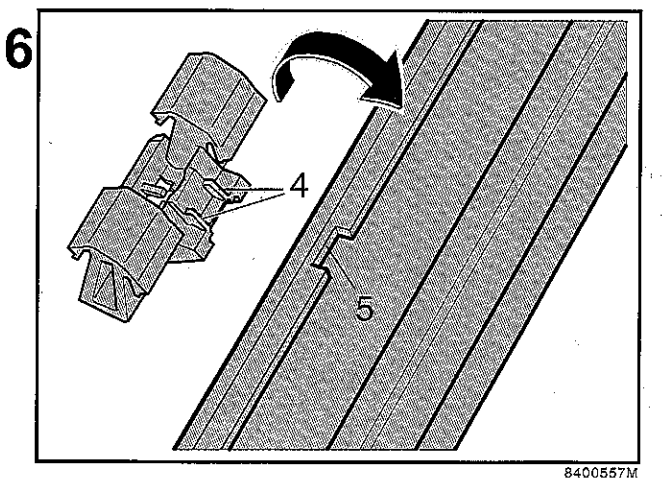
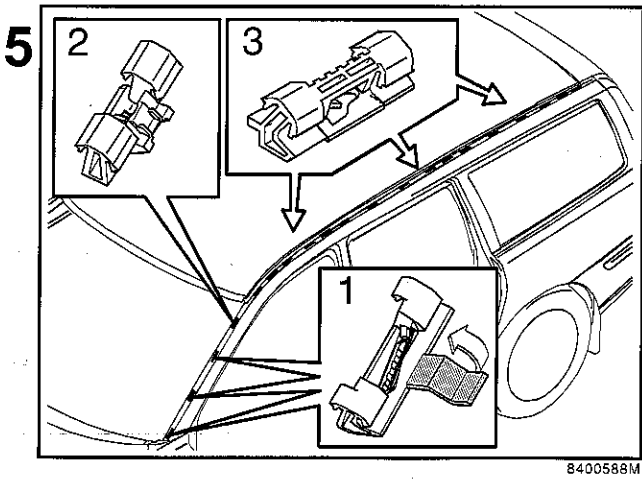
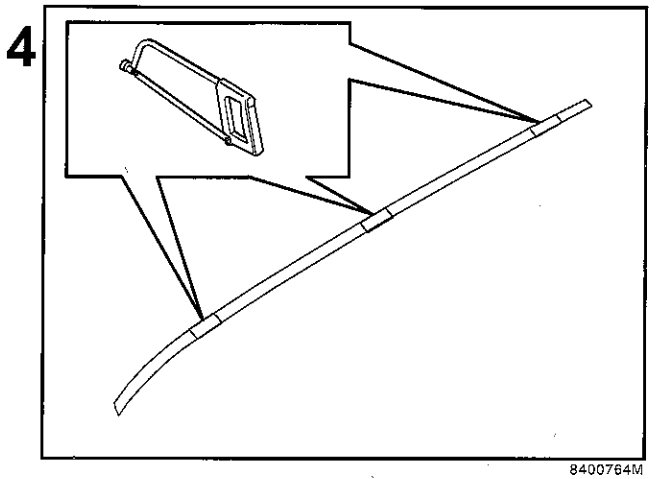
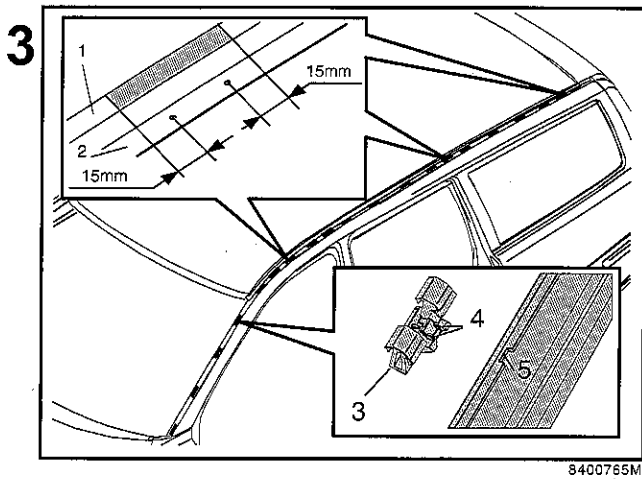
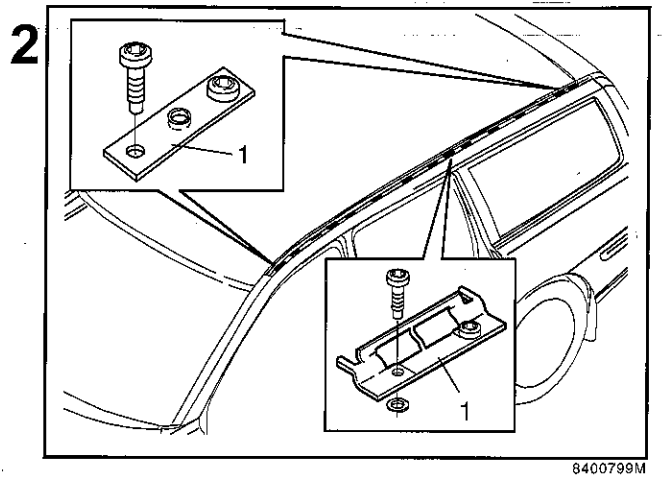
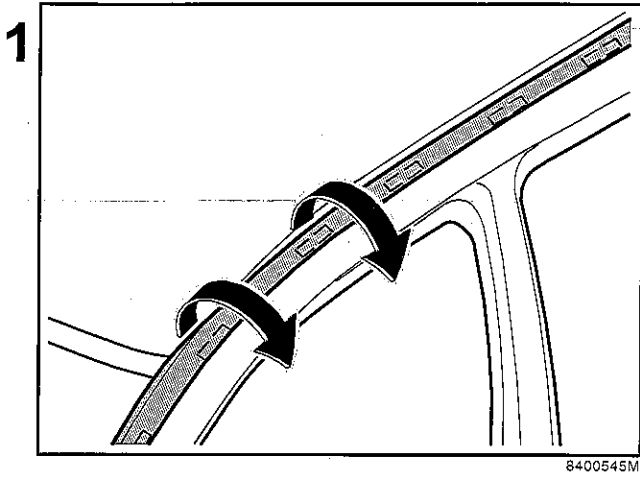
Thank You!

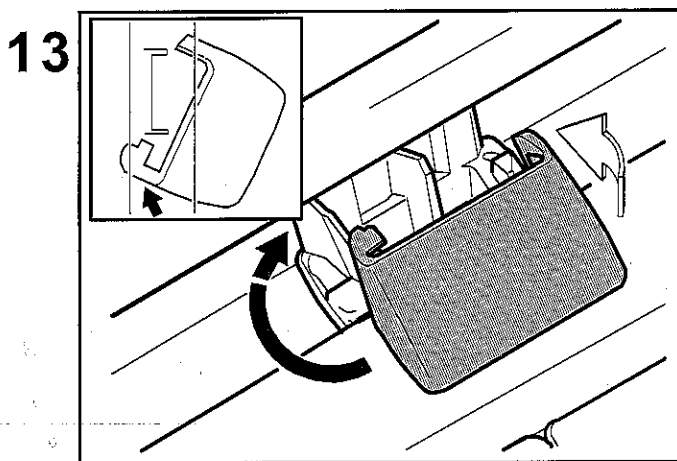
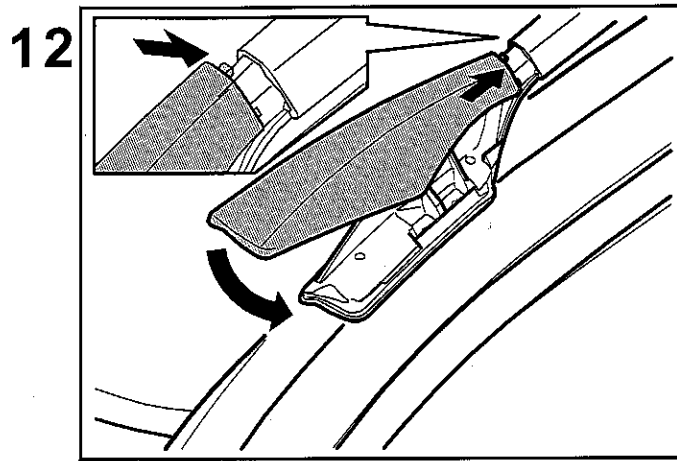
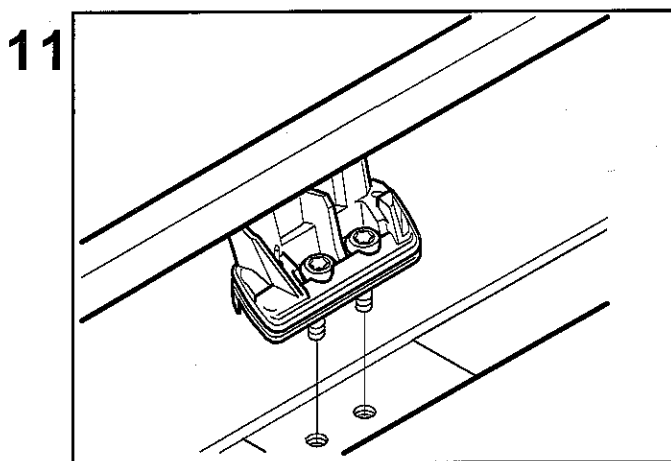
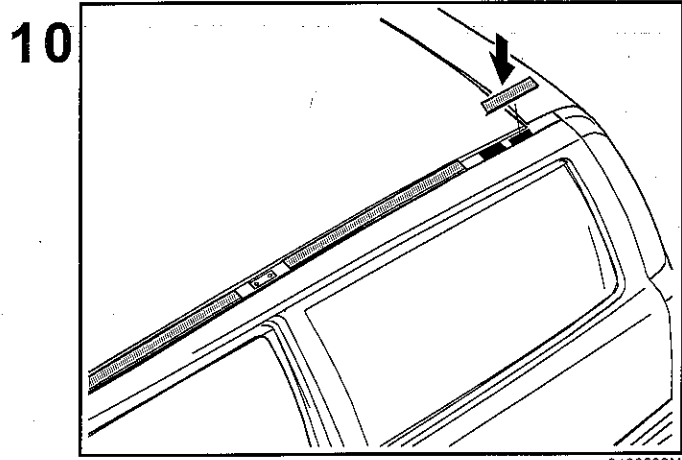
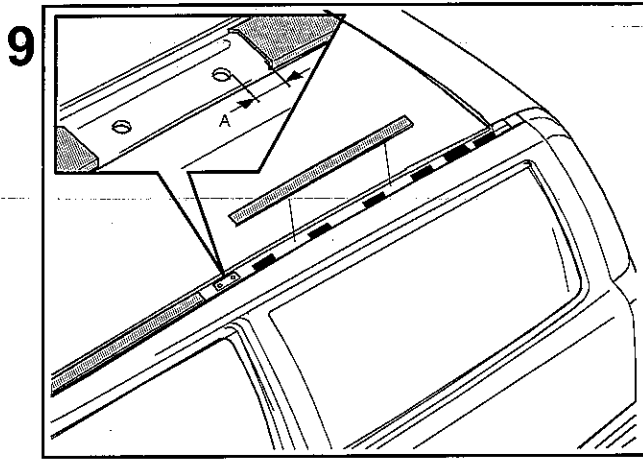


8901728M



8901729M







INTRODUCTION

- Read through the text before starting work!
- The front page gives the date of this edition and the edition it replaces.
- The second page shows the tools needed for the installation and the contents of the installation kit.
- The illustrations display the procedure in order of operation. The order of operation is repeated in the text section.
- Cut out the text page in order to follow the illustrations and text at the same time.

Since the previous edition the text at point 1-13 has been modified. The illustration at point 2-4 has been updated.

Carry out all the points on the left and right-hand sides of the car.

- 1** - Remove the roof trim strip. Pull the roof trim strip backwards so the clips release. Start at the front edge. Continue to the rear edge.
- NOTE!** Do not damage the roof trim strip, it will be reused. If necessary, tape the trim strip using masking tape to prevent damage to the paintwork.

- 2** - Remove the three blind cover plugs (1).

- 3** - Position the roof trim strip (1) slightly above the roof joint (2) to measure up for cutting the roof trim strip. Ensure that the locating pins (4) on the clip (3) are in the centre of the cut out (5) in the front section of the roof trim strip. If necessary, tape the roof trim strip so that it stays in position when measuring.
- Mark out to cut the roof trim strip as illustrated.

- 4** - Place the roof trim strip on a suitable underlay to prevent scratching.
- Cut the roof trim strip according to the markings. Use a fine toothed saw to prevent splintering.
 - Even off the edges.

- 5** - Replace all the clips with new clips.

Clip 1:

- Install the clip on the T-stud. Slide the clip onto the T-stud until the guiding edge of the clip is tight against the A-post.
- Hold the clip and break off the guiding edge. Bend the edge up until the edge breaks off.

Clip 2:

- Install according to point 6.

Clip 3:

- Install the clip on the T-stud.

- 6** - Take the front roof trim strip.
- Remove clip 2 (see illustration 5) from the A-post. The clip is used to guide the front roof trim strip vertically. Replace the clip with a new clip.
- NOTE!** Install the new clip in the small cut out (5) on the reverse of the roof trim strip. Use the clip guide lugs (4).

- 7** - Insert the front roof trim strip in the rubber grommet between the windscreen and front fender.
- Place a hand on each side of the installed clip (1).
 - Twist the roof trim strip a little to expose the clip (1) and the T-stud (2).
 - Press the clip into place on the T-stud.
 - Press the roof trim strip into place on the other clips.

- 8** - Press the foremost of the centre roof trim strips into place on the clips.
- Slide the roof trim strip so that there is an equal distance (A) between the hole in the roof and the end of the roof trim strip, both at the front edge and rear edge of the strip.
 - Then press the roof trim strip outwards until the rubber seal seals against the roof edge.

- 9** - Press the rearmost of the centre roof trim strips into place on the clips.
- Slide the roof trim strip so that there is an equal distance (A) between the hole in the roof and the end of the roof trim strip, both at the front edge and rear edge of the strip.
 - Then press the roof trim strip outwards until the rubber seal seals against the roof edge.

- 10** - Press the rear roof trim strip on the clip.
- Then press the roof trim strip outwards until the rubber seal seals against the roof edge.

- 11** - Take the rail from the kit. The screws on the centre mounting and all the rubber washers and rubber liners are already installed.
- Position the rail. Screw the centre mounting into place. Do not tighten the screws yet.
 - Screw the end mountings into place. Use the screws from the kit. Do not tighten the screws yet.
 - Tighten all the screws in the rail mountings in two stages to avoid misalignment. Tighten to 6 Nm (4.5 lbf ft).

- 12** - Install the cover on the front rail mounting.
- Insert the two locating pins for the cover for the rail, as illustrated.
 - Fold the cover down towards the front mounting. Press into place.
 - Repeat the operation for the rear mounting cover.

- 13** - Install the cover on the centre rail mounting.
- Hook the cover onto the front edge of the mounting.
 - Press the cover backward. At the same time press the cover towards the rear edge of the mounting.