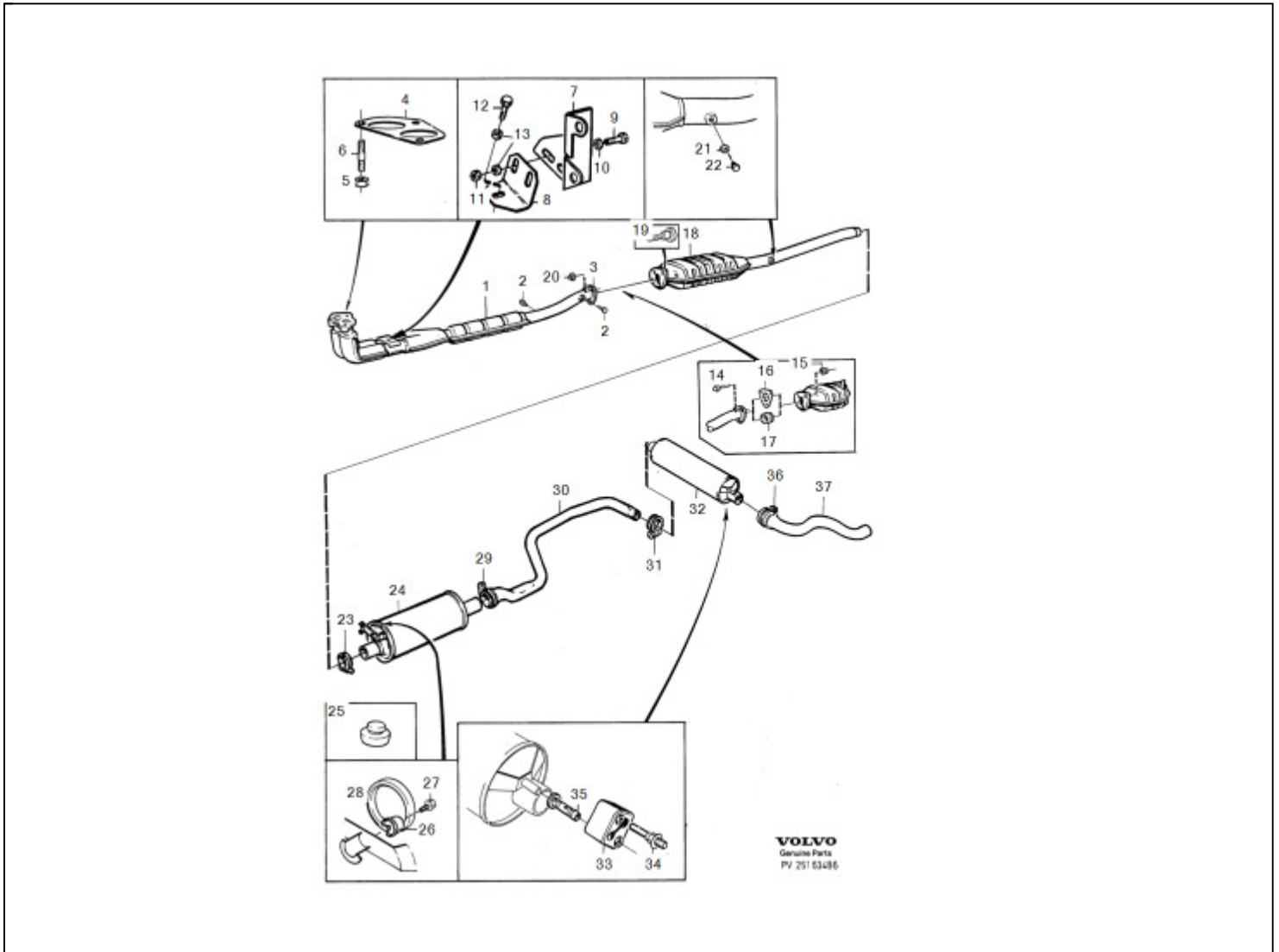




25 | Exhaust system B230F,B230FD 1991- 4DRS CH APP 454201-, 5DRS CH APP 907401-., 4DRS S.R



| Fig. | Part No. | Description | Qty. | PS |
|------|----------|---|------|----|
| 1 | 3536202 | Exhaust pipe W/O E.G.R | 1 | SP |
| | 31372162 | Exhaust pipe REPL 1PCS 3536202-9 | 1 | |
| | 3507830 | Exhaust pipe, front E.G.R, REPL 1PCS 3514145-6 | 1 | SP |
| | 3514145 | Exhaust pipe E.G.R | 1 | OP |
| 2 | 948404 | Plug | 1 | |
| 3 | 1276031 | Flange W/O E.G.R For exhaust system where the pipe is joined with catalytic converter via separate flanges. separate flanges. | 1 | |



| | | | | |
|----|----------|--|---|----|
| 4 | 3531326 | Gasket | 1 | |
| 5 | 977211 | Flange lock nut | 3 | |
| 6 | 977581 | Stud | 3 | |
| 7 | 1346299 | Bracket | 1 | |
| 8 | 1357002 | Bracket | 1 | |
| 9 | 986985 | Hexagon screw | 2 | |
| 10 | 986501 | Washer | 2 | |
| 11 | 985877 | Hexagon nut | 2 | |
| 12 | 982793 | Flange screw | 1 | |
| 13 | 986501 | Washer | 3 | |
| 15 | 985868 | Flange lock nut, Welded flange | 3 | |
| 18 | 3531403 | Catalytic converter W/O E.G.R, REPL 1PCS 3531257-8, 1PCS 3507824-5, 3PCS 977581-8. | 1 | SP |
| | 3501957 | Three-way catalysator converter E.G.R | 1 | |
| 19 | 1276215 | Press screw | 3 | |
| 20 | 985868 | Flange lock nut | 3 | |
| 21 | 11998 | Gasket | 1 | |
| 22 | 986817 | Plug | 1 | |
| 23 | 975259 | Clamp | 1 | |
| 24 | 1378297 | Muffler, center | 1 | |
| 25 | 1272596 | Rubber cushion | 1 | |
| 26 | 1273182 | Retainer | 2 | |
| 27 | 988177 | Flange screw | 2 | |
| 28 | 666407 | Rubber ring | 2 | |
| 29 | 976587 | Clamp | 1 | |
| 30 | 1336286 | Exhaust pipe | 1 | |
| 31 | 976472 | Clamp | 1 | |
| 32 | 31372177 | Muffler | 1 | |
| 33 | 1206468 | Shackle | 2 | |
| 34 | 1228280 | Screw with pin | 2 | |
| 35 | 1229342 | Protecting sleeve | 2 | |
| 36 | 976587 | Clamp | 1 | |
| 37 | 31372179 | Exhaust pipe, black | 1 | |