

# **VOLVO**

## **Service Manual**

**Fault tracing**

**Design**

**Repair**

**Function**

**Maintenance**

**Section 3 (39)**

**Wiring diagrams**

**960/S90/V90  
1997-1998**

TP 3934202



**Volvo Car Corporation**

## Cars with SRS/ SIPS (Side Impact Protection System) air bag

### Warning

Cars equipped with a Supplemental Restraint System (SRS)/ SIPS (Side Impact Protection System) air bag must be treated extra carefully when repairs are being made. This is to help prevent: 1. Injuries when carrying out a repair. 2. Damage or malfunction of the SRS system. Repair to either the SRS itself or a related system or component must be carried out by an authorized Volvo workshop. Refer to the appropriate SRS/SIPS service manual for complete system information.

### Is the car equipped with SRS/SIPS?

Cars with SRS are most easily recognized by the SRS letters on the steering wheel pad. If the car is also equipped with an air bag on the passenger side, the letters 'SRS' will be embossed on the instrument panel above the glove compartment. Most cars with SRS are also equipped with pyrotechnical seat belt tensioners in the B-posts.

The SIPS air bag is only installed on cars fitted with SRS (Air bag), from 1996 and on. The SIPS identifying label is attached to the windshield and on the side panels of the front seats.

### Dashboard or around steering column

Take care to avoid electric wiring being pinched, frayed or pierced by screws when working on firewall, knee bolster, ignition switch, steering column casings, glove compartment, instrument panel, door sills and B-posts.

### Driver's seat, centre console or carpeting at left front seat

The SRS collision sensor is located under the left front seat. Do not disconnect the collision sensor connector. Never install accessories on or near the sensor. The crash sensor connector on 1992 and earlier models must **never** be disconnected.

### Repairs to steering gear and column

When carrying out repairs to the steering wheel, steering gear or column always follow the repair procedures given in the appropriate SRS service manual. The contact reel in the steering column will be damaged if the steering wheel is turned more than three turns in either direction.

### Seats

The sensor unit for the SIPS air bags is located in the center of the side panels on the front seats.

The SIPS air bag will activate if the side panel receives a hard blow or pressure, it will also activate if the door is closed and there is an object between the seat side panel and the door.

### Test terminal

Data Link Connector socket in passenger compartment.

### Modifications to May 1997 included

Modifications introduced after the above date are not covered in this manual. See Service Bulletins as applicable.

Volvos are sold in versions adapted for different markets. These adaptations depend on many factors including legal, taxation and market requirements. This manual may therefore show illustrations and text which do not apply to cars in your country.

# Contents

|   |     |  |     |
|---|-----|--|-----|
| Abbreviations .....                                   | 3   | Back-up (reversing) lamps .....                    | 118 |
| How to use the diagrams .....                         | 4   | Courtesy lighting                                  |     |
| Electrical distribution .....                         | 6   | left-hand drive cars .....                         | 120 |
| Ignition switch .....                                 | 10  | right-hand drive cars .....                        | 122 |
| Relays  |     | Instrument and control panel lighting              |     |
| in fusebox, passenger compartment .....               | 10  | left-hand drive cars .....                         | 124 |
| in relay box, passenger compartment (tunnel) .....    | 10  | right-hand drive cars .....                        | 126 |
| in integrated relay/fusebox, engine compartment ..... | 11  |  |     |
| other .....   | 11  |  |     |
| Fuses   |     | <b>Group 36</b>                                    |     |
| in engine compartment .....                           | 12  | Turn signal lamp and hazard warning signal flasher |     |
| in passenger compartment .....                        | 13  | USA, Canada .....                                  | 128 |
| Routing of cable harnesses in the car .....           | 14  | left-hand drive cars .....                         | 130 |
| Junction points .....                                 | 21  | right-hand drive cars .....                        | 132 |
| Connectors .....                                      | 46  | Horn .....   | 134 |
| Terminal blocks .....                                 | 75  | Wiper/ washer                                      |     |
| Ground points .....                                   | 78  | Windshield .....                                   | 136 |
|   |     | Headlamp .....                                     | 138 |
|   |     | Rear windshield .....                              | 140 |
|   |     | Cigarette lighter .....                            | 142 |
|   |     | Anti-theft alarm                                   |     |
|   |     | left-hand drive cars .....                         | 144 |
|   |     | right-hand drive cars .....                        | 146 |
|   |     | Immobilizer .....                                  | 148 |
| <b>Group 23</b>                                       |     |  |     |
| Fuel and ignition system Motronic 4.4                 |     | <b>Group 37</b>                                    |     |
| USA, Canada .....                                     | 82  | On-board diagnostic system (OBD system) .....      | 150 |
| Other .....   | 86  | Tow hitch wiring                                   |     |
|   |     | left-hand drive cars .....                         | 152 |
|   |     | right-hand drive cars .....                        | 154 |
|   |     | Accessory wiring .....                             | 156 |
| <b>Group 26</b>                                       |     |  |     |
| Engine cooling fan (FC) .....                         | 90  | <b>Group 38</b>                                    |     |
|   |     | Seat belt reminder .....                           | 158 |
| <b>Group 27</b>                                       |     | Seatbelt reminder and key reminder                 |     |
| Cruise control .....                                  | 92  | USA, Canada, Korea and Australia .....             | 160 |
|   |     | Combined instrument panel                          |     |
|   |     | left-hand drive cars .....                         | 162 |
|   |     | right-hand drive cars .....                        | 164 |
|   |     | instrument lamps .....                             | 166 |
|   |     | Outer temperature sensor .....                     | 168 |
|   |     | Bulb failure warning sensor                        |     |
|   |     | left-hand drive cars .....                         | 170 |
|   |     | right-hand drive cars .....                        | 172 |
| <b>Group 32</b>                                       |     | <b>Group 39</b>                                    |     |
| Power supply .....                                    | 94  | Radio  |     |
|   |     | 4-door, left-hand drive cars .....                 | 174 |
|   |     | 4-door, right-hand drive cars .....                | 176 |
|   |     | 5-door, left-hand drive cars .....                 | 178 |
|   |     | 5-door, right-hand drive cars .....                | 180 |
| <b>Group 33</b>                                       |     |  |     |
| Starter system  |     |  |     |
| 960 .....   | 96  |  |     |
| S90/V90 .....   | 98  |  |     |
| <b>Group 35</b>                                       |     |  |     |
| High and low beam                                     |     |  |     |
| left-hand drive cars .....                            | 100 |  |     |
| right-hand drive cars .....                           | 102 |  |     |
| Front-rear lamp adjustment .....                      | 104 |  |     |
| Fog lamp  |     |  |     |
| left-hand drive cars .....                            | 106 |  |     |
| right-hand drive cars .....                           | 108 |  |     |
| Parking lamps, tail lamps and license plate lighting  |     |  |     |
| 4-door .....  | 110 |  |     |
| 5-door .....  | 112 |  |     |
| Stop (brake) lamp                                     |     |  |     |
| 4-door .....  | 114 |  |     |
| 5-door .....  | 116 |  |     |

Continued on following page

**Order number: TP 3934202**

Replaces previous manuals TP 3934201 and TP 3924201

**We reserve the right to make alterations without prior notification**

# Contents

## Group 43

|  |     |
|--|-----|
| Electronically controlled automatic transmission |     |
| AW 30-40143                                      |     |
| 960 .....  | 182 |
| S90/V90 .....                                    | 184 |
| P-shift lock, automatic transmission .....       | 186 |

## Group 59

|                                    |     |
|------------------------------------|-----|
| ABS Anti-lock braking system ..... | 188 |
|------------------------------------|-----|

## Group 83

|                                      |     |
|--------------------------------------|-----|
| Power windows .....                  | 190 |
| Central locking                      |     |
| USA and Canada, 4-door .....         | 192 |
| USA and Canada, 5-door .....         | 194 |
| left-hand drive cars .....           | 196 |
| right-hand drive cars .....          | 198 |
| Remote control central locking ..... | 200 |
| Power sunroof .....                  | 202 |

## Group 84

|   |     |
|---|-----|
| Heated rear window and door mirrors ..... | 204 |
| Power door mirrors .....                  | 206 |

## Group 85

|   |     |
|---|-----|
| Heated seats                              |     |
| 960 .....                                 | 208 |
| S90/V90 .....                             | 210 |
| Electrically operated driver's seat ..... | 212 |
| Power passenger seat .....                | 214 |

## Group 87

|                                       |     |
|---------------------------------------|-----|
| Standard heater .....                 | 216 |
| Manual Climate Control unit MCC ..... | 218 |
| Electronic climate control, ECC       |     |
| left-hand drive cars .....            | 220 |
| right-hand drive cars .....           | 222 |
| Exhaust temperature switch .....      | 224 |

## Group 88

|   |     |
|---|-----|
| SRS Supplemental Restraint System ..... | 226 |
|---|-----|

|  |                          |
|--|--------------------------|
| Function diagrams .....                | 228                      |
| Index .....                            | 256                      |
| List of components (see foldout) ..... | at end of manual         |
| Feedback .....                         | last page of this manual |

There are a number of abbreviations in the book. These are explained below.

## Countries/Markets

|       |                                 |
|-------|---------------------------------|
| A     | = Austria                       |
| AUS   | = Australia                     |
| B     | = Belgium                       |
| CDN   | = Canada                        |
| CH    | = Switzerland                   |
| D     | = Germany                       |
| DK    | = Denmark                       |
| E     | = Spain                         |
| EU/OS | = Markets except USA and Canada |
| FIN   | = Finland                       |
| GB    | = Great Britain                 |
| J     | = Japan                         |
| KOR   | = Korea                         |
| N     | = Norway                        |
| NL    | = Holland                       |
| S     | = Sweden                        |
| WEU   | = Western Europe                |

## Other

|        |                          |
|--------|--------------------------|
| ALTER  | = Alternative            |
| AUTO   | = Automatic transmission |
| AWD    | = All-wheel drive        |
| EARLY  | = Early version          |
| EXC    | = Exclusive              |
| GA     | = Anti-theft alarm       |
| IMMO   | = Immobilizer            |
| LATE   | = Late version           |
| LHD    | = Left-hand drive        |
| MAN    | = Manual transmission    |
| OTHERS | = Other                  |
| RHD    | = Right-hand drive       |
| W/O    | = Without                |
| YM97   | = Model year 1997        |
| YM98   | = Model year 1998        |
| 4DRS   | = 4 door                 |
| 5DRS   | = 5 door                 |

## Colors

|    |          |
|----|----------|
| BL | = Blue   |
| BN | = Brown  |
| GN | = Green  |
| GR | = Gray   |
| OR | = Orange |
| P  | = Pink   |
| R  | = Red    |
| SB | = Black  |
| VO | = Violet |
| W  | = White  |
| Y  | = Yellow |

# How to use the diagrams

## A. Component designation

Each component has a component designation. This consists of a type number and a component number.

There is a list of component designations at the end of the book where you can obtain the components names.

## B. Type number

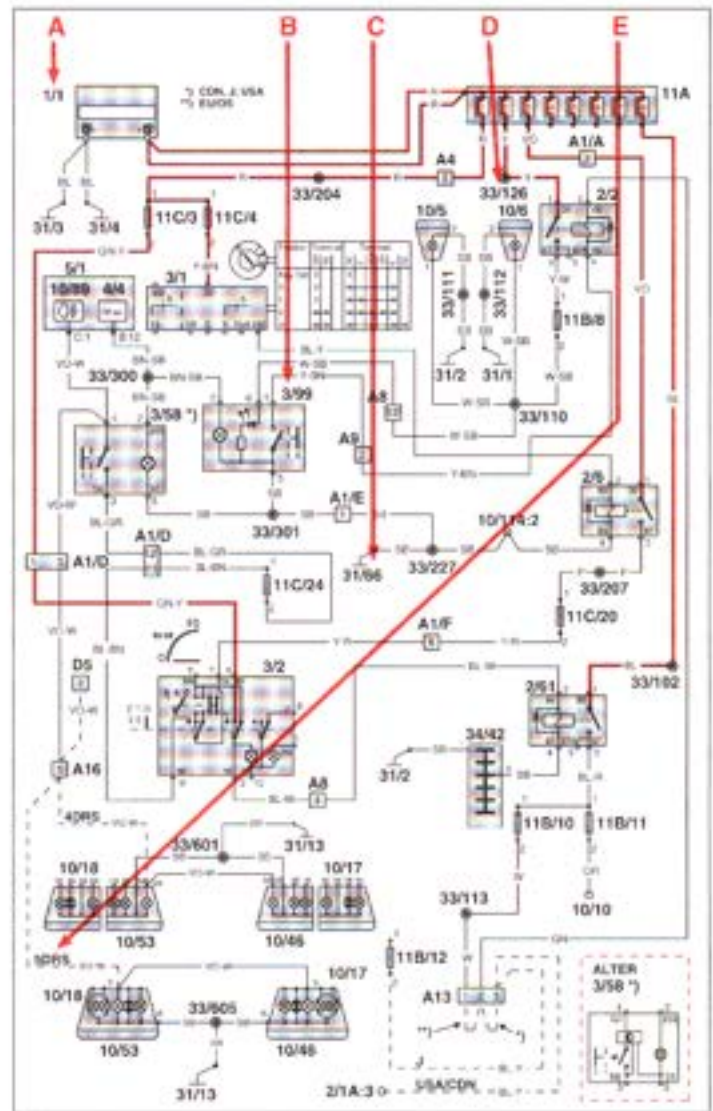
The first part of the component designation indicates which type of component it is, for example switch, electric motor, etc.

Type numbers:

- 1 Battery
- 2 Relay
- 3 Switch
- 4 Control module
- 5 Combined instrument panel
- 6 Electric motor
- 7 Sensor
- 8 Actuator
- 9 Heater pad
- 10 Lamp
- 11 Fuse
- 13 Junction point
- 15 Distribution rail, power supply
- 16 Audio
- 17 Service/ On board diagnostic system (OBD)
- 18 Contact reel
- 19 Gauges
- 20 Ignition components/ resistors
- 23 Junction point
- 24 Connectors
- 31 Ground point
- 33 Junction point
- 34 Terminal block/-mounting bracket
- A Connector
- B Connector
- C Connector
- D Connector

## C. Component number

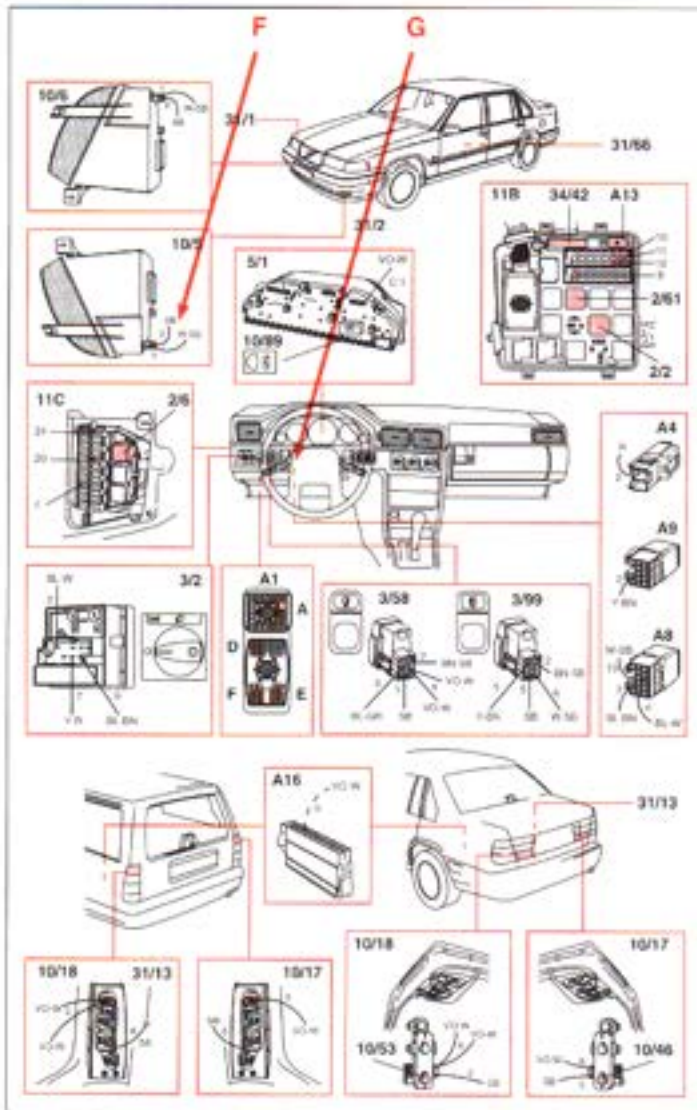
The second part of the component designation indicates which specific component it is, light switch, central locking motor, etc.



## Explanation of symbols

- = No voltage
- = System voltage
- = Voltage less than system voltage
- = Pulsed voltage
- = Ground point
- = Shielded cable
- = Junction point
- = Twinned cables
- = Electrical connection
- = No electrical connection
- = Variant
- = The cable continues to component

## How to use the diagrams



### D. Junction points

The junction points are numbered. There is a list of the different junction points in the manual. It shows with which other components the junction points are joined.

### E. Abbreviations

There are a number of abbreviations used in the book. These are explained in the chapter "Abbreviations".

Example. BN-SB = Brown-black

### F. Components

This shows how the different cables are connected to the relevant components.

### G. Location of components

It shows where the function components are placed.

## Table

Certain complicated multi-point switches are described using a table, see the example below.

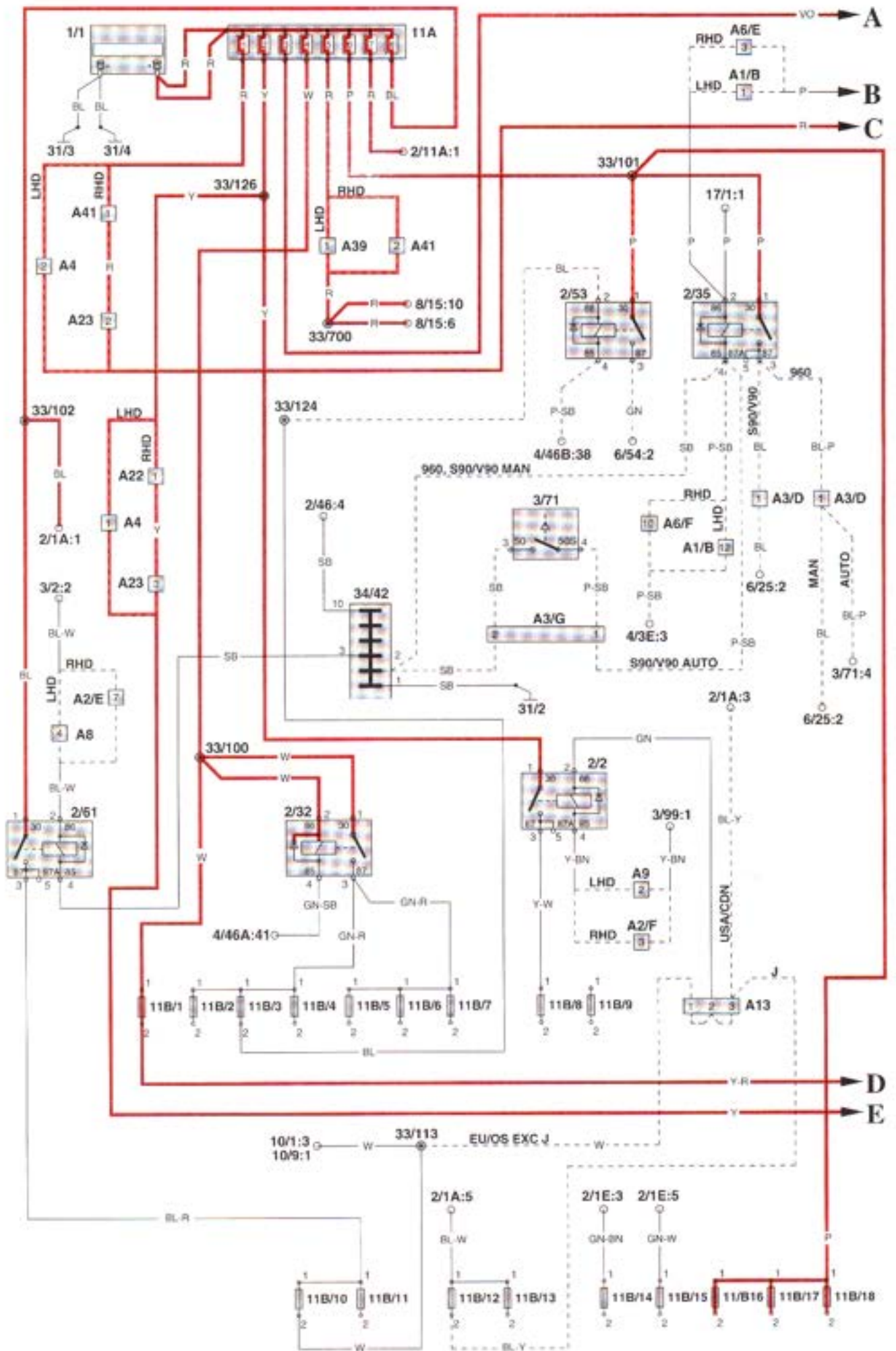
The table is used to read off when the terminals are electrically connected to each other.

Example. In position C, terminal 56 is connected to terminal 56a.

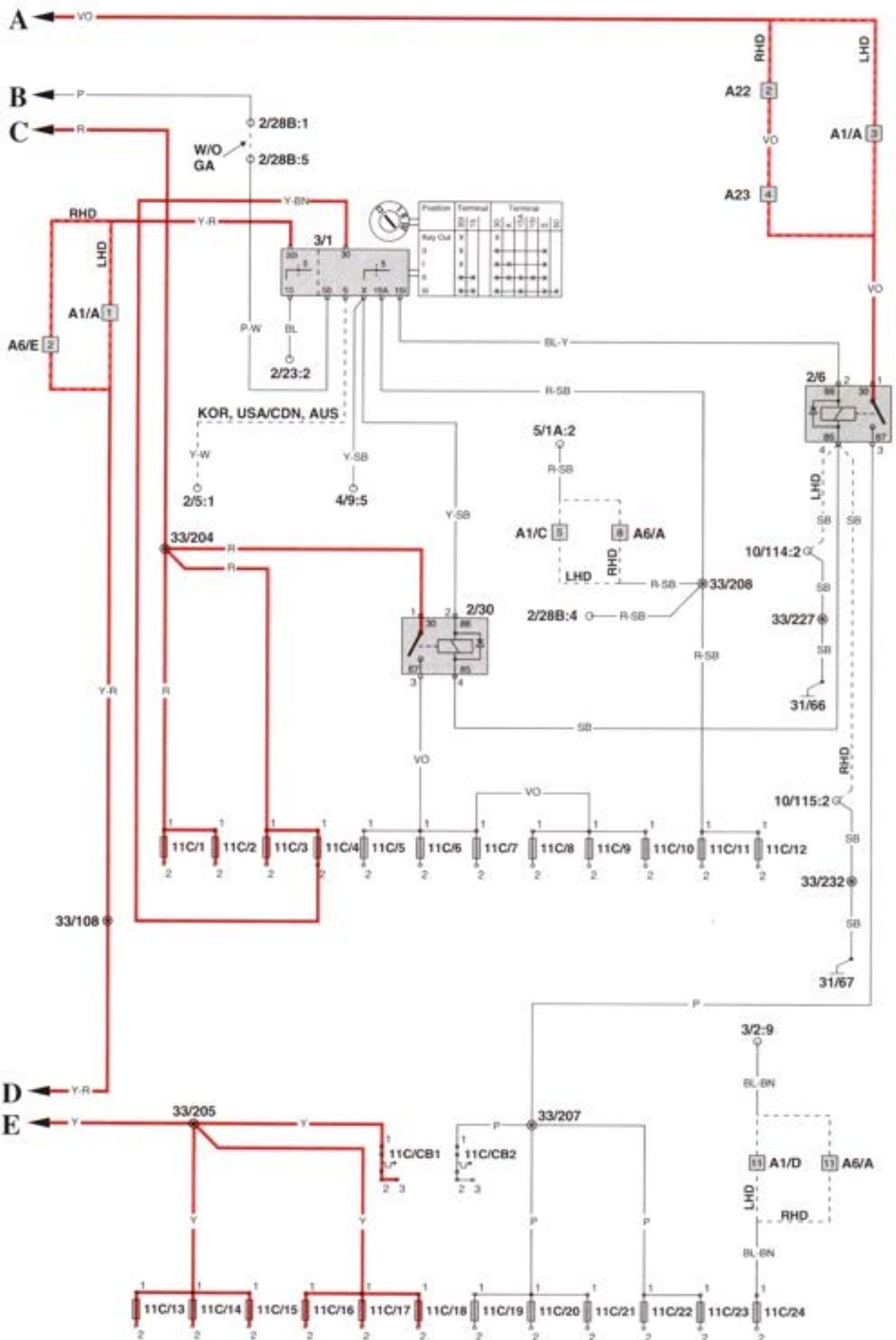


|   | 56 | 56b | 56a | 30 |
|---|----|-----|-----|----|
| A | X  | X   | X   | X  |
| B | X  | X   |     |    |
| C | X  |     | X   |    |

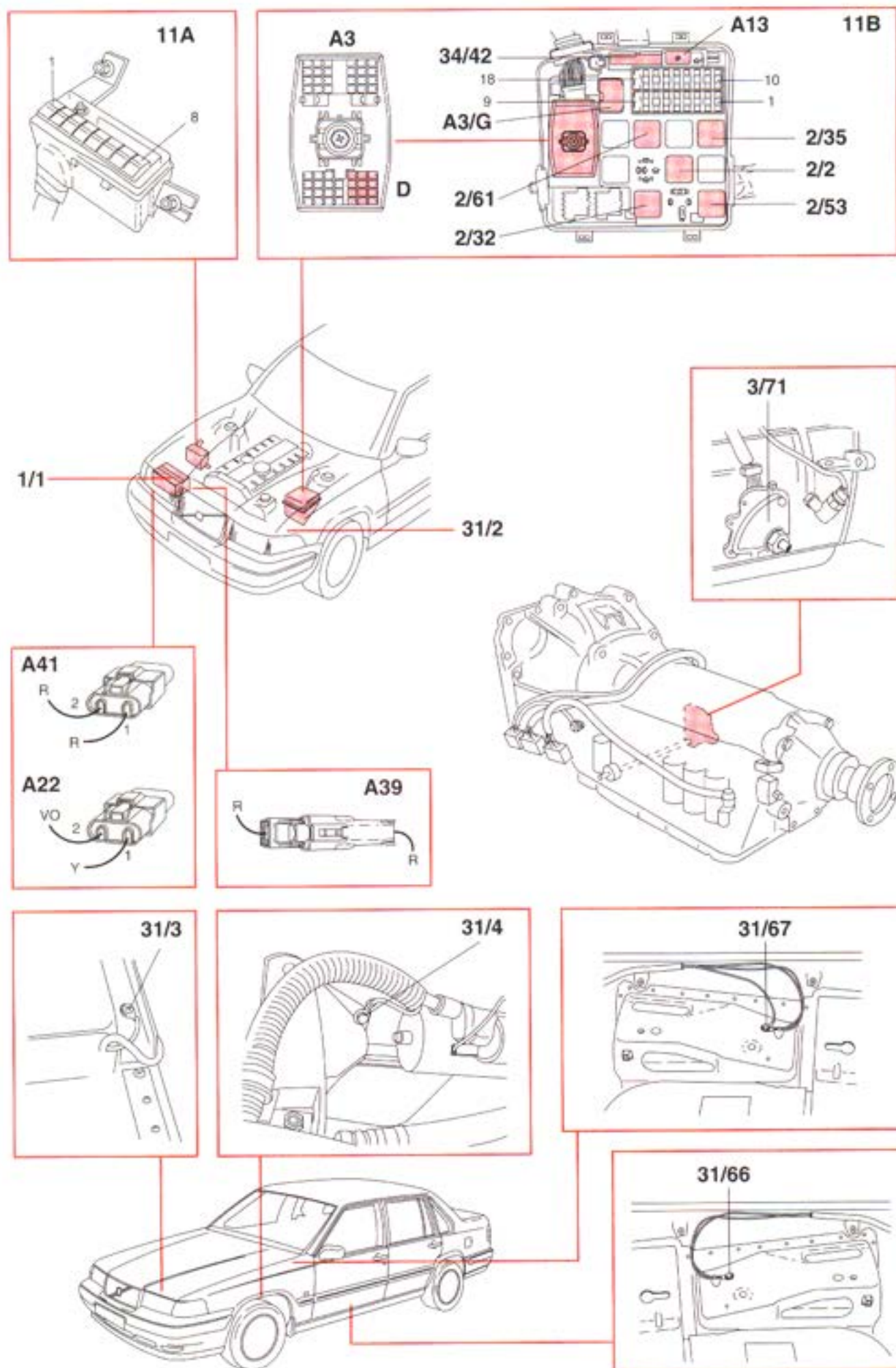
# Electrical distribution



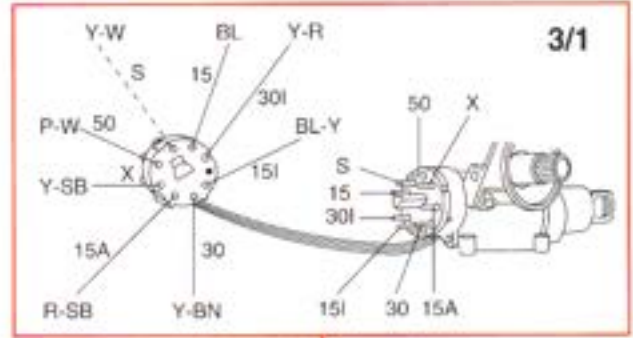
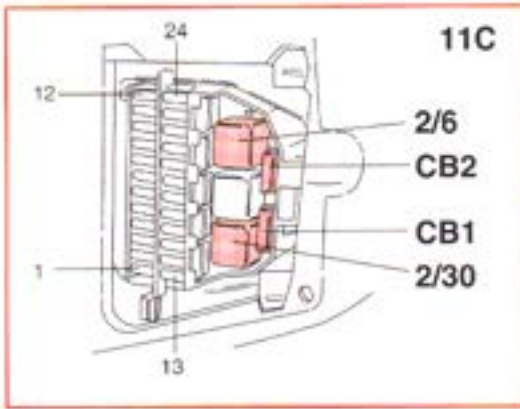
# Electrical distribution



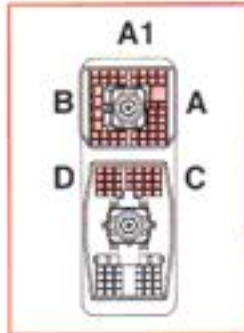
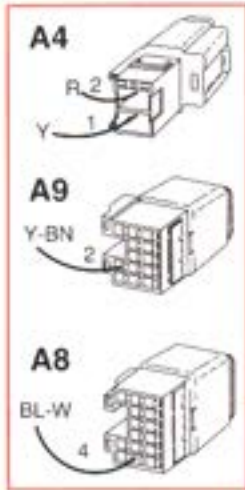
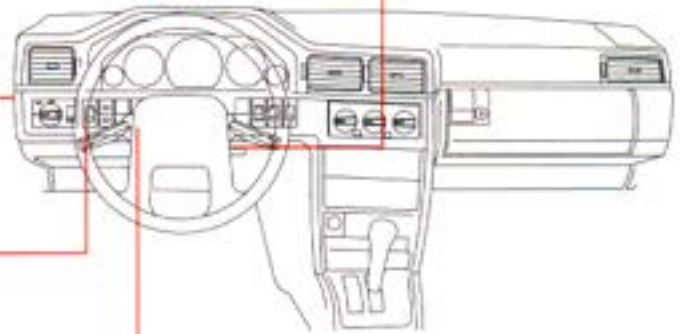
# Electrical distribution



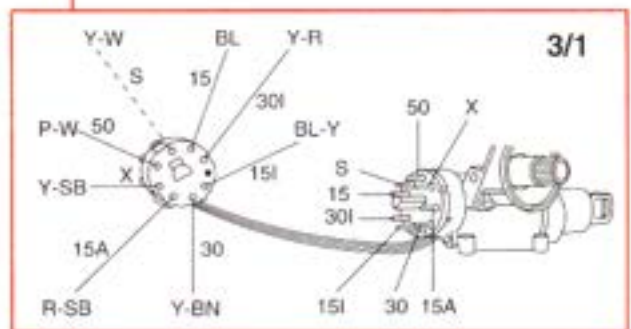
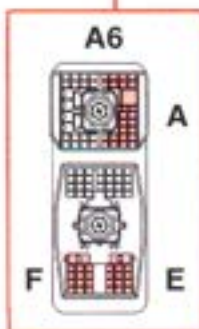
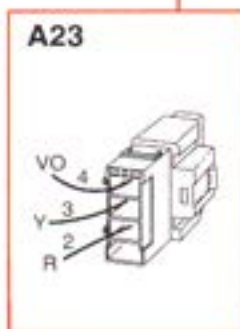
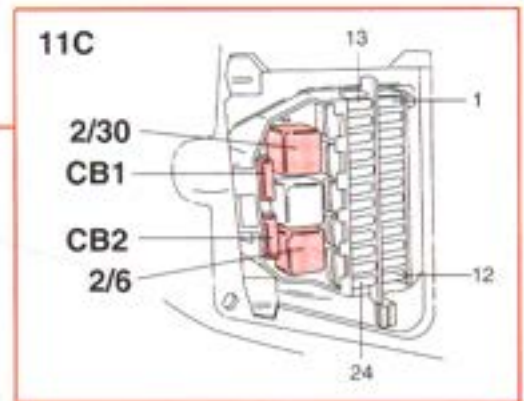
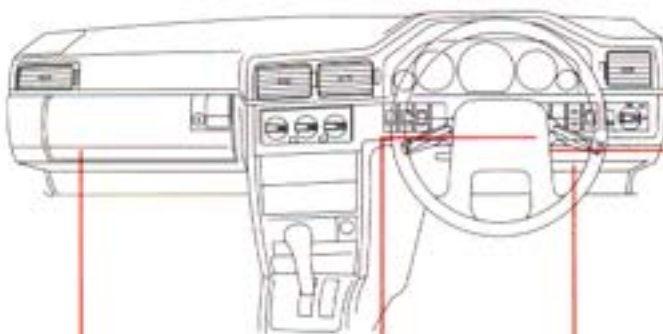
# Electrical distribution



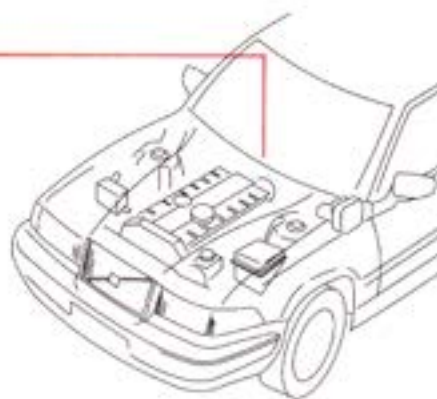
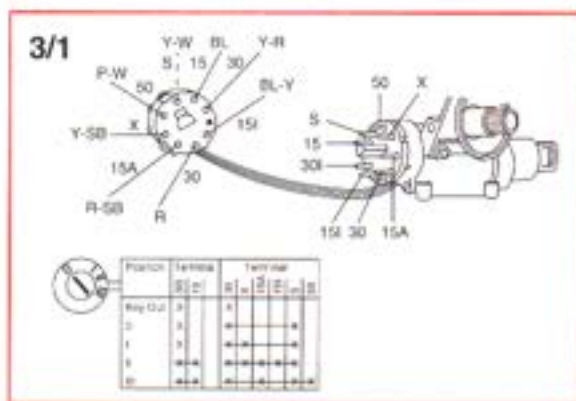
**LHD**



**RHD**

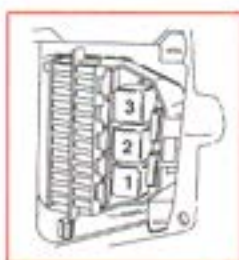


## Ignition switch



## Relays in the fusebox, passenger compartment

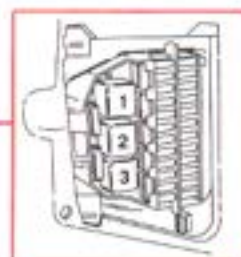
| Term. | Relay function            |
|-------|---------------------------|
| 1     | Overload relay X+ (2/30)  |
| 2     | Fuel pump (2/23)          |
| 3     | Overload relay 15I+ (2/6) |



LHD

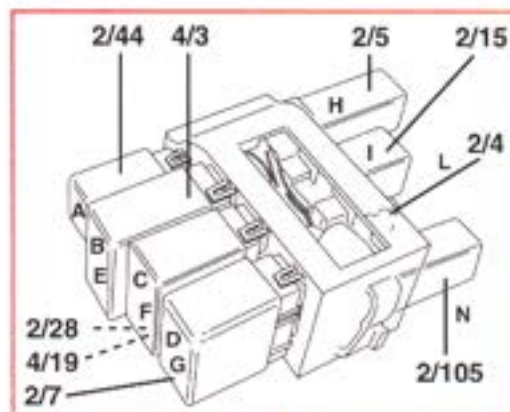


RHD

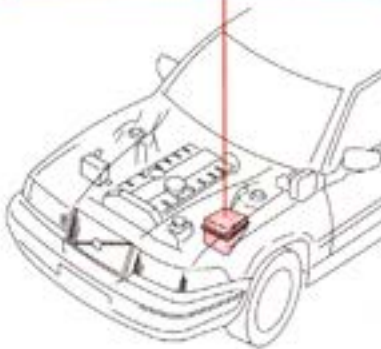
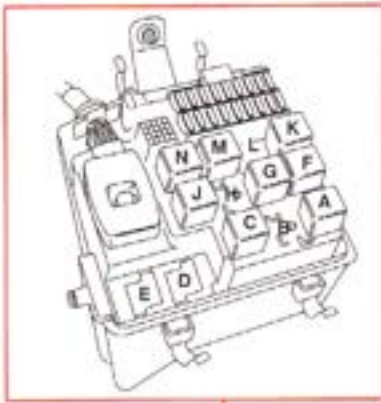


## Relays in relay box, passenger compartment (tunnel)

| Term. | Relay function  |
|-------|---|
| A     | Relay rear window/door mirror heating (2/44)  |
| B-E   | Control module, cruise control (4/3)  |
| C-F   | Relay anti-theft alarm (2/28) alternatively<br>Relay remote controlled central locking/ indicator<br>LED Immobilizer (4/19) |
| D-G   | Central locking relay (2/7)   |
| H     | Relay seat belt reminder/key warning (2/5)  |
| I     | Relay exhaust temperature sensor (2/15)   |
| L     | Intermittent relay windshield wiper (2/4)   |
| N     | Relay driver's door, 2-stage central locking (2/105)  |



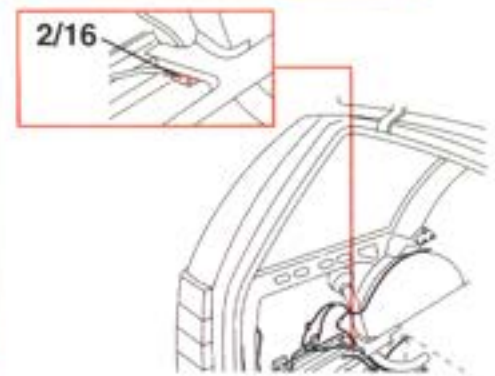
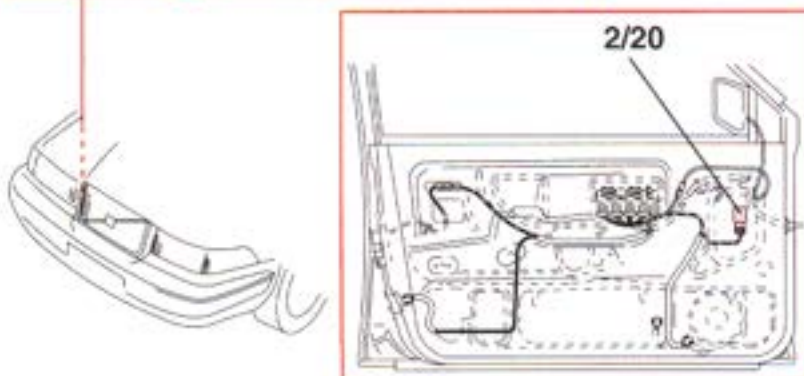
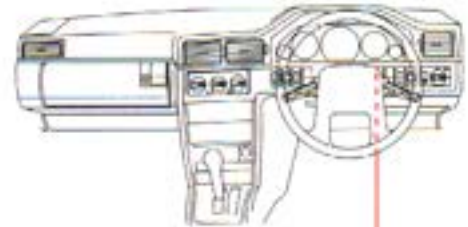
## Relays in the relay/fusebox, in the engine compartment



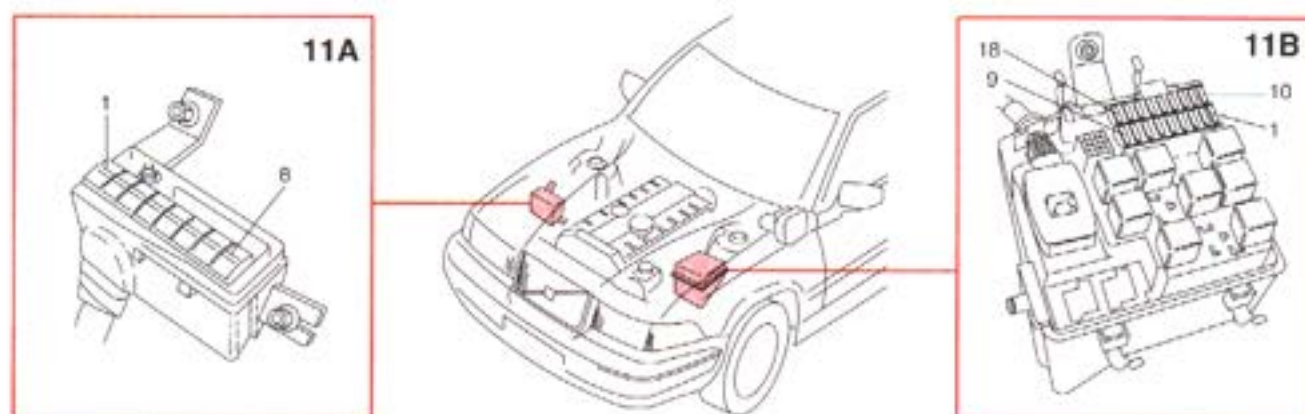
| Term. | Relay function   |
|-------|--|
| A     | Pulsed secondary air injection system (PAIR) pump (2/53) |
| B     | Spare  |
| C     | Fuel injection system main relay (2/32)                  |
| D     | Spare  |
| E     | Spare  |
| F     | A/C (2/22)   |
| G     | Front fog lamps (2/2)                                    |
| H     | Spare  |
| J     | Ignition coils (2/46)                                    |
| K     | Starter motor (2/35)                                     |
| L     | Dim/dip relay (2/3)                                      |
| M     | Marker lights/parking lights (2/61)                      |
| N     | Horn (2/17)  |

## Relays, other

- 2/1 Headlamp relay
- 2/11 Relay engine coolant fan (FC)
- 2/16 Intermittent tailgate wiper relay
- 2/20 Relay auto-down power window



## Fuses in engine compartment



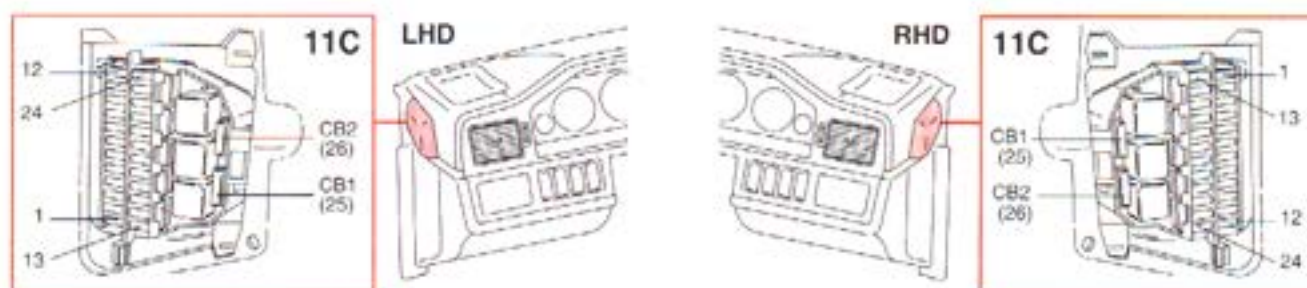
### Main Fuses, 11A, at battery

| No. | Fuse function   | A  |
|-----|---|----|
| 1   | Fuses 11C/1-11C/4, Overload relay X+  | 50 |
| 2   | Fuses 11C/13-11C/18, automatic fuse 11C/CB1, Relay front fog lamps              | 50 |
| 3   | Overload relay 15I+   | 50 |
| 4   | Fuse 11B/1, Fuses 11B/2-11B/7 (via main relay fuel injection system)            | 50 |
| 5   | ABS modulator   | 50 |
| 6   | Fuses 11B/16-11B/18, Starter motor relay, Air pump relay                        | 50 |
| 7   | Relay engine coolant fan (FC)   | 50 |
| 8   | Relay marker lights/parking lights, Main relay with bulb failure warning sensor | 50 |

### Fuses, 11B, in relay/fuse box in engine compartment

| No. | Fuse function  | A  |
|-----|--|----|
| 1   | Engine Control Module (ECM), Ignition switch, Control module AW30-40/43  | 5  |
| 2   | Relay A/C  | 5  |
| 3   | Heated oxygen sensors (HO2S), Pulsed secondary air injection system (PAIR) pump relay, Solenoid valve secondary air injection system, EVAP valve, EVAP canister shut-off valve | 15 |
| 4   | Relay fuel pump  | 15 |
| 5   | Injectors, Mass air flow (MAF) sensor, Idle air control (IAC) valve, Engine Control Module (ECM)   | 15 |
| 6   | Control module AW30-40/43  | 15 |
| 7   | Ignition coils   | 25 |
| 8   | Front fog lamps  | 25 |
| 9   | Spare  |    |
| 10  | Parking lamps, Number plate lamp, Tow hitch, Front fog lamps relay (not Japan, USA, Canada)  | 15 |
| 11  | Parking lamps, Tow hitch   | 15 |
| 12  | Left high beam, Front fog lamp relay (Japan)   | 15 |
| 13  | Right high beam, Warning light high beam, Accessory  | 15 |
| 14  | Left dipped beam   | 15 |
| 15  | Right dipped beam  | 15 |
| 16  | Solenoid switch air conditioning (A/C)   | 15 |
| 17  | Horn   | 15 |
| 18  | Accessory  |    |

## Fuses in the car passenger compartment



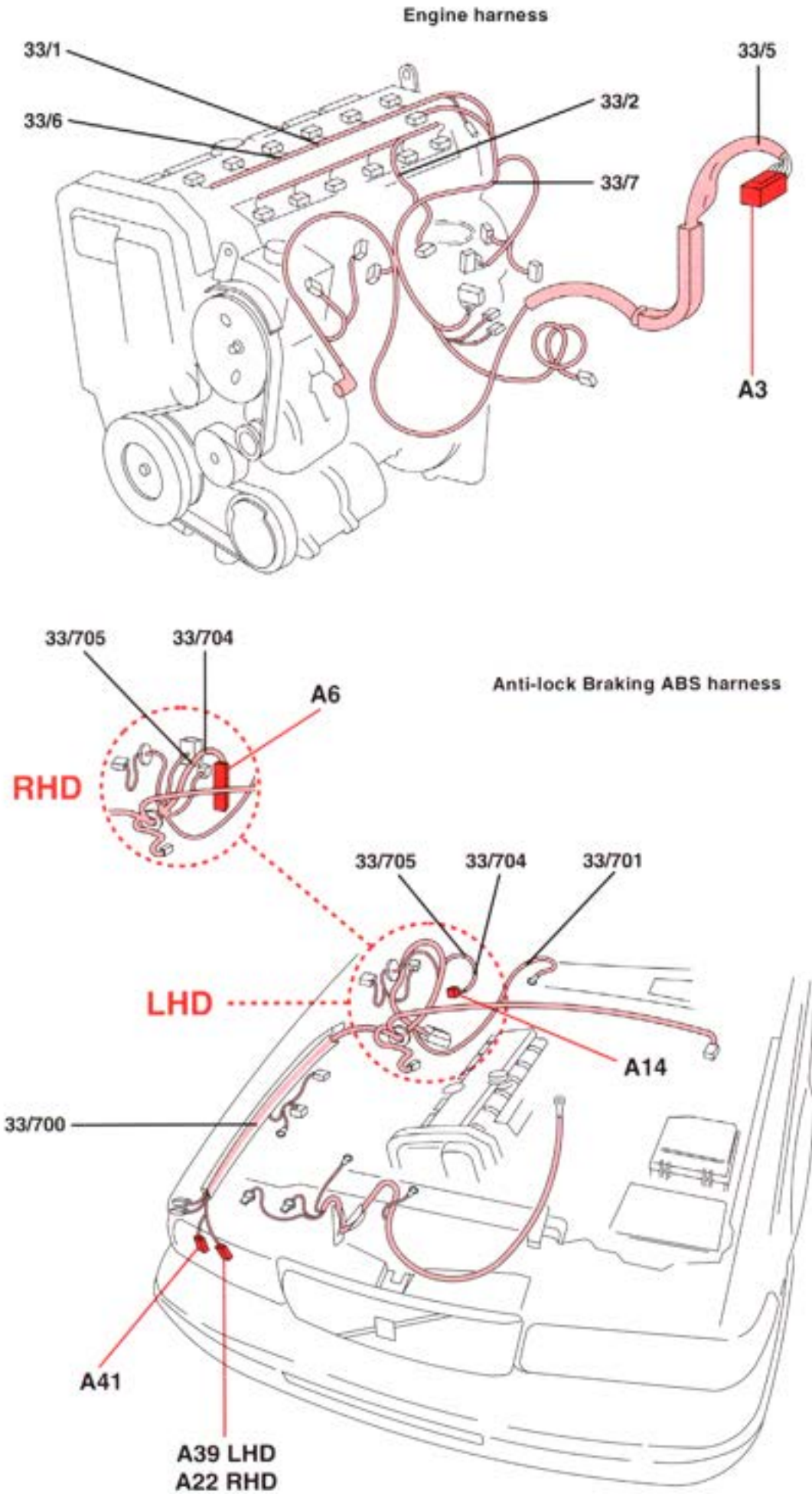
### Fuses, 11C, in fusebox in car passenger compartment

| No. | Fuse function  | Supply | A       |
|-----|--|--------|---------|
| 1   | Rear demist/door mirrors   | 30+    | 25 (30) |
| 2   | Anti-theft car alarm, Central locking  | 30+    | 20      |
| 3   | Stop (brake) lights, Light switch  | 30+    | 15      |
| 4   | Ignition switch, Electronic start inhibitor (Immobilizer)  | 30+    | 10      |
| 5   | Spare  | X+     |         |
| 6   | Windscreen wash/wipe, Headlight wash/wipe, Horn relay  | X+     | 25      |
| 7   | Climate unit   | X+     | 20      |
| 8   | Power passenger seat, Power door mirrors, Tailgate wash/wipe, Instrument and control panel lighting, Outside temperature sensor  | X+     | 15      |
| 9   | Radio  | X+     | 15      |
| 10  | Headlamp range adjustment, Cigarette lighter, Accessories  | X+     | 15      |
| 11  | Relay central locking/delayed interior lighting(40), Driving mode selector AW30-40/43, Electronic start inhibitor (Immobilizer), Gear selector position indicator (S90/V90), Alarm siren | 15A+   | 5       |
| 12  | ABS  | 15A+   | 5       |
| 13  | Clock, Courtesy lighting, Glove compartment lighting, Door open warning lamps, Cargo compartment lighting, Vanity mirror lighting, Glass breakage sensor                                 | 30+    | 10      |
| 14  | Anti-theft car alarm, Remote controlled central locking, Data link connector (DLC), Alarm siren  | 30+    | 10      |
| 15  | Power antenna, High beam, High beam flash, Tow hitch   | 30+    | 20      |
| 16  | Accessories  | 30+    | 20      |
| 17  | Turn indicators, Hazard flashers, Anti-theft car alarm, Remote controlled central locking  | 30+    | 20      |
| 18  | Radio, CD changer  | 30+    | 15      |
| 19  | Back-up (reversing) lamp, Turn signal lamp, Cruise control, Relay low beam (DIM-DIP)   | 15+    | 15      |
| 20  | Light switch   | 15+    | 15      |
| 21  | Seat belt reminder, Shift lock, Rear demist, Rear bulb failure warning sensor, Tow hitch, Exhaust temperature sensor   | 15+    | 5       |
| 22  | Heated seat left-hand side   | 15+    | 15      |
| 23  | Heated seat right-hand side  | 15+    | 15      |
| 24  | Rear foglight  | 15+    | 5       |

### Automatic fuses, 11C

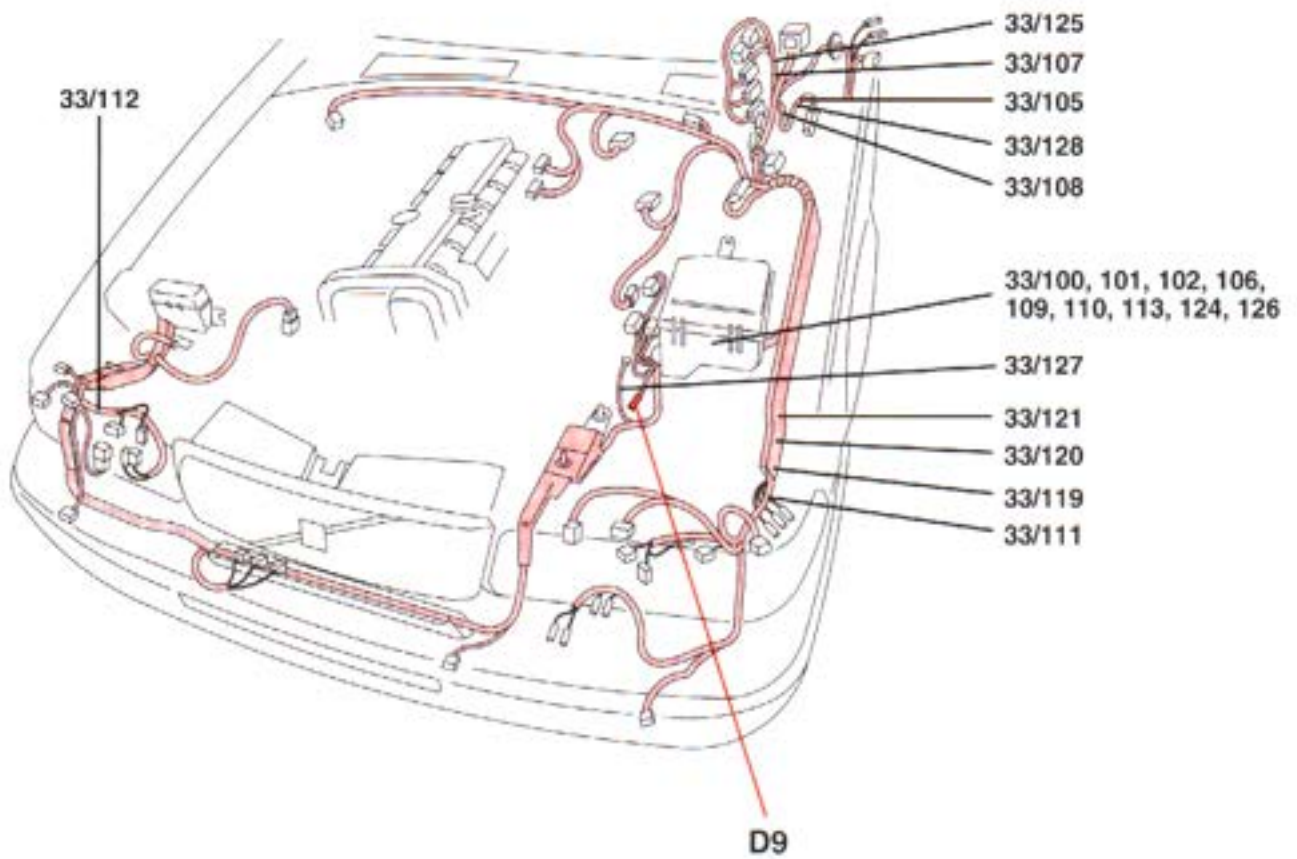
| No. | Fuse function                 | Supply | A  |
|-----|-------------------------------|--------|----|
| CB1 | Power seats                   | 30+    | 30 |
| CB2 | Power windows, Power sun roof | 15+    | 30 |

# Routing of cable harnesses in the car

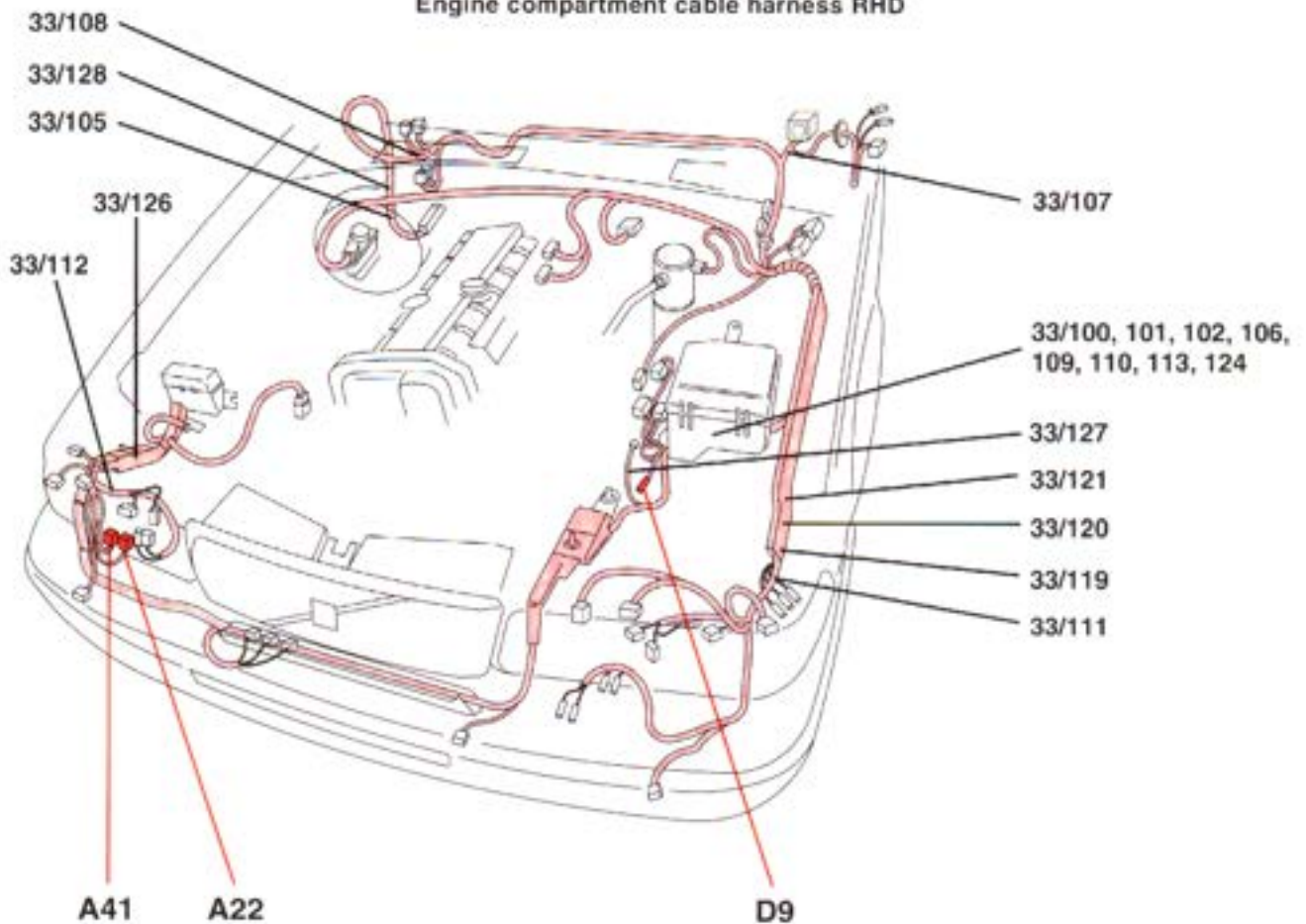


# Routing of cable harnesses in the car

## Engine compartment engine compartment LHD

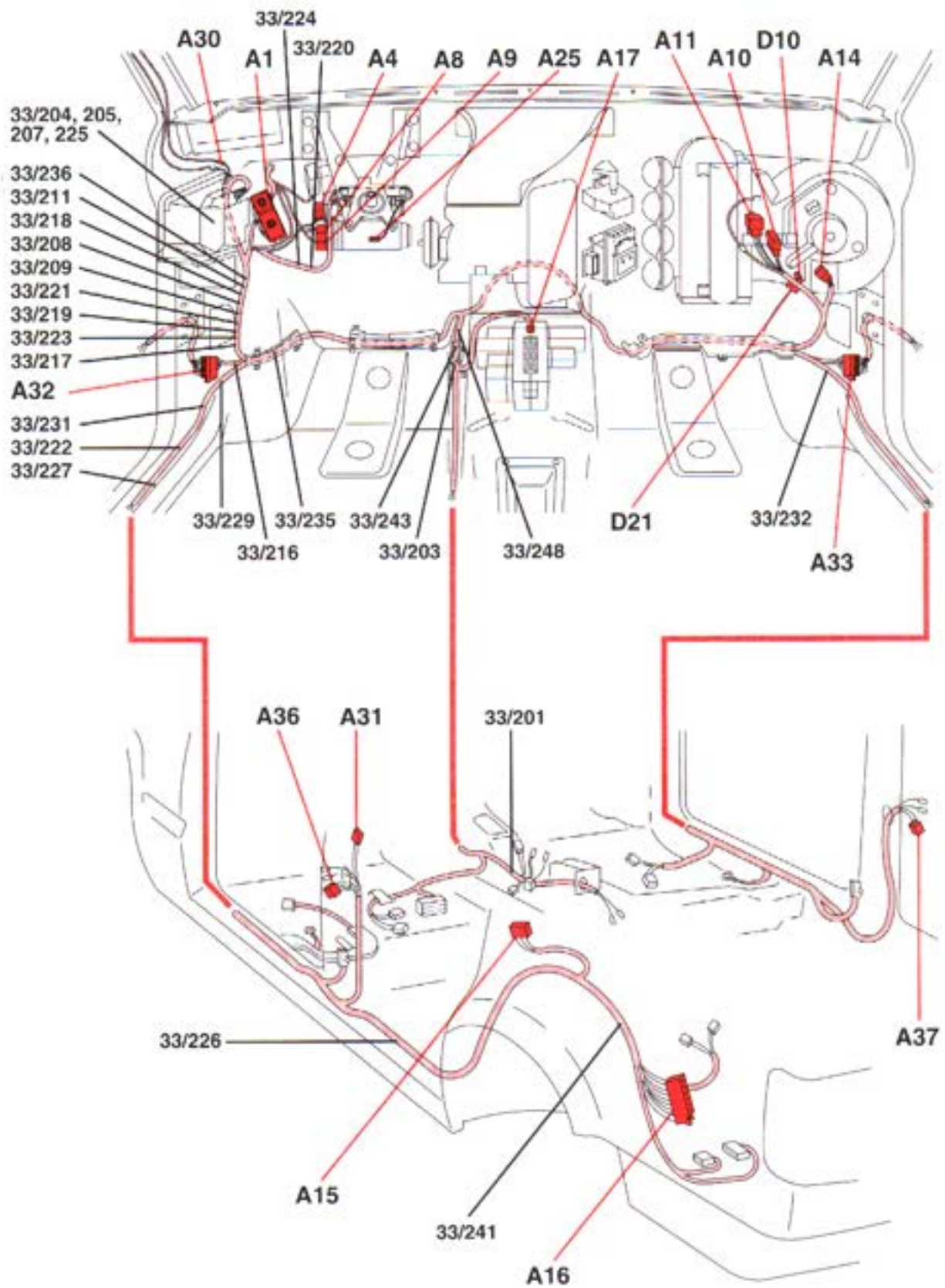


## Engine compartment cable harness RHD



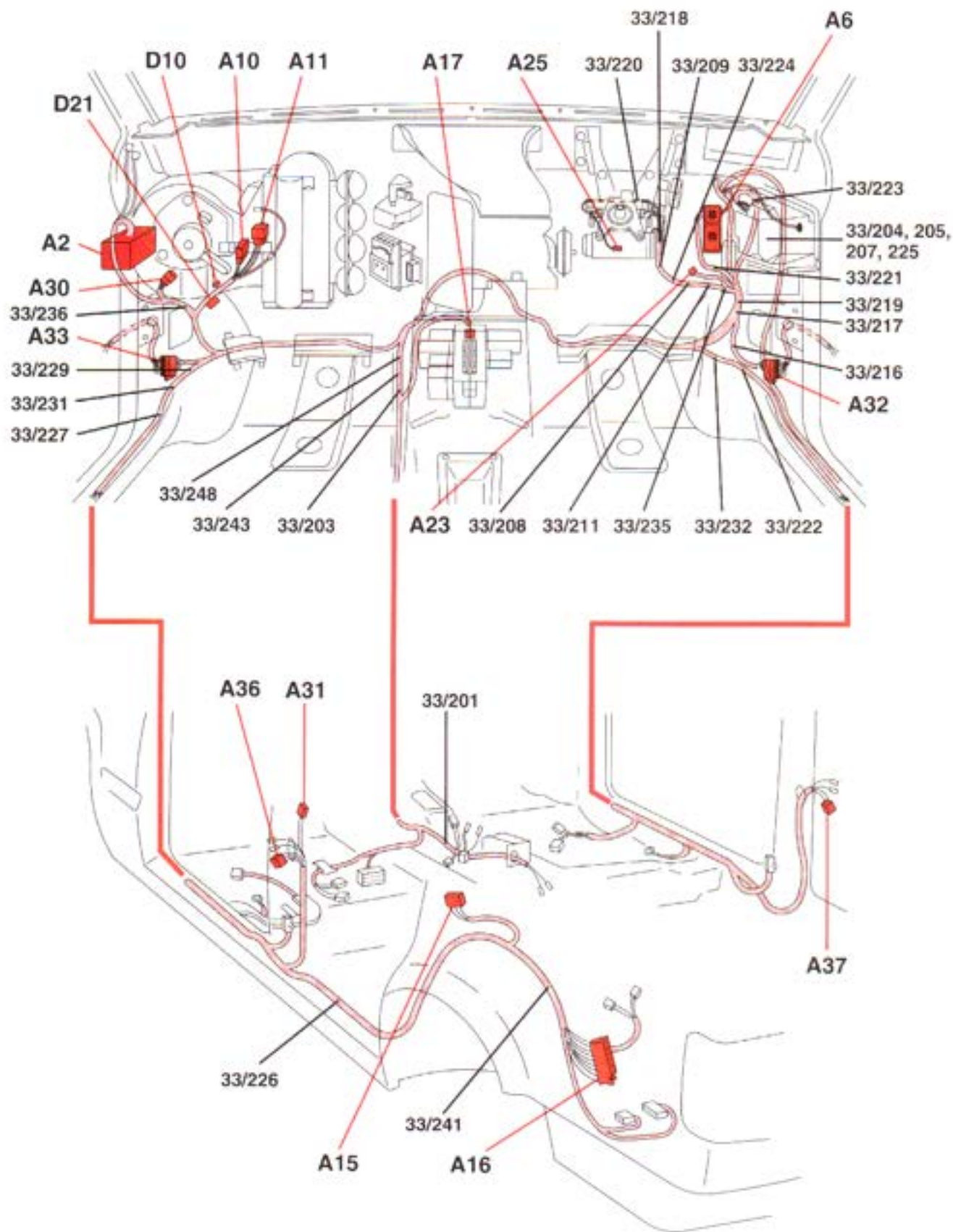
# Routing of cable harnesses in the car

Passenger compartment cable harness LHD



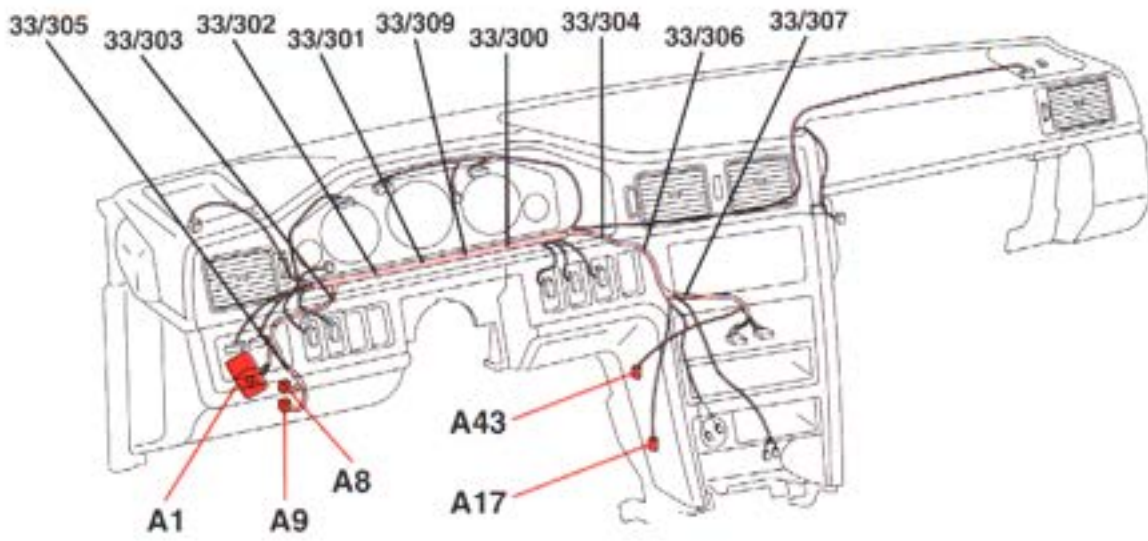
# Routing of cable harnesses in the car

Passenger compartment cable harness (RHD)

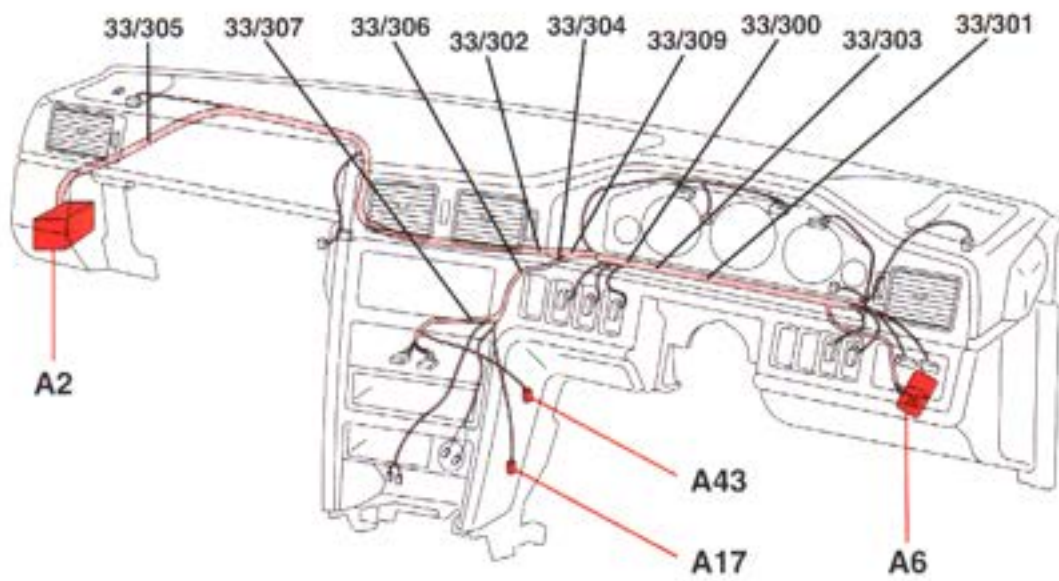


# Routing of cable harnesses in the car

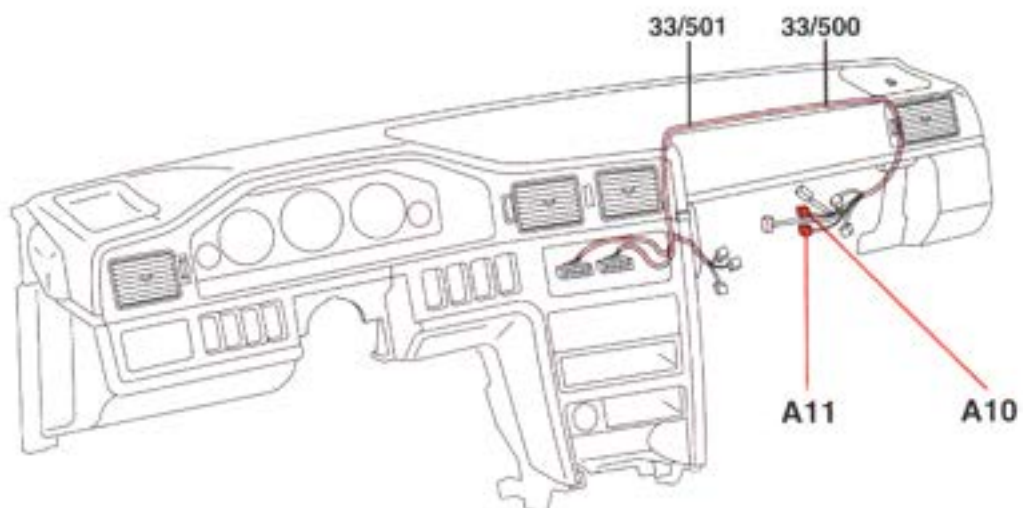
Dashboard cable harness LHD



Dashboard cable harness RHD

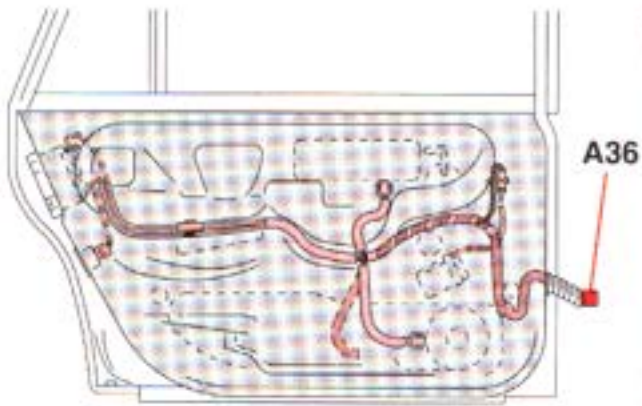


Climate control cable harness

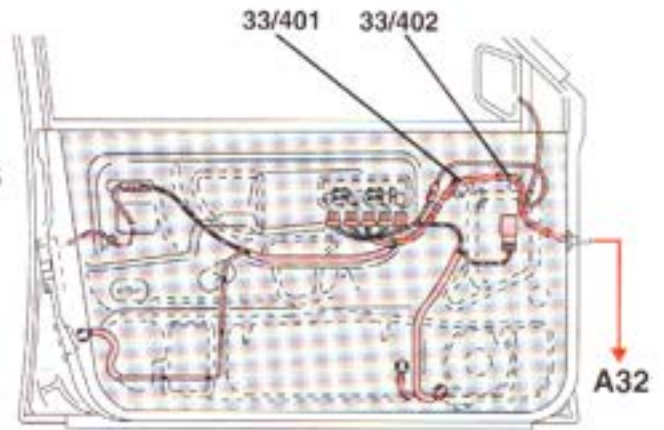


# Routing of cable harnesses in the car

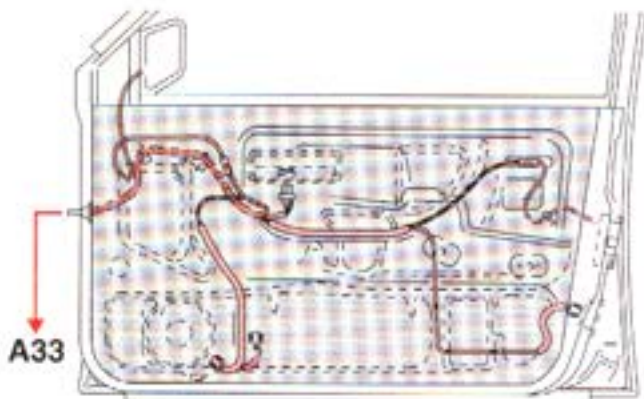
Left rear door harness



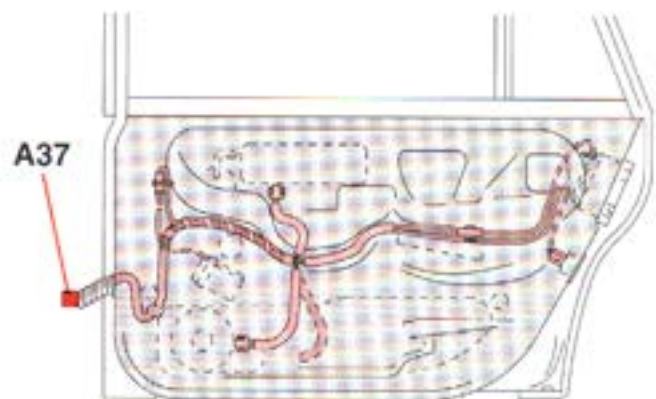
Driver door harness



Passenger door harness



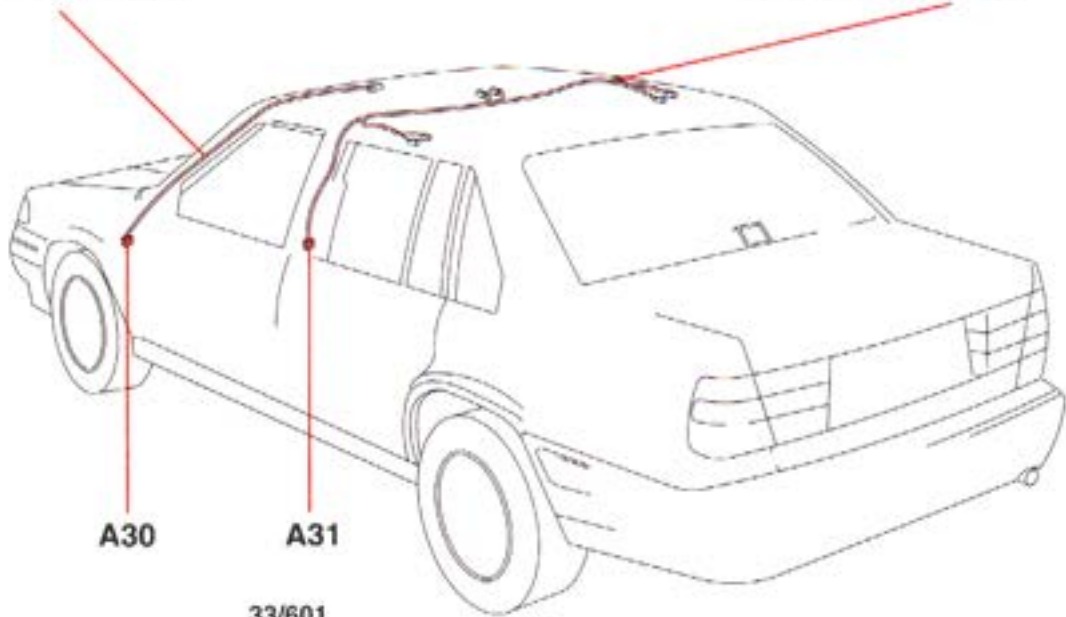
Right rear door harness



# Routing of cable harnesses in the car

Power sunroof harness

Interior lighting harness



A30

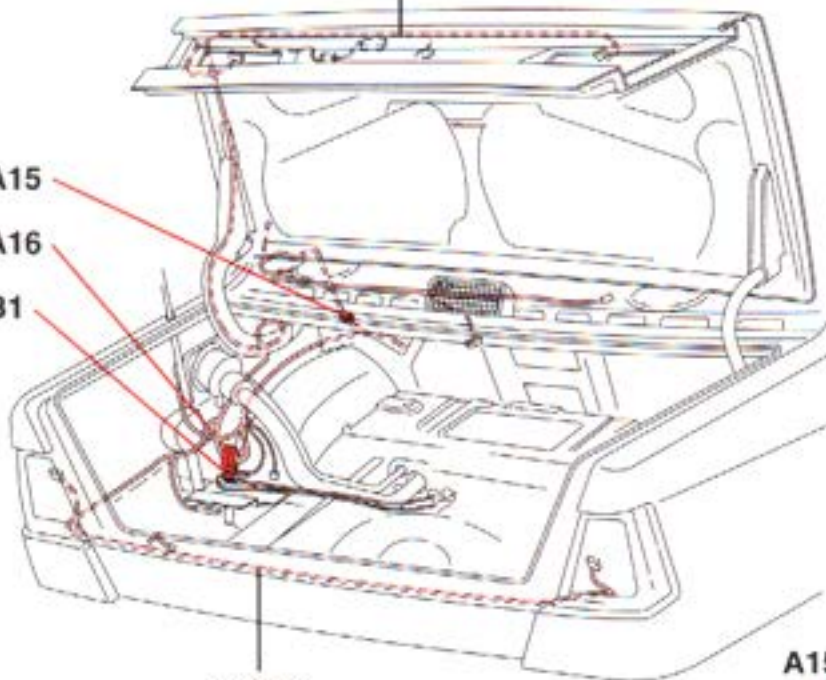
A31

33/601

A15

A16

B1



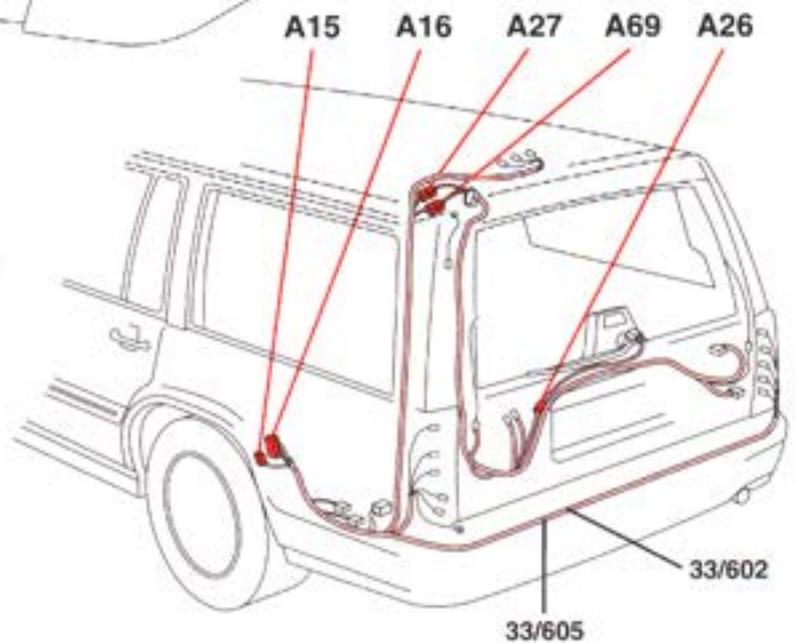
Cargo compartment harness  
4-door  
Parcel shelf harness  
4-door

33/602

Cargo compartment harness  
5-door

Tailgate harness  
5-door

High-mounted stop (brake) lamps harness  
5-door



A15

A16

A27

A69

A26

33/605

33/602

For junction point locations see  
Cable harness routing in car pages 14 - 20

**33/1 (Engine cable harness)**

| To/from  | Color | Note |
|--|-------|------|
| 2/46:3 Ignition coils relay<br>(via A3/E:1 in engine compartment integrated relay/fusebox) | GN-R  |      |
| 20/3:2- Spark plugs (with ignition coils)<br>20/8:2  | GN-R  |      |

**33/2 (Engine cable harness)**

| To/from   | Color | Note |
|---|-------|------|
| 33/106 Junction point<br>(via A3/E:14 in engine compartment integrated relay/fusebox) | GN    |      |
| 8/6:1- Injectors<br>8/11:1  | GN    |      |
| 8/5:2 Idle air control (IAC) valve  | GN    |      |

**33/5 (Engine cable harness)**

| To/from   | Color | Note |
|---|-------|------|
| 31/32 Ground terminal on engine (power ground)                | SB    |      |
| - Cable shield for ignition discharge module (IDM) 1 Motronic |       |      |
| - Cable shield for ignition discharge module (IDM) 2 Motronic |       |      |

**33/6 (Engine cable harness)**

| To/from   | Color | Note |
|---|-------|------|
| 4/38:1 Ignition discharge module (IDM) 1 Motronic | R-W   |      |
| 17/8 Service socket; kl 1, cyl 1 (engine)         | R-W   |      |
| 20/3:1 Spark plugs (with ignition coils)          | R-W   |      |

**33/7 (Engine cable harness)**

| To/from   | Color | Note |
|---|-------|------|
| 33/124 Junction point<br>(via A3/F:14 in engine compartment integrated relay/fusebox) | BL    |      |
| 7/15:1 Heated oxygen sensor (HO2S), front   | BL    |      |
| 7/82:1 Heated oxygen sensor (HO2S), rear  | BL    |      |

## Junction points

### 33/100 (Integrated relay/fusebox in engine compartment)

| To/from                                 | Color | Note |
|---|-------|------|
| 11A/4 Fuse, by battery                  | W     |      |
| 2/32:1 Fuel injection system main relay | W     |      |
| 2/32:2 Fuel injection system main relay | W     |      |
| 11B/1:1 Fuse, engine compartment        | W     |      |

### 33/101 (Integrated relay/fusebox in engine compartment)

| To/from  | Color | Note |
|--|-------|------|
| 11A/6 Fuse, by battery   | P     |      |
| 2/35:1 Starter motor relay                                     | P     |      |
| 2/53:1 Pulsed secondary air injection system (PAIR) pump relay | P     |      |
| 11B/18:1 Fuse, engine compartment                              | P     |      |

### 33/102 (Integrated relay/fusebox in engine compartment)

| To/from  | Color | Note |
|--|-------|------|
| 11A/8 Fuse, by battery                                 | BL    |      |
| 2/1A:1 Headlamp relay with bulb failure warning sensor | BL    |      |
| 2/61:1 Relay parking lamps                             | BL    |      |

### 33/105 (Engine compartment cable harness)

| To/from   | Color | Note     |
|---|-------|----------|
| 4/46B:8 Engine control module (ECM)   | GN-GR | Only 960 |
| 7/16:2 Engine coolant temperature (ECT) sensor fuel/ignition system<br>(via A3/E:10 in engine compartment integrated relay/fusebox) | GN-R  |          |
| 7/21:1 Camshaft position (CMP) sensor   | GN-GR |          |
| 7/54:1 Throttle position (TP) sensor<br>(via A3/F:8 in engine compartment integrated relay/fusebox)                                 | GN-R  |          |
| 4/46A:18 Engine control module (ECM)  | GN-GR |          |
| 7/105:2 Outside temperature sensor  | GN-GR |          |
| 7/84:5(2) fuel tank pressure sensor<br>(via A1/A:12 by left A-post)   | GN-GR |          |

**33/106 (Integrated relay/fusebox in engine compartment)**

| To/from   | Color | Note |
|---|-------|------|
| 11B/5:2 Fuse, engine compartment  | GN    |      |
| 4/46A:27 Engine control module (ECM)  | GN    |      |
| 7/17:3 Mass air flow (MAF) sensor   | GN    |      |
| 33/2 Junction point<br>(via A3/E:14 in engine compartment integrated relay/fusebox) | GN    |      |

**33/107 (Engine compartment cable harness)**

| To/from   | Color | Note |
|---|-------|------|
| 31/66 Left seat support ground terminal<br>(LHD: (via A1/B:3 at left A-post)<br>(RHD: (via A2/B:3 at left A-post) | SB    |      |
| 3/62:B Alarm switch hood  | SB    |      |
| 4/28:1 AW 30-40/43 control module   | SB    |      |
| 10/15:2 Left side turn signal flasher   | SB    |      |

**33/108 (Engine compartment cable harness)**

| To/from   | Color | Note |
|---|-------|------|
| 11B/1:2 Fuse, engine compartment  | Y-R   |      |
| 3/1:30I Ignition switch<br>(LHD: (via A1/A:1 at left A-post)<br>(RHD: Via A6/E:2 to the right of steering column) | Y-R   |      |
| 4/46A:26 Engine control module (ECM)  | Y-R   |      |
| 4/28:30 AW 30-40/43 control module  | Y-R   |      |

**33/109 (Integrated relay/fusebox in engine compartment)**

| To/from  | Color | Note |
|--|-------|------|
| 33/127 Junction point  | BN    |      |
| 3/42:2 Kickdown switch (KD)  | BN    |      |
| 4/46A:42 Engine control module (ECM)   | BN    |      |
| 17/13:5 Data link connector (DLC)<br>(LHD: (via A1/A:18 at left A-post)<br>(RHD: (via A2/A:18 at left A-post)  | BN    |      |
| 4/28:15 AW 30-40/43 control module   | BN    |      |
| 4/22:8 Electronic park/neutral position (PNP) switch control module<br>(LHD: (via A1/A:7 at left A-post)<br>(RHD: (via A6/F:3 to right of steering column) | BN    |      |

## Junction points

### 33/110 (Integrated relay/fusebox in engine compartment)

|         | To/from  | Color | Note |
|---------|--|-------|------|
| 11B/8:2 | Fuse, engine compartment   | W-SB  |      |
| 3/99:6  | Front fog lamps switch ground terminal<br>(LHD: Via A8:13<br>engine compartment cable harness - dashboard cable<br>harness<br>(RHD: Via A2/E:5 at left A-post) | W-SB  |      |
| 10/5:1  | Left front fog lamp  | W-SB  |      |
| 10/6:1  | Right front fog lamp   | W-SB  |      |

### 33/111 (Engine compartment cable harness)

|         | To/from   | Color | Note    |
|---------|---|-------|---------|
| 31/2    | Ground left front fender                        | SB    |         |
| 2/1A:8  | Headlamp relay with bulb failure warning sensor | SB    |         |
| 6/2:2   | Front washer motor                              | SB    |         |
| 6/4:3   | Left headlamp wiper motor                       | SB    |         |
| 6/30:2  | Rear windshield washer motor                    | SB    |         |
| 7/4:2   | Brake fluid level switch                        | SB    |         |
| 7/5:2   | Washer fluid level sensor                       | SB    |         |
| 10/1:4  | Left headlamp                                   | SB    |         |
| 10/5:2  | Left front fog lamp                             | SB    |         |
| 10/9:3  | Left front parking lamp and turn signal lamp    | SB    | USA/CDN |
| 10/13:3 | Left front turn signal lamp                     | SB    | EU/OS   |

### 33/112 (Engine compartment cable harness)

|         | To/from                                       | Color | Note    |
|---------|---|-------|---------|
| 31/1    | Ground right front fender                     | SB    |         |
| 6/3:3   | Right headlamp wiper motor                    | SB    |         |
| 10/2:4  | Right headlamp                                | SB    |         |
| 10/6:2  | Right front fog lamp                          | SB    |         |
| 10/10:3 | Right front parking lamp and turn signal lamp | SB    | USA/CDN |
| 10/14:3 | Right front turn signal lamp                  | SB    | EU/OS   |

### 33/113 (Integrated relay/fusebox in engine compartment)

|          | To/from                        | Color | Note    |
|----------|--------------------------------|-------|---------|
| 11B/10:2 | Fuse, engine compartment       | W     |         |
| A13:1    | Fog lamp connector wiring loop | W     |         |
| 10/9:1   | Left front parking lamp        | W     | USA/CDN |
| 10/1:3   | Left front parking lamp        | W     | EU/OS   |

### 33/119 (Engine compartment cable harness)

| To/from |   | Color | Note |
|---------|---|-------|------|
| 33/303  | Junction point<br>(LHD: Via A8:5<br>engine compartment cable harness - dashboard cable<br>harness<br>(RHD: Via A2/F:4 at left A-post) | GR-R  |      |
| 6/38:B1 | Left headlamp range adjustment motor  | GR-R  |      |
| 6/39:B1 | Right headlamp range adjustment motor   | GR-R  |      |

### 33/120 (Engine compartment cable harness)

| To/from |   | Color | Note |
|---------|---|-------|------|
| 33/301  | Junction point<br>(LHD: Via A8:7<br>engine compartment cable harness - dashboard cable<br>harness<br>(RHD: (via A2/F:10 at left A-post) | SB    |      |
| 6/38:A  | Left headlamp range adjustment motor  | SB    |      |
| 6/39:A  | Right headlamp range adjustment motor   | SB    |      |

### 33/121 (Engine compartment cable harness)

| To/from |   | Color | Note |
|---------|---|-------|------|
| 3/59:4  | Headlamp range adjuster<br>(LHD: Via A8:6<br>engine compartment cable harness - dashboard cable<br>harness<br>(RHD: (via A2/F:5 at left A-post) | GR    |      |
| 6/38:B2 | Left headlamp range adjustment motor  | GR    |      |
| 6/39:B2 | Right headlamp range adjustment motor   | GR    |      |

### 33/124 (Engine compartment cable harness)

| To/from |  | Color | Note |
|---------|--|-------|------|
| 11B/3:2 | Fuse, engine compartment   | BL    |      |
| 33/7    | Junction point<br>(via A3/F:14 in engine compartment integrated relay/fusebox) | BL    |      |
| 8/16:1  | PAIR system solenoid valve   | BL    |      |
| 8/18:1  | Canister purge (CP) valve  | BL    |      |
| 2/53:2  | Pulsed secondary air injection system (PAIR) pump relay                        | BL    |      |

## Junction points

### 33/125 (Engine compartment cable harness)

| To/from  |   | Color | Note |
|----------|---|-------|------|
| 34/18:3  | Terminal block in relay box passenger compartment<br>(via A1/A:19 by left A-post) | Y     |      |
| 4/46B:36 | Engine control module (ECM)   | Y     |      |
| 4/28:21  | AW 30-40/43 control module  | Y     |      |

### 33/126 (LHD: Integrated relay/fusebox in engine compartment) (RHD: (Engine compartment cable harness)

| To/from |   | Color | Note |
|---------|---|-------|------|
| 11A/2   | Fuse, by battery  | Y     |      |
| 2/2:1   | Fog lamp relay  | Y     |      |
| 33/205  | Junction point<br>(LHD: Via A4:1<br>engine compartment cable harness - passenger compartment<br>cable harness<br>(RHD: Via A22:1<br>engine compartment cable harness - ABS cable harness<br>and A23:3<br>passenger compartment cable harness - ABS cable harness) | Y     |      |

### 33/127 (Engine compartment cable harness)

| To/from  |   | Color | Note |
|----------|---|-------|------|
| 31/53    | Ground terminal, left side member in engine compartment | SB    |      |
| 33/109   | Junction point (engine compartment cable harness)       | BN    |      |
| 4/46A:13 | Engine control module (ECM)                             | SB    |      |
| 4/46A:28 | Engine control module (ECM)                             | SB    |      |

### 33/128 (Engine compartment cable harness)

| To/from  |  | Color | Note |
|----------|--|-------|------|
| 4/46A:17 | Engine control module (ECM)  | BL-R  |      |
| 7/23:2   | Rear knock sensor (KS)<br>(via A3/D:4 in engine compartment integrated relay/fusebox)  | BL-R  |      |
| 7/24:2   | Front knock sensor (KS)<br>(via A3/F:4 in engine compartment integrated relay/fusebox) | BL-R  |      |

**33/201 (Passenger compartment cable harness)**

| To/from  |   | Color | Note |
|----------|---|-------|------|
| 34/19:8  | Terminal block by parking brake bracket | SB    |      |
| 34/19:19 | Terminal block by parking brake bracket | SB    |      |
| 34/19:20 | Terminal block by parking brake bracket | SB    |      |

**33/203 (Passenger compartment cable harness)**

| To/from |  | Color | Note |
|---------|--|-------|------|
| 33/232  | Junction point   | SB    |      |
| 2/7A:2  | Central locking/delayed interior lighting relay  | SB    |      |
| 3/100:1 | Driver's door lock unit<br>(via A32:12<br>passenger compartment cable harness - driver's door cable harness) | SB    |      |
| 17/13:4 | Data link connector (DLC)  | SB    | LHD  |
| 9/22A:2 | Left-hand side seat heater   | SB    | LHD  |
| 9/22A:2 | Right-hand side seat heater  | SB    | RHD  |
| 2/105:5 | Driver's door relay, 2 stage central locking   | SB    |      |

**33/204 (Fusebox in passenger compartment)**

| To/from |   | Color | Note |
|---------|---|-------|------|
| 11A/1   | Fuse, by battery<br>(LHD: Via A4:2<br>engine compartment cable harness - passenger compartment cable harness<br>(RHD: Via A23:2<br>passenger compartment cable harness - ABS cable harness and A41:1<br>ABS cable harness - engine compartment cable harness) | R     |      |
| 2/30:1  | Overload relay +X   | R     |      |
| 11C/1   | Fuse, passenger compartment   | R     |      |
| 11C/3   | Fuse, passenger compartment   | R     |      |

## Junction points

### 33/205 (Fusebox in passenger compartment)

| To/from  |   | Color | Note |
|----------|---|-------|------|
| 33/126   | Junction point<br>(LHD: Via A4:1<br>engine compartment cable harness - passenger compartment<br>cable harness<br>(RHD: Via A23:2<br>passenger compartment cable harness - ABS cable harness<br>and A22:1<br>engine compartment cable harness - ABS cable harness) | Y     |      |
| 11C/14:1 | Fuse, passenger compartment   | Y     |      |
| 11C/17:1 | Fuse, passenger compartment   | Y     |      |
| 11C/CB:1 | Automatic fuse, passenger compartment   | Y     |      |

### 33/207 (Fusebox in passenger compartment)

| To/from   |                                       | Color | Note |
|-----------|---------------------------------------|-------|------|
| 2/6:3     | Overload relay +15l                   | P     |      |
| 11C/20:1  | Fuse, passenger compartment           | P     |      |
| 11C/22:1  | Fuse, passenger compartment           | P     |      |
| 11C/CB2:1 | Automatic fuse, passenger compartment | P     |      |

### 33/208 (Passenger compartment cable harness)

| To/from  |   | Color | Note |
|----------|---|-------|------|
| 3/1:15A  | Ignition switch   | R-SB  |      |
| 2/28B:4  | Anti-theft alarm relay  | R-SB  |      |
| 5/1A:2   | Combined instrument panel<br>(LHD: (via A1/C:5 at left A-post)<br>(RHD: Via A6/A:8 to the right of steering column) | R-SB  |      |
| 11C/11:1 | Fuse, passenger compartment   | R-SB  |      |

## 33/209 (Passenger compartment cable harness)

|         | To/from  | Color | Note |
|---------|--|-------|------|
| 6/26:D+ | Generator (GEN)<br>(LHD: Via A1/B:2 at left A-post<br>and A3/D:2 in integrated relay/fusebox engine compartment)<br>(RHD: Via A6/E:4 to the right of steering column<br>and A3/D:2 in integrated relay/fusebox engine compartment) | R     |      |
| 4/6A:20 | ECC control module<br>(via A10:5<br>passenger compartment cable harness - climate control cable<br>harness)  | R     |      |
| 4/9:12  | Supplemental Restraint System Crash Sensor   | R     |      |
| 4/16:15 | ABS control module<br>(LHD: Via A14:6<br>ABS cable harness - passenger compartment cable harness<br>(RHD: (via A6/C:8 to right of steering column)   | R     |      |
| 5/1C:3  | Combined instrument panel<br>(LHD: (via A1/C:3 at left A-post)<br>(RHD: (via A6/A:18 to right of steering column)  | R     |      |

## 33/211 (Passenger compartment cable harness)

|                | To/from   | Color | Note |
|----------------|---|-------|------|
| 3/9:2          | Stop (brake) lamp switch  | Y-BN  |      |
| 4/3B:6         | Control module cruise control   | Y-BN  |      |
| 4/16:25        | ABS control module<br>(LHD: Via A14:5<br>ABS cable harness - passenger compartment cable harness<br>(RHD: Via A6/C:7 to the right of steering column) | Y-BN  |      |
| 4/28:5         | Automatic transmission control module<br>(LHD: (via A1/A:15 at left A-post)<br>(RHD: Via A2/A:15 at left A-post)                                      | Y-BN  |      |
| 7/1:12<br>D5:6 | Rear bulb failure warning sensor<br>Tow hitch connector<br>(via A16:13<br>passenger compartment cable harness - cargo compartment<br>cable harness)   | Y-BN  |      |

## Junction points

### 33/216 (Passenger compartment cable harness)

| To/from  | Color | Note |
|--|-------|------|
| 11C/CB2:2 Automatic fuse, passenger compartment  | Y-R   |      |
| 3/20:4 Front passenger side power window switch<br>(via A33:24<br>passenger compartment cable harness - passenger door<br>cable harness) | Y-R   |      |
| 3/25:4 Power sun roof switch<br>(LHD: (via A1/C:13 at left A-post)<br>(RHD: Via A6/B:18 to the right of steering column)                 | Y-R   |      |
| 33/402 Junction point<br>(via connector A32:20<br>passenger compartment cable harness - driver's door cable<br>harness)                  | Y-R   |      |

### 33/217 (Passenger compartment cable harness)

| To/from  | Color | Note |
|--|-------|------|
| 11C/21:2 Fuse, passenger compartment   | Y-GR  |      |
| 2/5:4 Seat belt reminder/key warning relay   | Y-GR  |      |
| 2/15:2 Exhaust temperature sensor relay  | Y-GR  |      |
| 2/44:1 Rear windshield/door mirror heating relay   | Y-GR  |      |
| 3/9:4 Stop (brake) lamp switch   | Y-GR  |      |
| 5/1A:7 Seat belt indicator lamp<br>(LHD: (via A1/E:4 at left A-post)<br>(RHD: Via A6/C:22 to the right of steering column)                                     | Y-GR  |      |
| 7/1:8 Rear bulb failure warning sensor<br>D5:10 Tow hitch connector<br>(via A16:4<br>passenger compartment cable harness - cargo compartment<br>cable harness) | Y-GR  |      |

### 33/218 (Passenger compartment cable harness)

| To/from  | Color | Note |
|--|-------|------|
| 11C/6:2 Fuse, passenger compartment  | Y     |      |
| 2/4:3 Windshield wiper intermittent relay  | Y     |      |
| 3/12:5 Windshield wiper/washer switch  | Y     |      |
| 6/1:1 Windshield wiper motor   | Y     |      |
| 34/42:6 Terminal block in integrated relay/fusebox engine compartment<br>(LHD: Via A1/A:23 at left A-post)<br>(RHD: Via A2/A:6 at left A-post) | Y     |      |

## 33/219 (Passenger compartment cable harness)

|          | To/from   | Color | Note |
|----------|---|-------|------|
| 11C/13:2 | Fuse, passenger compartment   | GN-R  |      |
| 10/30:1  | Driver's door door open warning lamp<br>(via A32:1 passenger compartment cable harness - driver's door cable harness)   | GN-R  |      |
| 10/31:1  | Front passenger side door open warning lamp<br>(via A33:1 passenger compartment cable harness - front passenger door cable harness)   | GN-R  |      |
| 10/32:1  | Left rear door open warning lamp<br>(LHD: Via A32:1 passenger compartment cable harness - driver's door cable harness<br>and A36:3 passenger compartment cable harness - left rear door cable harness)<br>(RHD: Via A33:1 passenger compartment cable harness - passenger door cable harness and A36:3 passenger compartment cable harness - left rear door cable harness)            | GN-R  |      |
| 10/33:1  | Right rear door open warning lamp<br>(LHD: Via A33:1 passenger compartment cable harness - front passenger door cable harness and A37:3 passenger compartment cable harness - right rear door cable harness)<br>(RHD: Via A32:1 passenger compartment cable harness - driver's door cable harness and A37:3 passenger compartment cable harness - right rear door cable harness) GN-R | GN-R  |      |
| 10/114:1 | Vanity mirror lighting left-hand side   | GN-R  |      |
| 10/125:1 | Courtesy lighting left-hand side  |       |      |
| 10/115:1 | Vanity mirror lighting right-hand side  | GN-R  |      |
| 10/126:1 | Courtesy lighting right-hand side   |       |      |
| 10/24:1  | Cargo compartment lighting  | GN-R  |      |
| 10/25:1  | Cargo compartment roof lamp<br>(via A31 passenger compartment cable harness - interior lighting cable harness and A15 passenger compartment cable harness - parcel shelf cable harness (4DRS)/cargo compartment cable harness(5DRS)   | GN-R  |      |
| 10/22:4  | Roof lamp   | GN-R  |      |
| 10/26:1  | Left rear reading lamp  | GN-R  |      |
| 10/27:1  | Right rear reading lamp<br>(via A31 passenger compartment cable harness - interior lighting cable harness)  | GN-R  |      |

## Junction points

### 33/220 (Passenger compartment cable harness)

| To/from   | Color | Note    |
|---|-------|---------|
| 2/28A:3 Anti theft alarm relay  | GN    |         |
| 3/3:3 Turn signal lamp/high and low beam switch   | GN    |         |
| 3/6:5 Hazard warning signal flasher with flash relay switch   | GN    |         |
| 5/1B:14 Left turn signal lamp indicator lamp<br>(LHD: Via A1/D:8 at left A-post)<br>(RHD: Via A2/D:1 at left A-post)          | GN    |         |
| 10/9:2 Left front turn signal lamp<br>(via A1/B:17 at left A-post)  | GN    | USA/CDN |
| 10/15:1 Left side turn signal flasher<br>(LHD: Via A1/B:8 at left A-post)<br>(RHD: Via A6/F:9 to right of steering column)    | GN    |         |
| 10/13:2 Left front turn signal lamp<br>(LHD: Via A1/B:17 at left A-post)<br>(RHD: Via A6/F:7 to the right of steering column) | GN    | EU/OS   |
| 10/18:3K Left rear turn signal lamp   | GN    | 4DRS    |
| 10/18:4 Left rear turn signal lamp  | GN    | 5DRS    |
| D5:1 Tow hitch connector<br>(via connector A16:7passenger compartment cable harness -<br>cargo compartment cable harness)     | GN    |         |

### 33/221 (Passenger compartment cable harness)

| To/from   | Color | Note    |
|---|-------|---------|
| 2/28A:5 Anti theft alarm relay  | BL-GN |         |
| 3/3:7 Turn signal lamp/high and low beam switch   | BL-GN |         |
| 3/6:4 Hazard warning signal flasher with flash relay switch   | BL-GN |         |
| 5/1A:1 Right turn signal lamp indicator lamp<br>(LHD: Via A1/D:9 at left A-post)<br>(RHD: Via A2/D:2 at left A-post)  | BL-GN |         |
| 10/14:2 Right front turn signal lamp<br>(LHD: Via A1/B:18 at left A-post)<br>(RHD: Via A6/F:8 to the right of steering column)  | BL-GN | EU/OS   |
| 10/16:1 Right side turn signal flasher<br>(LHD: Via A14:8<br>ABS cable harness - passenger compartment cable harness<br>(RHD: Via A6/C:9 to the right of steering column) | BL-GN |         |
| 10/10:2 Right front turn signal lamp<br>(via A1/B:18 at left A-post)  | BL-GN | USA/CDN |
| 10/17:3K Right rear turn signal lamp  | BL-GN | 4DRS    |
| 10/17:4 Right rear turn signal lamp   | BL-GN | 5DRS    |
| D5:4 Tow hitch connector<br>(via connector A16:8<br>passenger compartment cable harness - cargo compartment<br>cable harness)   | BL-GN |         |

**33/222 (Passenger compartment cable harness)**

| To/from |  | Color | Note |
|---------|--|-------|------|
| 3/22:2  | Contact breaker for rear power windows<br>(via A32:19 passenger compartment cable harness - driver's door cable harness) | P     |      |
| 3/85:4  | Left rear door power window switch<br>(via A36:5 passenger compartment cable harness - left rear door cable harness)     | P     |      |
| 3/86:4  | Right rear door power window switch<br>(via A37:5 passenger compartment cable harness - right rear door cable harness)   | P     |      |

**33/223 (Passenger compartment cable harness)**

| To/from |  | Color | Note |
|---------|--|-------|------|
| 11C/8:2 | Fuse, passenger compartment  | OR    |      |
| 2/16:3  | Intermittent relay tailgate wiper<br>(via A16:1 passenger compartment cable harness - cargo compartment cable harness)             | OR    |      |
| 3/13:4  | Tailgate wiper/washer switch   | OR    |      |
| 3/24:2  | Passenger side power door mirror switch  | OR    |      |
| 3/23:2  | Driver's side power door mirror switch<br>(via connector A32:10 passenger compartment cable harness - driver's door cable harness) | OR    |      |
| 3/27:2  | Passenger seat control unit  | OR    |      |

## Junction points

### 33/224 (Passenger compartment cable harness)

|          | To/from  | Color | Note                   |
|----------|--|-------|------------------------|
| 11C/19:2 | Fuse, passenger compartment  | BL-Y  |                        |
| 3/4:2    | Cruise control control   | BL-Y  |                        |
| 3/6:9    | Hazard warning signal flasher with flasher relay switch<br>(LHD: Via A1/D:10 at left A-post)<br>(RHD: Via A6/A:10 to right of steering column)   | BL-Y  |                        |
| 3/10:1   | Back-up (reversing) lamp switch<br>(LHD: Via A1/B:9 at left A-post<br>and A3/C:14 in integrated relay/fusebox engine compartment)<br>(RHD: Via A6/F:2 to the right of steering column<br>and A3/C:14 in integrated relay/fusebox engine compartment) | BL-Y  | Manual transmission    |
| 3/71:1   | Gear-shift position sensor<br>(LHD: Via A1/B:9 at left A-post<br>and A3/C:14 in integrated relay/fusebox engine compartment)<br>(RHD: Via A6/F:2 to the right of steering column<br>and A3/C:14 in integrated relay/fusebox engine compartment)      | BL-Y  | Automatic transmission |
| 4/3B:1   | Control module cruise control  | BL-Y  |                        |
| 2/3:1    | DIM-DIP relay<br>via A6/E:1)   | BL-Y  |                        |

### 33/225 (Fusebox in passenger compartment)

|           | To/from  | Color | Note |
|-----------|--|-------|------|
| 11C/CB1:2 | Automatic fuse, passenger compartment                | R-SB  |      |
| 3/27:1    | Passenger seat control unit                          | R-SB  |      |
| 4/52A:1   | Power seat with memory control module, driver's side | R-SB  |      |

### 33/226 (Passenger compartment cable harness)

|         | To/from  | Color | Note |
|---------|--|-------|------|
| 31/66   | Ground terminal left seat support  | SB    |      |
| 4/52A:3 | Power seat with memory control module, driver's side   | SB    | LHD  |
| 6/34:4/ | Power antenna/   | SB    |      |
| 16/16:4 | Antenna amplifier (window antenna)   |       |      |
| 10/22:1 | Roof lamp  | SB    |      |
| 10/26:2 | Left rear reading lamp   | SB    |      |
| 10/27:2 | Right rear reading lamp<br>(via A31:2<br>passenger compartment cable harness - interior lighting cable<br>harness) | SB    |      |
| D5:3    | Tow hitch connector  | BN    |      |
| 7/100:1 | Tilt sensor  | SB    |      |
| 3/27:3  | Passenger seat control unit  | SB    | RHD  |

## 33/227 (Passenger compartment cable harness)

| To/from  | Color | Note                      |
|--|-------|---------------------------|
| 31/66 Ground terminal left seat support  | SB    |                           |
| 3/13:3 Tailgate wiper/washer switch  | SB    | LHD                       |
| 4/3B:3 Control module cruise control   |       | SB                        |
| 5/1B:5 Combined instrument panel<br>(LHD: Via A1/C:12 at left A-post)<br>(RHD: Via A2/C:14 at left A-post)                       | SB    |                           |
| 6/33-2:4 Fuel pump (FP)  | SB    |                           |
| 9/1:1 Cigarette lighter<br>(via A1/F:1 at left A-post)   | SB    | LHD<br>Not power sun roof |
| 10/114:2 Vanity mirror lighting left-hand side   | SB    |                           |
| 2/6:4 Overload relay +15I  | SB    | LHD                       |
| 2/30:4 Overload relay +X   | SB    | LHD                       |
| 33/301 Junction point<br>(LHD: Via A1/E:1 at left A-post)<br>(RHD: Via A2/C:13 at left A-post)                                   | SB    |                           |
| 33/304 Junction point<br>(via A1/F:1 at left A-post)   | SB    | LHD<br>Power sun roof     |
| 33/401 Junction point<br>(via A32:21<br>passenger compartment cable harness - driver's door cable harness)                       | SB    | LHD                       |
| 6/14:3 Passenger side power door mirror (via A33:21<br>passenger compartment cable harness - front passenger door cable harness) | SB    | RHD                       |
| 33/500 Junction point<br>(via A11:2<br>passenger compartment cable harness - climate control cable harness)                      | SB    | RHD                       |
| D10:1 Connector<br>passenger compartment cable harness - accessories (parking heater) cable harness                              | SB    | RHD                       |

## 33/229 (Passenger compartment cable harness)

| To/from  | Color | Note |
|--|-------|------|
| 2/7B:2 Central locking/delayed interior lighting relay   | W-SB  |      |
| 2/28A:6 Anti-theft alarm relay   | W-SB  |      |
| 3/31 Driver's door door switch<br>(LHD: Via A1/A:4 at left A-post)<br>(RHD: Via A6/D:12 to the right of steering column)                               | W-SB  |      |
| 3/32 Passenger side front door switch<br>(LHD: Via A14:11 ABS cable harness - passenger compartment cable harness<br>(RHD: Via A2/A:21 at left A-post) | W-SB  |      |
| 3/33 Left rear door switch   | W-SB  |      |
| 3/34 Right rear door switch  | W-SB  |      |
| 10/125:2 Left-hand side courtesy lighting  | W-SB  |      |
| 10/126:2 Right-hand side courtesy lighting   | W-SB  |      |

## Junction points

### 33/231 (Passenger compartment cable harness)

|        | To/from   | Color | Note |
|--------|---|-------|------|
| 2/44:3 | Rear windshield/door mirror heating relay   | Y     |      |
| 3/8:6  | Switch with time relay heated rear windshield/door mirrors<br>(LHD: Via A1/E:14 at left A-post)<br>(RHD: Via A6/A:15 to right of steering column)                   | Y     |      |
| 9/2:1  | Rear demist<br>(via A15:9 passenger compartment cable harness - parcel shelf cable harness)   | Y     | 4DRS |
| 9/2:1  | Rear demist<br>(via A15:9 passenger compartment cable harness - cargo compartment cable harness and A27:1 cargo compartment cable harness - tailgate cable harness) | Y     | 5DRS |

### 33/232 (Passenger compartment cable harness)

|          | To/from   | Color | Note                      |
|----------|---|-------|---------------------------|
| 31/67    | Right seat support ground terminal  | SB    |                           |
| 3/27:3   | Passenger seat control unit   | SB    | LHD                       |
| 6/14:3   | Passenger side power door mirror<br>(via A33:21 passenger compartment cable harness - front passenger door cable harness) | SB    | LHD                       |
| 9/23A:2  | Right-hand side seat heater   | SB    | LHD                       |
| 10/115:2 | Vanity mirror lighting right-hand side  | SB    |                           |
| 2/6:4    | Overload relay +15I   | SB    | RHD                       |
| 2/30:4   | Overload relay +X   | SB    | RHD                       |
| 33/203   | Junction point  | SB    |                           |
| 33/500   | Junction point<br>(via A11:2 passenger compartment cable harness - climate control cable harness)                         | SB    | LHD                       |
| D10:1    | Connector (passenger compartment cable harness - accessories)   | SB    | LHD                       |
| 4/52A:3  | Power seat with memory control module, driver's side  | SB    | RHD                       |
| 33/304   | Junction point<br>(via A6/B:4 to the right of steering column)  | SB    | RHD<br>Power sun roof     |
| 9/1:1    | Cigarette lighter<br>(via A6/B:4 to the right of steering column)   | SB    | RHD<br>Not power sun roof |
| 33/401   | Junction point<br>(via A32:21 passenger compartment cable harness - driver's door cable harness)                          | SB    | RHD                       |
| 17/13:4  | Data link connector (DLC)   | SB    | RHD                       |
| 3/13:3   | Tailgate wiper/washer switch  | SB    | RHD                       |
| 9/23B:4  | Driver's seat seat belt lock  | SB    | RHD                       |
| 9/22A:2  | Left-hand side seat heater  | SB    | RHD                       |

**33/235 (Passenger compartment cable harness)**

|        | To/from  | Color | Note |
|--------|--|-------|------|
| 7/33:2 | Speedometer pick-up and ABS  | GN-W  |      |
| 4/16:7 | ABS control module<br>(LHD: Via A14:1<br>ABS cable harness - passenger compartment cable harness<br>(RHD: Via A6/C:12 to the right of steering column) | GN-W  |      |
| 5/1A:5 | Speedometer<br>(LHD: Via A1/C:2 at left A-post)<br>(RHD: Via A2/C:2 to the right of steering column)   | GN-W  |      |

**33/236 (Passenger compartment cable harness)**

|         | To/from   | Color | Note |
|---------|---|-------|------|
| 3/63:6  | Automatic transmission mode selector  | BN-OR |      |
| 4/28:40 | Automatic transmission control module<br>(LHD: Via A1/A:11 at left A-post)<br>(RHD: Via A2/A:11 at left A-post) | BN-OR |      |
| 5/1A:6  | Overdrive indicator lamp<br>(LHD: Via A1/E:9 at left A-post)<br>(RHD: Via A2/C:5 at left A-post)                | BN-OR |      |

**33/241 (Passenger compartment cable harness)**

|          | To/from                     | Color | Note |
|----------|-----------------------------|-------|------|
| 11C/15:2 | Fuse, passenger compartment | GN-SB |      |
| D5:9     | Tow hitch connector         | GN-SB |      |
| 6/34:1   | Power antenna               | GN-SB |      |

**33/243 (Passenger compartment cable harness)**

|         | To/from   | Color | Note |
|---------|---|-------|------|
| 2/28C:5 | Anti theft alarm relay  | OR    |      |
| 7/100:3 | Tilt sensor   | OR    |      |
| 7/101:3 | Glass breakage sensor<br>(LHD: Via A1/E:12 at left A-post)<br>(RHD: Via multiconnector A6/B:10 to right of steering column) | OR    |      |

## Junction points

### 33/248 (Passenger compartment cable harness)

| To/from   | Color | Note |
|---|-------|------|
| 11C/11:2 Fuse, passenger compartment  | BL-GN |      |
| 2/7B:4 Central locking/delayed interior lighting relay  | BL-GN |      |
| 16/35:1 Alarm siren<br>(LHD: Via A14:13<br>ABS cable harness - passenger compartment cable harness<br>(RHD: Via A6/D:6 to the right of steering column) | BL-GN |      |
| 3/63:7 AW 30-40/43 mode selector  | BL-GN |      |
| 10/146 AW 30-40/43 gear position indication lamp<br>(via A34:3<br>passenger compartment cable harness - shift lock solenoid)                            | BL-GN |      |

### 33/300 (dashboard cable harness)

| To/from  | Color | Note |
|--|-------|------|
| 3/70:2 Rheostat control  | BN-SB |      |
| 3/2:1 Light switch   | BN-SB |      |
| 3/6:2 Hazard warning signal with flasher relay switch  | BN-SB |      |
| 3/8:2 Switch with Time relay rear window heater/door mirrors   | BN-SB |      |
| 3/25:2 Power sun roof switch   | BN-SB |      |
| 3/59:2 Headlamp range adjuster   | BN-SB |      |
| 5/1B:12 Rheostat, output   | BN-SB |      |
| 10/37:2 Cigarette lighter lighting   | BN-SB |      |
| 10/72:2 Front ashtray lighting   | BN-SB |      |
| 16/1A:10 Radio   | BN-SB |      |
| D8:2 Connector<br>(dashboard cable harness - outside temperature gauge)  | BN-SB |      |
| 34/18:16 Terminal block in relay box passenger compartment<br>(LHD: Via A1/E:2 at left A-post)<br>(RHD: Via A6/B:17 to the right of steering column) | BN-SB |      |
| 3/98:2 Central locking switch  | BN-SB |      |
| 3/58:2 Fog tail lamp switch  | BN-SB |      |
| 3/99:2 Front fog lamps switch  | BN-SB |      |
| 3/52:2 Power antenna switch  | BN-SB |      |

**33/301 (dashboard cable harness)**

| To/from  |  | Color | Note |
|----------|--|-------|------|
| 33/227   | Junction point<br>(LHD: Via A1/E:1 at left A-post)<br>(RHD: Via A2/C:13 at left A-post)  | SB    |      |
| 3/2:10   | Light switch   | SB    |      |
| 3/6:3    | Hazard warning signal flasher with flasher relay switch  | SB    |      |
| 3/8:5    | Switch with time relay heated rear windshield/door mirrors   | SB    |      |
| 7/101:1  | Glass breakage sensor  | SB    |      |
| 3/59:5   | Headlamp range adjuster  | SB    |      |
| 3/70:5   | Rheostat control   | SB    |      |
| 10/29:2  | Glove compartment lighting   | SB    |      |
| 10/37:1  | Cigarette lighter lighting   | SB    |      |
| 10/72:1  | Front ashtray lighting   | SB    |      |
| 16/1A:11 | Radio  | SB    |      |
| 33/120   | Junction point<br>(LHD: Via A8:7<br>engine compartment cable harness - dashboard cable<br>harness<br>(RHD: Via A2/F:10 at left A-post) | SB    |      |
| D8:1     | Connector<br>(dashboard cable harness - outside temperature gauge)   | SB    |      |
| D8:4     | Connector<br>(dashboard cable harness - outside temperature gauge)   | SB    |      |
| 3/98:4   | Switch, central locking  | SB    |      |
| 3/98:5   | Switch, central locking  | SB    |      |
| 3/58:5   | Switch, fog tail lamp  | SB    |      |
| 3/99:5   | Switch, front fog lamps  | SB    |      |
| 3/52:5   | Power antenna switch   | SB    |      |

**33/302 (dashboard cable harness)**

| To/from  |   | Color | Note |
|----------|---|-------|------|
| 5/1D:1   | Digital output  | GN-OR |      |
| 34/19:12 | Terminal block by parking brake bracket<br>(LHD: Via A1/E:13 at left A-post)<br>(RHD: Via A2/C:8 at left A-post)                                    | GN-OR |      |
| 4/46B:18 | Engine control module (ECM)<br>(LHD: Via A9:5<br>engine compartment cable harness - dashboard cable<br>harness)<br>(RHD: Via A2/F:9 at left A-post) | GN-OR |      |
| 16/1B:7  | Radio   | GN-OR |      |

## Junction points

### 33/303 (Dashboard cable harness)

|          | To/from   | Color | Note |
|----------|---|-------|------|
| 11C/10:2 | Fuse, passenger compartment<br>(LHD: Via A1/E:7 at left A-post)<br>(RHD: Via A6/A:2 to right of steering column)                      | GR-R  |      |
| 3/59:3   | Headlamp range adjuster   | GR-R  |      |
| 9/1:2    | Cigarette lighter   | GR-R  |      |
| 33/119   | Junction point<br>(LHD: Via A8:5<br>engine compartment cable harness - dashboard cable<br>harness<br>(RHD: Via A2/F:4 at left A-post) | GR-R  |      |

### 33/304 (Dashboard cable harness)

|        | To/from  | Color | Note                |
|--------|--|-------|---------------------|
| 33/227 | Junction point<br>(via A1/F:1 at left A-post)                  | SB    | LHD                 |
| 3/25:5 | Power sun roof switch  | SB    |                     |
| 9/1:1  | Cigarette lighter  | SB    | Only power sun roof |
| 33/232 | Junction point<br>(via A6/B:4 to the right of steering column) | SB    | RHD                 |

### 33/305 (Dashboard cable harness)

|        | To/from  | Color | Note |
|--------|--|-------|------|
| 2/1E:7 | Headlamp relay with bulb failure warning sensor<br>(LHD: Via A9:1<br>engine compartment cable harness - dashboard cable<br>harness)<br>(RHD: Via A2/F:2 at left A-post)  | P-SB  |      |
| 7/1:11 | Rear bulb failure warning sensor<br>(LHD: Via A1/E:10 at left A-post<br>and A16:14<br>passenger compartment cable harness - cargo compartment)<br>(RHD: Via A2/C:6 at left A-post<br>and A16:14<br>passenger compartment cable harness - cargo compartment<br>cable harness) | P-SB  |      |
| 5/1C:2 | Bulb failure warning lamp  | P-SB  |      |

**33/306 (Dashboard cable harness)**

| <b>To/from</b> |  | <b>Color</b> | <b>Note</b> |
|----------------|--|--------------|-------------|
| 11C/18:2       | Fuse, passenger compartment<br>(LHD: Via A1/F:2 at left A-post)<br>(RHD: Via A6/A:9 to right of steering column) | GN-GR        |             |
| 16/1A:4        | Radio  | GN-GR        |             |
| 16/1A:12       | Radio  | GN-GR        |             |
| 16/15:1        | CD player<br>(via connector A43:1<br>dashboard cable harness - CD player cable harness)                          | GN-GR        |             |

**33/307 (Dashboard cable harness)**

| <b>To/from</b> |   | <b>Color</b> | <b>Note</b> |
|----------------|---|--------------|-------------|
| 31/18          | Ground terminal at tunnel (radio)<br>(via A17:1<br>passenger compartment cable harness - dashboard cable harness) | SB           |             |
| 16/1A:6        | Radio   | SB           |             |
| 16/1A:14       | Radio   | SB           |             |
| 16/15:2        | CD player<br>(via A43:2<br>dashboard cable harness - CD player cable harness)                                     | SB           |             |

**33/309 (Dashboard cable harness)**

| <b>To/from</b> |   | <b>Color</b> | <b>Note</b> |
|----------------|---|--------------|-------------|
| 11C/13:2       | Fuse, passenger compartment<br>(LHD: Via A1/E:8 at left A-post)<br>(RHD: Via A2/C:7 at left A-post) | GN-R         |             |
| 3/36:1         | Contact breaker glove compartment lighting  | GN-R         |             |
| 7/101:2        | Glass breakage sensor   | GN-R         |             |
| 5/1B:4         | Combined instrument panel   | GN-R         |             |

## Junction points

### 33/401 (Driver door harness)

|        | To/from   | Color | Note |
|--------|---|-------|------|
| 33/227 | Junction point<br>(via A32:21passenger compartment cable harness - driver's door cable harness) | SB    | LHD  |
| 2/20:5 | Power window relay autodown   | SB    |      |
| 3/15:5 | Power window switch driver's door for driver's door   | SB    |      |
| 3/16:5 | Power window switch driver's door for driver's side rear  | SB    |      |
| 3/17:5 | Power window switch driver's door for passenger side front                                      | SB    |      |
| 3/18:5 | Power window switch driver's door for passenger side rear                                       | SB    |      |
| 3/23:4 | Power door mirror switch driver's side  | SB    |      |
| 3/24:4 | Power door mirror switch passenger side   | SB    |      |
| 6/13:3 | Power door mirror driver's side   | SB    |      |
| 33/232 | Junction point<br>(via A32:21passenger compartment cable harness - driver's door cable harness) | SB    | RHD  |

### 33/402 (Driver door harness)

|        | To/from   | Color | Note |
|--------|---|-------|------|
| 33/216 | Junction point<br>(via A32:20<br>passenger compartment cable harness - driver's door cable harness) | Y-R   |      |
| 2/20:3 | Power window relay autodown   | Y-R   |      |
| 3/15:4 | Driver's door power window switch for driver's door   | Y-R   |      |
| 3/16:4 | Driver's door power window switch for driver's side rear  | Y-R   |      |
| 3/17:4 | Driver's door power window switch for front passenger side  | Y-R   |      |
| 3/18:4 | Driver's door power window switch for rear passenger side   | Y-R   |      |
| 3/22:1 | Contact breaker for rear power windows  | Y-R   |      |

### 33/500 (Climate control cable harness)

|          | To/from  | Color | Note    |
|----------|--|-------|---------|
| 33/232   | Junction point<br>(via A11:2<br>passenger compartment cable harness - climate control cable harness) | SB    | LHD     |
| 4/6A:3   | Control module ECC   | SB    |         |
| 4/31A:2  | Blower fan motor control module  | SB    |         |
| 4/40A:3  | MCC control module   | SB    |         |
| 6/28:2   | Blower fan motor   | SB    | Not ECC |
| 10/113:1 | Alarm LED  | SB    |         |
| 33/227   | Junction point<br>(via A11:2 passenger compartment cable harness - climate control cable harness)    |       | RHD     |

### 33/501 (Climate control cable harness)

| To/from |   | Color | Note     |
|---------|---|-------|----------|
| 11C/7:2 | Fuse, passenger compartment<br>(via A11:1<br>passenger compartment cable harness - climate control cable harness) | OR    |          |
| 4/6A:2  | Control module ECC  | OR    |          |
| 4/6A:21 | Control module ECC  | OR    |          |
| 4/40A:1 | MCC control module  | OR    |          |
| 4/40C:1 | MCC control module  | OR    |          |
| 6/28:1  | Blower fan motor  | OR    | Only ECC |
| 8/2:1   | Solenoid valves   | OR    |          |

### 33/601 (Cargo compartment cable harness, 4 doors)

| To/from  |  | Color | Note |
|----------|--|-------|------|
| 31/13    | Ground terminal in the cargo compartment | SB    |      |
| 10/3:2   | License (number) plate lamp              | SB    |      |
| 10/17:5B | Right tail lamp                          | SB    |      |
| 10/18:5B | Left tail lamp                           | SB    |      |
| 3/78:8   | Tailgate lock unit                       | SB    |      |

### 33/602 (Cargo compartment cable harness)

| To/from  |   | Color | Note |
|----------|---|-------|------|
| 31/13    | Ground terminal in the cargo compartment  | SB    |      |
| 2/16:2   | Intermittent relay tailgate wiper   | SB    |      |
| 7/1:9    | Rear bulb failure warning sensor  | SB    |      |
| 6/32:3   | Tailgate wiper motor  | SB    |      |
| 9/2:2    | Rear demist   | SB    | 5DRS |
| 10/3:2   | License (number) plate lamp   | SB    | 5DRS |
| 10/19:2  | High-mounted stop (brake) lamps<br>(via A27:6<br>cargo compartment cable harness - tailgate cable harness<br>and A26:2<br>high-mounted stop (brake) lamps cable harness - tailgate<br>cable harness)            | SB    | 5DRS |
| 10/17:5K | Right tail lamp   | SB    | 4DRS |
| 10/18:5K | Left tail lamp  | SB    | 4DRS |
| 10/19:2  | High-mounted stop (brake) lamps<br>(via A16:16<br>passenger compartment cable harness - cargo compartment<br>cable harness<br>and A15:3<br>passenger compartment cable harness - parcel shelf cable<br>harness) | SB    | 4DRS |
| 10/25:2  | Cargo compartment roof lamp   | SB    |      |

## Junction points

### 33/605 (Cargo compartment cable harness, 5 doors)

| To/from |  | Color | Note |
|---------|--|-------|------|
| 31/13   | Ground terminal in the cargo compartment | SB    |      |
| 10/18:6 | Left tail lamp                           | SB    |      |
| 10/17:6 | Right tail lamp                          | SB    |      |

### 33/700 (ABS cable harness)

| To/from |  | Color | Note |
|---------|--|-------|------|
| 11A/5   | Fuse, by battery<br>(LHD: via A39:1<br>ABS cable harness - engine compartment cable harness)<br>(RHD: Via A41:2<br>ABS cable harness - engine compartment cable harness) | R     |      |
| 8/15:6  | ABS modulator  | R     |      |
| 8/15:10 | ABS modulator  | R     |      |

### 33/701 (ABS cable harness)

| To/from |                                    | Color | Note |
|---------|------------------------------------|-------|------|
| 31/67   | Right seat support ground terminal | SB    |      |
| 4/16:20 | ABS control module                 | SB    |      |
| 4/16:34 | ABS control module                 | SB    |      |
| 10/16:2 | Right side turn signal flasher     | SB    |      |
| 16/19:2 | Anti theft alarm horn              | SB    |      |
| 16/35:4 | Alarm siren                        | SB    |      |

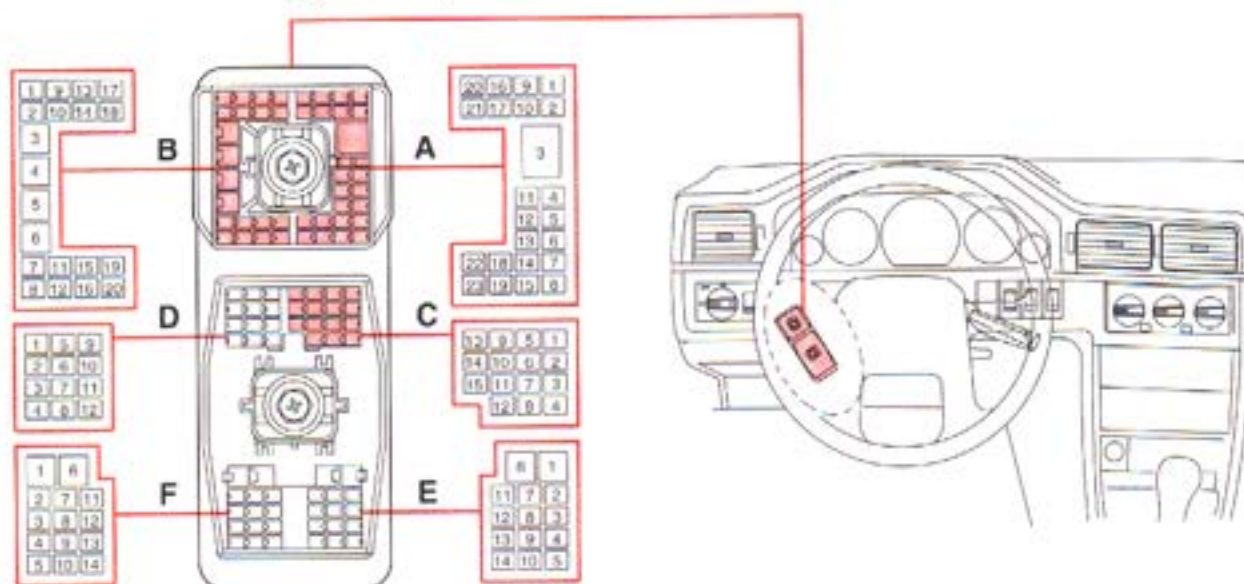
### 33/704 (ABS cable harness)

| To/from |  | Color | Note |
|---------|--|-------|------|
| 4/16:29 | ABS control module   | GN    |      |
| 8/15:11 | ABS modulator  | GN    |      |
| 5/1C:8  | ABS warning lamp<br>(LHD: Via A14:3<br>ABS cable harness - passenger compartment cable harness<br>and A1/C:1 at left A-post)<br>(RHD: Via A6/C:4 to the right of steering column<br>and A2/C:1 at left A-post) | GN    |      |

**33/705 (ABS cable harness)**

|         | <b>To/from</b>  | <b>Color</b> | <b>Note</b> |
|---------|---|--------------|-------------|
| 2/28A:8 | Anti theft alarm relay<br>(LHD: Via A14:9<br>ABS cable harness - passenger compartment cable harness<br>(RHD: Via A6/D:8 to the right of steering column) | BN-OR        |             |
| 16/19:1 | Anti theft alarm horn   | BN-OR        |             |
| 16/35:3 | Alarm siren   | BN-OR        |             |

## Multi-connector A1 under dashboard by left A-post



### A Passenger compartment cable harness - engine compartment cable harness

| Term | To/From  | Via                  | Color |
|------|--|----------------------|-------|
| 1    | Ignition switch terminal. 30I, 30+ supply  |                      | Y-R   |
| 2    | Horn switches, supply  |                      | BN-SB |
| 3    | Overload relay 2/6, terminal 1, 30+ supply   |                      | VO    |
| 4    | Driver's door door switch,<br>- Delayed interior lighting<br>- Anti-theft alarm relay<br>- Courtesy lighting |                      | W-SB  |
| 5    | Driver's door door switch (door open warning lamp)   |                      | BL-SB |
| 6    | Fuel tank pressure sensor terminal 1   |                      | GN-R  |
| 7    | Electronic park/neutral position (PNP) control module switch terminal 8                                      |                      | BN    |
| 8    | Windshield wiper/washer switch terminal 8  |                      | BL-R  |
| 9    | Anti-theft alarm relay terminal. A:4   |                      | BN-W  |
| 10   | Ignition coils relay terminal 2  |                      | GN    |
| 11   | AW30-40/43 control module terminal 40  |                      | BN-OR |
| 12   | Fuel tank pressure sensor terminal 2   |                      | GN-GR |
| 13   | AW30-40/43 control module terminal 33  |                      | GR-R  |
| 14   | AW30-40/43 control module terminal 6   |                      | GR    |
| 15   | AW30-40/43 control module terminal 5   |                      | Y-BN  |
| 16   | Fuel pump (FP) relay terminal 4  |                      | BN-P  |
| 17   | Fuel pump (FP) relay terminal 1, supply  |                      | Y-GR  |
| 18   | Data link connector (DLC) terminal 6, ground terminal  |                      | BN    |
| 19   | AW30-40/43 control module terminal 21<br>Motronic 4.4 control module terminal. B:36 (USA/CDN)                | 33/125 (USA/<br>CDN) | Y     |
| 20   | Motronic 4.4 control module terminal. A:12, 15+ supply   |                      | BL    |
| 21   | Low-Pressure switch air conditioning (A/C) terminal 1  |                      | BN-GR |
| 22   | Motronic control module terminal. B:36 (Not USA/CDN)   |                      | Y-SB  |
| 23   | Terminal block. 34/42 terminal 6, X+ supply  |                      | Y     |

## Multi-connector A1 under dashboard by left A-post

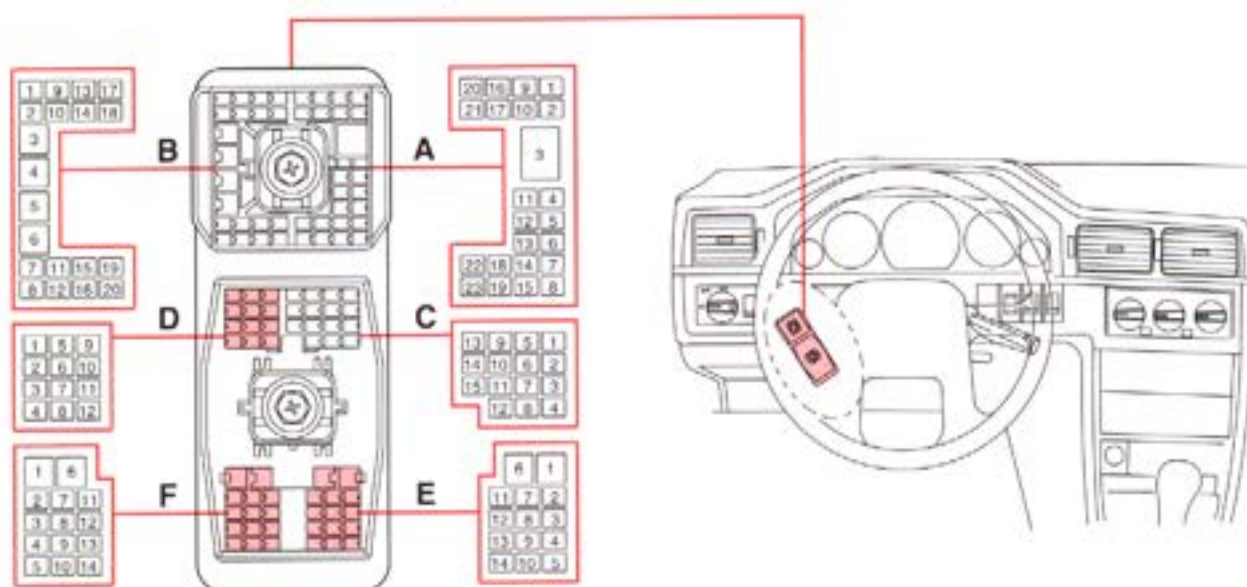
### B Passenger compartment cable harness - engine compartment cable harness

| Term | To/From   | Via         | Color |
|------|---|-------------|-------|
| 1    | Starter motor relay connection 2                                |             | P     |
| 2    | Connector A3/D-2  |             | R     |
| 3    | Ground terminal   |             | SB    |
| 4    | Combined instrument panel terminal. C:5, High beam warning lamp | A8:3        | BL-GR |
| 5    | Washer motor rear windshield terminal 1                         |             | BL-OR |
| 6    | High/low beam switch terminal 8                                 |             | BL-W  |
| 7    | High/low beam switch terminal 1                                 |             | GN-GR |
| 8    | Left side turn signal flasher terminal 1 (Not USA/CDN)          |             | GN    |
| 9    | 15I+ supply to back-up (reversing) lamp                         |             | BL-Y  |
| 10   | Back-up (reversing) lamp  | A16:6       | BN-P  |
| 11   | Fuel tank pressure sensor terminal 3                            |             | BL-P  |
| 12   | Control module, cruise control terminal                         | E:3         | P-SB  |
| 13   | Rear parking lamps and license plate lighting                   | A16:2 (7/1) | W     |
| 14   | Rear parking lamps  | A16:3, 7/1  | GR    |
| 15   | Vacuum pump, cruise control terminal 3                          |             | Y-W   |
| 16   | Vacuum pump, cruise control terminal 1                          |             | OR    |
| 17   | Left front Turn signal lamp terminal 2                          |             | GN    |
| 18   | Right front turn signal lamp terminal 2                         |             | BL-GN |
| 19   | Vacuum pump, cruise control terminal 2                          |             | GN-BN |
| 20   | -   |             |       |

### C Passenger compartment cable harness - dashboard cable harness

| Term | To/From   | Via | Color |
|------|---|-----|-------|
| 1    | Combined instrument panel terminal. C:8, ABS warning lamp   |     | GN    |
| 2    | Combined instrument panel terminal. A:5, speedometer signal |     | GN-W  |
| 3    | Combined instrument panel terminal. C:3                     |     | R     |
| 4    | Combined instrument panel terminal. A:11                    |     | OR-SB |
| 5    | Combined instrument panel terminal. A:2, 15A+ supply        |     | R-SB  |
| 6    | -   |     |       |
| 7    | Combined instrument panel terminal. C:7                     |     | GR-W  |
| 8    | Combined instrument panel terminal. C:9                     |     | GR-OR |
| 9    | Combined instrument panel terminal. B:7                     |     | W     |
| 10   | Combined instrument panel terminal. B:2, Fuel gauge +       |     | OR-W  |
| 11   | Combined instrument panel terminal. B:3, fuel gauge -       |     | BN    |
| 12   | Combined instrument panel terminal. B:5, ground terminal    |     | SB    |
| 13   | Power sun roof switch terminal 4                            |     | Y-R   |
| 14   | Power sun roof switch terminal 3                            |     | BL    |
| 15   | Power sun roof switch terminal 1                            |     | R     |

## Multi-connector A1 under dashboard by left A-post



### D Passenger compartment cable harness - dashboard cable harness

| Term | To/From  | Via   | Color |
|------|--|-------|-------|
| 1    | Light switch terminal 6  |       | GN-Y  |
| 2    | Central locking switch terminal 2 (USA/CDN)                                  |       | BN-GR |
| 3    | Fog tail lamp switch terminal 4  |       | VO-W  |
| 4    | Combined instrument panel terminal. A:4, ground terminal                     |       | SB    |
| 5    | Central locking switch terminal 6 (USA/CDN)                                  |       | BN-P  |
| 6    | Hazard warning signal flasher switch with flash relay terminal 6, 30+ supply |       | R-W   |
| 7    | Turn signal lamp switch terminal 5   |       | BL-OR |
| 8    | Left turn signal flashers  | A16:7 | GN    |
| 9    | Right turn signal flashers   | A16:8 | BL-GN |
| 10   | hazard warning signal flasher switch with flash relay terminal 9             |       | BL-Y  |
| 11   | Light switch terminal 9  |       | BL-BN |
| 12   | Fog tail lamp switch terminal 3  |       | BL-GR |

## Multi-connector A1 under dashboard by left A-post

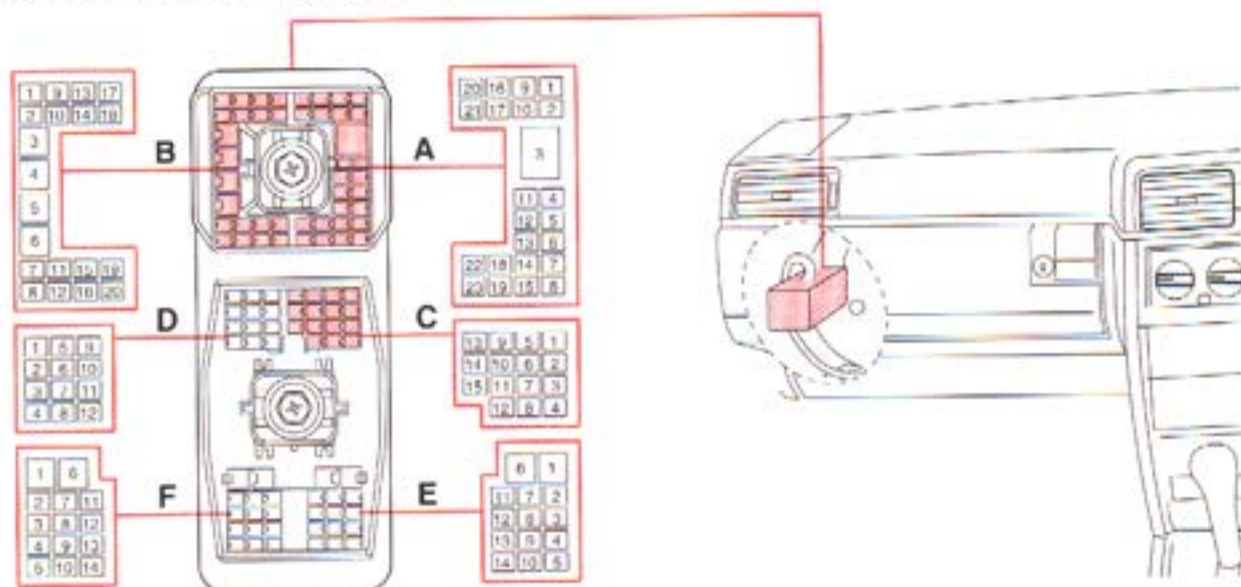
### E Passenger compartment cable harness - dashboard cable harness

| Term | To/From  | Via    | Color    |
|------|--|--------|----------|
| 1    | Ground terminal  | 33/227 | SB       |
| 2    | Terminal block in passenger compartment relay box, 34/18:16                      |        | BN-SB    |
| 3    | -  |        |          |
| 4    | Combined instrument panel terminal. A:7  |        | Y-GR     |
| 5    | Combined instrument panel terminal. A:8  |        | GN-BN    |
| 6    | Combined instrument panel terminal. B:13<br>Outside temperature gauge terminal 3 |        | OR<br>OR |
| 7    | Fuse 11C/10:2, X+ supply   |        | GR-R     |
| 8    | 30+ supply to glove compartment lighting, clock and glass breakage sensor        | 33/309 | GN-R     |
| 9    | Combined instrument panel terminal. A:6, gear indicator indicator lamp           |        | BN-OR    |
| 10   | Combined instrument panel terminal. C:2, Bulb failure warning lamp               | 33/305 | P-SB     |
| 11   | -  |        |          |
| 12   | Glass breakage sensor terminal 3   |        | OR       |
| 13   | Control module cruise control terminal. B:8, vehicle speed signal                | 34/19  | GN-OR    |
| 14   | Rear demist switch terminal 6  |        | Y        |

### F Passenger compartment cable harness - dashboard cable harness

| Term | To/From  | Via    | Color    |
|------|--|--------|----------|
| 1    | Ground terminal  | 33/227 | SB       |
| 2    | Radio terminal. A:4 and A:12, 30+ supply<br>CD player terminal 1, 30+ supply | 33/306 | GN-GR    |
| 3    | Radio terminal. B:4, Left front loudspeakers (+)                             |        | W        |
| 4    | Radio terminal. B:10, Right front loudspeakers (+)                           |        | Y-W      |
| 5    | Radio terminal. B:2, Left rear loudspeakers (+)                              |        | GN-W     |
| 6    | Light switch terminal 7  |        | Y-R      |
| 7    | Radio terminal. A:9  |        | P        |
| 8    | Radio terminal. B:6, right rear loudspeakers(+)                              |        | BN-W     |
| 9    | Power antenna terminal 3 +signal   |        | R (R-SB) |
| 10   | Radio terminal. B:5, right rear loudspeakers (-)                             |        | BN-SB    |
| 11   | Radio terminal. A:13, X+ supply  |        | Y-BN     |
| 12   | Radio terminal. B:3, left front loudspeakers (-)                             |        | W-SB     |
| 13   | Radio terminal. B:9, right front loudspeakers (-)                            |        | Y-SB     |
| 14   | Radio terminal. B:1, left rear loudspeakers (-)                              |        | GN-SB    |

## Multi-connector A2 under dashboard by left A-post



### A Passenger compartment cable harness - engine compartment cable harness

| Term | To/From                                      | Via   | Color |
|------|--|-------|-------|
| 1    | Back-up (reversing) lamp                     | A16:6 | BN-P  |
| 2    | -  |       |       |
| 3    | -  |       |       |
| 4    | -  |       |       |
| 5    | Windshield wiper/washer switch terminal 8    |       | BL-R  |
| 6    | Terminal block, 34/42, terminal 6, X+ supply |       | Y     |
| 7    | Fuel pump (FP) relay terminal 4              |       | BN-P  |
| 8    | Fuel pump (FP) relay terminal 1              |       | Y-GR  |
| 9    | -  |       |       |
| 10   | -  |       |       |
| 11   | AW 30-40/43 control module terminal 40       |       | BN-OR |
| 12   | AW 30-40/43 control module terminal 6        |       | GR    |
| 13   | -  |       |       |
| 14   | AW 30-40/43 control module terminal 33       |       | GR-R  |
| 15   | AW 30-40/43 control module terminal 5        |       | Y-BN  |
| 16   | -  |       |       |
| 17   | -  |       |       |
| 18   | Data link connector (DLC) terminal 5         |       | BN    |
| 19   | AW 30-40/43 control module terminal 21       |       | Y     |
| 20   | Left-hand side front door switch             |       | BL-SB |
| 21   | Left-hand side front door switch             |       | W-SB  |
| 22   | -  |       |       |
| 23   | -  |       |       |

## Multi-connector A2 under dashboard by left A-post

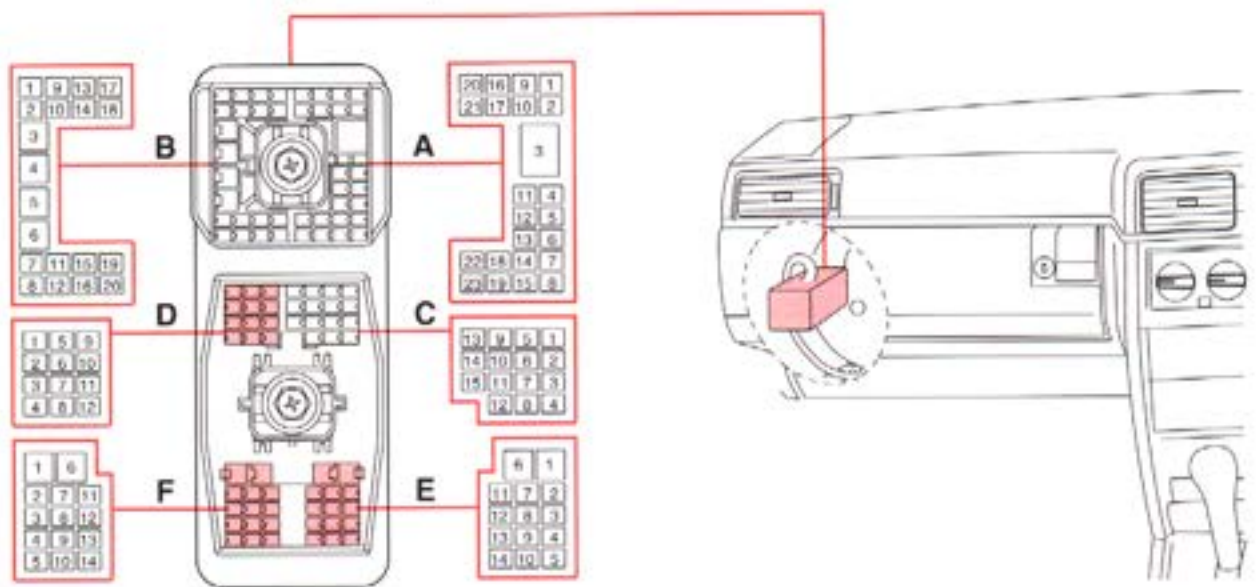
### B Passenger compartment cable harness - engine compartment cable harness

| Term | To/From  | Via    | Color |
|------|--|--------|-------|
| 1    | Rear parking lamps and license plate lighting                  | A16:2  | W     |
| 2    | Rear parking lamps   | A16:3  | GR    |
| 3    | Ground terminal  |        | SB    |
| 4    | Combined instrument panel terminal. C:5 High beam warning lamp | A2/E:4 | BL-GR |
| 5    | Washer motor rear windshield terminal 1                        |        | BL-OR |
| 6    | -  |        |       |
| 7    | -  |        |       |
| 8    | -  |        |       |
| 9    | -  |        |       |
| 10   | -  |        |       |
| 11   | Low-Pressure switch air conditioning (A/C) terminal 1          |        | BN-GR |
| 12   | -  |        |       |
| 13   | -  |        |       |
| 14   | -  |        |       |
| 15   | Anti-theft alarm terminal. A:4                                 |        | BN-W  |
| 16   | -  |        |       |
| 17   | -  |        |       |
| 18   | -  |        |       |
| 19   | -  |        |       |
| 20   | -  |        |       |

### C Passenger compartment cable harness - dashboard cable harness

| Term | To/From  | Via    | Color    |
|------|--|--------|----------|
| 1    | Combined instrument panel terminal. C:8, ABS warning lamp                              |        | GN       |
| 2    | Combined instrument panel terminal. A:5, speedometer signal                            |        | GN-W     |
| 3    | Radio terminal. B:2, Left rear loudspeakers (+)  |        | GN-W     |
| 4    | Radio terminal. B:4, Left front loudspeakers (+)                                       |        | W        |
| 5    | Combined instrument panel terminal. A:6, gear indicator indicator lamp                 |        | BN-OR    |
| 6    | Combined instrument panel terminal. C:2, Bulb failure warning lamp<br>Connector A2/F:2 | 33/305 | P-SB     |
| 7    | 30+ supply to glove compartment lighting, clock and glass breakage sensor              | 33/309 | GN-R     |
| 8    | Combined instrument panel terminal. D:1<br>Radio terminal. B:7<br>Connector A2/F:9     | 33/302 | GN-OR    |
| 9    | Power sun roof switch terminal 3   |        | BL       |
| 10   | Power sun roof switch terminal 1   |        | R        |
| 11   | Radio terminal. B:1, left rear loudspeakers (-)  |        | GN-SB    |
| 12   | Radio terminal. B:3, left front loudspeakers (-)                                       |        | W-SB     |
| 13   | Junction point 33/301, ground terminal   | 33/227 | SB       |
| 14   | Combined instrument panel terminal. B:5, ground terminal                               | 33/227 | SB       |
| 15   | Power antenna terminal 3   |        | R (R-SB) |

**Multi-connector A2  
under dashboard by left A-post**



**D Passenger compartment cable harness - dashboard cable harness**

| Term | To/From                            | Via   | Color |
|------|------------------------------------|-------|-------|
| 1    | Left turn signal flashers          | A16:7 | GN    |
| 2    | Right turn signal flashers         | A16:8 | BL-GN |
| 3    | -                                  |       |       |
| 4    | -                                  |       |       |
| 5    | Fuel level sensor terminal 3       |       | BN    |
| 6    | Parking brake switch               |       | GR-W  |
| 7    | Radio terminal, A:9, damper signal |       | P     |
| 8    | -                                  |       |       |
| 9    | Fuel level sensor terminal 2       |       | OR-W  |
| 10   | -                                  |       |       |
| 11   | -                                  |       |       |
| 12   | -                                  |       |       |

**Multi-connector A2  
under dashboard by left A-post**

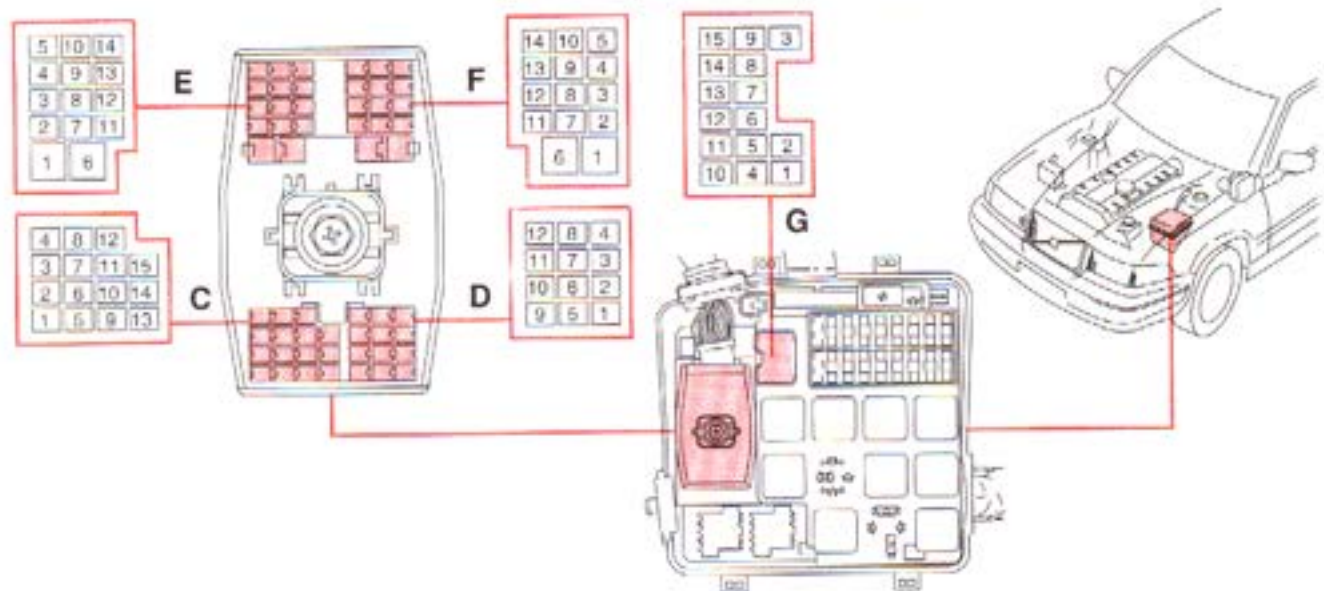
**E Dashboard cable harness - engine compartment cable harness**

| Term | To/From  | Via | Color |
|------|--|-----|-------|
| 1    | -  |     |       |
| 2    | -  |     |       |
| 3    | Headlamp relay with bulb failure warning sensor terminal A:9                     |     | BL-BN |
| 4    | Combined instrument panel terminal. C:5, high beam warning lamp                  |     | BL-GR |
| 5    | front fog lamps switch terminal 6  |     | W-SB  |
| 6    | -  |     |       |
| 7    | Light switch terminal 2  |     | BL-W  |
| 8    | -  |     |       |
| 9    | -  |     |       |
| 10   | AW 30-40/43 control module terminal 8, vehicle speed signal                      |     | GN-GR |
| 11   | -  |     |       |
| 12   | Combined instrument panel terminal. A:14, engine coolant temperature (ECT) gauge |     | Y-W   |
| 13   | Combined instrument panel terminal. C:6, brake warning indicator lamp            |     | Y-R   |
| 14   | -  |     |       |

**F Dashboard cable harness - engine compartment cable harness**

| Term | To/From   | Via     | Color |
|------|---|---------|-------|
| 1    | -   |         |       |
| 2    | Headlamp relay with bulb failure warning sensor terminal. E:7 |         | P-SB  |
| 3    | Front fog lamps switch terminal 1                             |         | Y BN  |
| 4    | Headlamp range adjustment motors terminal. B:1                | 33/119  | GR-R  |
| 5    | Headlamp range adjustment motors terminal. B:2                | 33/121  | GR    |
| 6    | -   |         |       |
| 7    | Motronic 4.4 control module terminal. B:7                     |         | OR    |
| 8    | Motronic 4.4 control module terminal. B:21                    |         | R-W   |
| 9    | Motronic 4.4 control module terminal. B:18                    |         | GN-OR |
| 10   | Headlamp range adjustment motors terminal. A                  | 33/120  | SB    |
| 11   | Oil pressure switch   | A3/D:11 | SB    |
| 12   | Windshield washer reservoir level sensor terminal 1           |         | BL-Y  |
| 13   | Outside temperature sensor terminal 1                         |         | GN-Y  |
| 14   | Outside temperature sensor terminal 2                         |         | GN-BN |

## Multi-connector A3 in integrated relay/fusebox in engine compartment



### C Engine compartment cable harness - engine cable harness

| Term | To/From   | Via | Color |
|------|---|-----|-------|
| 1    | Injector cyl. 1, control signal   |     | BL-BN |
| 2    | Injector cyl. 2, control signal   |     | GN-Y  |
| 3    | Injector cyl. 3, control signal   |     | Y     |
| 4    | Injector cyl. 4, control signal   |     | P-W   |
| 5    | Injector cyl. 5, control signal   |     | BL-GR |
| 6    | Injector cyl. 6, control signal   |     | BL-OR |
| 7    | Front heated oxygen sensor (HO2S) terminal 2  |     | Y-SB  |
| 8    | Front heated oxygen sensor (HO2S) terminal 3  |     | GUR   |
| 9    | Front heated oxygen sensor (HO2S) terminal 4  |     | OR    |
| 10   | Rear heated oxygen sensor (HO2S) terminal 2   |     | P-SB  |
| 11   | Rear heated oxygen sensor (HO2S) terminal 3   |     | Y-VO  |
| 12   | Rear heated oxygen sensor (HO2S) terminal 4   |     | Y-GR  |
| 13   | -   |     |       |
| 14   | Back-up (reversing) lamp switch terminal 1 or gear-shift position sensor terminal 1 |     | BL-Y  |
| 15   | Back-up (reversing) lamp switch terminal 2 or gear-shift position sensor terminal 2 |     | BN-P  |

### D Engine compartment cable harness - engine cable harness

| Term | To/From   | Via | Color     |
|------|---|-----|-----------|
| 1    | Starter motor terminal 50, 50+ supply (960 with automatic transmission, via Park/Neutral position (PNP) switch, 3/40) |     | BL (BL-P) |
| 2    | Generator (GEN) D+  |     | R         |
| 3    | Rear knock sensor (KS) terminal 1   |     | BN-OR     |
| 4    | Rear knock sensor (KS) terminal 2   |     | BL-R      |
| 5    | Magnetic clutch air conditioning (A/C)  |     | GN-W      |
| 6-10 | -   |     |           |
| 11   | Oil pressure switch (+)   |     | SB        |
| 12   | -   |     |           |

## Multi-connector A3 in integrated relay/fusebox in engine compartment

### E Engine compartment cable harness - engine cable harness

| Term | To/From  | Via  | Color |
|------|--|------|-------|
| 1    | Ignition coils, +supply                                | 33/1 | GN-R  |
| 2    | Ignition discharge module (IDM) 1 Motronic terminal 2  |      | R-SB  |
| 3    | Ignition discharge module (IDM) 1 Motronic terminal 5  |      | BL-GN |
| 4    | Ignition discharge module (IDM) 1 Motronic terminal 7  |      | BL-R  |
| 5    | Engine coolant temperature (ECT) sensor terminal 1     |      | GR-W  |
| 6    | -  |      |       |
| 7    | Ignition discharge module (IDM) 2 Motronic terminal 2  |      | BL-W  |
| 8    | Ignition discharge module (IDM) 2 Motronic terminal 5  |      | BL-BN |
| 9    | Ignition discharge module (IDM) 2 Motronic terminal 7  |      | W     |
| 10   | Engine coolant temperature (ECT) sensor terminal 2     |      | GN-GR |
| 11   | Idle air control (IAC) valve terminal 3                |      | GR-R  |
| 12   | Idle air control (IAC) valve terminal 1                |      | OR-SB |
| 13   | -  |      |       |
| 14   | Injectors and idle air control (IAC) valve, 15+ supply | 33/2 | GN    |

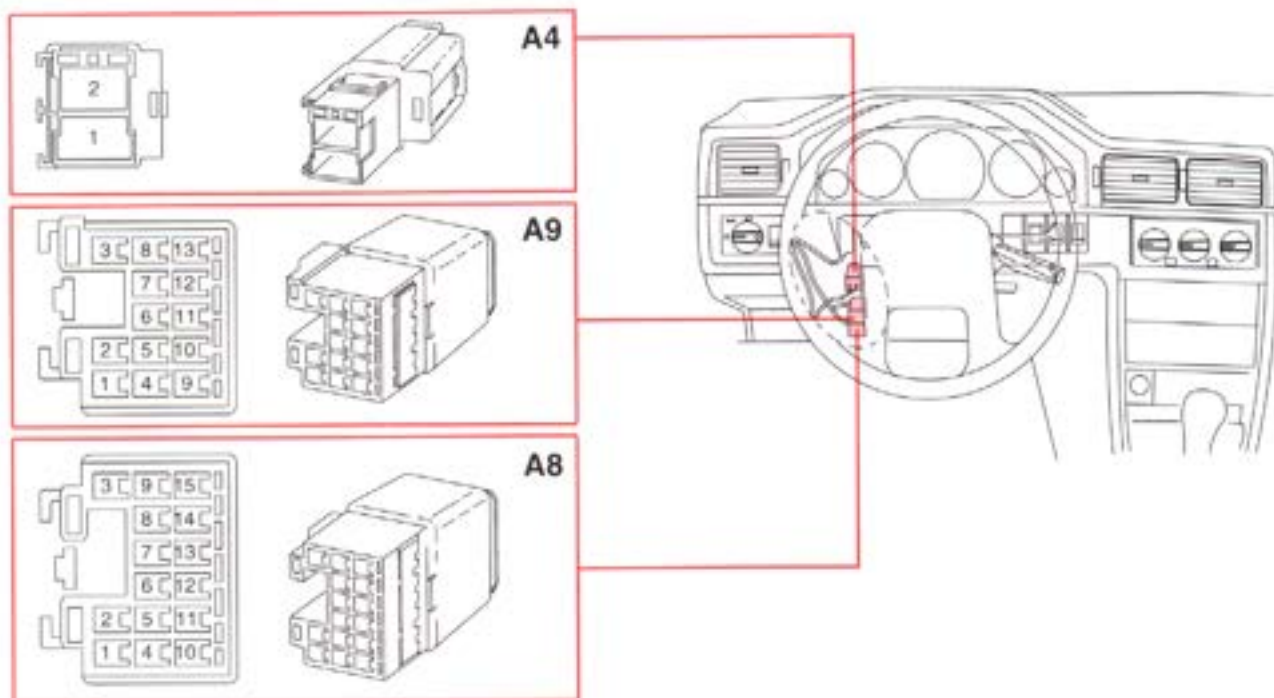
### F Engine compartment cable harness - engine cable harness

| Term | To/From                                  | Via  | Color |
|------|--|------|-------|
| 1-2  | -  |      |       |
| 3    | Front knock sensor (KS) terminal 1       |      | GR    |
| 4    | Front knock sensor (KS) terminal 2       |      | BL-R  |
| 5-7  | -  |      |       |
| 8    | Throttle position (TP) sensor terminal 1 |      | GN-GR |
| 9-10 | -  |      |       |
| 11   | Throttle position (TP) sensor terminal 3 |      | BL-SB |
| 12   | Throttle position (TP) sensor terminal 2 |      | Y-SB  |
| 13   | -  |      |       |
| 14   | Heated oxygen sensors (HO2S), + supply   | 33/7 | BL    |

### G Engine compartment cable harness - engine cable harness

| Term | To/From  | Via | Color |
|------|--|-----|-------|
| 1    | Gear-shift position sensor terminal 4 (S90/V90 AUTO) |     | P-SB  |
| 2    | Gear-shift position sensor terminal 3 (S90/V90 AUTO) |     | SB    |
| 3    | Engine speed (RPM) sensor AW30-40/43                 |     | W-SB  |
| 4    | Engine speed (RPM) sensor AW30-40/43                 |     | GN-SB |
| 5    | Oil temperature sensor AW30-40/43                    |     | R-W   |
| 6    | Oil temperature sensor AW30-40/43                    |     | OR-W  |
| 7    | Solenoids AW30-40/43 terminal 1 (S1)                 |     | GN    |
| 8    | Solenoids AW30-40/43 terminal 2 (S2)                 |     | GR-OR |
| 9    | Solenoids AW30-40/43 terminal 3 (SL)                 |     | Y-W   |
| 10   | Solenoids AW30-40/43 terminal 4 (STH)                |     | P     |
| 11   | Solenoids AW30-40/43 terminal 5 (STHG)               |     | BN-SB |
| 12   | Gear-shift position sensor terminal 5 (A)            |     | BL-GR |
| 13   | Gear-shift position sensor terminal 6 (B)            |     | BN-W  |
| 14   | Gear-shift position sensor terminal 7 (C)            |     | GN-BN |
| 15   | Gear-shift position sensor terminal 8 (PA)           |     | GN-W  |

## Connectors A4, A6, A8 and A9



### A4 White 2 pin

Engine compartment harness - passenger compartment harness

| Term | To/From  | Via    | Color |
|------|--|--------|-------|
| 1    | Fuses 11C/13 up to and including 11C/18 and automatic fuse 11C/CB1, 30+ supply | 33/205 | Y     |
| 2    | Fuses 11C/1 up to and including 11C/4 and overload relay 2/30, 30+ supply      | 33/204 | R     |

### A6 Multi-connector (under dashboard to right of steering column)

See page 58

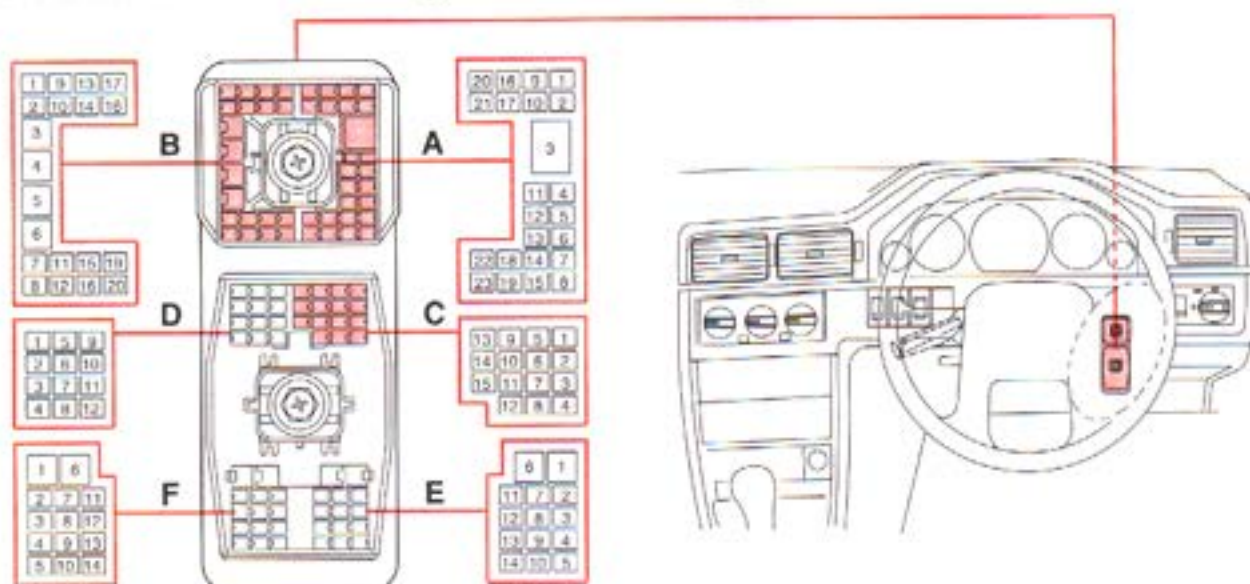
**A8 White 15 pin****Engine compartment cable harness - dashboard cable harness**

| Term | To/From  | Via    | Color |
|------|--|--------|-------|
| 1    | Light switch terminal 5  |        | BL-R  |
| 2    | Light switch terminal 9  |        | BL-BN |
| 3    | Combined instrument panel terminal. C:5, high beam warning lamp                  |        | BL-GR |
| 4    | Light switch terminal 2  |        | BL-W  |
| 5    | Headlamp range adjustment motors terminal. B:1                                   | 33/119 | GR-R  |
| 6    | Headlamp range adjustment motors terminal. B:2                                   | 33/121 | GR    |
| 7    | Headlamp range adjustment motors terminal. A, ground terminal                    | 33/120 | SB    |
| 8    | -  |        |       |
| 9    | Combined instrument panel terminal. A:14, engine coolant temperature (ECT) gauge |        | Y-W   |
| 10   | Brake fluid level switch terminal 1  |        | Y-R   |
| 11   | -  |        |       |
| 12   | -  |        |       |
| 13   | Front fog lamps switch terminal 6  |        | W-SB  |
| 14   | -  |        |       |
| 15   | -  |        |       |

**A9 Blue 13 pin****Engine compartment cable harness - dashboard cable harness**

| Term | To/From  | Via | Color |
|------|--|-----|-------|
| 1    | Headlamp relay with bulb failure warning sensor terminal. E:7      |     | P-SB  |
| 2    | Front fog lamps switch terminal 1                                  |     | Y BN  |
| 3    | Motronic control module terminal. B:7, Check engine indicator lamp |     | OR    |
| 4    | Motronic control module terminal. B:21, engine speed (RPM) sensor  |     | R-W   |
| 5    | Motronic control module terminal. B:18, vehicle speed signal       |     | GN-OR |
| 6    | Combined instrument panel terminal. C:4                            |     | SB    |
| 7    | Windshield washer reservoir level sensor terminal 1                |     | BL-Y  |
| 8    | Outside temperature sensor terminal 1                              |     | GN-Y  |
| 9    | Outside temperature sensor terminal 2                              |     | GN-BN |
| 10   | AW30-40/43 control module terminal 8, vehicle speed signal         |     | GN-GR |
| 11   | -  |     |       |
| 12   | -  |     |       |
| 13   | -  |     |       |

## Multi-connector A6 under dashboard to the right of the steering column



### A Passenger compartment cable harness - dashboard cable harness

| Term | To/From   | Via    | Color |
|------|---|--------|-------|
| 1    | -   |        |       |
| 2    | Cigarette lighter<br>headlamp range adjustment terminal 3<br>Connector A2/F:4 | 33/303 | GR-R  |
| 3    | -   |        |       |
| 4    | -   |        |       |
| 5    | Hazard warning signal flasher switch with flash relay terminal 6, 30+ supply  |        | R-W   |
| 6    | Combined instrument panel terminal. C:9                                       |        | GR-OR |
| 7    | -   |        |       |
| 8    | Combined instrument panel terminal. A:2, 15A+ supply                          |        | R-SB  |
| 9    | Radio terminal. A:4 and A:12, 30+ supply<br>CD player terminal 1, 30+ supply  | 33/306 | GN-GR |
| 10   | Hazard warning signal flasher switch with flash relay terminal 9              |        | BL-Y  |
| 11   | Light switch terminal 9   |        | BL-BN |
| 12   | Fog tail lamp switch terminal 3   |        | BL-GR |
| 13   | -   |        |       |
| 14   | -   |        |       |
| 15   | Rear demist switch terminal 6   |        | Y     |
| 16   | Radio terminal. A:13., X+ supply  |        | Y-BN  |
| 17   | -   |        |       |
| 18   | Combined instrument panel terminal. C:3                                       |        | R     |
| 19   | Combined instrument panel terminal. A:11                                      |        | OR-SB |
| 20   | -   |        |       |
| 21   | -   |        |       |
| 22   | Combined instrument panel terminal. A:7                                       |        | Y-GR  |
| 23   | Combined instrument panel terminal. A:8                                       |        | GN-BN |

**Multi-connector A6**  
under dashboard to the right of the steering column

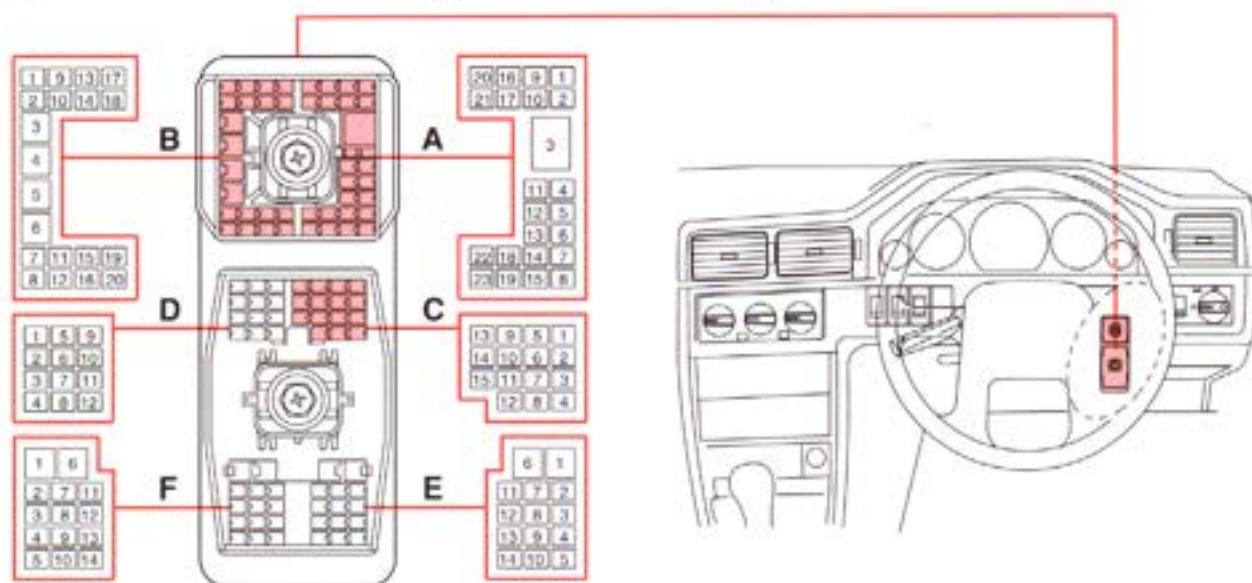
**B Passenger compartment cable harness - dashboard cable harness**

| Term | To/From  | Via    | Color |
|------|--|--------|-------|
| 1    | -  |        |       |
| 2    | Light switch terminal 6  |        | GN-Y  |
| 3    | Light switch terminal 7  |        | Y-R   |
| 4    | Ground terminal  | 33/232 | SB    |
| 5    | -  |        |       |
| 6    | Combined instrument panel terminal. B:13<br>Outside temperature gauge terminal 3 |        | OR    |
| 7    | Radio terminal. B:10, Right front loudspeakers (+)                               |        | Y-W   |
| 8    | Radio terminal. B:6, right rear loudspeakers(+)                                  |        | BN-W  |
| 9    | -  |        |       |
| 10   | Glass breakage sensor terminal 3   |        | OR    |
| 11   | Turn signal lamp switch terminal 5   |        | BL-OR |
| 12   | Fog tail lamp  | A16:5  | VO-W  |
| 13   | Exhaust temperature sensor relay terminal 3                                      |        | W     |
| 14   | -  |        |       |
| 15   | Combined instrument panel terminal. A:4, ground terminal                         |        | SB    |
| 16   | -  |        |       |
| 17   | Combined instrument panel terminal. B:12   | 33/300 | BN-SB |
| 18   | Power sun roof switch, terminal 4  |        | Y-R   |
| 19   | Radio terminal. B:9, right front loudspeakers (-)                                |        | Y-SB  |
| 20   | Radio terminal. B:5, right rear loudspeakers (-)                                 |        | BN-SB |

**C Passenger compartment cable harness - ABS cable harness**

| Term | To/From  | Via    | Color |
|------|--|--------|-------|
| 1    | -  |        |       |
| 2    | -  |        |       |
| 3    | ABS control module terminal 1, +15A supply                           |        | BL-R  |
| 4    | Combined instrument panel terminal. C:8, ABS warning lamp            | A2/C:1 | GN    |
| 5    | -  |        |       |
| 6    | -  |        |       |
| 7    | ABS control module terminal 25, brake signal                         |        | Y-BN  |
| 8    | ABS control module terminal 15                                       |        | R     |
| 9    | Right side turn signal flasher 1                                     |        | BL-GN |
| 10   | -  |        |       |
| 11   | ABS control module terminal 9  |        | BN-W  |
| 12   | ABS control module terminal 7  |        | GN-W  |
| 13   | -  |        |       |
| 14   | -  |        |       |
| 15   | ABS control module terminal 31,on-board diagnostic (OBD) unit signal |        | Y     |

## Multi-connector A6 under dashboard to the right of the steering column



### D Passenger compartment cable harness - ABS cable harness

| Term | To/From                                | Via | Color |
|------|--|-----|-------|
| 1    | -                                      |     |       |
| 2    | -                                      |     |       |
| 3    | -                                      |     |       |
| 4    | Engine coolant level switch terminal 1 |     | GR-OR |
| 5    | -                                      |     |       |
| 6    | Alarm siren terminal 1                 |     | BL-GN |
| 7    | Alarm siren terminal 2                 |     | W-SB  |
| 8    | Anti-theft alarm relay terminal, A:8   |     | BN-OR |
| 9    | -                                      |     |       |
| 10   | -                                      |     |       |
| 11   | Driver's door door switch              |     | BL-SB |
| 12   | Driver's door door switch              |     | W-SB  |

**Multi-connector A6**  
under dashboard to the right of the steering column

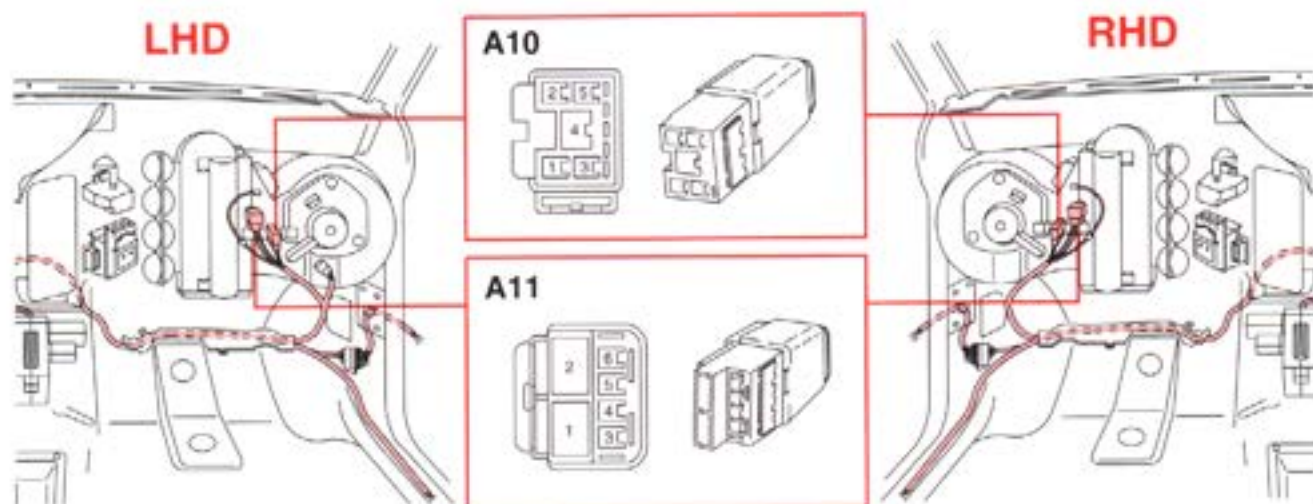
**E Passenger compartment cable harness - engine compartment cable harness**

| Term | To/From   | Via | Color |
|------|---|-----|-------|
| 1    | DIM-DIP relay terminal 1                                      |     | BL-Y  |
| 2    | Ignition switch terminal 30I, + supply                        |     | Y-R   |
| 3    | Starter motor relay terminal 2                                |     | P     |
| 4    | Connector A3/D:2  |     | R     |
| 5    | -   |     |       |
| 6    | Headlamp relay with bulb failure warning sensor terminal, A:7 |     | BL-W  |
| 7    | Headlamp relay with bulb failure warning sensor terminal, A:6 |     | GN-GR |
| 8    | -   |     |       |
| 9    | -   |     |       |
| 10   | -   |     |       |
| 11   | Ignition coils relay terminal 2                               |     | GN    |
| 12   | -   |     |       |
| 13   | -   |     |       |
| 14   | Fuel pump (FP) relay terminal 2                               |     | BL    |

**F Passenger compartment cable harness - engine compartment cable harness**

| Term | To/From  | Via | Color |
|------|--|-----|-------|
| 1    | -  |     |       |
| 2    | 15I+ supply to back-up (reversing) lamp                |     | BL-Y  |
| 3    | Immobilizer control module terminal 8, ground terminal |     | BN    |
| 4    | Motronic 4.4 control module terminal, B:36             |     | Y-SB  |
| 5    | Horn switch  |     | BN-SB |
| 6    | -  |     |       |
| 7    | Left front Turn signal lamp terminal 2                 |     | GN    |
| 8    | Right front turn signal lamp terminal 1                |     | BL-GN |
| 9    | Left side turn signal flasher terminal 1               |     | GN    |
| 10   | Control module, cruise control terminal, E:3           |     | P-SB  |
| 11   | Vacuum pump, cruise control terminal 3                 |     | Y-W   |
| 12   | Vacuum pump, cruise control terminal 1                 |     | OR    |
| 13   | Vacuum pump, cruise control terminal 2                 |     | GN-BN |
| 14   | -  |     |       |

## Connectors A10 and A11



### A10 White 5 pin

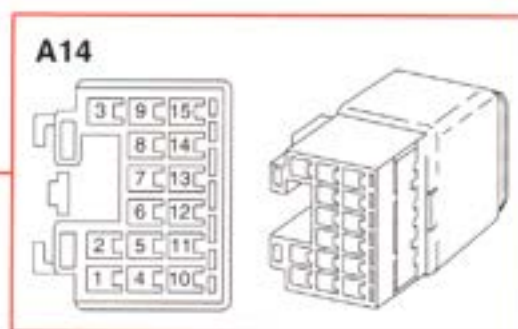
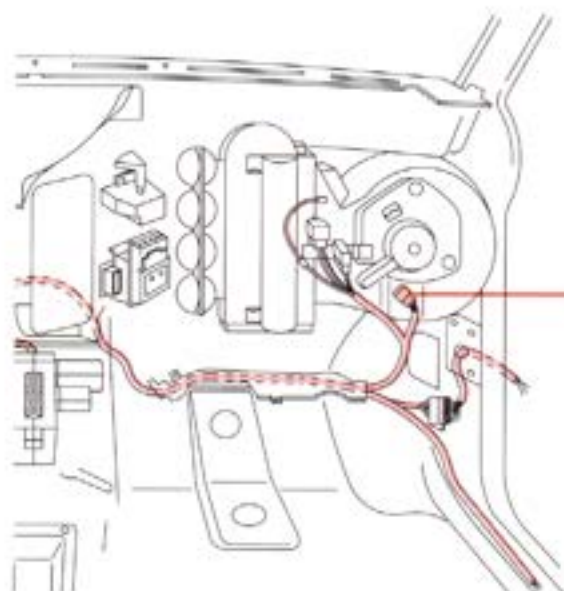
Passenger compartment cable harness - climate control ECC cable harness

| Term | To/From  | Via | Color |
|------|--|-----|-------|
| 1    | ECC control module terminal. A.6 (vehicle speed signal)                    |     | Y-GR  |
| 2    | ECC control module terminal. B.4 (engine coolant temperature (ECT) sensor) |     | GN-SB |
| 3    | ECC control module terminal. B.3 (engine coolant temperature (ECT) sensor) |     | GN    |
| 4    | -  |     |       |
| 5    | ECC control module terminal. A.20  |     | R     |

### A11 White 6 pin

Passenger compartment cable harness - climate control ECC cable harness

| Term | To/From  | Via | Color |
|------|--|-----|-------|
| 1    | Climate control, X+ supply                     |     | OR    |
| 2    | Climate control, ground terminal               |     | SB    |
| 3    | Anti-theft alarm LED terminal 4                |     | Y-W   |
| 4    | -  |     |       |
| 5    | Climate Control Module, control panel lighting |     | BN-SB |
| 6    | Climate Control Module                         |     | BN    |

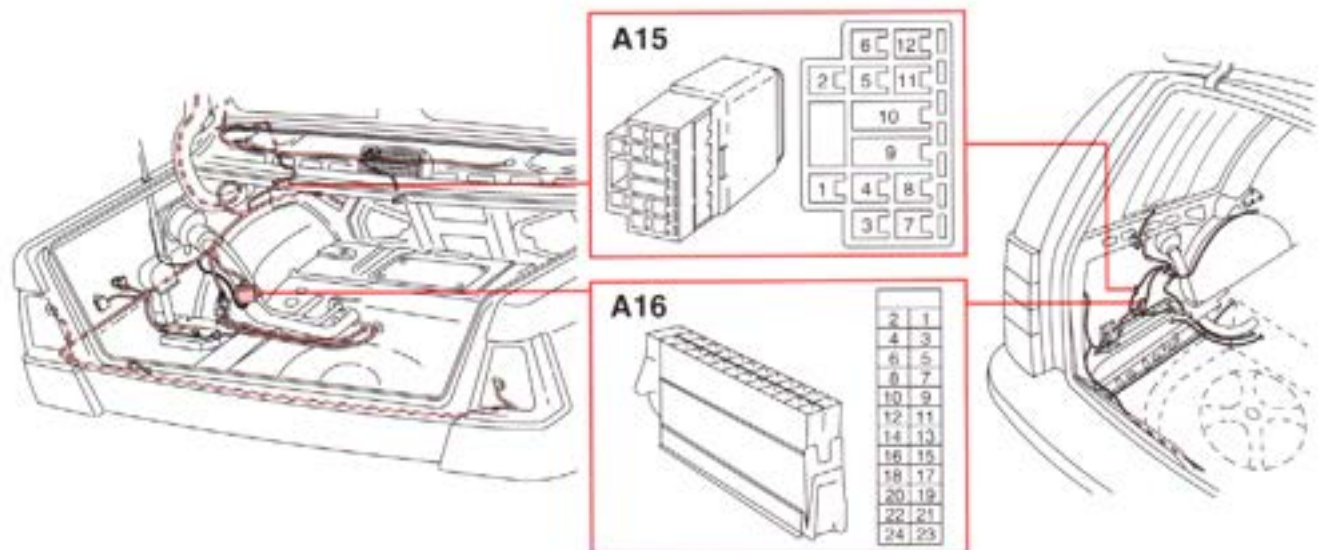


## A14 White 15 pin

### Passenger compartment cable harness - ABS cable harness

| Term | To/From  | Via    | Color |
|------|--|--------|-------|
| 1    | ABS control module terminal 7  |        | GN-W  |
| 2    | ABS control module terminal 1, +15 supply  |        | BL-R  |
| 3    | Combined instrument panel terminal. C:1, ABS warning lamp  | A1/C:1 | GN    |
| 4    | ABS control module terminal 9  |        | BN-W  |
| 5    | ABS control module terminal 25, brake signal   |        | Y-BN  |
| 6    | ABS control module terminal 15   |        | R     |
| 7    | Engine coolant level switch terminal 1   |        | GR-OR |
| 8    | Right side turn signal flasher terminal 1 (Not USA/CDN)  |        | BL-GN |
| 9    | Anti-theft alarm terminal. A:8   |        | BN-OR |
| 10   | Front passenger side door switch: door open warning lamp   |        | BL-SB |
| 11   | Front passenger side door switch: Courtesy lighting, Delayed interior lighting<br>Anti-theft alarm relay |        | W-SB  |
| 12   | Alarm siren terminal 2   |        | W-SB  |
| 13   | Alarm siren terminal 1   |        | BL-GN |
| 14   | -  |        |       |
| 15   | Data link connector (DLC) terminal 12  |        | Y     |

## Connectors A15 and A16



### A15 White 12 pin

Passenger compartment cable harness - parcel shelf cable harness (4DRS)

Passenger compartment cable harness - cargo compartment cable harness (5DRS)

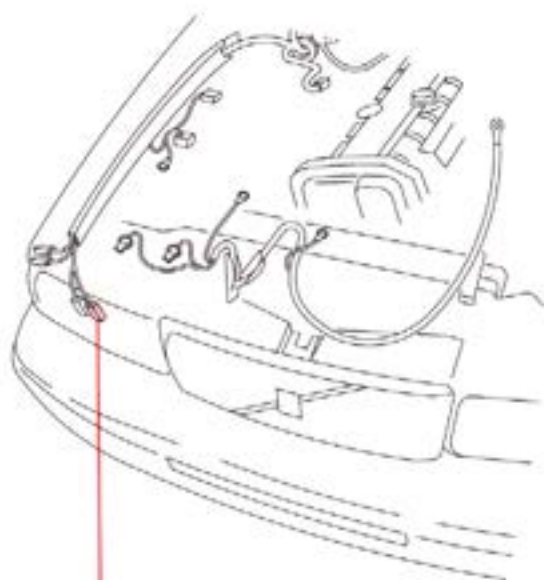
| Term | To/From   | Via          | Color |
|------|---|--------------|-------|
| 1    | -   |              |       |
| 2    | High-mounted stop (brake) lamps terminal 1 (not 5DRS)                                 |              | Y-SB  |
| 3    | High-mounted stop (brake) lamps terminal 2 (not 5DRS)                                 |              | SB    |
| 4    | Cargo compartment lighting, 30+ supply  |              | GN-R  |
| 5    | Connector A16 terminal 9  |              | BL-SB |
| 6    | -   |              |       |
| 7    | Parcel shelf loudspeakers left (+) (not 5DRS)<br>Left loudspeakers D-post (+) (V90)   |              | GN-W  |
| 8    | Parcel shelf loudspeakers left (-) (not 5DRS)<br>Left loudspeakers D-post (-) (V90)   |              | GN-SB |
| 9    | Rear demist   | A27:1 (5DRS) | Y     |
| 10   | -   |              |       |
| 11   | Parcel shelf loudspeakers right (+) (not 5DRS)<br>Right loudspeakers D-post (+) (V90) |              | BN-W  |
| 12   | Parcel shelf loudspeakers right (-) (not 5DRS)<br>Right loudspeakers D-post (-) (V90) |              | BN-SB |

## A16 Black 24 pin

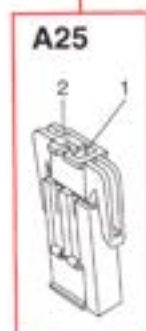
## Passenger compartment cable harness - cargo compartment cable harness

| Term | To/From   | Via          | Color |
|------|---|--------------|-------|
| 1    | Intermittent relay tailgate wiper terminal 3  |              | OR    |
| 2    | Rear parking lamps<br>License plate lighting  | 7/1<br>A27:2 | W     |
| 3    | Rear parking lamps  | 7/1          | GR    |
| 4    | Bulb failure warning sensor rear terminal 8, 15I+ supply  |              | Y-GR  |
| 5    | Fog tail lamp   |              | VO-W  |
| 6    | Back-up (reversing) lamp left tail lamp   |              | BN-P  |
| 7    | Turn signal lamp, left rear   |              | GN    |
| 8    | Turn signal lamp, right rear  |              | BL-GN |
| 9    | Anti-theft alarm terminal. B:9<br>Connector A15 terminal 5<br>Tailgate lock unit terminal 1 (USA/CDN, 4DRS)   |              | BL-SB |
| 10   | Tailgate lock unit terminal 5 (USA/CDN, 4DRS)<br>Tailgate central locking motor terminal. B:2 (USA/CDN, 5DRS) | A69:4        | BN-W  |
| 11   | tailgate lock unit terminal 6 (4DRS)<br>Tailgate central locking motor (+) (5DRS)                             | A69:1        | R-W   |
| 12   | Tailgate lock unit terminal 7 (4DRS)<br>Tailgate central locking motor (-) (5DRS)                             | A69:2        | BL-R  |
| 13   | Rear bulb failure warning sensor terminal 12 (stop (brake) lamp)  |              | Y-BN  |
| 14   | Rear bulb failure warning sensor terminal 11 (Bulb failure warning lamp)                                      |              | P-SB  |
| 15   | Rear bulb failure warning sensor terminal 10 (high-mounted stop (brake) lamps) (4DRS)                         |              | Y-SB  |
| 16   | High-mounted stop (brake) lamps, ground terminal (4DRS)   | 33/602       | SB    |
| 17   | Intermittent relay tailgate wiper terminal 4  |              | BL-OR |
| 18   | Intermittent relay tailgate wiper terminal 6  |              | R     |
| 19   | Intermittent relay tailgate wiper terminal 5  |              | Y     |
| 20   | -   |              |       |
| 21   | -   |              |       |
| 22   | -   |              |       |
| 23   | -   |              |       |
| 24   | -   |              |       |

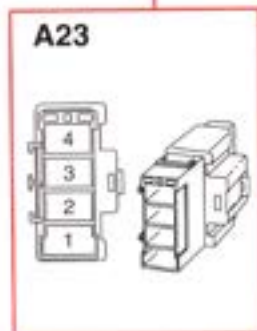
## Connectors A17, A22, A23 and A25



**LHD**



**RHD**



## Connectors A17, A22, A23 and A25

### A17 Yellow 2 pin

#### Passenger compartment harness - dashboard harness

| Term | To/From  | Via | Color |
|------|--|-----|-------|
| 1    | Radio, ground terminal<br>CD player, ground terminal |     | SB    |
| 2    | Rear demist switch terminal 1                        |     | Y-SB  |

### A22 Gray 2 pin

#### Engine compartment harness - passenger compartment harness

| Term | To/From                              | Via | Color |
|------|--------------------------------------|-----|-------|
| 1    | Connector A23 terminal 3, 30+ supply |     | Y     |
| 2    | Connector A23 terminal 4, 30+ supply |     | Y     |

### A23 White 4 pin

#### Passenger compartment cable harness - ABS cable harness

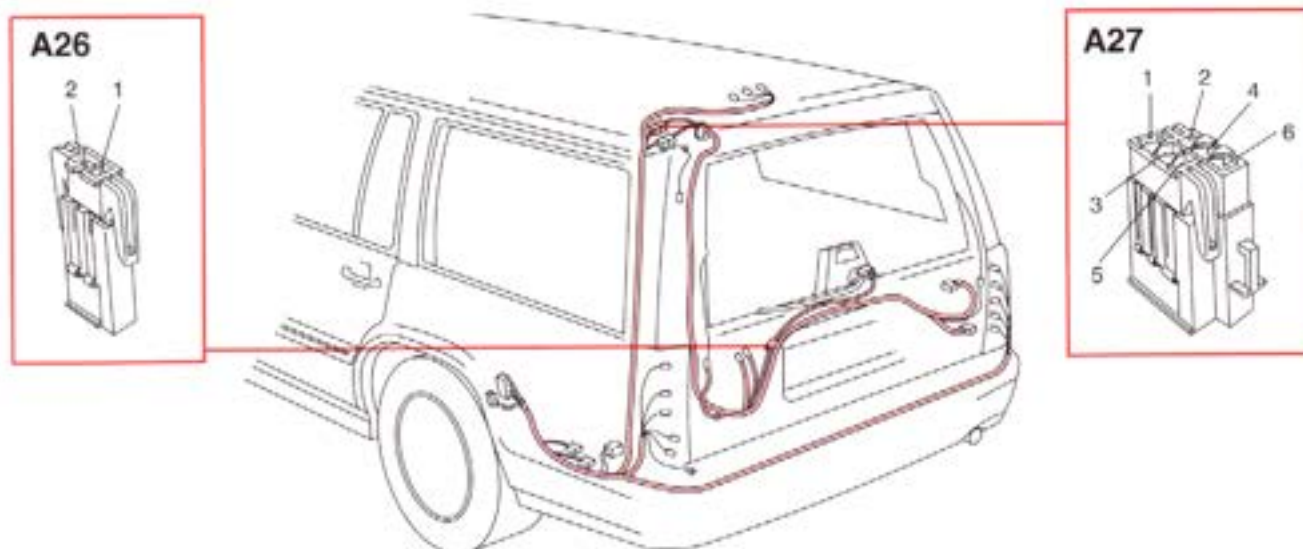
| Term | To/From  | Via        | Color  |
|------|--|------------|--------|
| 1    | -  |            |        |
| 2    | Fuses 11C/1 up to and including 11C/4 and overload relay 2/30                  | 30+ supply | 33/204 |
| 3    | Fuses 11C/13 up to and including 11C/18 and automatic fuse 11C/CB1, 30+ supply | 33/205     | Y      |
| 4    | Overload relay 2/6, 30+ supply   |            | VO     |

### A25 Black 2 pin

#### Passenger compartment harness - pedal plate harness

| Term | To/From                                      | Via | Color |
|------|--|-----|-------|
| 1    | Control cruise control terminal 1            |     | W-SB  |
| 2    | Control module, cruise control terminal, E:9 |     | OR-SB |

## Connectors A26 and A27



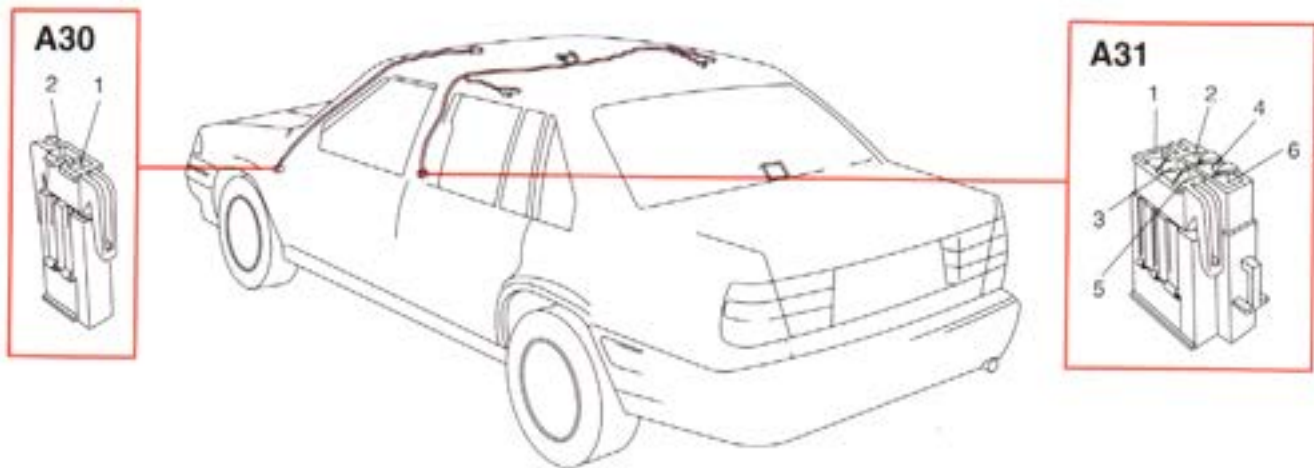
### A26 Gray 2 pin High-level brake light harness - tailgate harness

| Term | To/From   | Via   | Color |
|------|---|-------|-------|
| 1    | High-mounted stop (brake) lamps terminal 1  |       | Y-SB  |
| 2    | Ground terminal for: High-mounted stop (brake) lamps. Rear demist. Tailgate wiper motor. License plate lighting | A27:6 | SB    |

### A27 Black 6 pin Cargo compartment harness - tailgate harness

| Term | To/From   | Via    | Color |
|------|---|--------|-------|
| 1    | Rear demist, +rear demist   |        | Y     |
| 2    | License plate lighting terminal 1, +supply  |        | W     |
| 3    | Intermittent relay tailgate wiper terminal 3  |        | OR    |
| 4    | Intermittent relay tailgate wiper terminal 1  |        | Y-W   |
| 5    | Rear bulb failure warning sensor terminal 10 (high-mounted stop (brake) lamps)                                  |        | Y-SB  |
| 6    | Ground terminal for: High-mounted stop (brake) lamps, Rear demist. Tailgate wiper motor. License plate lighting | 33/602 | SB    |

## Connectors A30 and A31



### A30 Natural 2-pin

Passenger compartment harness - power sunroof harness

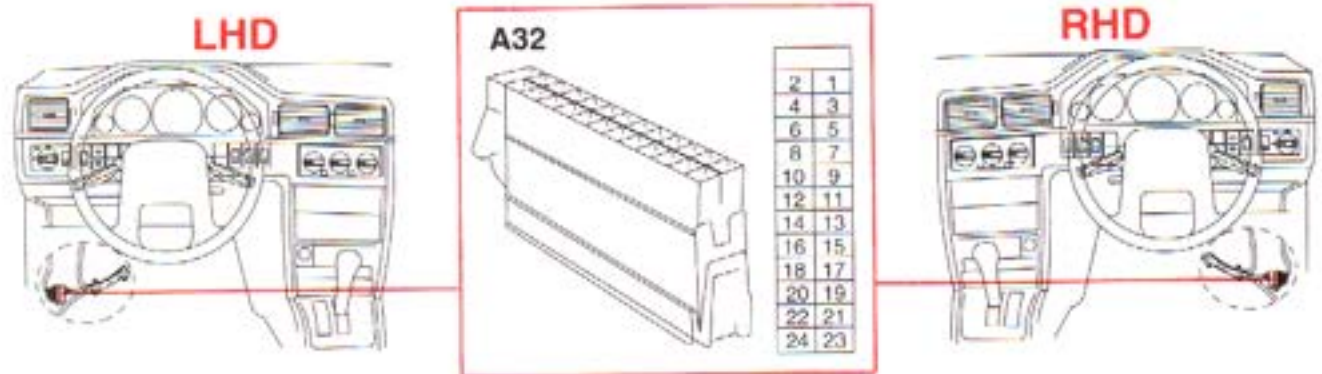
| Term | To/From                  | Via | Color |
|------|--------------------------|-----|-------|
| 1    | Sunroof motor terminal 1 |     | BL    |
| 2    | Sunroof motor terminal 2 |     | R     |

### A31 Natural 6-pin

Passenger compartment harness - interior lighting harness)

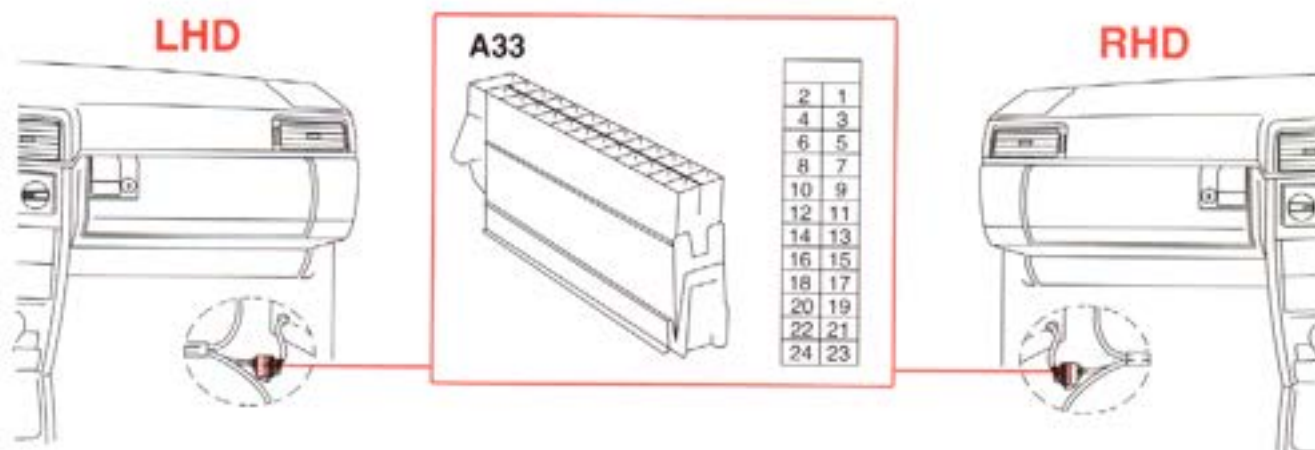
| Term | To/From  | Via            | Color |
|------|--|----------------|-------|
| 1    | Roof lamp terminal 3   |                | BL-SB |
| 2    | Ground terminal for: roof lamp and rear reading lamp   | 33/226         | SB    |
| 3    | -  |                |       |
| 4    | 30+ supply to:<br>Roof lamp terminal 4<br>Rear reading lamp terminal 1<br>Cargo compartment lighting terminal 1 (4DRS)<br>Cargo compartment lamp terminal 1 (5DRS) | A15:4<br>A15:4 | GN-R  |
| 5    | Passenger compartment temperature sensor connector 3   |                | GN    |
| 6    | Passenger compartment temperature sensor connector 5   |                | GN-SB |

## Connector A32



### A32 Black 24-pin Passenger compartment harness - driver door harness

| Term | To/From   | Via                          | Color    |
|------|---|------------------------------|----------|
| 1    | Door open warning lamp, 30+ supply  |                              | GN-R     |
| 2    | Door open warning lamp (-)  |                              | BL-SB    |
| 3    | Loudspeakers (+)  |                              | W        |
| 4    | Loudspeakers (-)  |                              | W-SB     |
| 5    | Lock unit central locking terminal 4 (+)  |                              | R-W      |
| 6    | Lock unit central locking terminal 5 (-)  |                              | BL-R     |
| 7    | Power door mirror terminal 5  |                              | BL-GN    |
| 8    | Power door mirror passenger side switch terminal 5  |                              | BL-W     |
| 9    | Power door mirror passenger side switch terminal 1  |                              | BN-W     |
| 10   | Power door mirrors terminal 2, X+ supply  |                              | OR       |
| 11   | Power door mirror passenger side switch terminal 3  |                              | GN-W     |
| 12   | Lock unit central locking terminal 1, ground terminal                                     |                              | SB       |
| 13   | Lock unit central locking terminal 2, unlocking   |                              | GN-SB    |
| 14   | Lock unit central locking terminal 3, locking   |                              | BN-SB    |
| 15   | Right rear door power window switch, terminal 1   |                              | GN-BN    |
| 16   | Right rear door power window switch, terminal 2   |                              | Y-GR     |
| 17   | Left rear door power window switch, terminal 1  |                              | GN       |
| 18   | Left rear door power window switch, terminal 2  |                              | GR       |
| 19   | Contact breaker for rear power windows terminal 2   |                              | P        |
| 20   | Power window switch terminal 4, + supply<br>Autodown relay terminal 3                     | 33/402                       | Y-R      |
| 21   | Ground terminal for: heated driver's side door mirror, power door mirrors, autodown relay | 33/227 (LHD)<br>33/232 (RHD) | SB<br>SB |
| 22   | Passenger side power window switch, terminal 1  |                              | BL       |
| 23   | Passenger side power window switch, terminal 2  |                              | R        |
| 24   | Central locking lock unit terminal 6  |                              | Y-SB     |

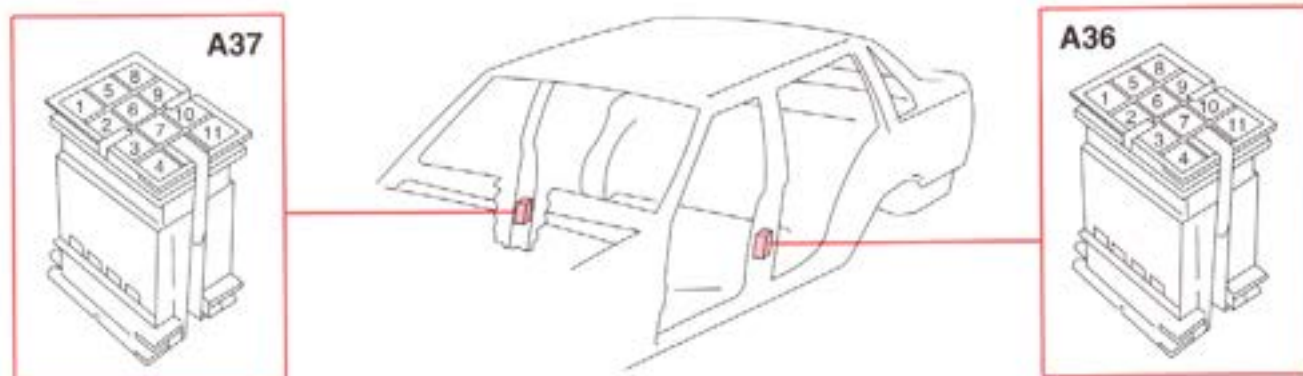


**A33 Black 24-pin**

**Passenger compartment harness - passenger door harness**

| Term | To/From  | Via                          | Color |
|------|--|------------------------------|-------|
| 1    | Door open warning lamp, 30+ supply   |                              | GN-R  |
| 2    | Door open warning lamp (-)   |                              | BL-SB |
| 3    | Loudspeakers (+)   |                              | Y-W   |
| 4    | Loudspeakers (-)   |                              | Y-SB  |
| 5    | Lock unit central locking terminal 4 (+)   |                              | R-W   |
| 6    | Lock unit central locking terminal 5 (-)   |                              | BL-R  |
| 7    | Heated door mirror terminal 5  |                              | BL-GN |
| 8    | Power door mirror terminal 2   |                              | BL-W  |
| 9    | Power door mirror terminal 1   |                              | BN-W  |
| 10   | -  |                              |       |
| 11   | Power door mirror terminal 4   |                              | GN-W  |
| 12   | -  |                              |       |
| 13   | Central locking lock unit terminal 2, unlocking (USA/CDN)                            |                              | Y-SB  |
| 14   | Central locking lock unit terminal 3, locking (USA/CDN)                              |                              | Y-SB  |
| 15   | -  |                              |       |
| 16   | -  |                              |       |
| 17   | -  |                              |       |
| 18   | -  |                              |       |
| 19   | -  |                              |       |
| 20   | -  |                              |       |
| 21   | Ground terminal for: passenger side door mirror, central locking lock unit (USA/CDN) | 33/232 (LHD)<br>33/227 (RHD) | SB    |
| 22   | Passenger side power window switch, terminal 3                                       |                              | BL    |
| 23   | Passenger side power window switch, terminal 5                                       |                              | R     |
| 24   | Passenger side power window switch, terminal 4                                       |                              | Y-R   |

## Connectors A36 and A37



### A36 Natural 11-pin

#### Passenger compartment harness - left rear door harness

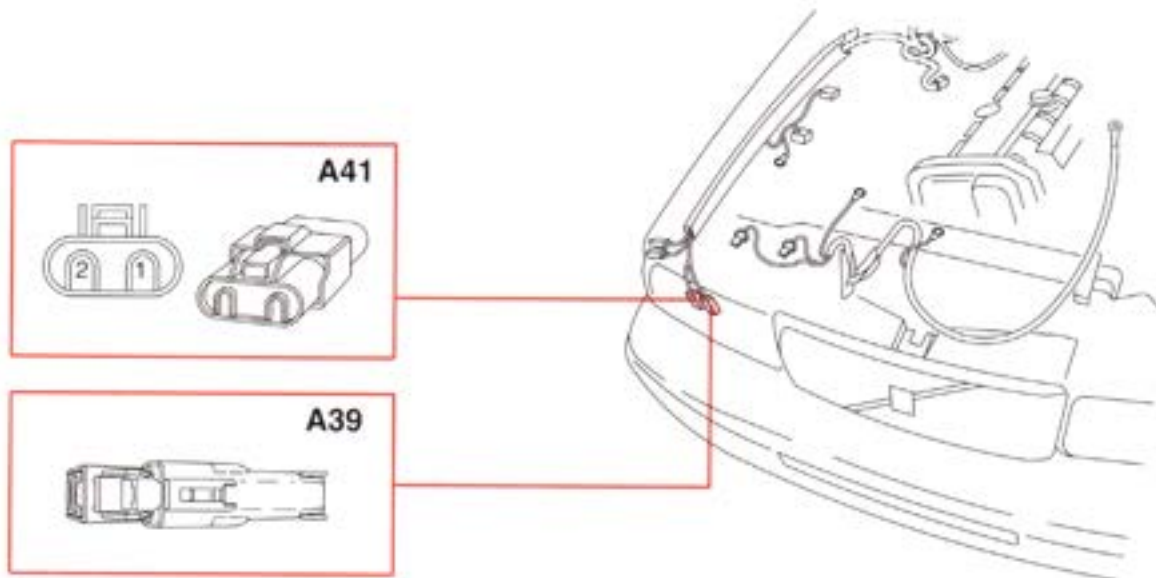
| Term | To/From                                       | Via | Color |
|------|---|-----|-------|
| 1    | Central locking terminal 1 (+)                |     | R-W   |
| 2    | Central locking terminal 2 (-)                |     | BL-R  |
| 3    | Door open warning lamp terminal 1, 30+ supply |     | GN-R  |
| 4    | Door open warning lamp terminal 2 (-)         |     | BL-SB |
| 5    | Power windows switch terminal 4               |     | P     |
| 6    | Power windows switch terminal 3               |     | GN    |
| 7    | Power windows switch terminal 5               |     | GR    |
| 8    | Loudspeakers terminal 2 (-)                   |     | GN-SB |
| 9    | Loudspeakers terminal 1 (+)                   |     | GN-W  |
| 10   | -   |     |       |
| 11   | -   |     |       |

### A37 Natural 11-pin

#### Passenger compartment harness - right rear door harness

| Term | To/From                                       | Via | Color |
|------|---|-----|-------|
| 1    | Central locking terminal 1 (+)                |     | R-W   |
| 2    | Central locking terminal 2 (-)                |     | BL-R  |
| 3    | Door open warning lamp terminal 1, 30+ supply |     | GN-R  |
| 4    | Door open warning lamp terminal 2 (-)         |     | BL-SB |
| 5    | Power windows switch terminal 4               |     | P     |
| 6    | Power windows switch terminal 3               |     | GN    |
| 7    | Power windows switch terminal 5               |     | GR    |
| 8    | Loudspeakers terminal 2 (-)                   |     | GN-SB |
| 9    | Loudspeakers terminal 1 (+)                   |     | GN-W  |
| 10   | -   |     |       |
| 11   | -   |     |       |

## Connectors A39 and A41



### A39 Black 1-pin

Anti-lock braking ABS harness - engine compartment harness

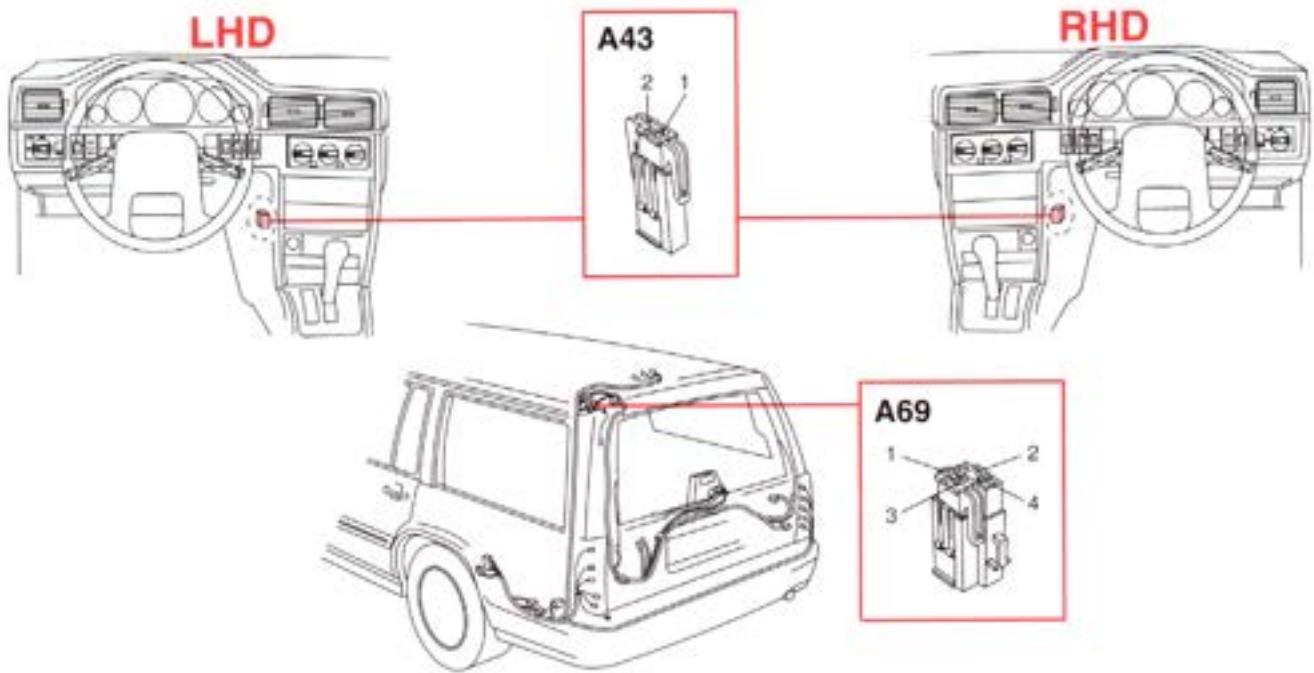
| Term | To/From                         | Via    | Color |
|------|---------------------------------|--------|-------|
| 1    | ABS modulator terminal 6 and 10 | 33/700 | R     |

### A41 Black 2-pin

Anti-lock braking ABS harness - engine compartment harness

| Term | To/From                         | Via    | Color |
|------|---------------------------------|--------|-------|
| 1    | Connector A23-2                 |        | R     |
| 2    | ABS modulator terminal 6 and 10 | 33/700 | R     |

## Connectors A43 and A69

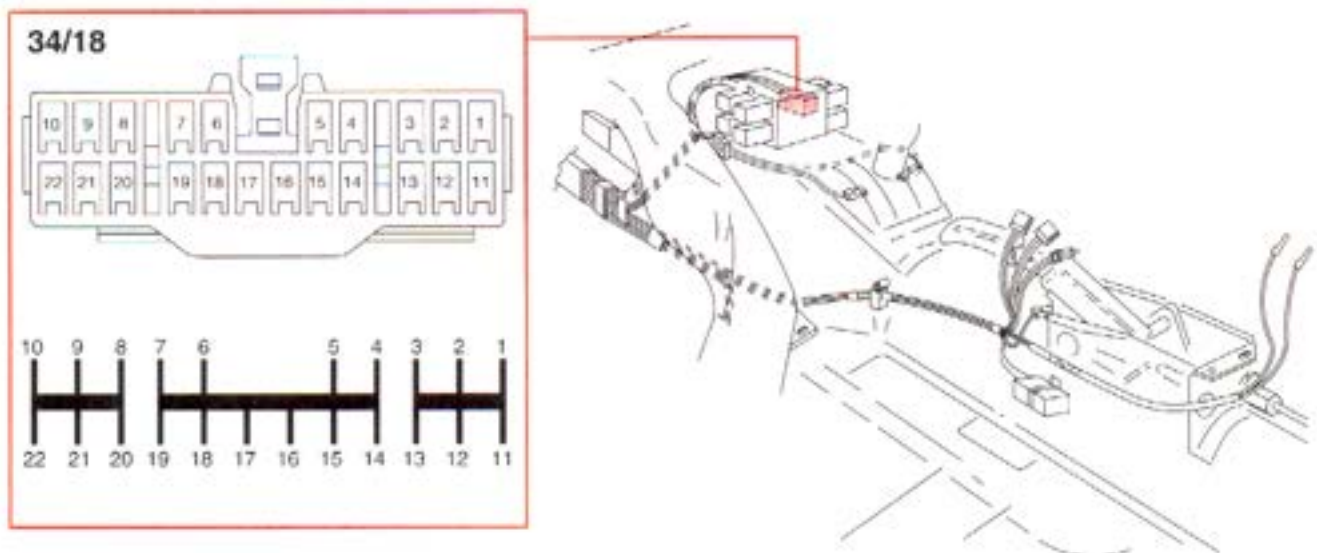


### A43 Natural 2-pin Dashboard harness - CD changer harness

| Term | To/From                    | Via | Color |
|------|----------------------------|-----|-------|
| 1    | CD player (+)              |     | GN-GR |
| 2    | CD player, ground terminal |     | SB    |

### A69 Black 4-pin Cargo compartment harness - tailgate harness

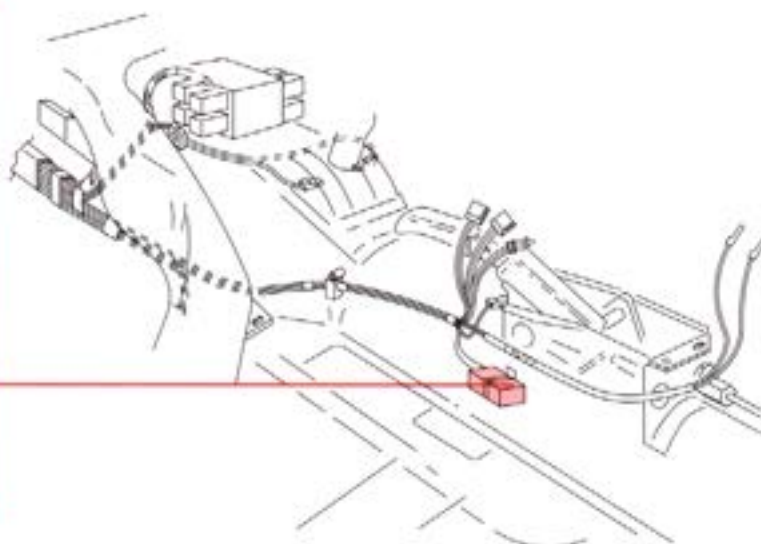
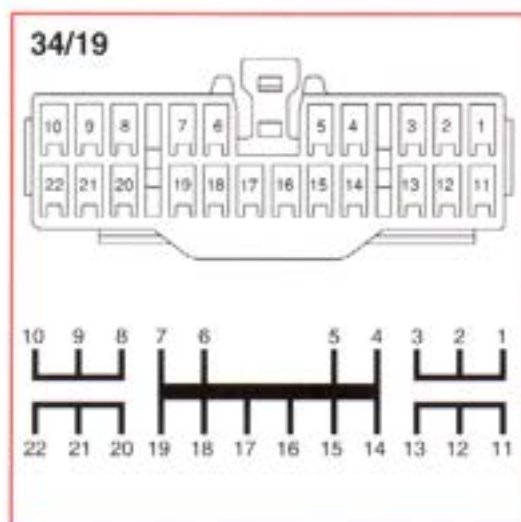
| Term | To/From                                | Via | Color |
|------|--|-----|-------|
| 1    | Central locking motor terminal A:1 (+) |     | R-W   |
| 2    | Central locking motor terminal A:2 (-) |     | BL-R  |
| 3    | -                                      |     |       |
| 4    | Central locking motor B:2 (USA/CDN)    |     | BN-W  |



**34/18 Black 22-pin  
Terminal block in passenger compartment central relay module**

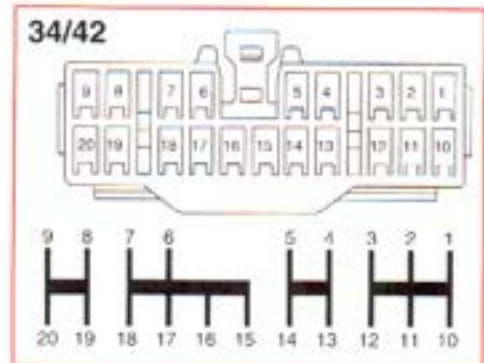
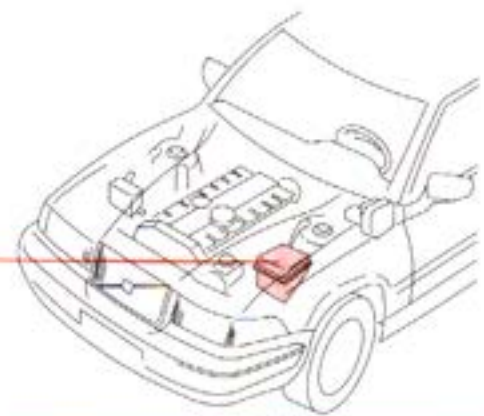
| Term | To/From   | Via  | Color |
|------|---|--|-------|
| 1    | Power seat control module terminal. A:4   | B6:4                                       | Y     |
| 2    | Data link connector (DLC) terminal 7  |  | Y     |
| 3    | AW30-40/43 control module terminal 21<br>Motronic control module terminal B:36 (USA/CDN)                | A1/A:19 (LHD)<br>A2/A:19 (RHD)             | Y     |
| 4    | AW30-40/43 mode selector terminal 4   |  | BN-SB |
| 5    | Gear selector light terminal 1  | A34:1                                      | BN-SB |
| 6    | Right-hand side heated seat switch terminal 2 (S90/V90)   |  | BN-SB |
| 7    | -   |  |       |
| 8    | Exhaust temperature sensor relay terminal 4   |  | SB    |
| 9    | Terminal block 34/19:5, by parking brake bracket  |  | SB    |
| 10   | Rear windshield/heated door mirrors relay terminal 6  |  | SB    |
| 11   | -   |  |       |
| 12   | Supplemental Restraint System Crash Sensor terminal 9   |  | Y-R   |
| 13   | Park/neutral position (PNP) switch control module terminal 3  |  | Y-R   |
| 14   | Connector D10:3   |  | BN-SB |
| 15   | Seat heater switch lighting terminal 1 (960)<br>Heated seat switch left-hand side, terminal 2 (S90/V90) |  | BN-SB |
| 16   | Combined instrument panel terminal. B:12  | 33/300 and<br>A1E:2 (LHD)<br>A6/B:17 (RHD) | BN-SB |
| 17   | Rear ashtray lighting terminal 1  |  | BN-SB |
| 18   | ECC Climate Control Module terminal. A:7<br>Climate Control Module MCC, terminal. A:5                   | A11:5                                      | BN-SB |
| 19   | -   |  |       |
| 20   | Intermittent relay windshield wiper terminal 2  |  | SB    |
| 21   | Seat belt reminder/key warning relay terminal 2   |  | SB    |
| 22   | Anti-theft alarm terminal. A:2  |  | SB    |

## Terminal block 34/19



### 34/19 Gray 22-pin Terminal block at hand brake bracket

| Term | To/From  | Via  | Color |
|------|--|--|-------|
| 1    | AW 30-40/43 mode selector terminal 7 (960)                                 |  | BL-GN |
| 2    | Fuse 11C/11:2 (960)  |  | BL-GN |
| 3    | Central locking relay / delayed interior lighting terminal. B:4 (960)      |  | BL-GN |
| 4    | AW 30-40/43 mode selector terminal 3                                       |  | SB    |
| 5    | Terminal block 34/18:9, relay box passenger compartment                    |  | SB    |
| 6    | Right seat support ground terminal   |  | SB    |
| 7    | Shift lock solenoid terminal 4<br>Gear selector light terminal 2 (S90/V90) | A34:4                                      | SB    |
| 8    | Terminal block 34/19 terminal 19 and 20                                    | 33/201                                     | SB    |
| 9    | Driver's seat seat belt lock terminal. B:4 (LHD)                           |  | SB    |
| 10   | AW 30-40/43 mode selector terminal 5                                       |  | SB    |
| 11   | ECC control module terminal. 6   | A10:1                                      | GN-OR |
| 12   | Combined instrument panel terminal. D:1                                    | 33/302 and<br>A1/E:13(LHD)<br>A2/C:8 (RHD) | GN-OR |
| 13   | Control module, cruise control terminal. B:8                               |  | GN-OR |
| 14   | Seat heater switch lighting terminal 2 (960)                               |  | SB    |
| 15   | Gear selector light terminal 2, (960)                                      | A34:3                                      | SB    |
| 16   | Rear ashtray lighting terminal 2   |  | SB    |
| 17   | Heated seat switch left-hand side  |  | SB    |
| 18   | Heated seat switch right-hand side   |  | SB    |
| 19   | Terminal block 34/19 terminal 8 and 20                                     | 33/201                                     | SB    |
| 20   | Terminal block 34/19 terminal 8 and 19                                     | 33/201                                     | SB    |
| 21   | -  |  |       |
| 22   | Combined instrument panel terminal. A:4 (speedometer, ground terminal)     | A1/D:4<br>A6/B:15                          | SB    |



### 34/42 Natural 20-pin Terminal block in relay/fusebox engine compartment

| Term | To/From  | Via                           | Color |
|------|--|-------------------------------|-------|
| 1    | Left front fender ground terminal  |                               | SB    |
| 2    | starter motor relay terminal 4 (not S90/V90 AUTO)<br>Automatic transmission Park/Neutral position (PNP) switch | A3/G:2                        |       |
| 3    | Relay parking lamps terminal 4   |                               | SB    |
| 4    | Windshield wiper/washer switch terminal 8  | A1/A:8 (LHD)<br>A2/A:5 (RHD)  | BL-R  |
| 5    | Washer motor front terminal 1  |                               | BL-R  |
| 6    | Junction point 33/218  | A1/A:23 (LHD)<br>A2/A:6 (RHD) | Y     |
| 7    | -  |                               |       |
| 8    | Horn 2   |                               | Y-W   |
| 9    | Horn 1   |                               | Y-W   |
| 10   | Ignition coil relay terminal 4   |                               | SB    |
| 11   | Cable shield   |                               |       |
| 12   | -  |                               |       |
| 13   | Left headlamp wiper motor terminal 1   |                               | BL-R  |
| 14   | Right headlamp wiper motor terminal  |                               | BL-R  |
| 15   | -  |                               |       |
| 16   | Left headlamp wiper motor terminal 2   |                               | Y     |
| 17   | Right headlamp wiper motor terminal 2  |                               | Y     |
| 18   | Horn relay terminal 2  |                               | Y     |
| 19   | -  |                               |       |
| 20   | Horn relay terminal 3  |                               | Y-W   |

## Ground points

|             |   |
|-------------|---|
| <b>31/1</b> | Right front lamp unit                             |
|             | Right front turn signal lamp                      |
|             | Right marker light unit                           |
|             | Right front fog light                             |
|             | Right headlamp washer motor                       |
|             | ABS hydraulic modulator                           |
|             | Pulsed secondary air injection system (PAIR) pump |
|             | Coolant level sensor                              |

|             |  |
|-------------|--|
| <b>31/2</b> | Horn   |
|             | Left front lamp unit   |
|             | Left front turn signal lamp  |
|             | Left marker light unit   |
|             | Left headlamp washer motor   |
|             | Main headlamp relay with bulb failure warning sensor                   |
|             | Washer motors  |
|             | Washer fluid level sensor  |
|             | Left front foglight  |
|             | Brake fluid level sensor   |
|             | Reduced low beam (DIM-DIP) relay                                       |
|             | Terminal block 34/42 (in integrated relay/fusebox engine compartment): |
|             | Relay parking lamps  |
|             | Relay ignition coils   |
|             | Relay starter motor  |
|             | Gear selector position indicator (S90/V90)                             |

|             |                           |
|-------------|---------------------------|
| <b>31/3</b> | Ground point battery-body |
|-------------|---------------------------|

|             |                             |
|-------------|-----------------------------|
| <b>31/4</b> | Ground point battery-engine |
|-------------|-----------------------------|

|             |                               |
|-------------|-------------------------------|
| <b>31/5</b> | Heated rear windshield (4DRS) |
|-------------|-------------------------------|

|                       |                                  |
|-----------------------|----------------------------------|
| <b>31/13<br/>4DRS</b> | Tail light units                 |
|                       | High-level stop (brake) lamp     |
|                       | Lock unit tailgate               |
|                       | License (number) plate lamp      |
|                       | Bulb failure warning sensor rear |
|                       | Cargo area lighting              |

|                                |                                   |
|--------------------------------|-----------------------------------|
| <b>31/13<br/>5DRS</b>          | Tail light units                  |
|                                | License (number) plate lamp       |
|                                | Bulb failure warning sensor rear  |
|                                | Tailgate wiper motor              |
|                                | Dome lighting cargo area          |
|                                | Heated rear window                |
|                                | Intermittent tailgate wiper relay |
|                                | High-level stop (brake) lamp      |
| Central locking motor tailgate |                                   |

|              |                        |
|--------------|------------------------|
| <b>31/16</b> | Windshield wiper motor |
|--------------|------------------------|

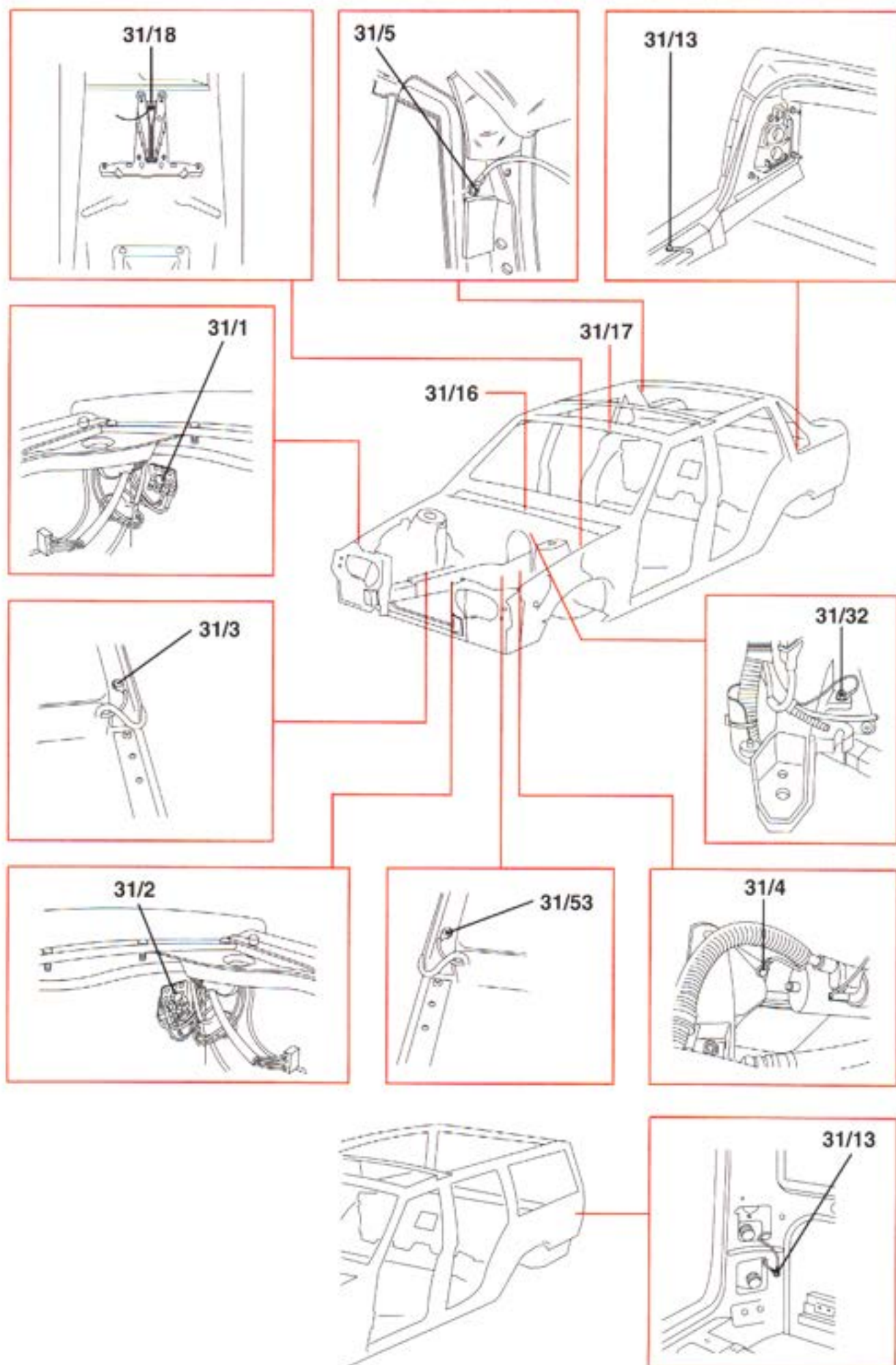
|              |               |
|--------------|---------------|
| <b>31/17</b> | Sunroof motor |
|--------------|---------------|

|              |            |
|--------------|------------|
| <b>31/18</b> | Radio      |
|              | CD changer |

|              |  |
|--------------|--|
| <b>31/32</b> | Power ground                                   |
|              | Ignition discharge module (IDM) Motronic (MFI) |

|              |  |
|--------------|--|
| <b>31/53</b> | Engine control module (ECM)              |
|              | Control module (TCM) AW 30-40/43         |
|              | Kick-down (KD) switch                    |
|              | Electronic start inhibitor (Immobilizer) |
|              | Data link connector (DLC)                |

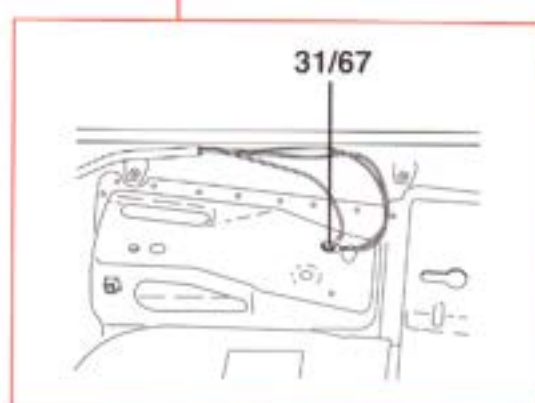
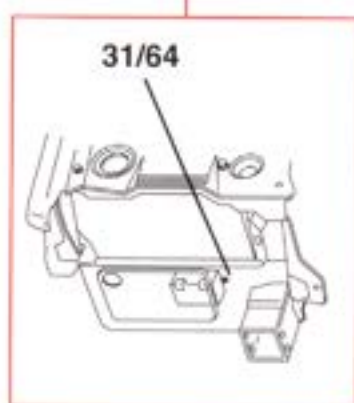
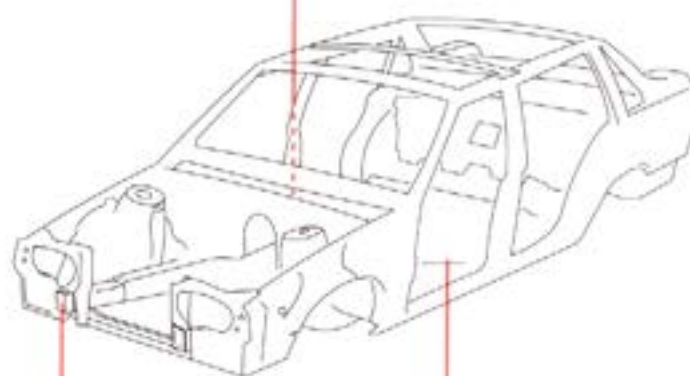
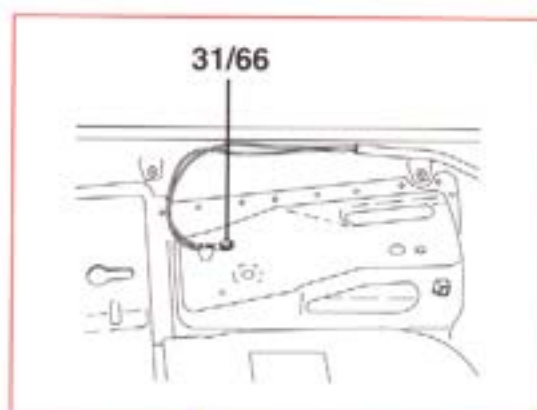
## Ground points



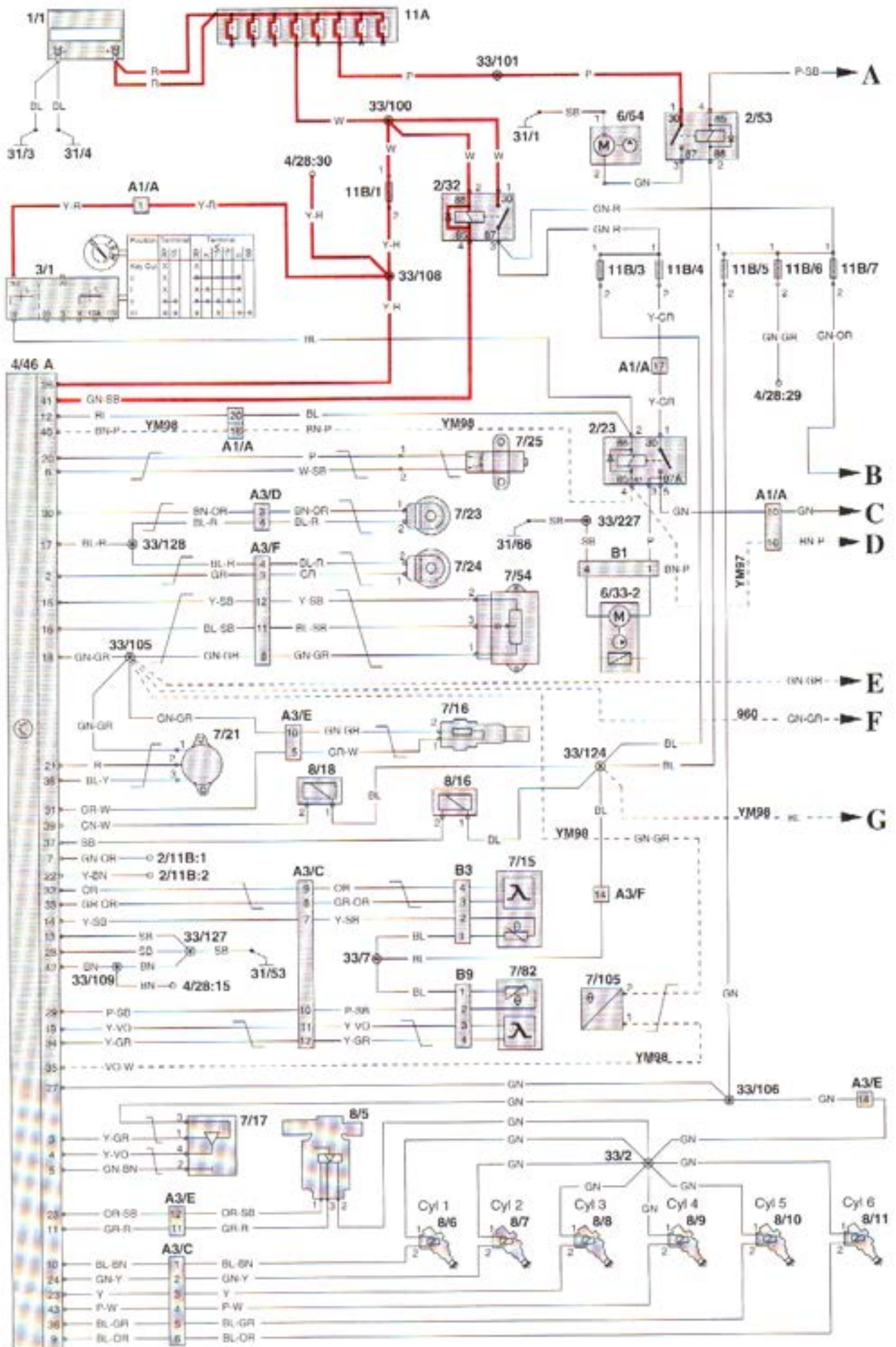
## Ground points

|              |  |
|--------------|--|
| <b>31/64</b> | Engine coolant fan (FC)                |
| <b>31/66</b> | Fuel pump                              |
|              | Switch for hazard flashers             |
|              | Left-hand side power seat              |
|              | Alarm switch, hood                     |
|              | Reading lamps                          |
|              | Courtesy light                         |
|              | Glove box lighting                     |
|              | Control panel lighting                 |
|              | Tailgate wiper switch/washer (LHD)     |
|              | Left side flasher unit                 |
|              | Power windows (LHD)                    |
|              | Power sunroof switch (LHD)             |
|              | Power door mirrors (LHD)               |
|              | Combined instrument panel              |
|              | Heated rear window/door mirrors switch |
|              | Heated door mirror, left side          |
|              | Cruise control                         |
|              | Cigarette lighter (LHD)                |
|              | Cigarette lighter lighting             |
|              | Ashtray lighting, front                |
|              | Radio lighting                         |
|              | Central locking switch (USA/CDN)       |
|              | Alarm LED (RHD)                        |
|              | Overload relays, 2/6 and 2/30 (LHD)    |
|              | Light switch                           |
|              | Fog lamp switch                        |
|              | Beam height control                    |
|              | Outside temperature sensor             |
|              | Tow hitch                              |
|              | Control module (TCM) AW 30-40/43       |
|              | Power antenna                          |
|              | Antenna amplifier                      |
|              | Vanity mirror lighting, left side      |
|              | Glass breakage sensor                  |
|              | Tilt sensor                            |
|              | Climate control (RHD)                  |
|              | Climate control panel lighting (RHD)   |
|              | Accessories (RHD)                      |

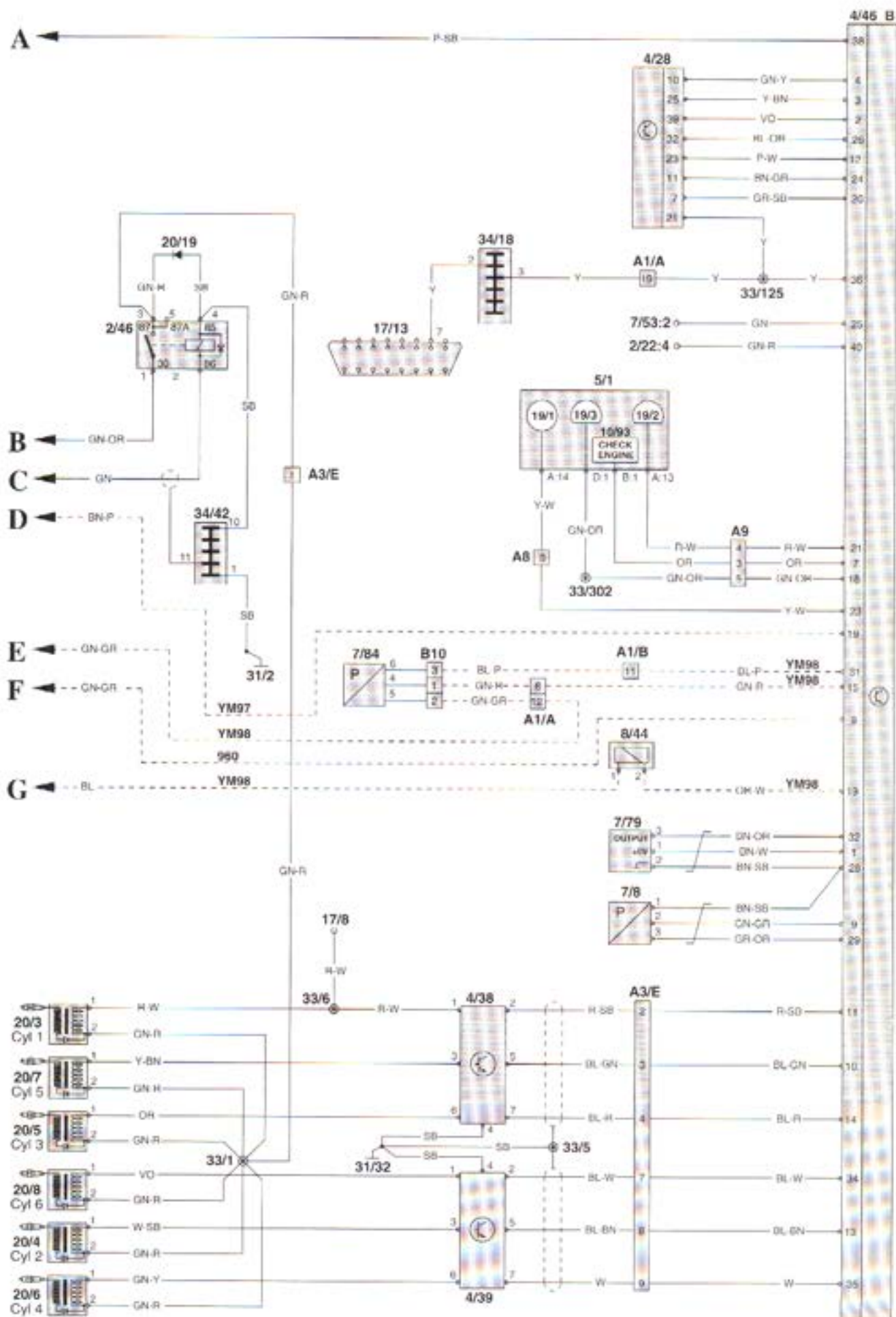
|              |  |
|--------------|--|
| <b>31/67</b> | Heated seats                                   |
|              | Central locking                                |
|              | Climate control (LHD)                          |
|              | Heated door mirror right side                  |
|              | Vanity mirror lighting right side              |
|              | Alarm LED (LHD)                                |
|              | Right side turn signal flasher                 |
|              | ABS control module                             |
|              | Data link connector (DLC)                      |
|              | Car alarm horn                                 |
|              | Alarm siren                                    |
|              | Right-hand side power seat                     |
|              | Relay driver's door 2-stage central locking    |
|              | Accessories (LHD)                              |
|              | Climate control panel lighting (LHD)           |
|              | Cigarette lighter (RHD)                        |
|              | Switch tailgate wiper/washer (RHD)             |
|              | Overload relays, 2/6 and 2/30 (RHD)            |
|              | Seat belt reminder (RHD)                       |
|              | Power windows (RHD)                            |
|              | Sunroof switch (RHD)                           |
|              | Power door mirrors (RHD)                       |
|              | Terminal block 34/19 (at handbrake bracket):   |
|              | Ashtray lighting rear                          |
|              | Gear selector light                            |
|              | Driving mode selector AW 30-40/43              |
|              | Switch lighting heated seat                    |
|              | Gear selector position indicator (S90/V90)     |
|              | Seat belt reminder (LHD)                       |
|              | Speedometer (signal ground)                    |
|              | Shift lock                                     |
|              | Terminal block 34/18 (in relay module tunnel): |
|              | Relay rear window/door mirror heating          |
|              | Relay exhaust temperature switch               |
|              | Intermittent wiper relay windscreen wiper      |
|              | Car alarm relay                                |
|              | Relay remote control central locking           |
|              | Seatbelt reminder/key warning relay            |



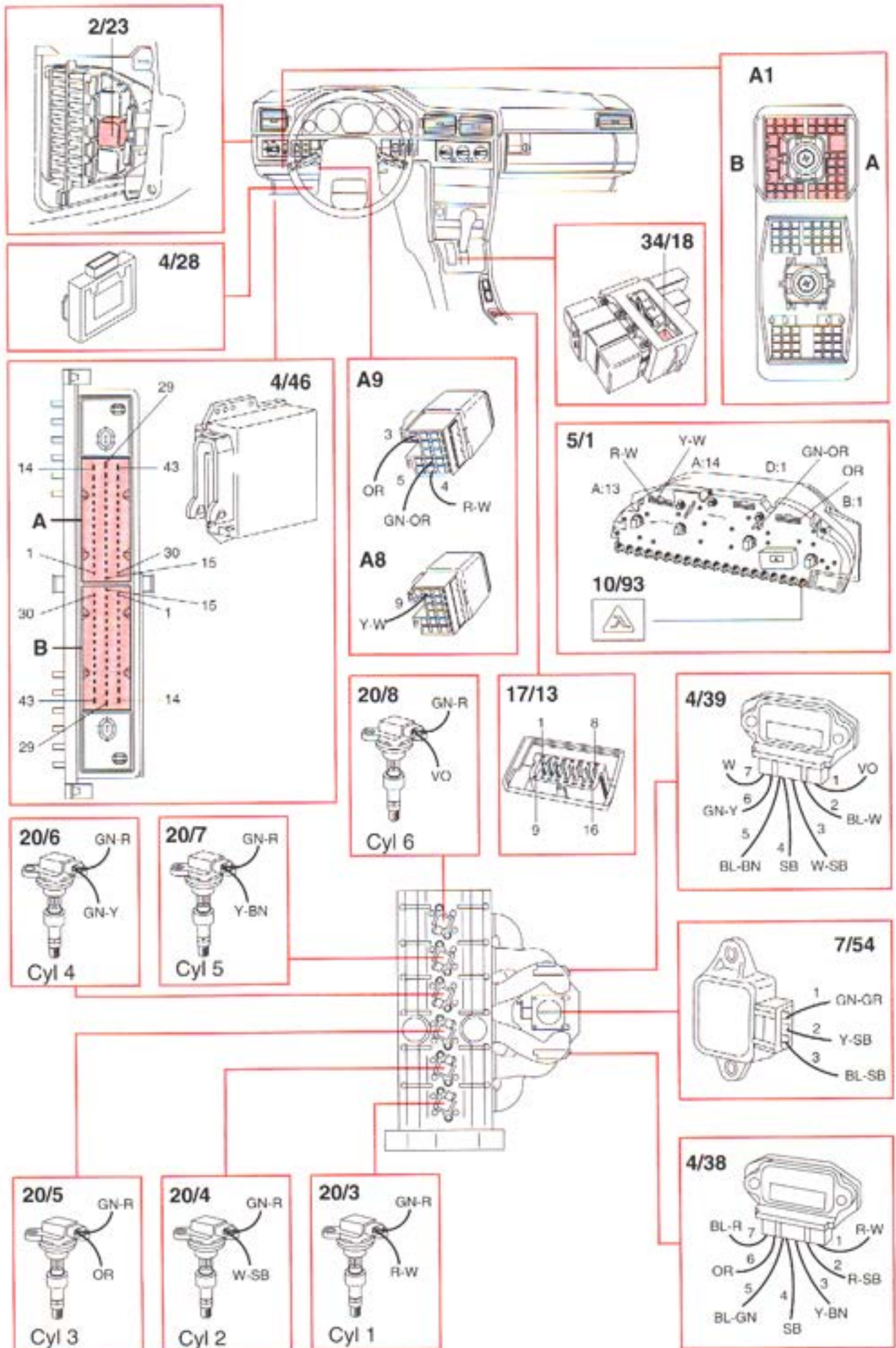
# Fuel and ignition system Motronic 4.4 USA, Canada



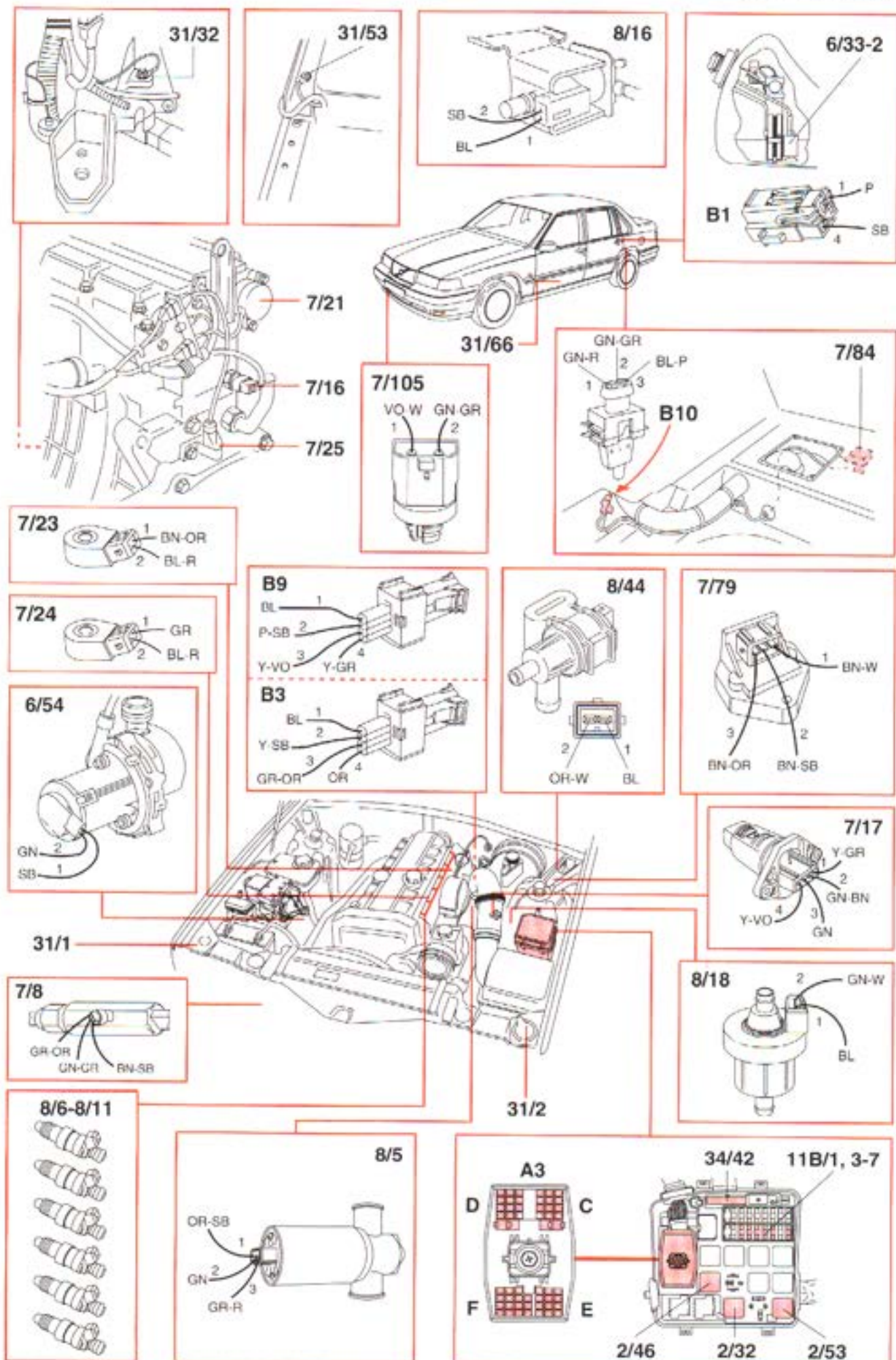
# Fuel and ignition system Motronic 4.4 USA, Canada



# Fuel and ignition system Motronic 4.4 USA, Canada

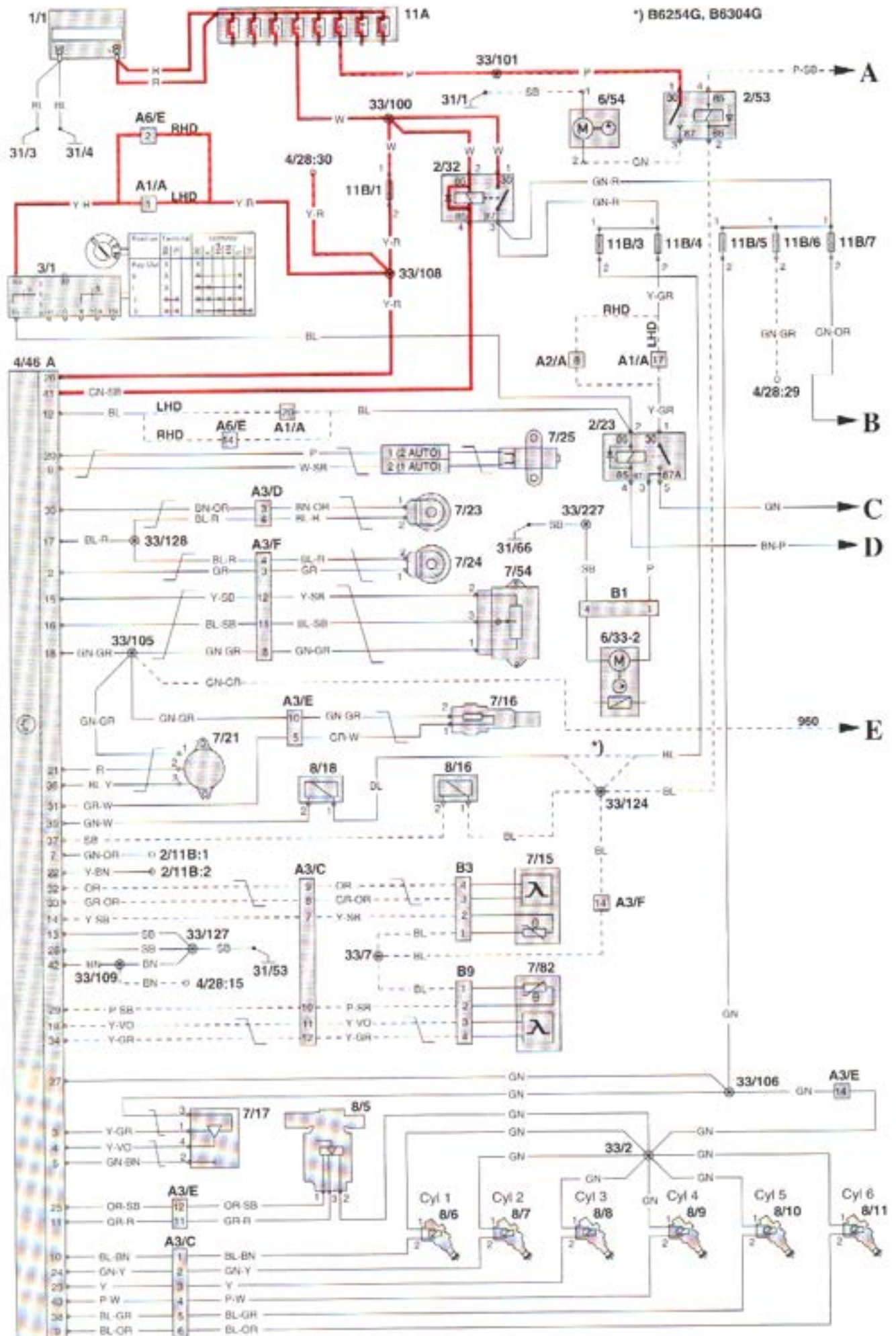


# Fuel and ignition system Motronic 4.4 USA, Canada

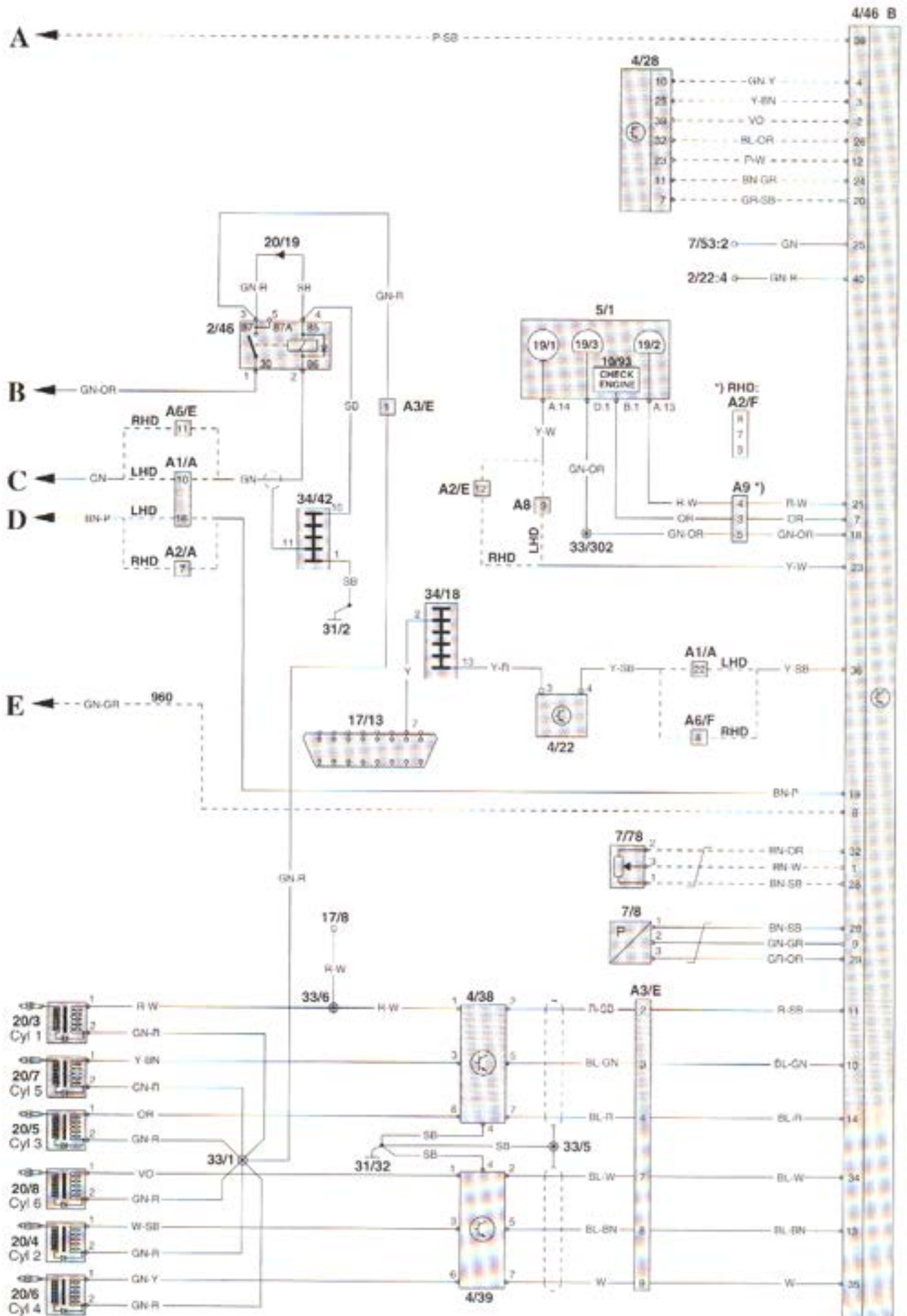


# Fuel and ignition system Motronic 4.4

## Other

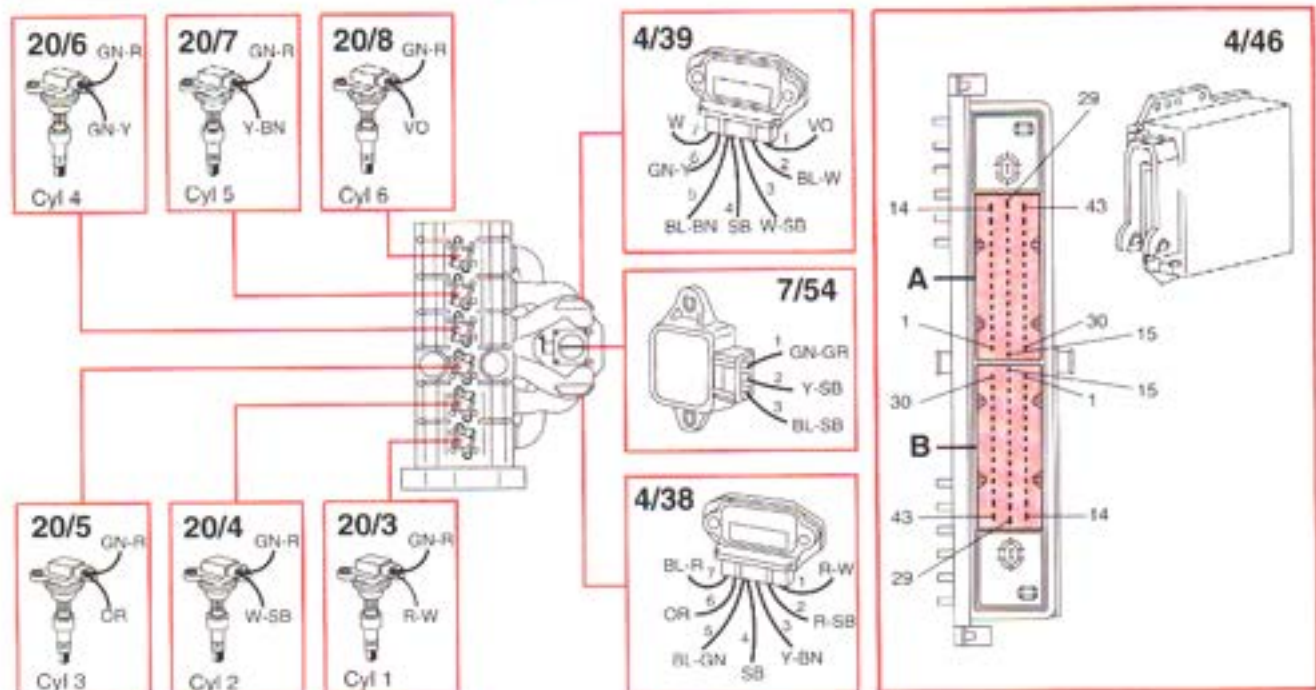
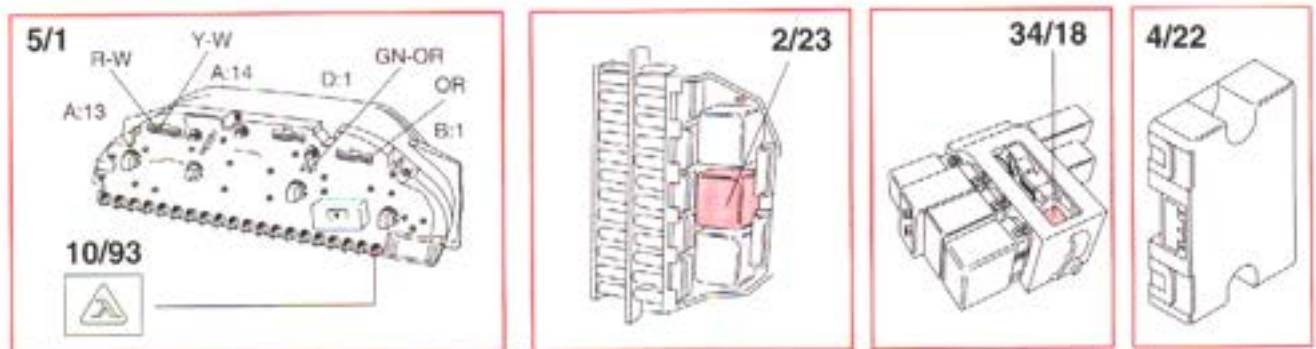
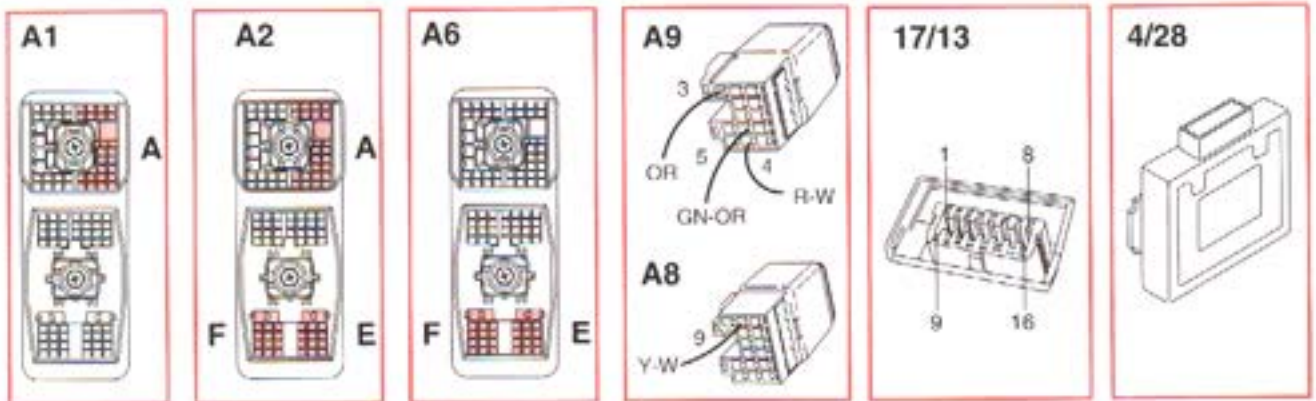
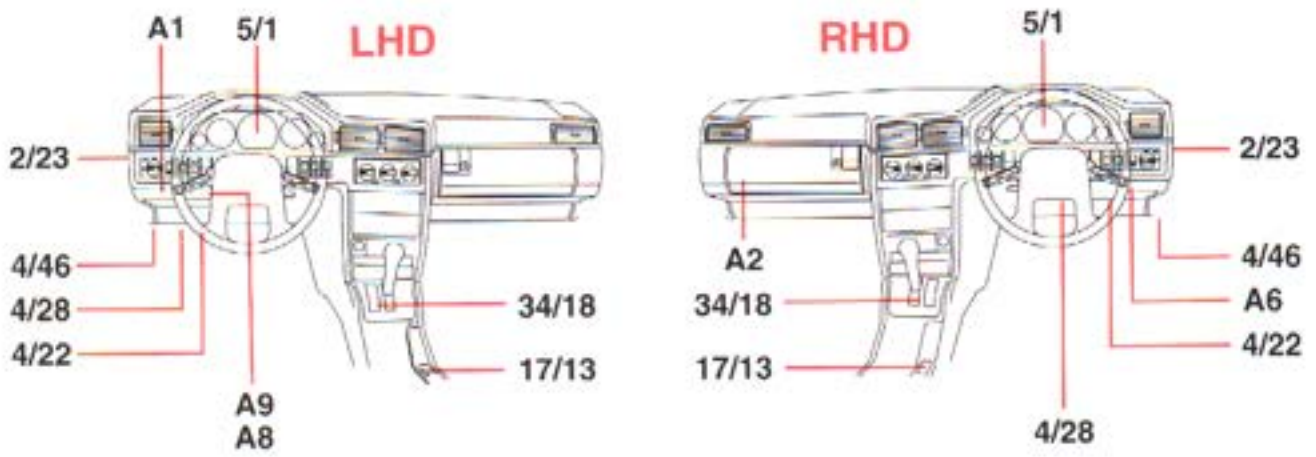


# Fuel and ignition system Motronic 4.4 Other

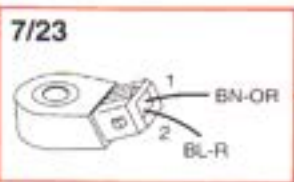
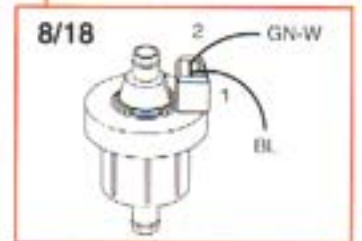
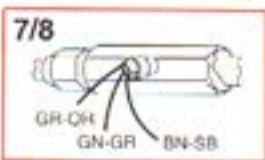
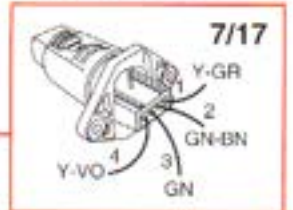
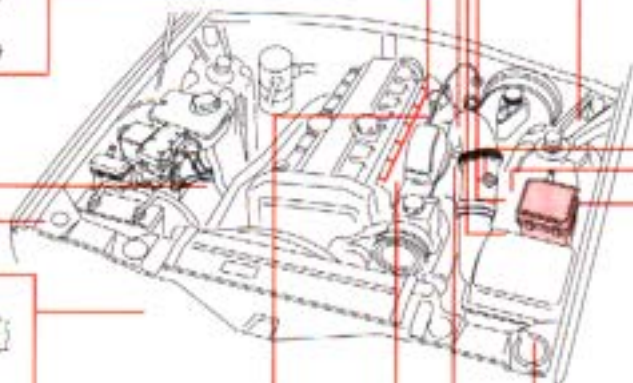
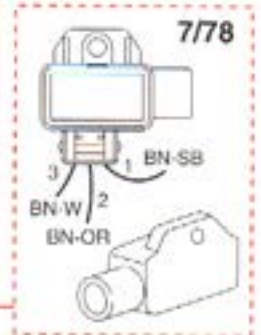
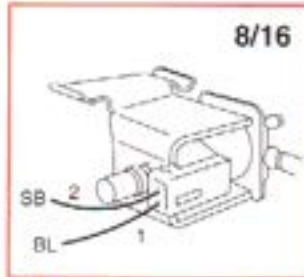
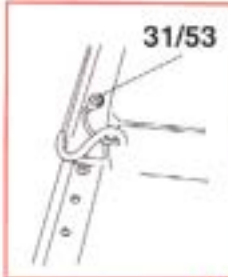
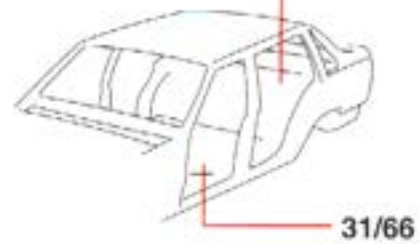
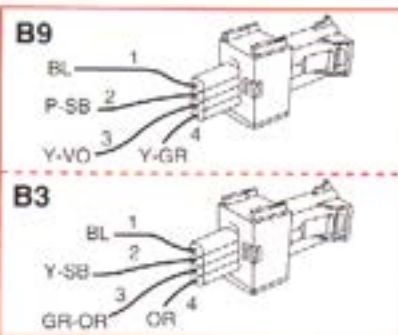
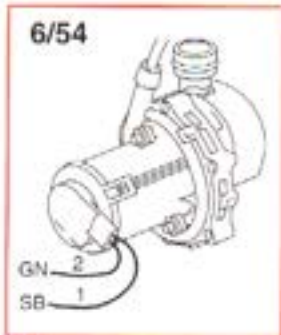
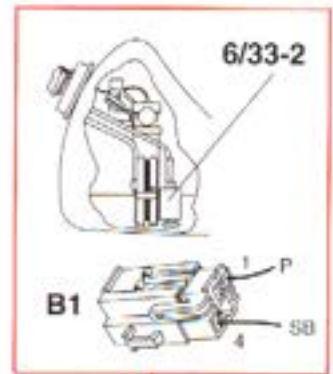
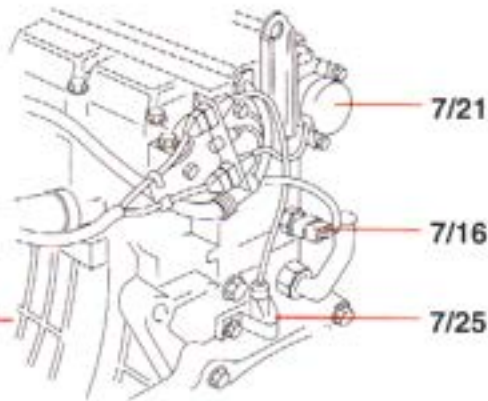
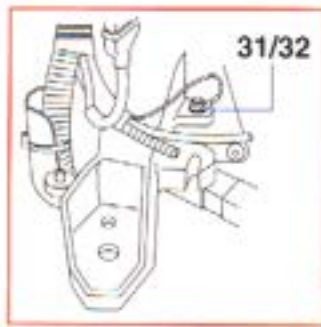


# Fuel and ignition system Motronic 4.4

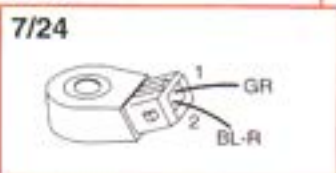
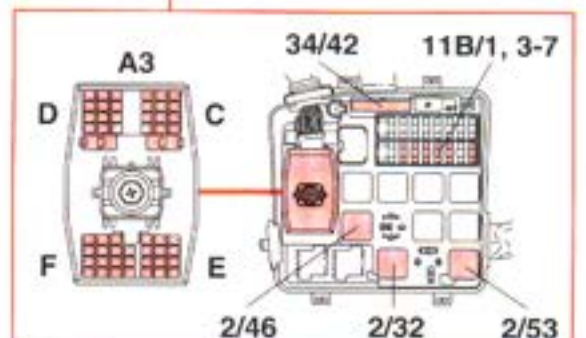
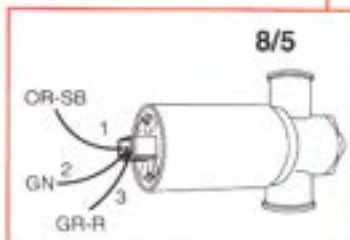
## Other



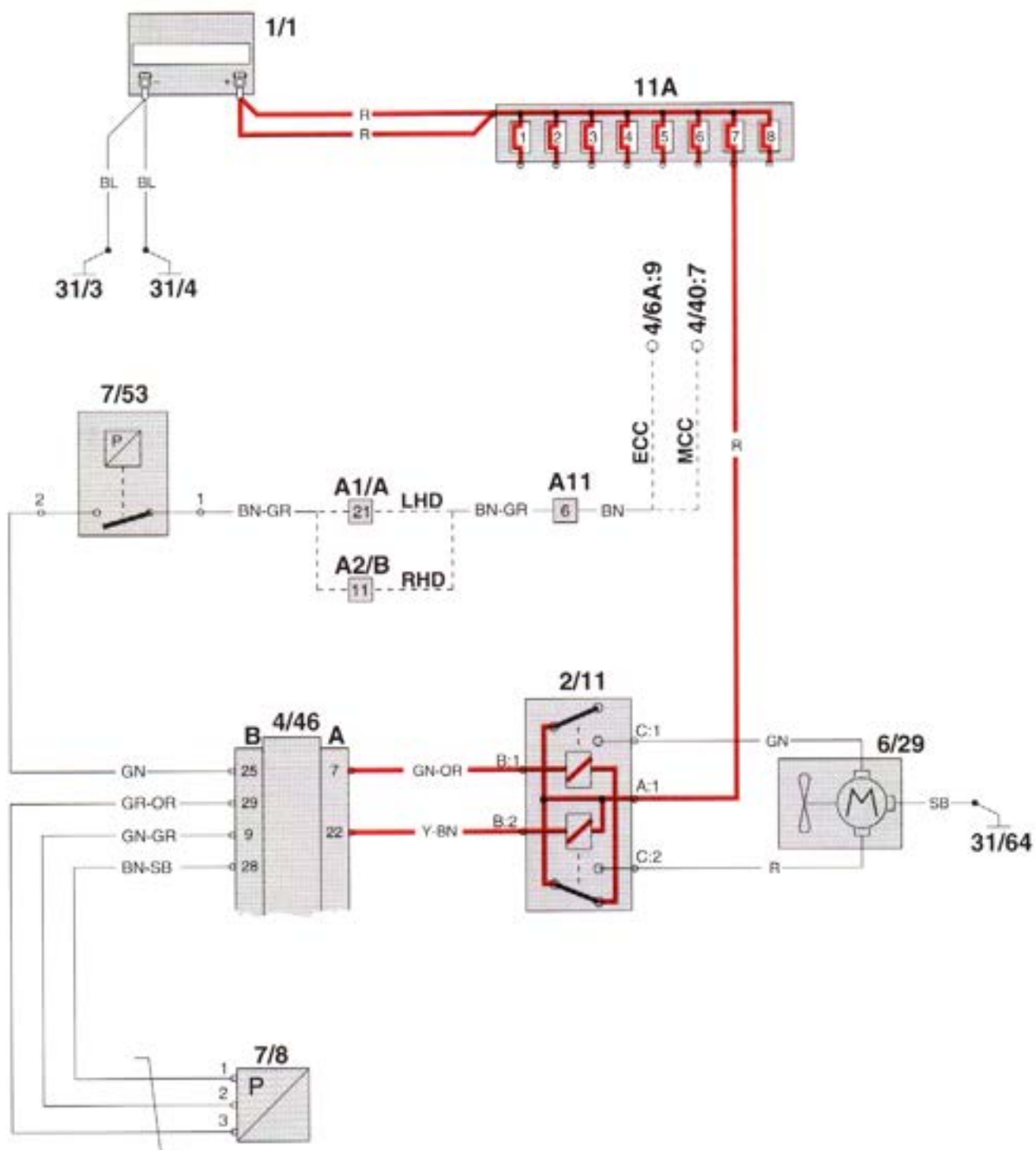
# Fuel and ignition system Motronic 4.4 Other



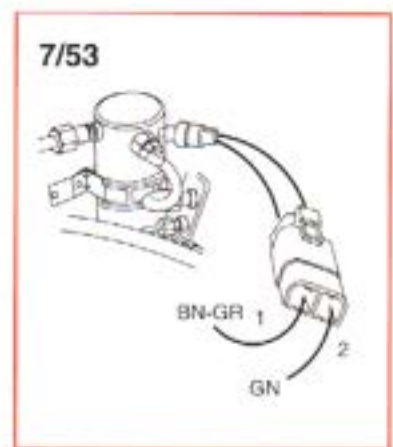
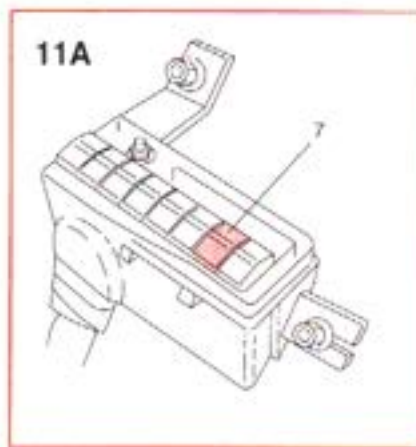
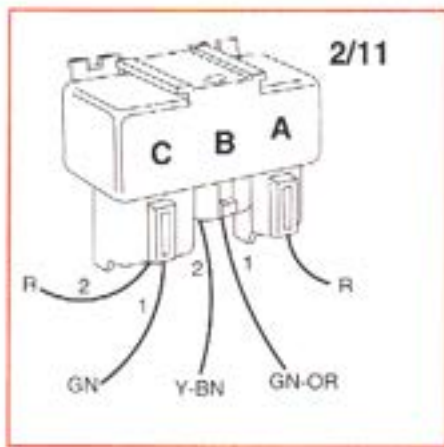
31/2



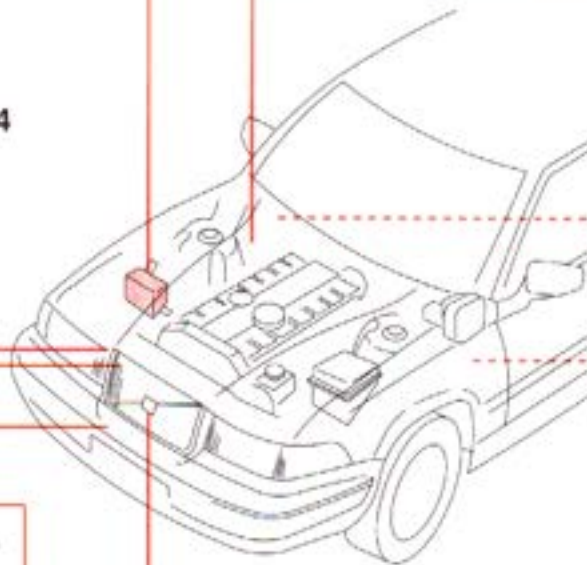
# Engine cooling fan (FC)



# Engine cooling fan (FC)



**31/64**



RHD

LHD

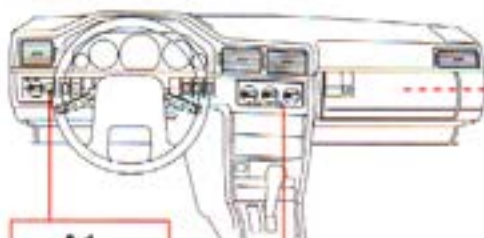
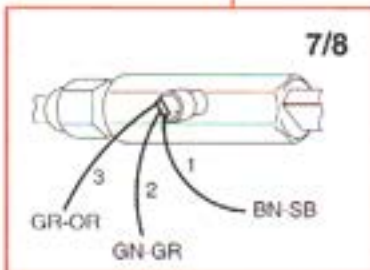
**4/46**



**6/29**



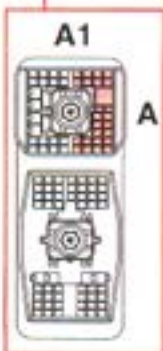
**7/8**



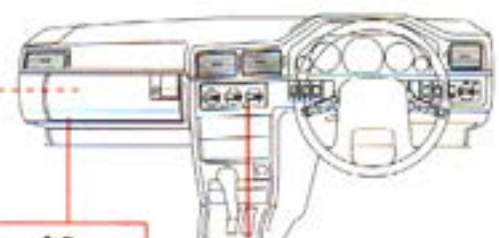
**A1**

**A**

4/6, 4/40



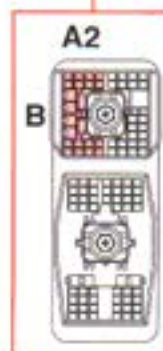
RHD



**A2**

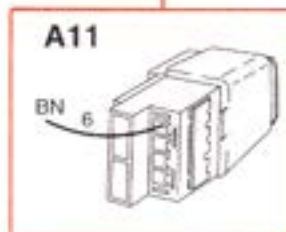
**B**

4/6, 4/40



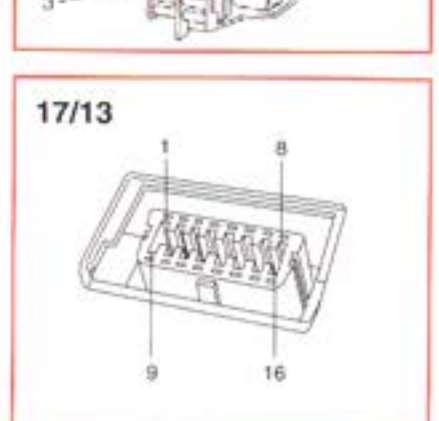
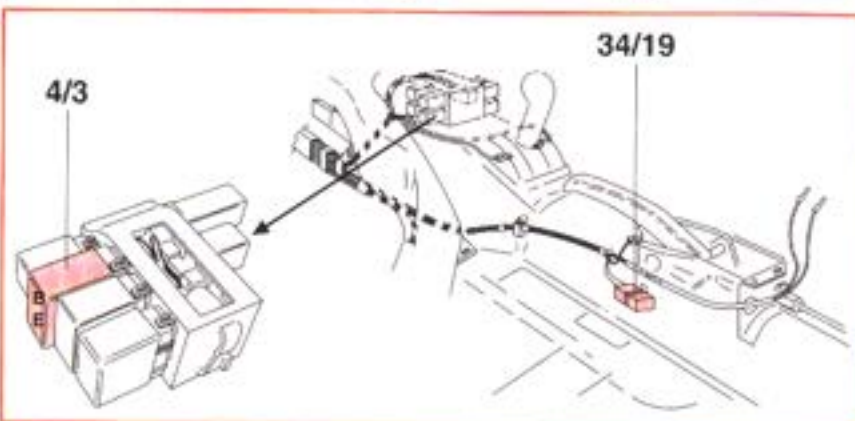
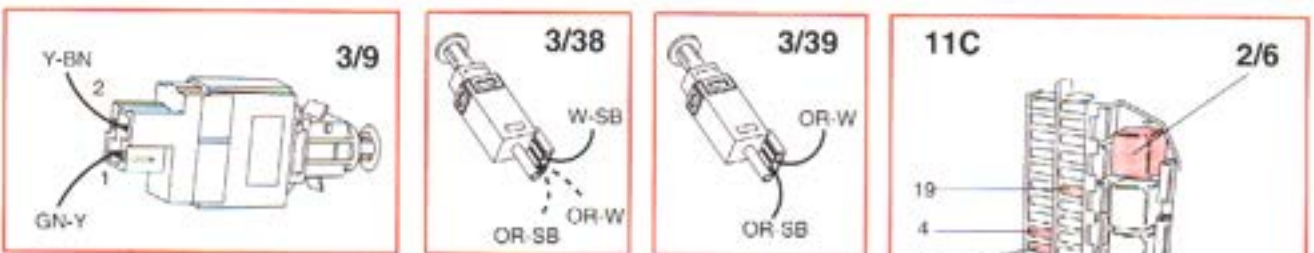
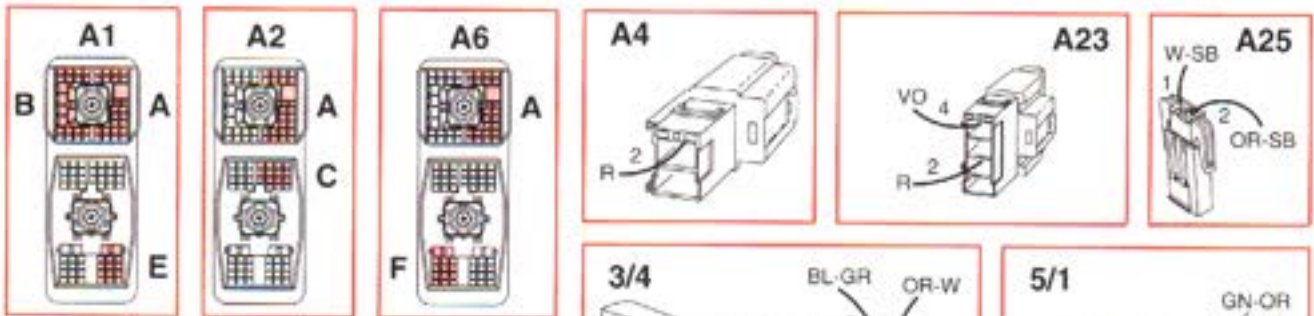
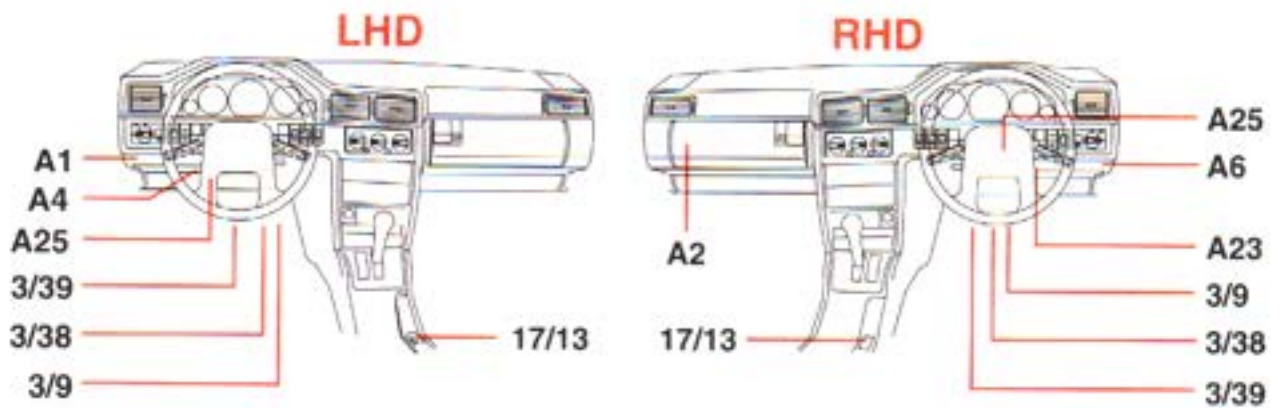
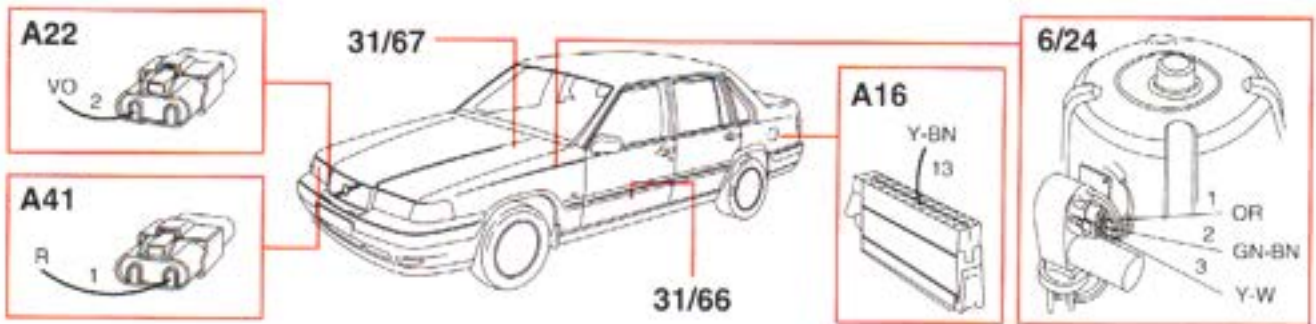
**A11**

BN 6



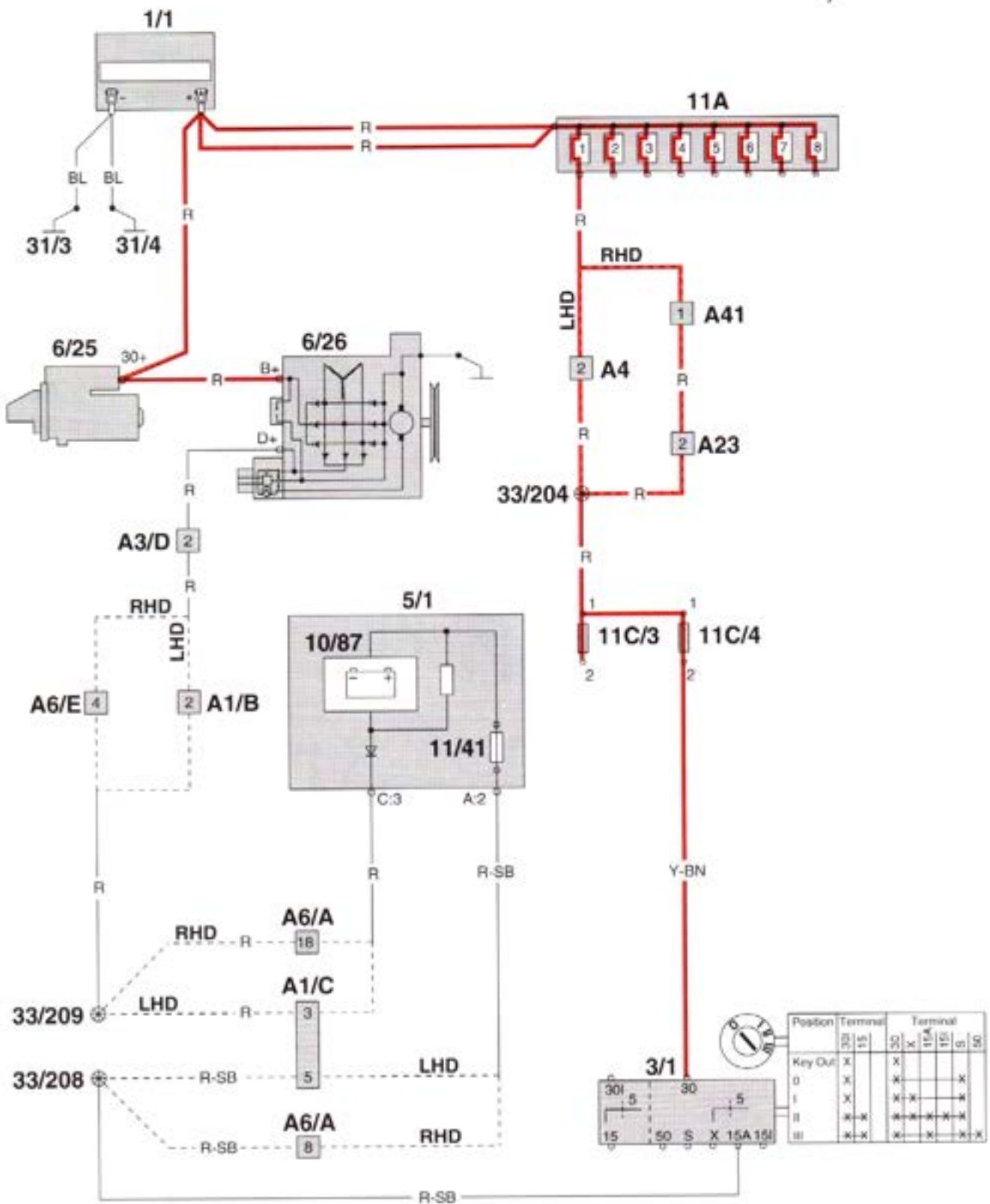


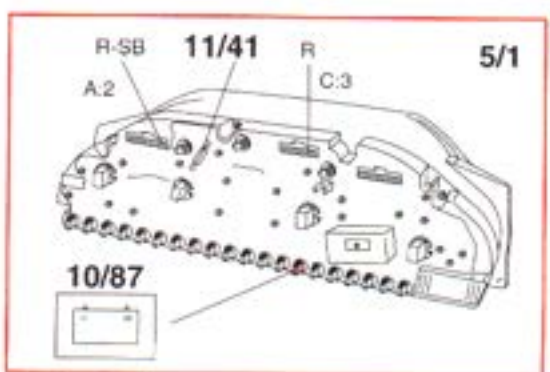
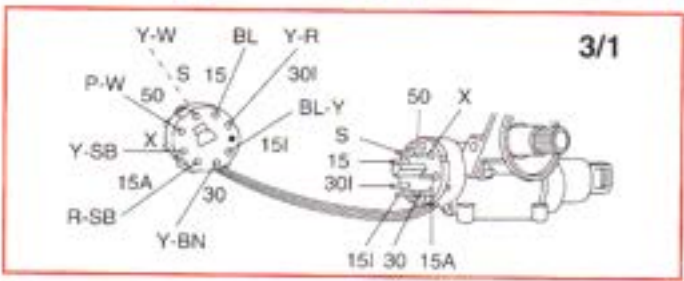
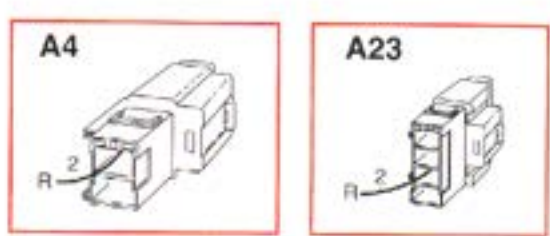
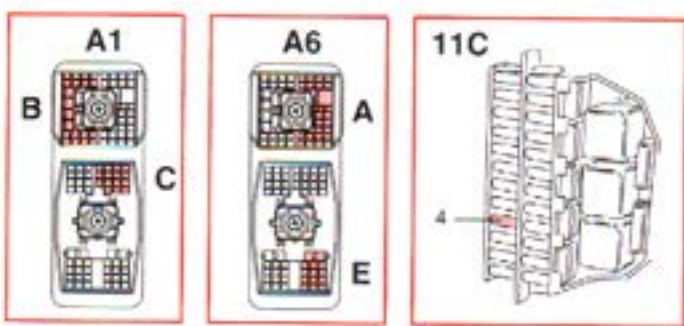
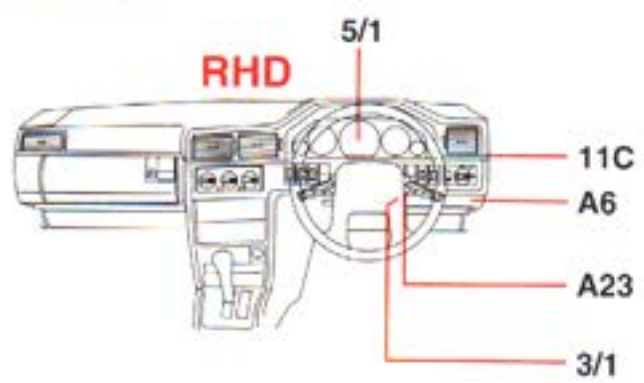
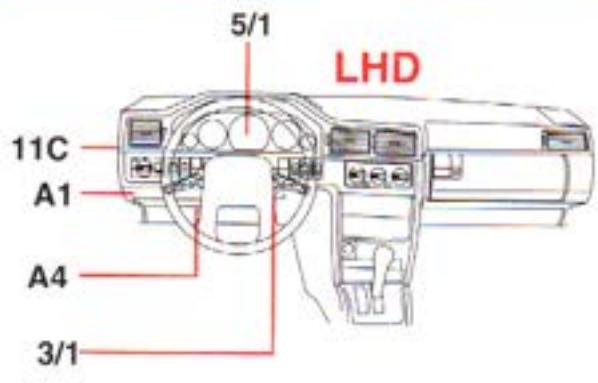
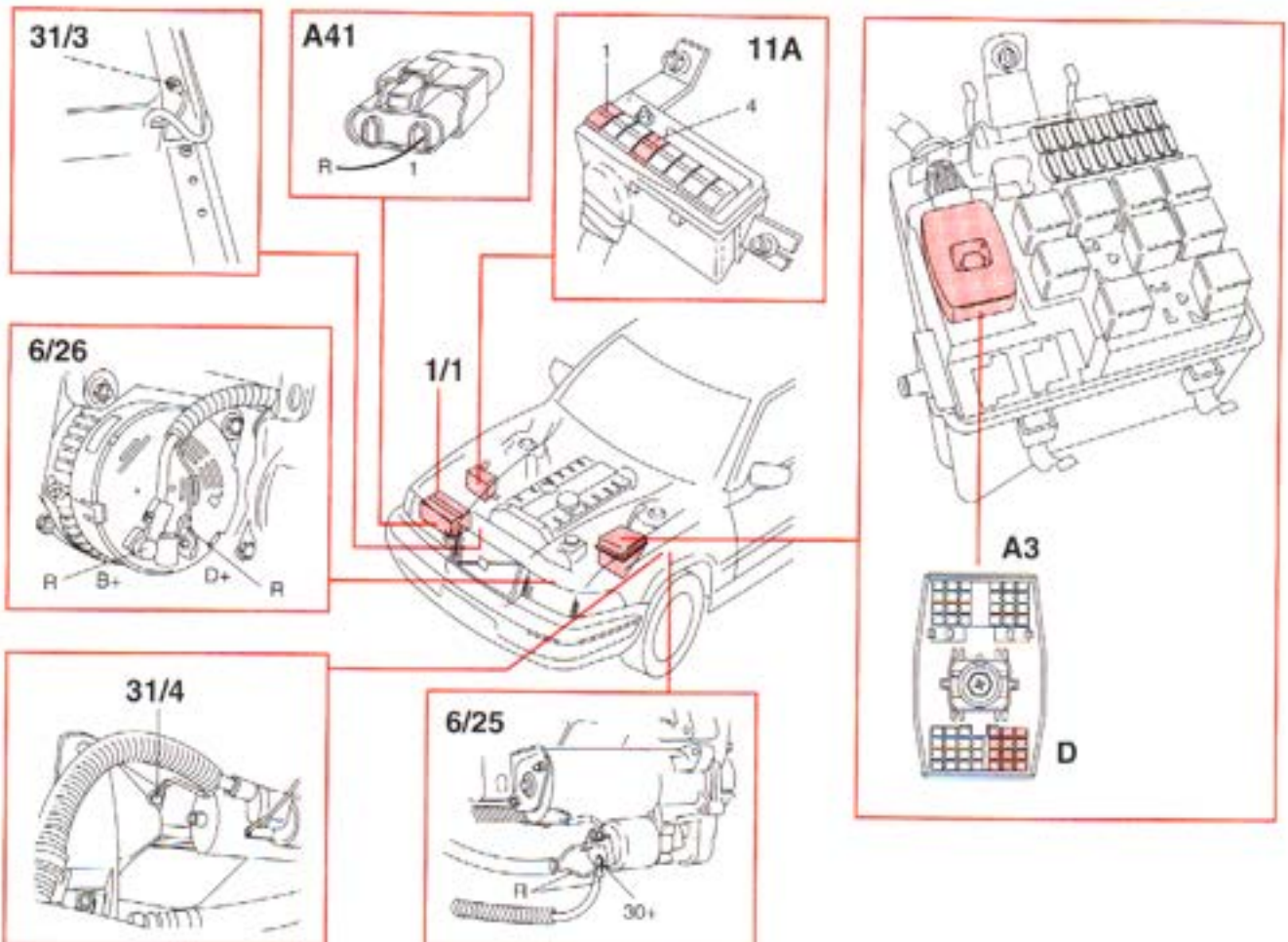
# Cruise control



# Power supply

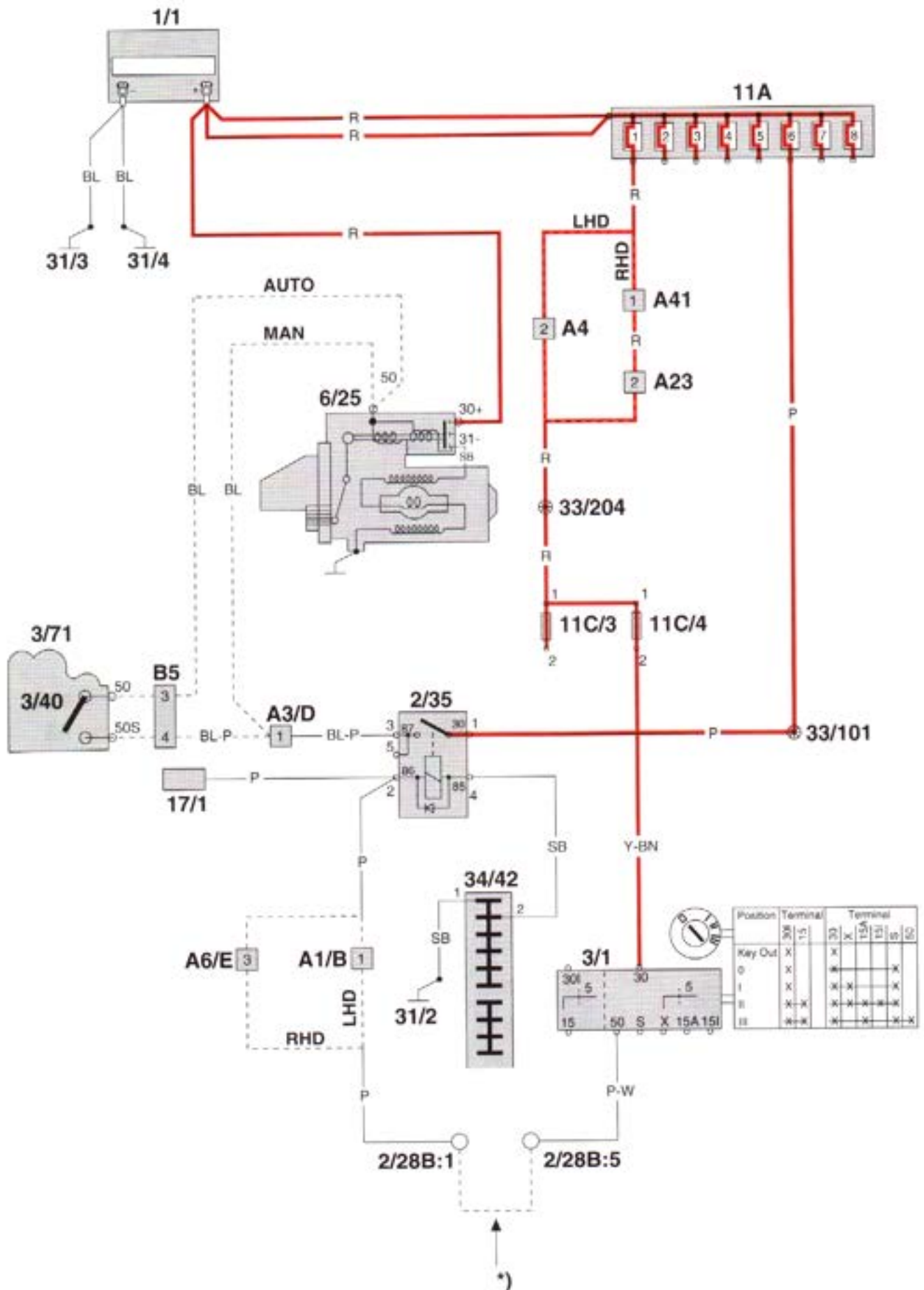
For function diagram, refer to page 228.

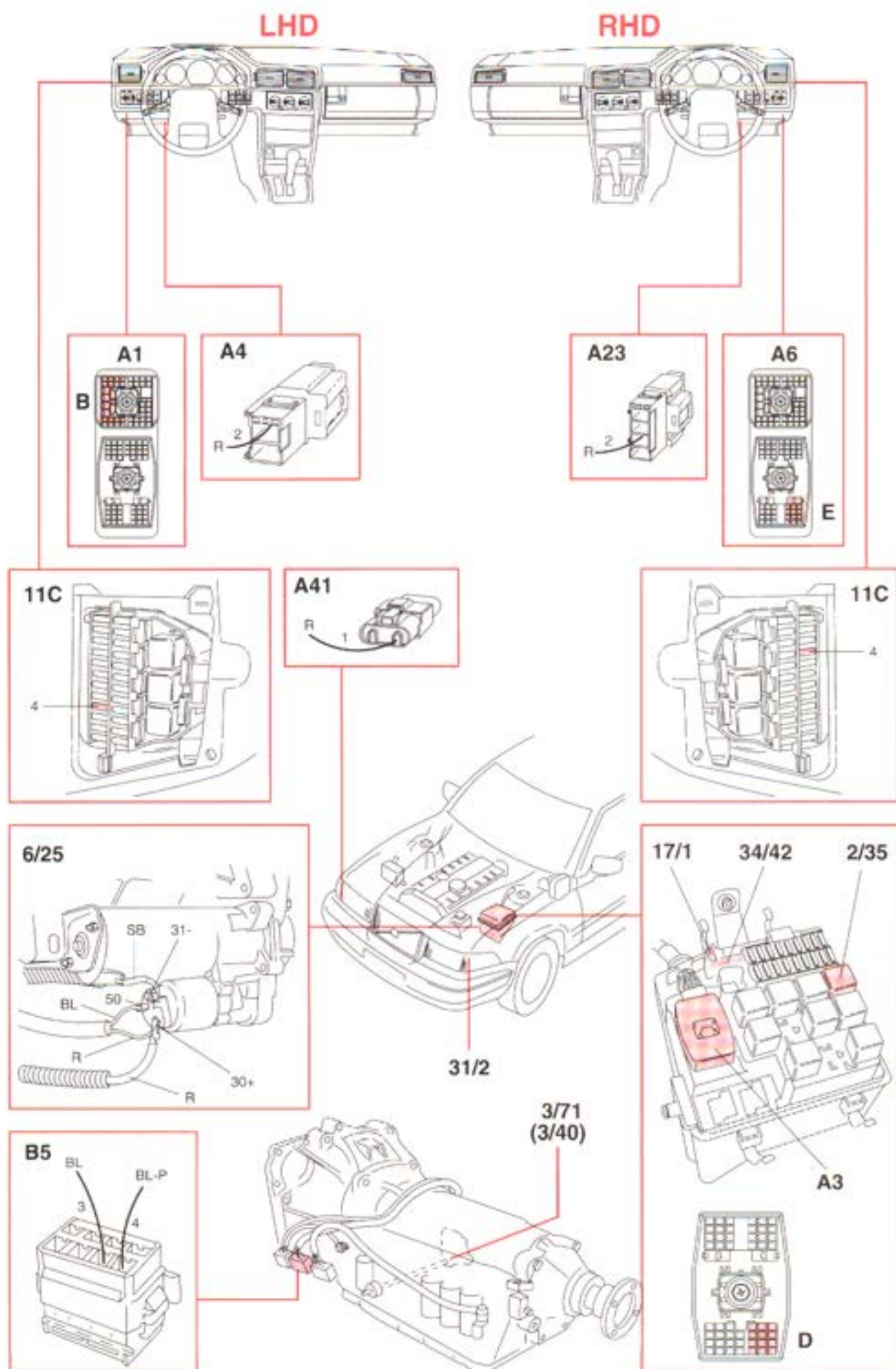




# Starter system 960

\*) Cars without car alarm  
(Cars with anti-theft alarm please also refer  
to page 144 LHD, 146 RHD)

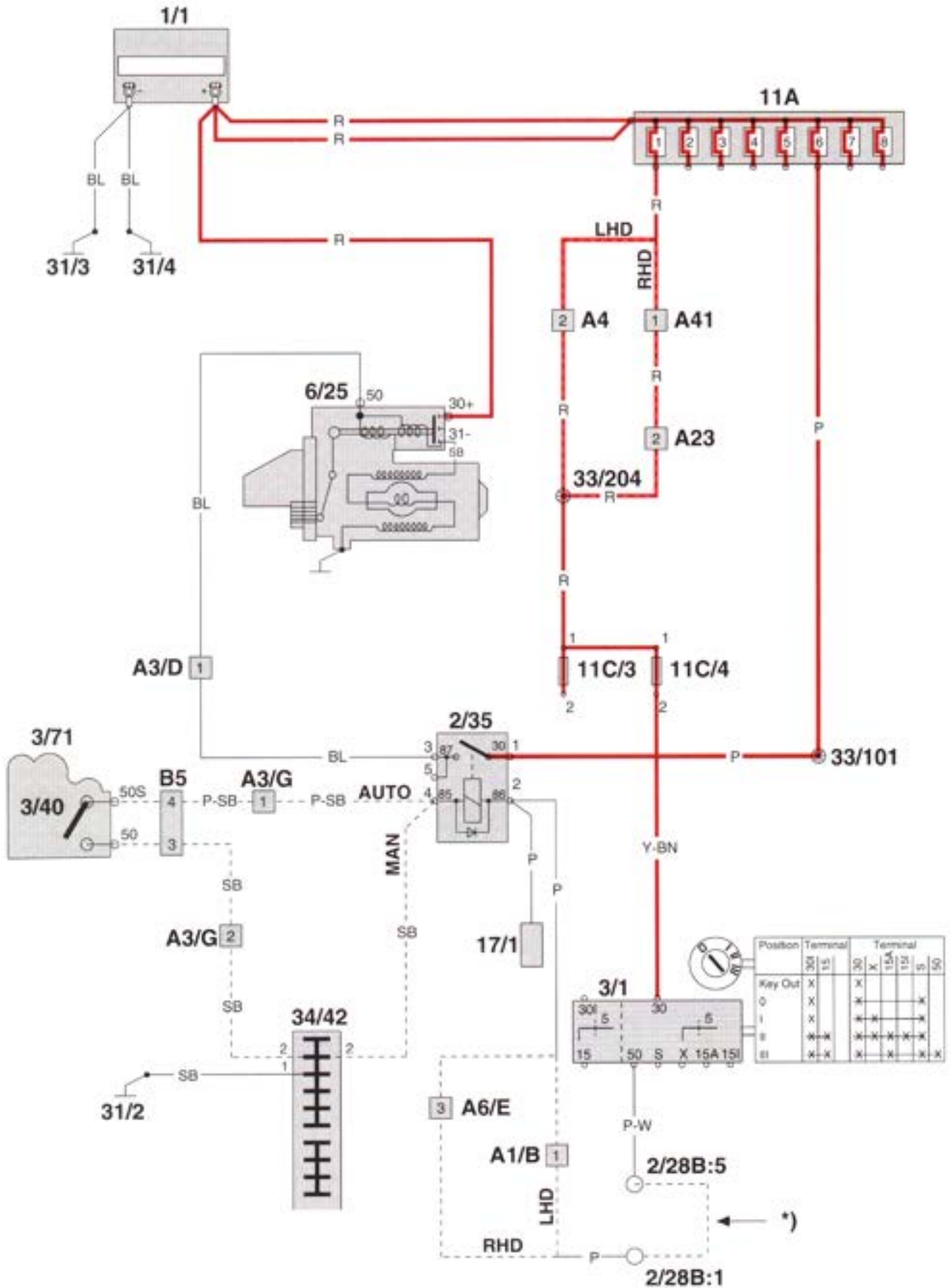




# Starter system S90/V90

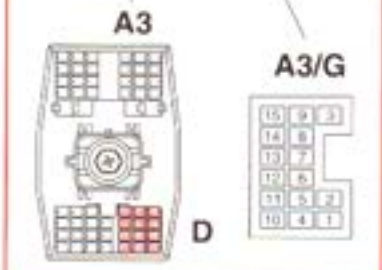
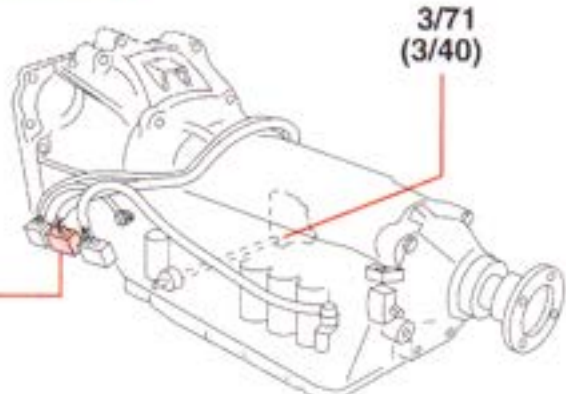
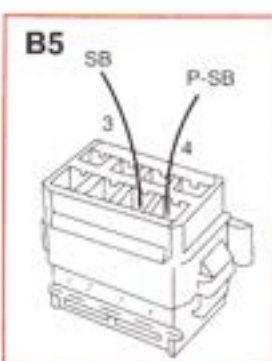
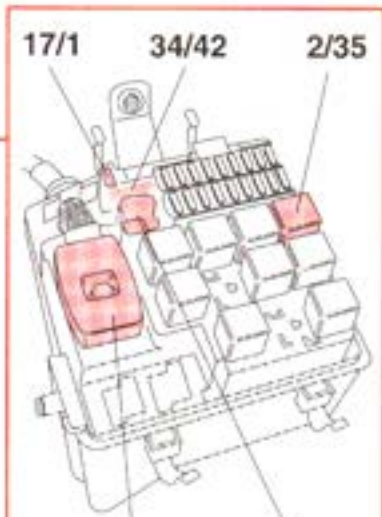
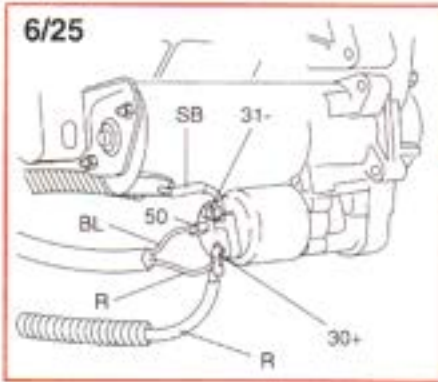
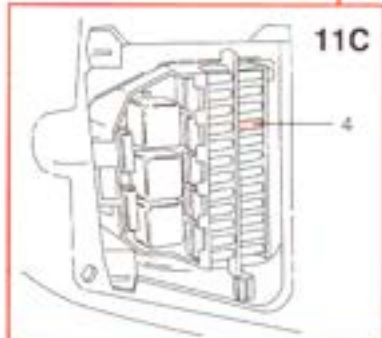
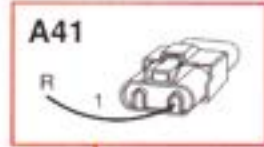
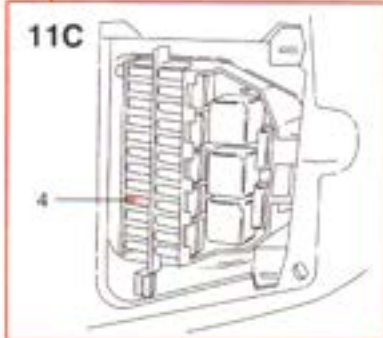
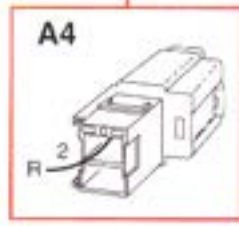
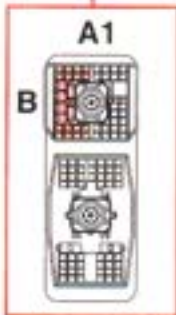
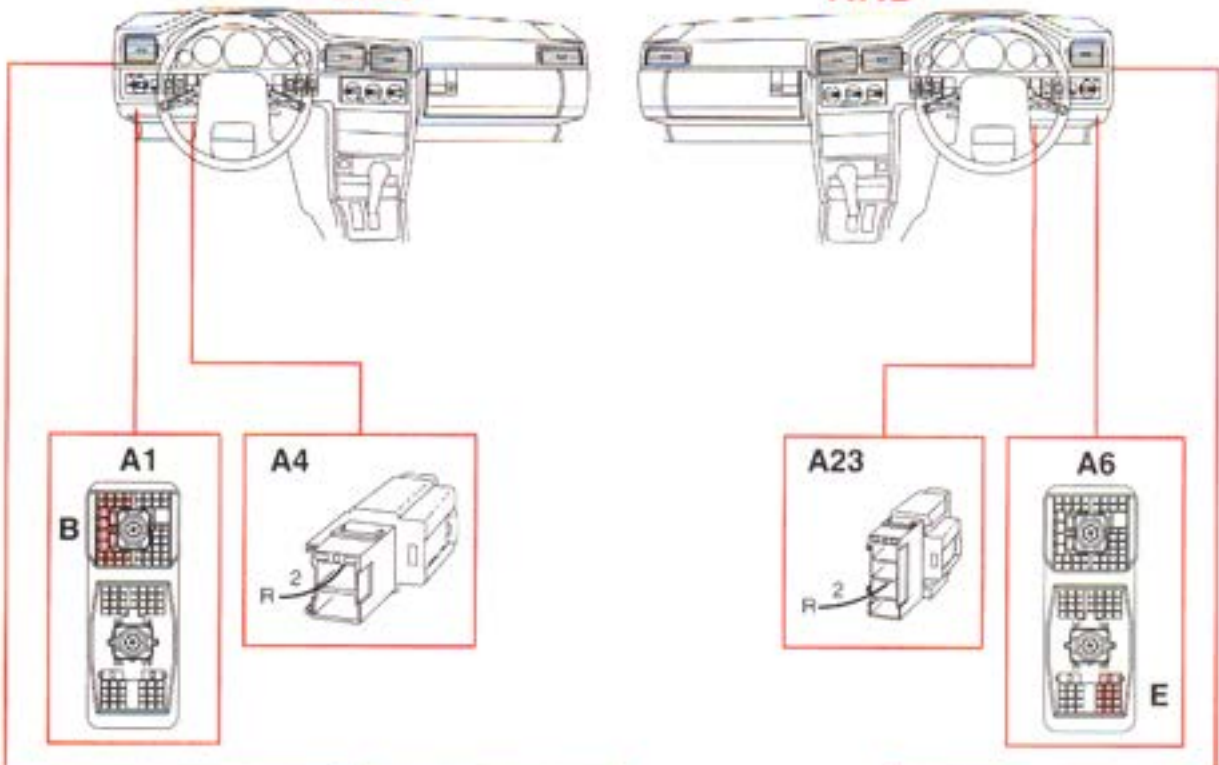
For function diagram, refer to page 229.

\*) Cars without car alarm  
(Cars with anti-theft alarm please also refer to page 144 LHD, 146 RHD)



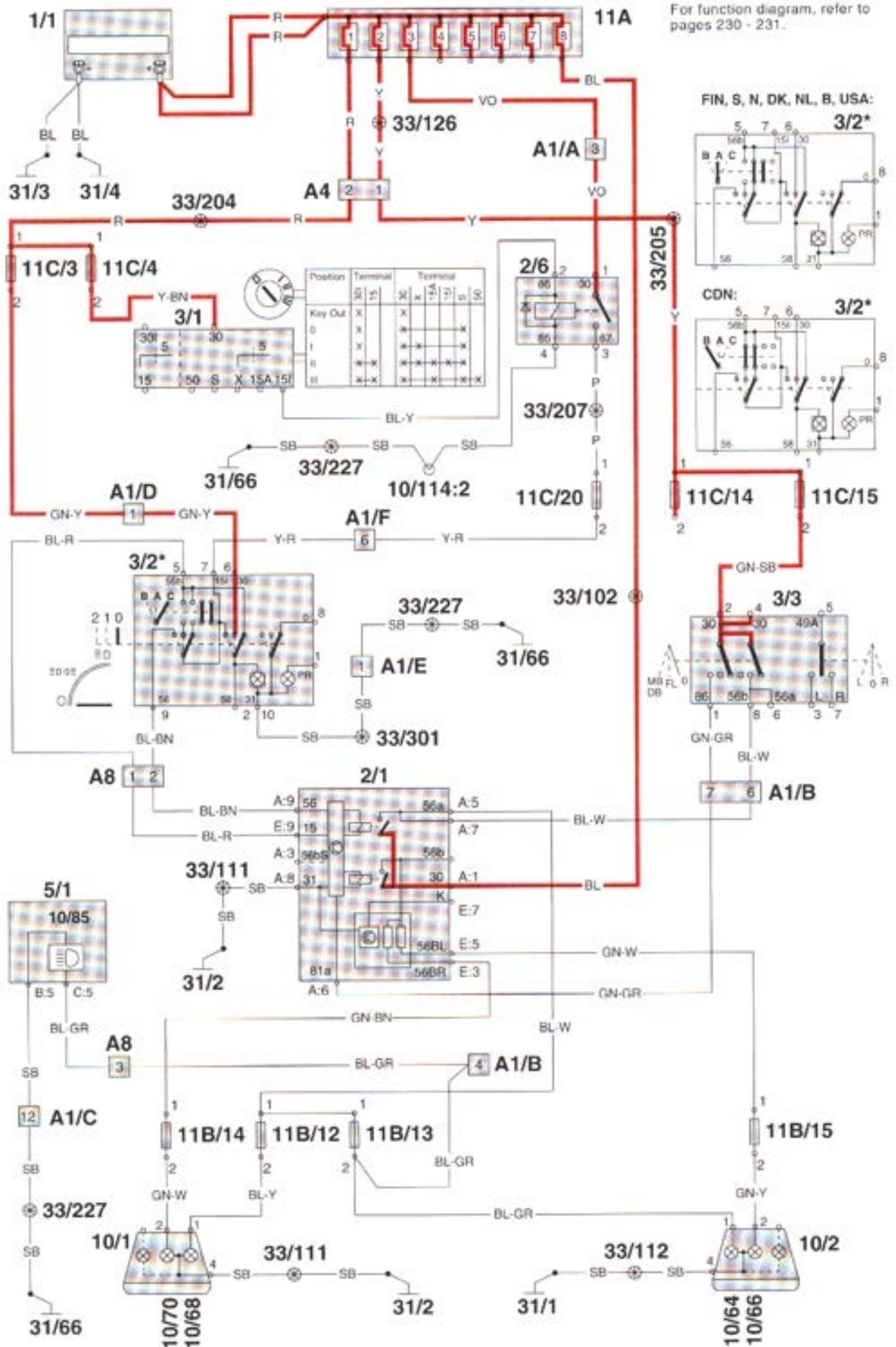
LHD

RHD

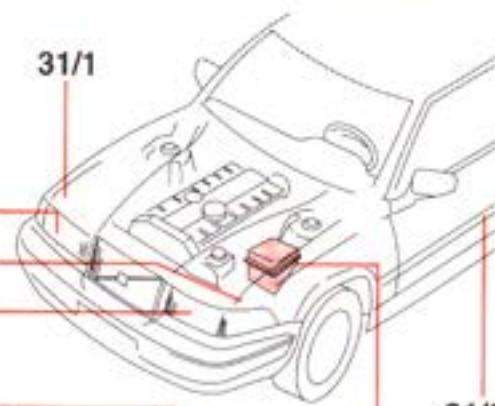
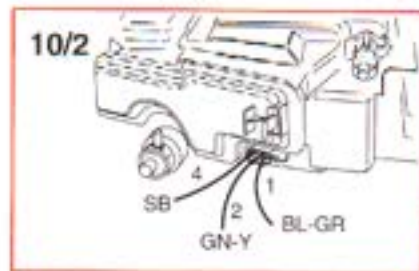


# High and low beams Left-hand drive cars

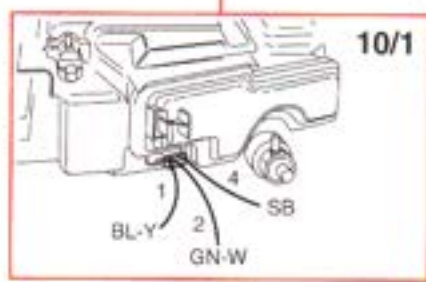
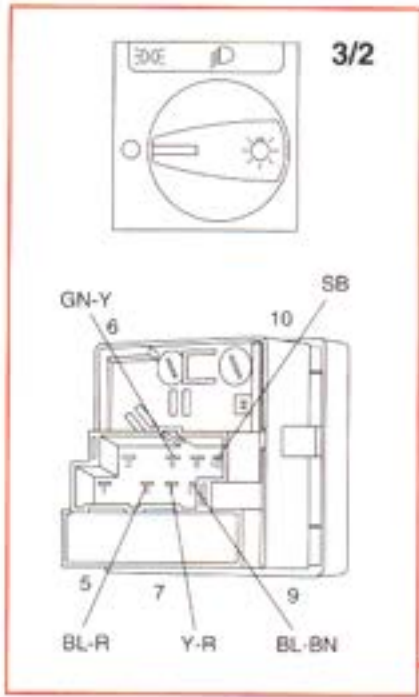
For function diagram, refer to pages 230 - 231.



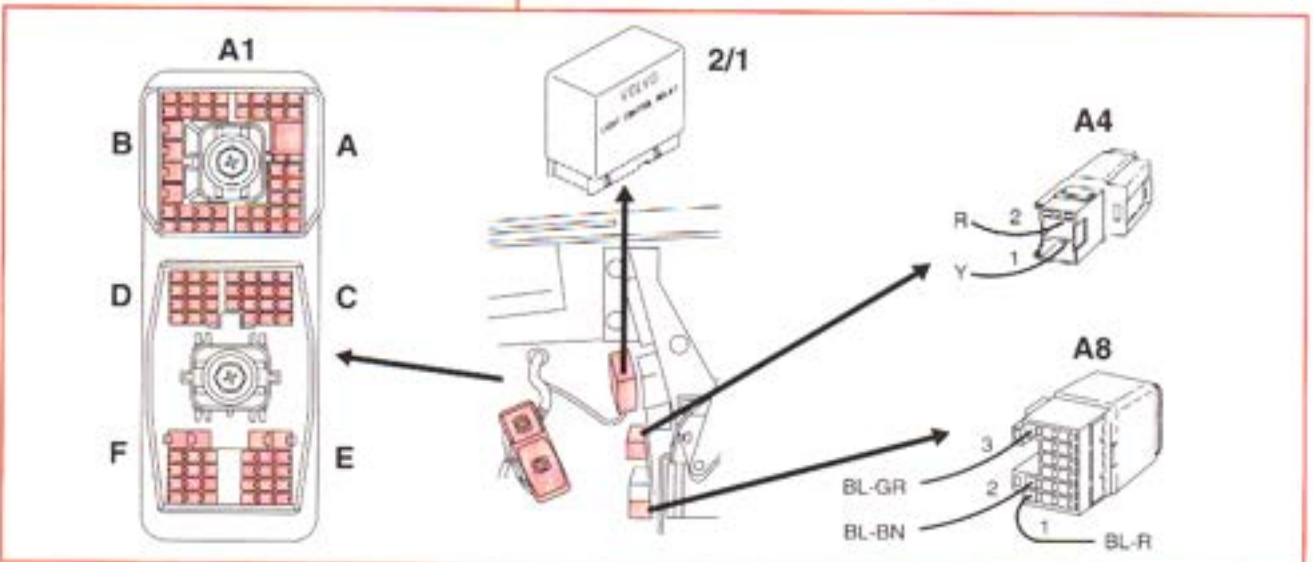
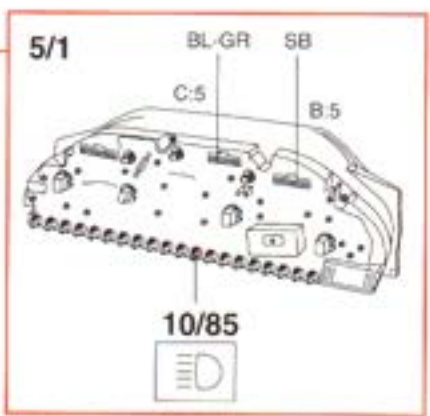
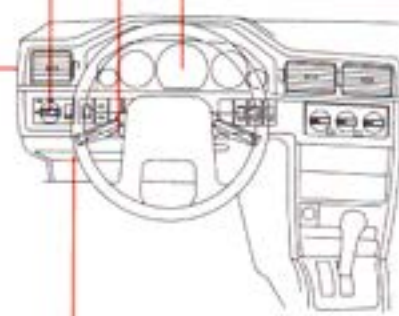
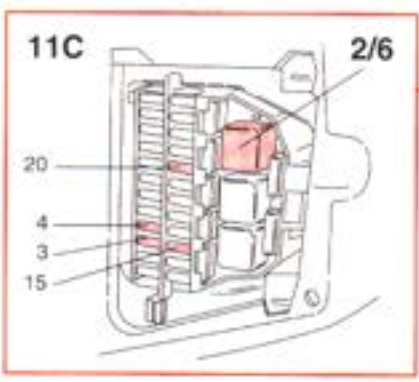
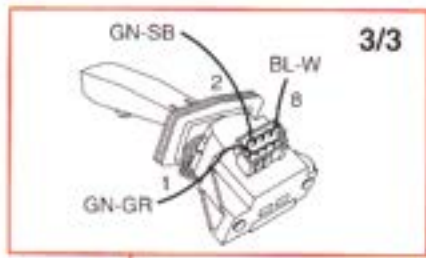
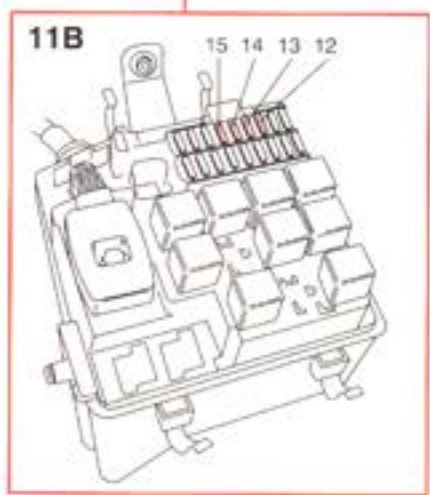
# High and low beams Left-hand drive cars



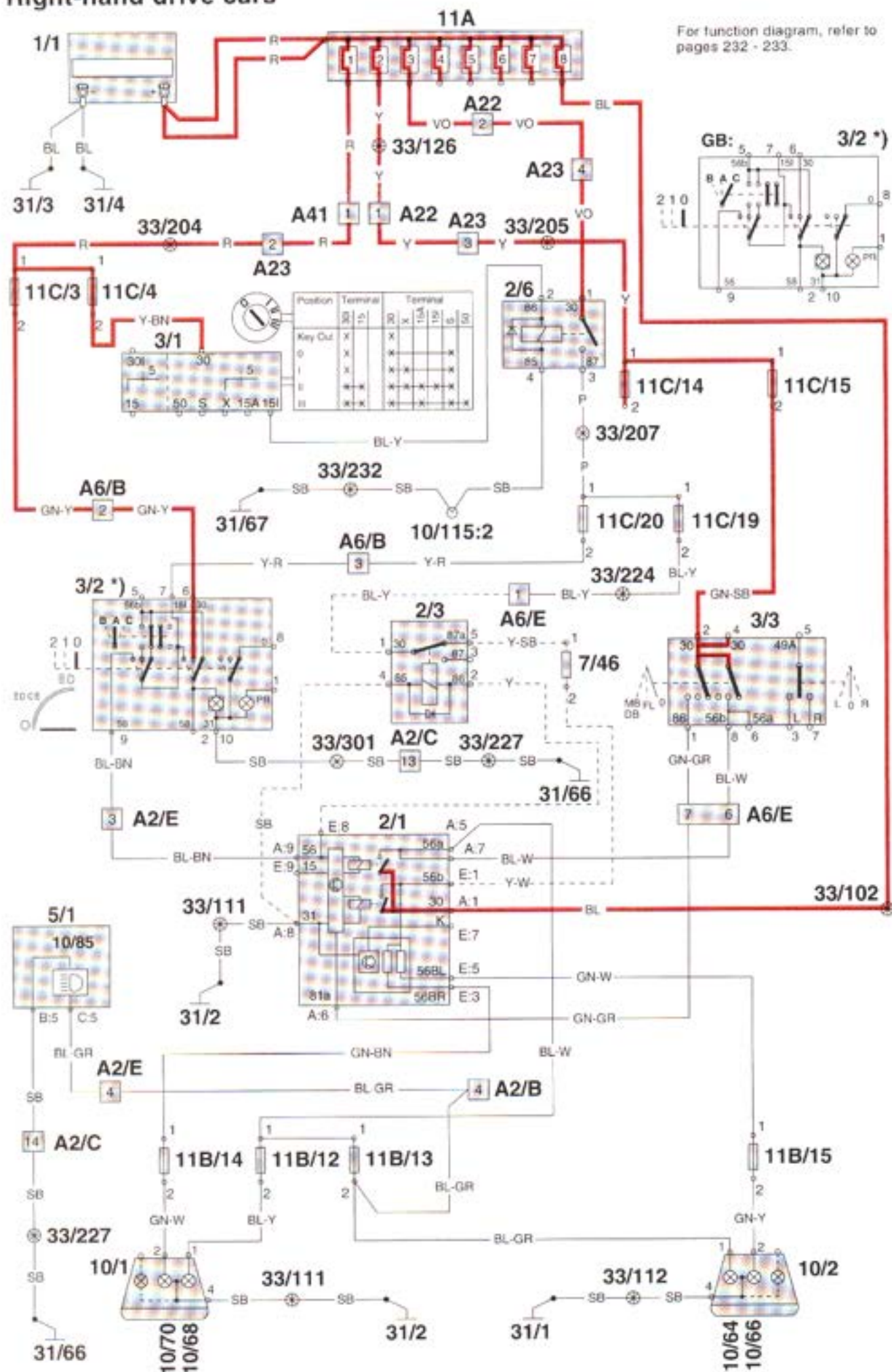
**31/2**



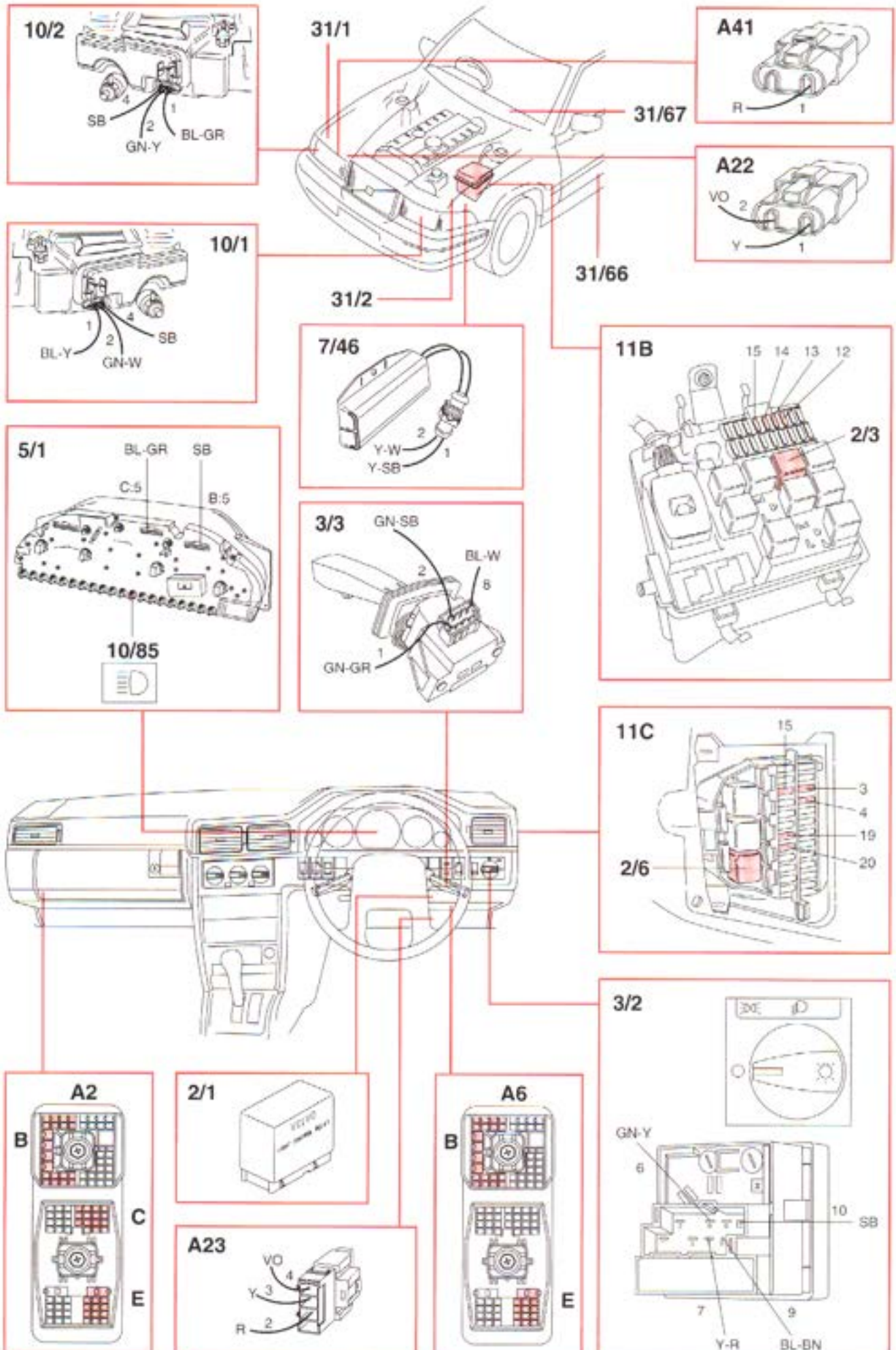
**31/66**



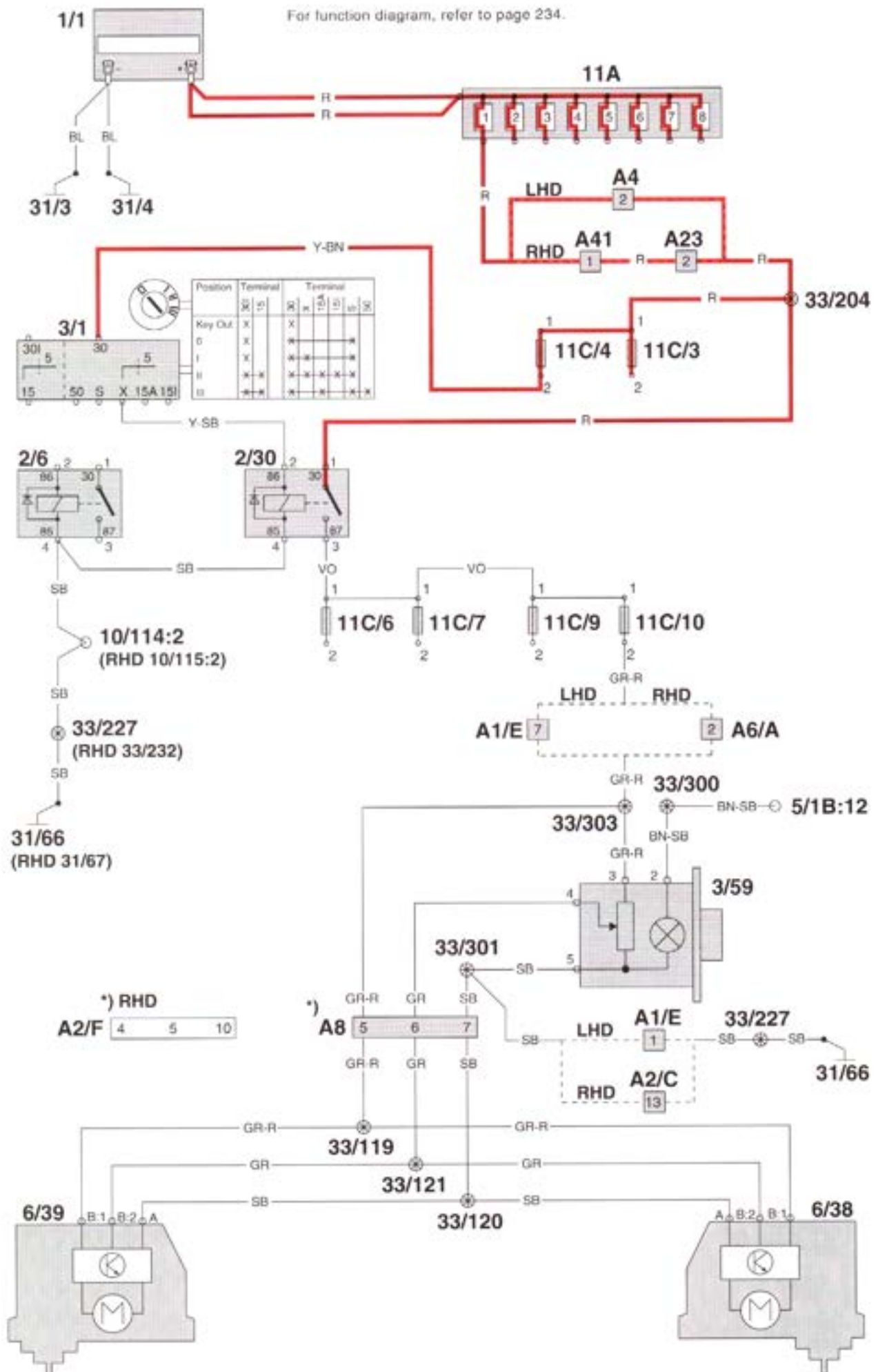
# High and low beams Right-hand drive cars



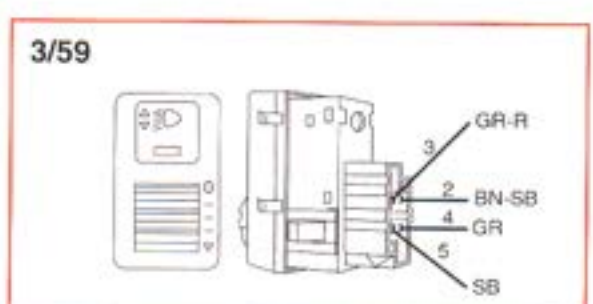
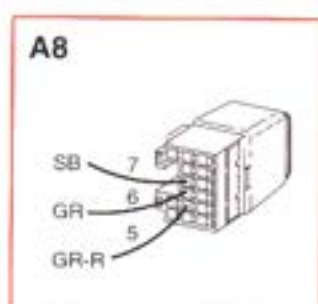
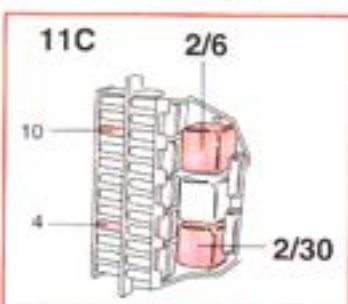
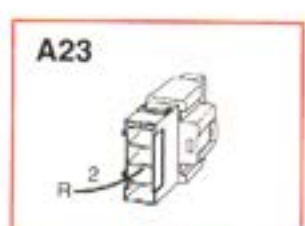
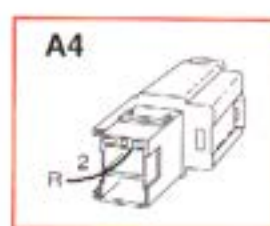
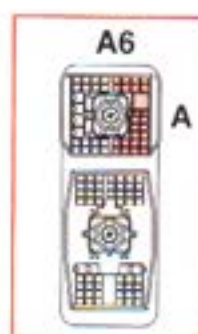
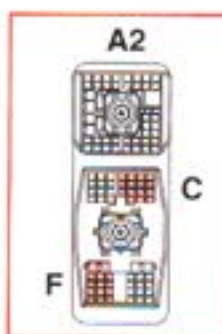
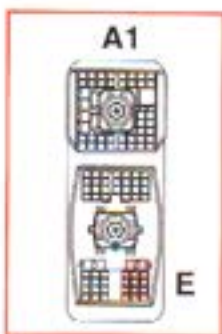
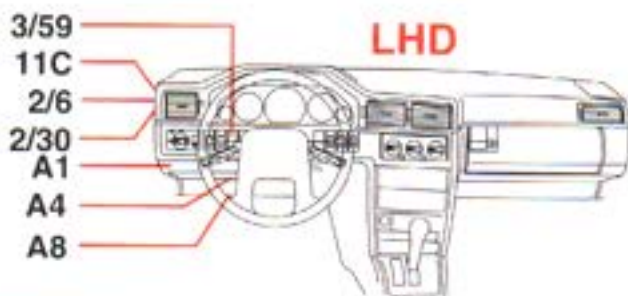
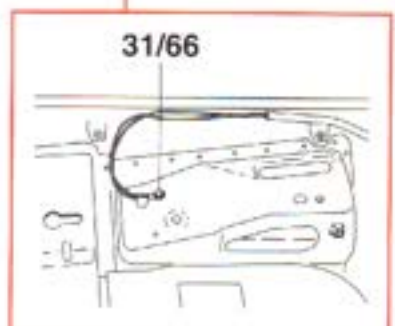
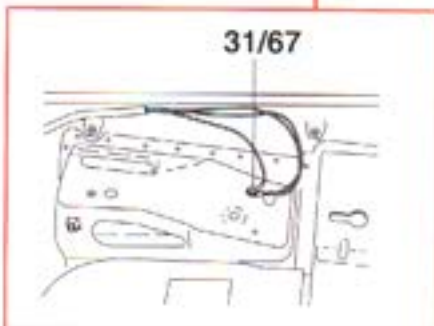
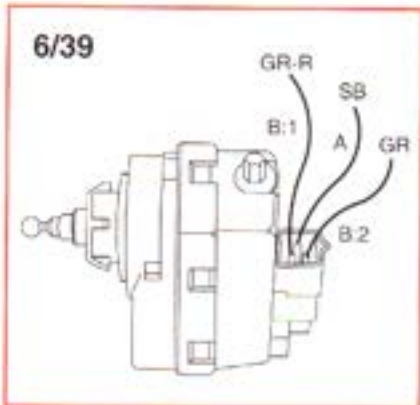
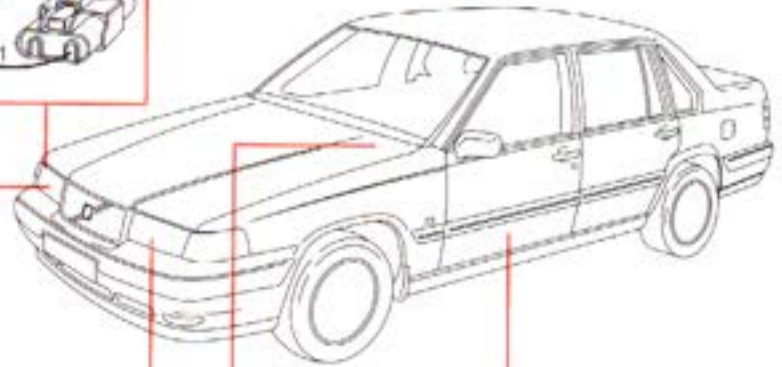
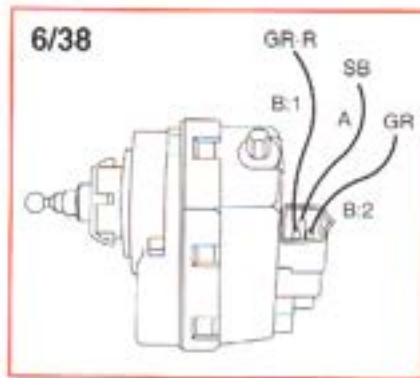
# High and low beams Right-hand drive cars



# Headlamp range adjustment

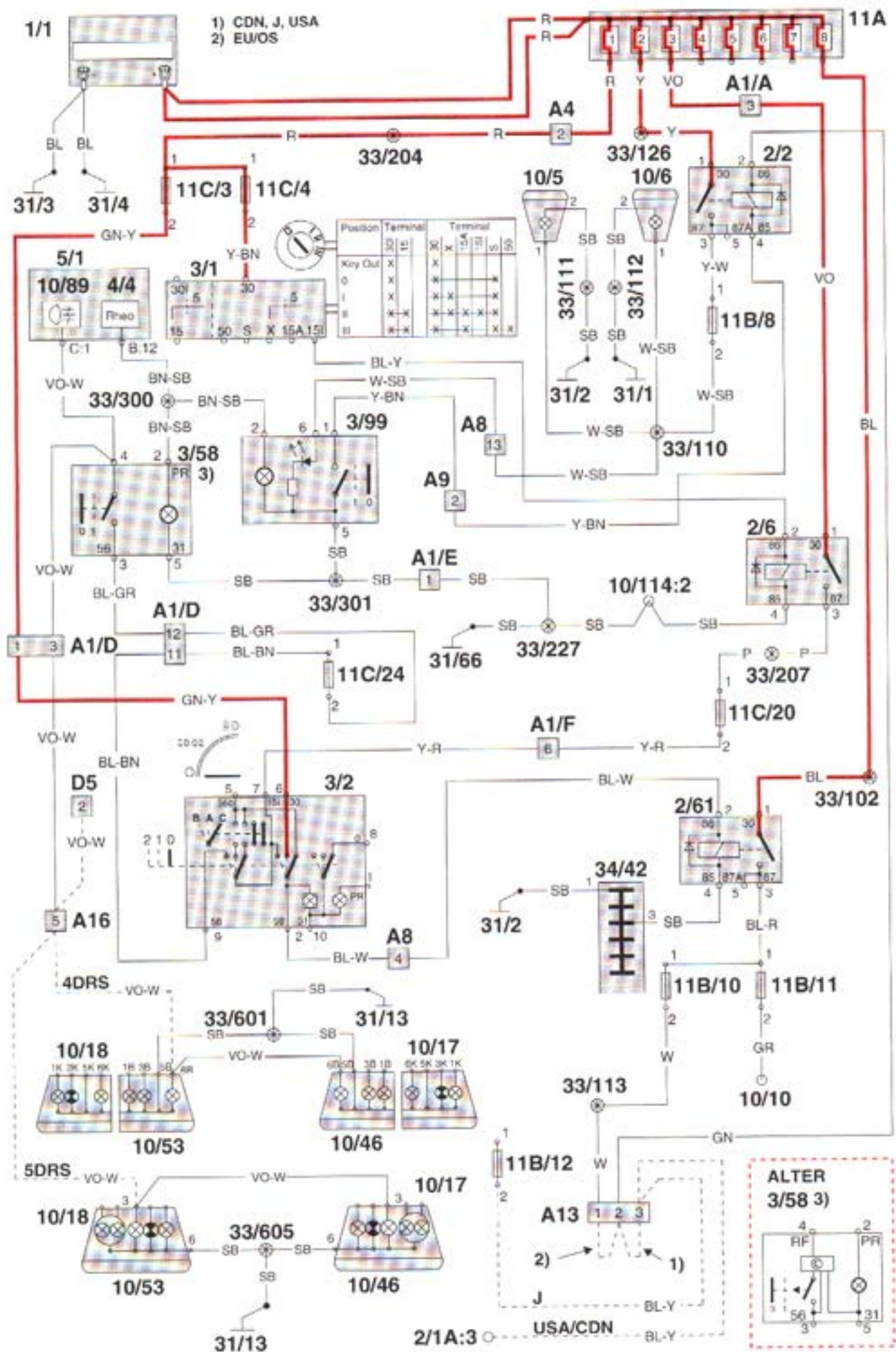


# Headlamp range adjustment

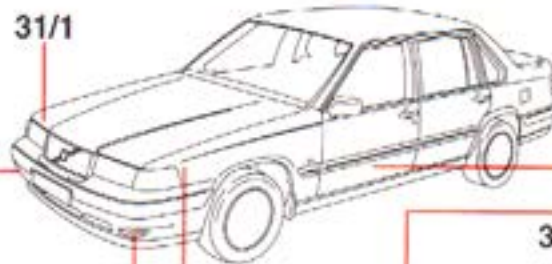
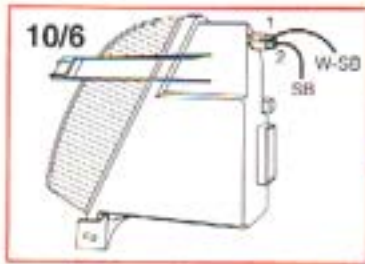


# Fog lamps

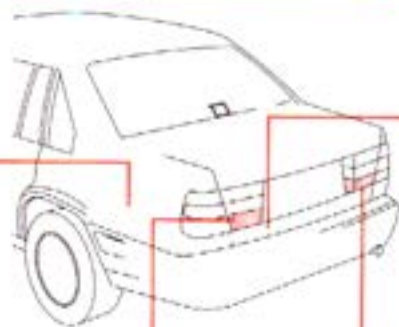
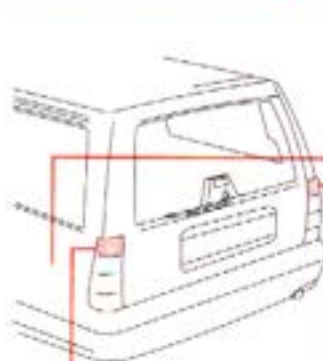
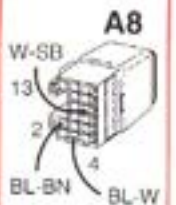
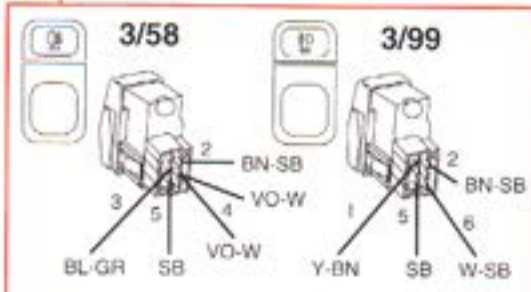
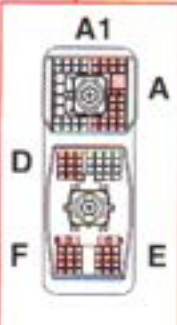
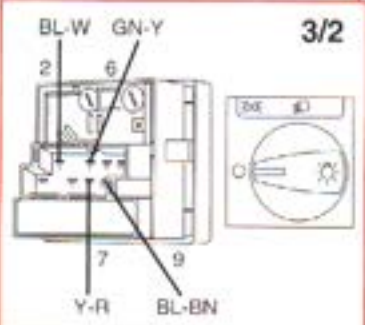
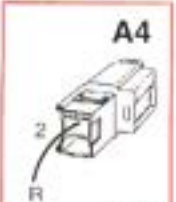
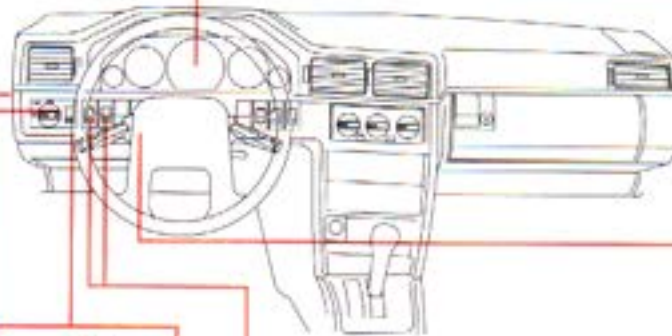
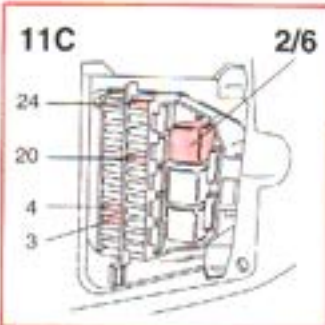
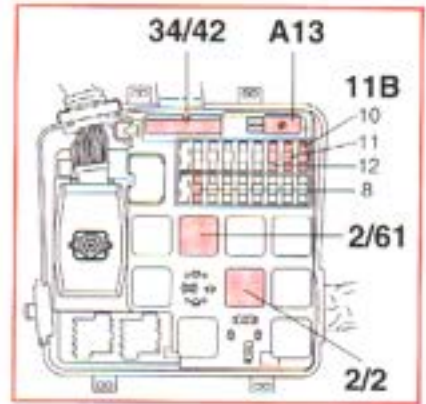
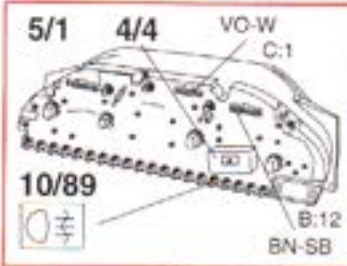
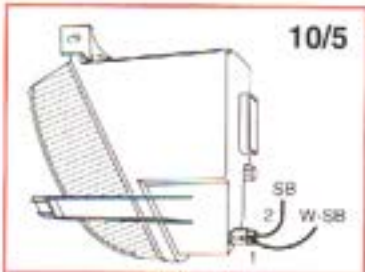
## Left-hand drive cars



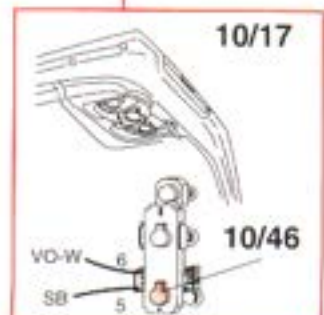
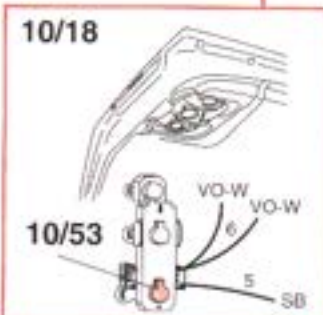
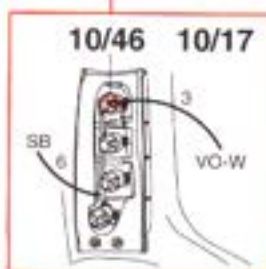
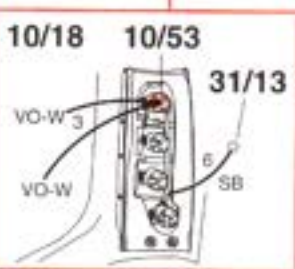
# Fog lamps Left-hand drive cars



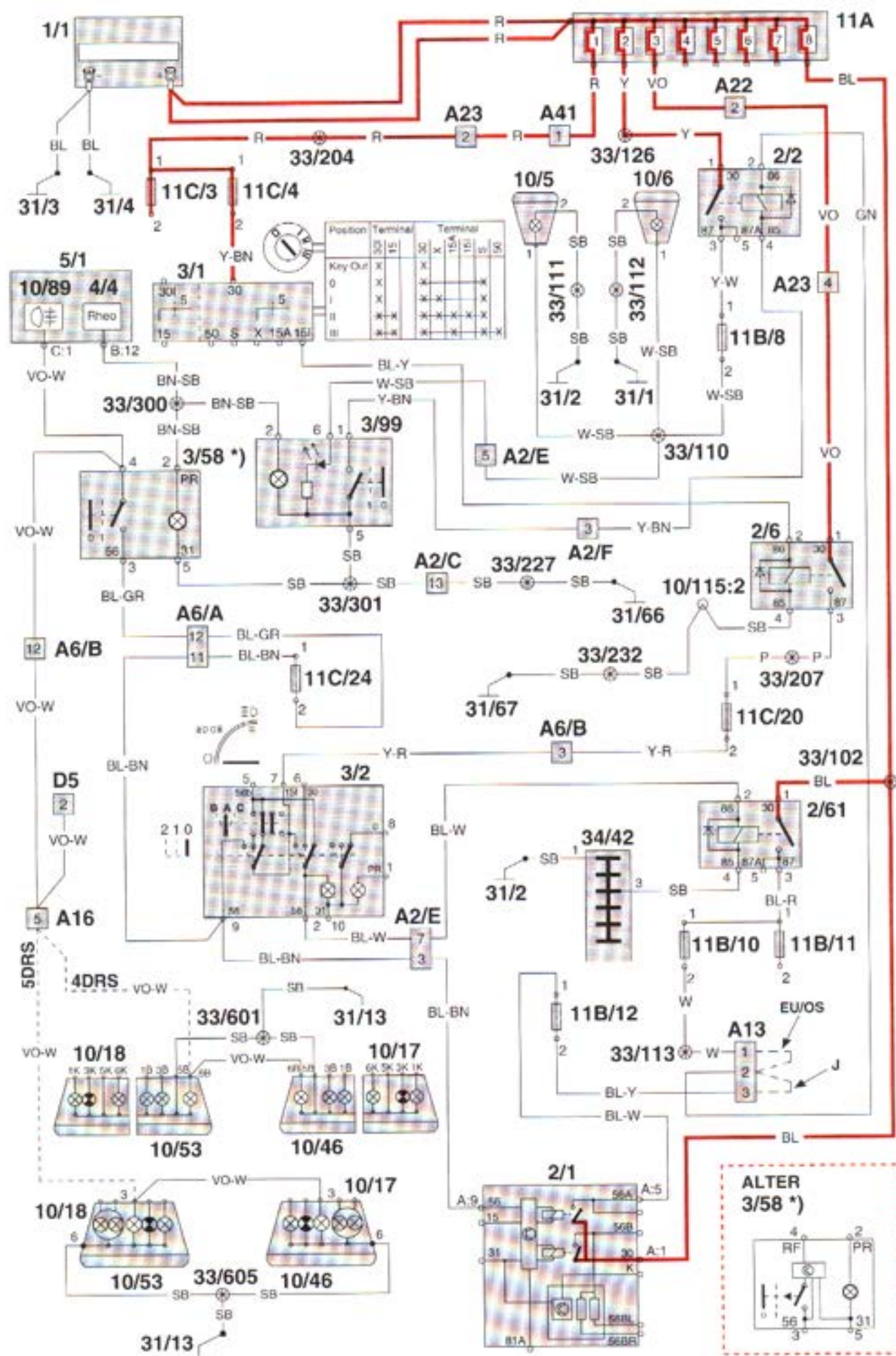
31/66



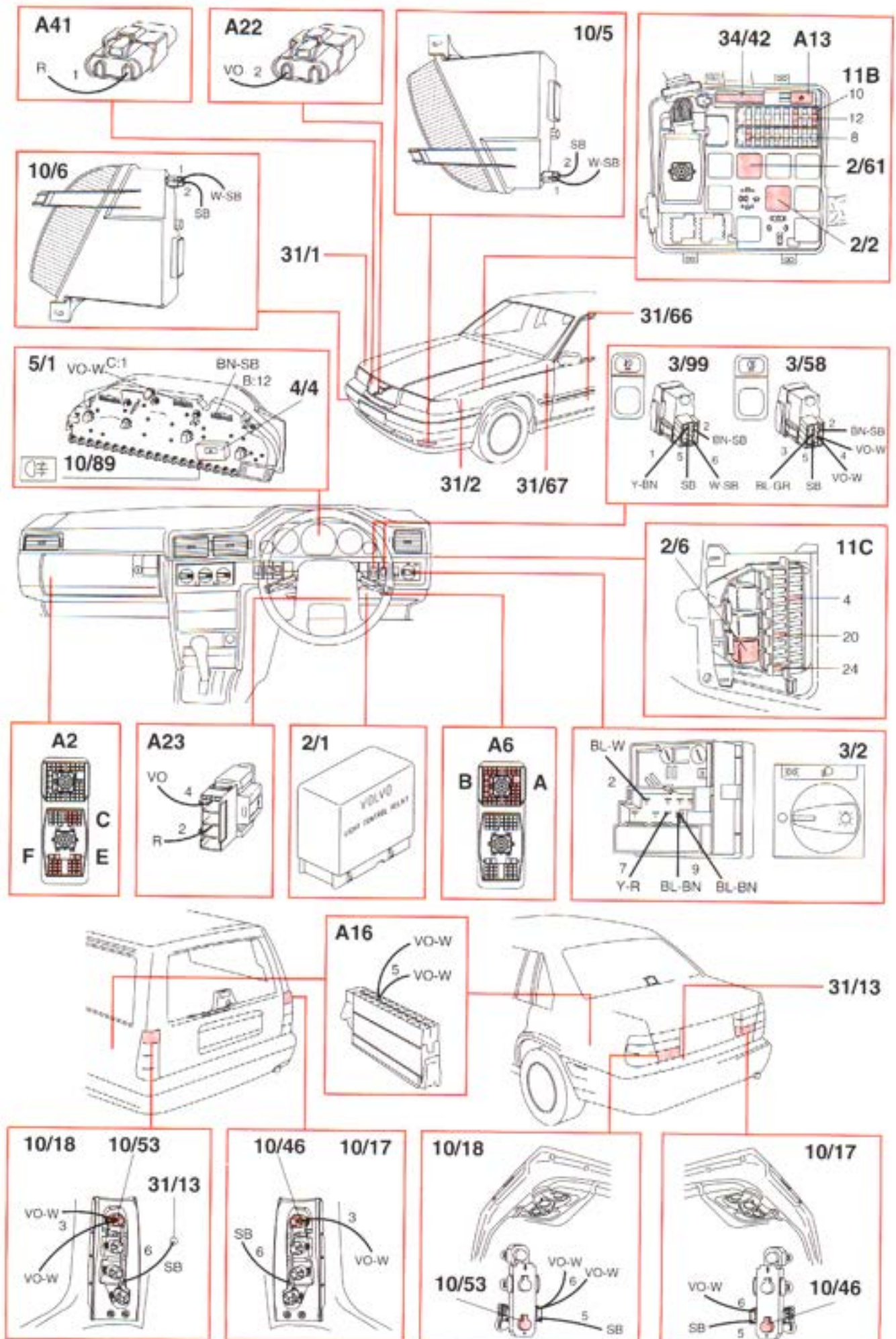
31/13



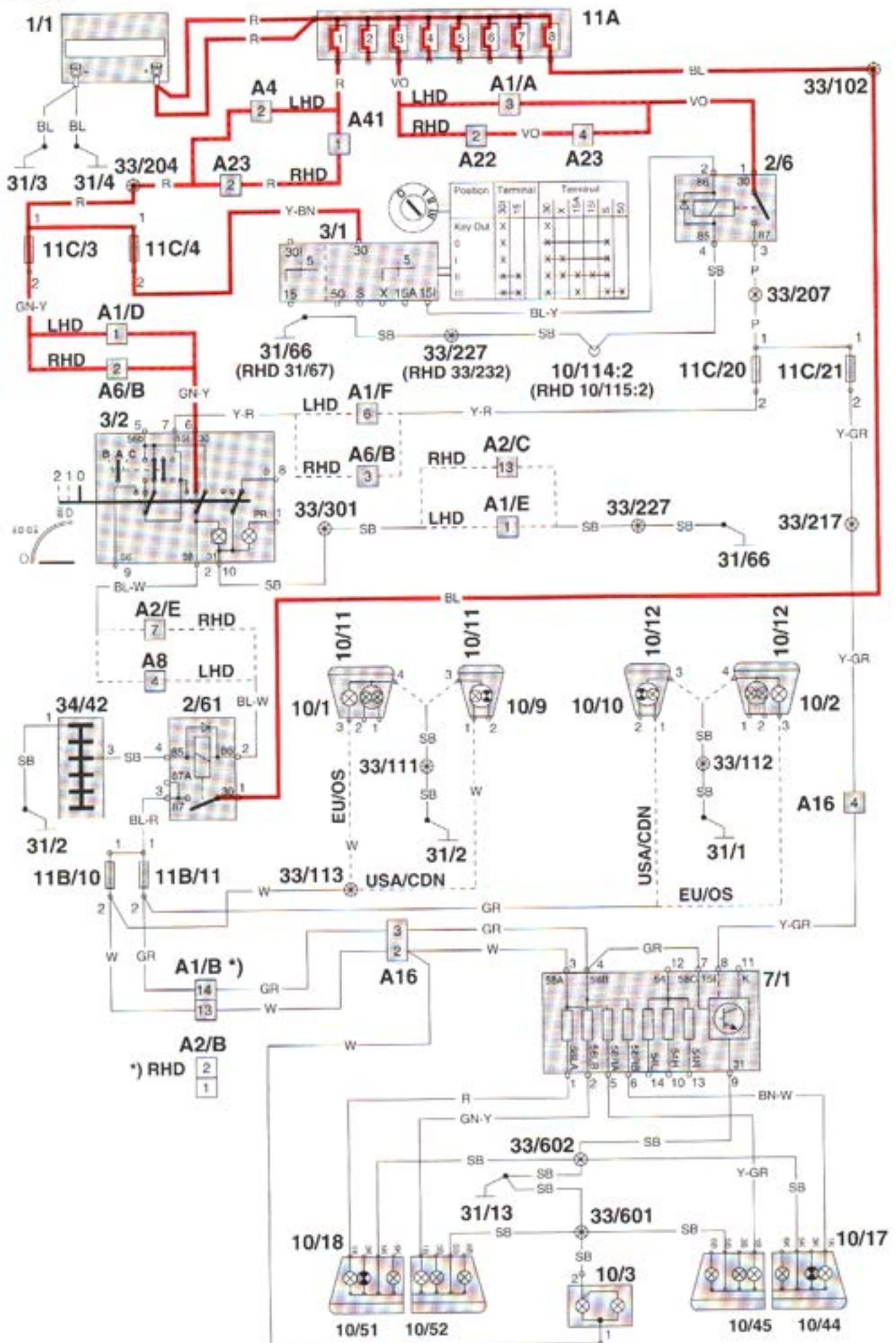
# Fog lamps Right-hand drive cars



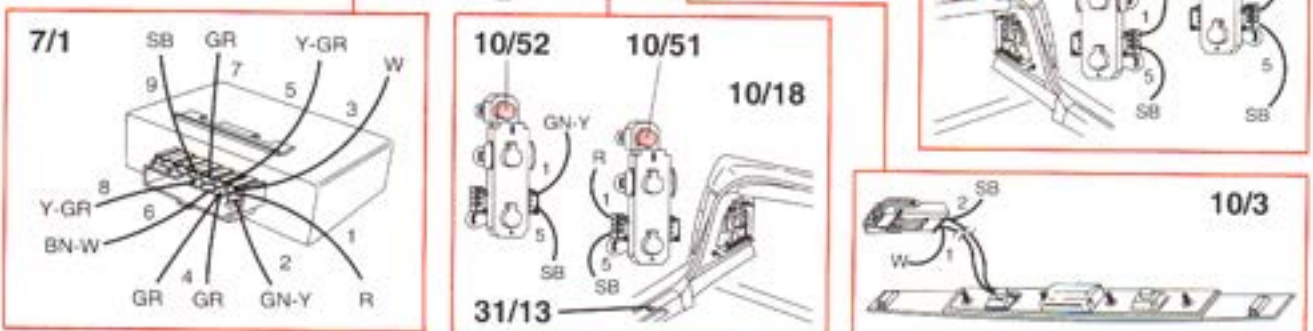
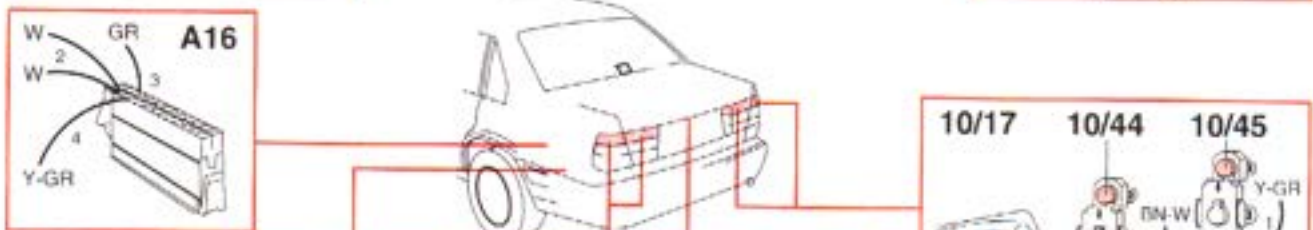
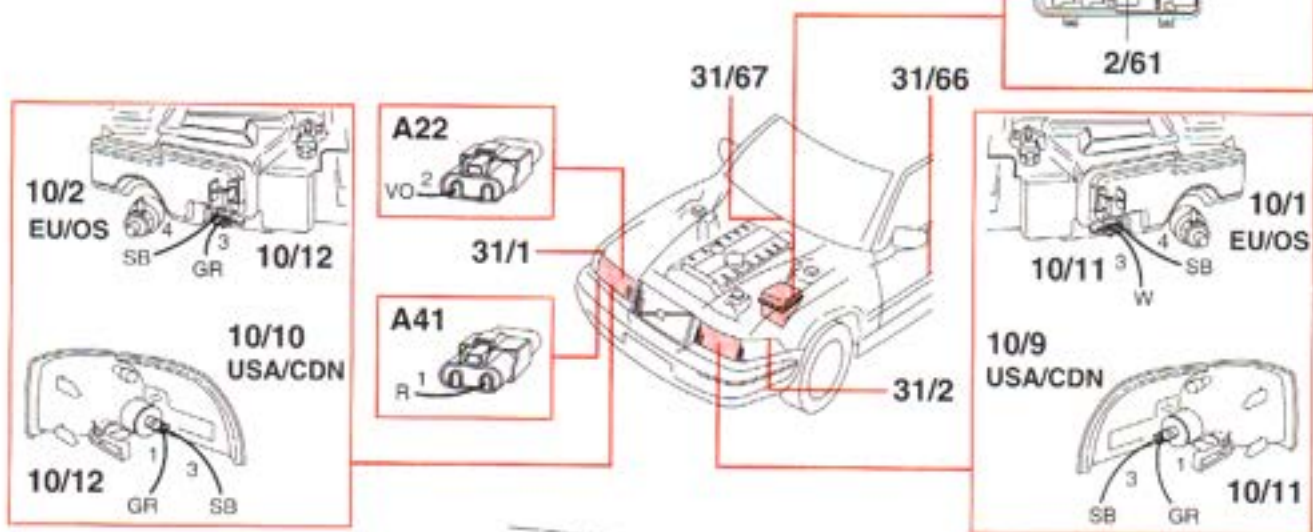
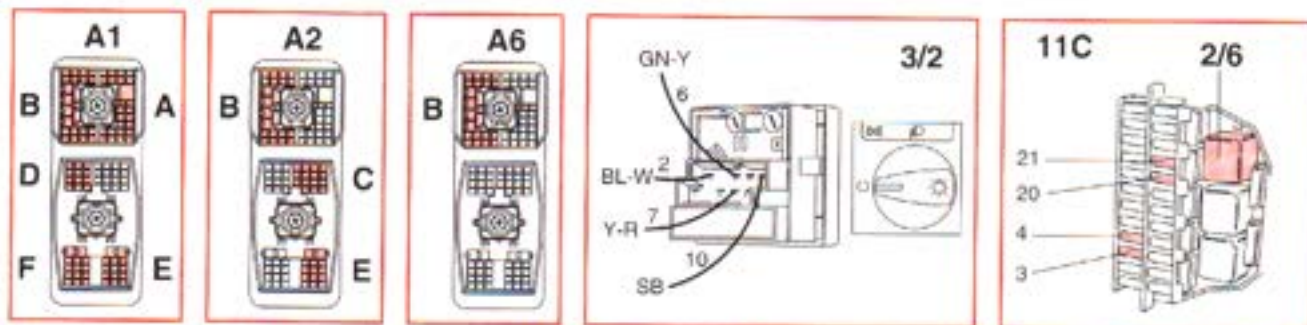
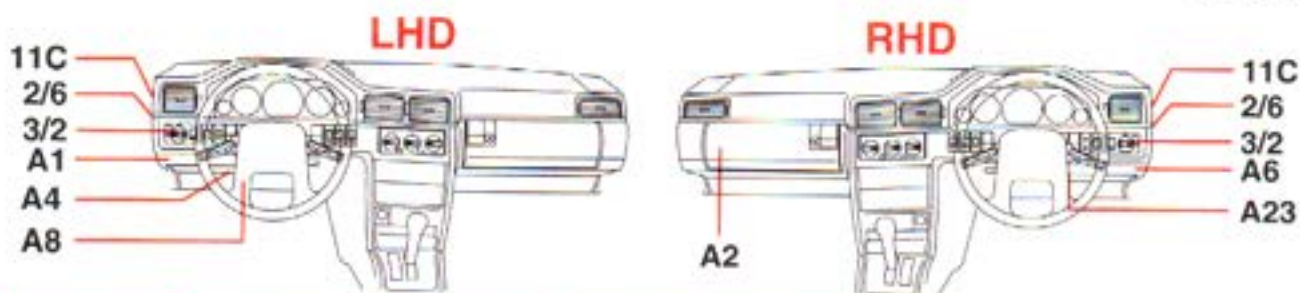
# Fog lamps Right-hand drive cars



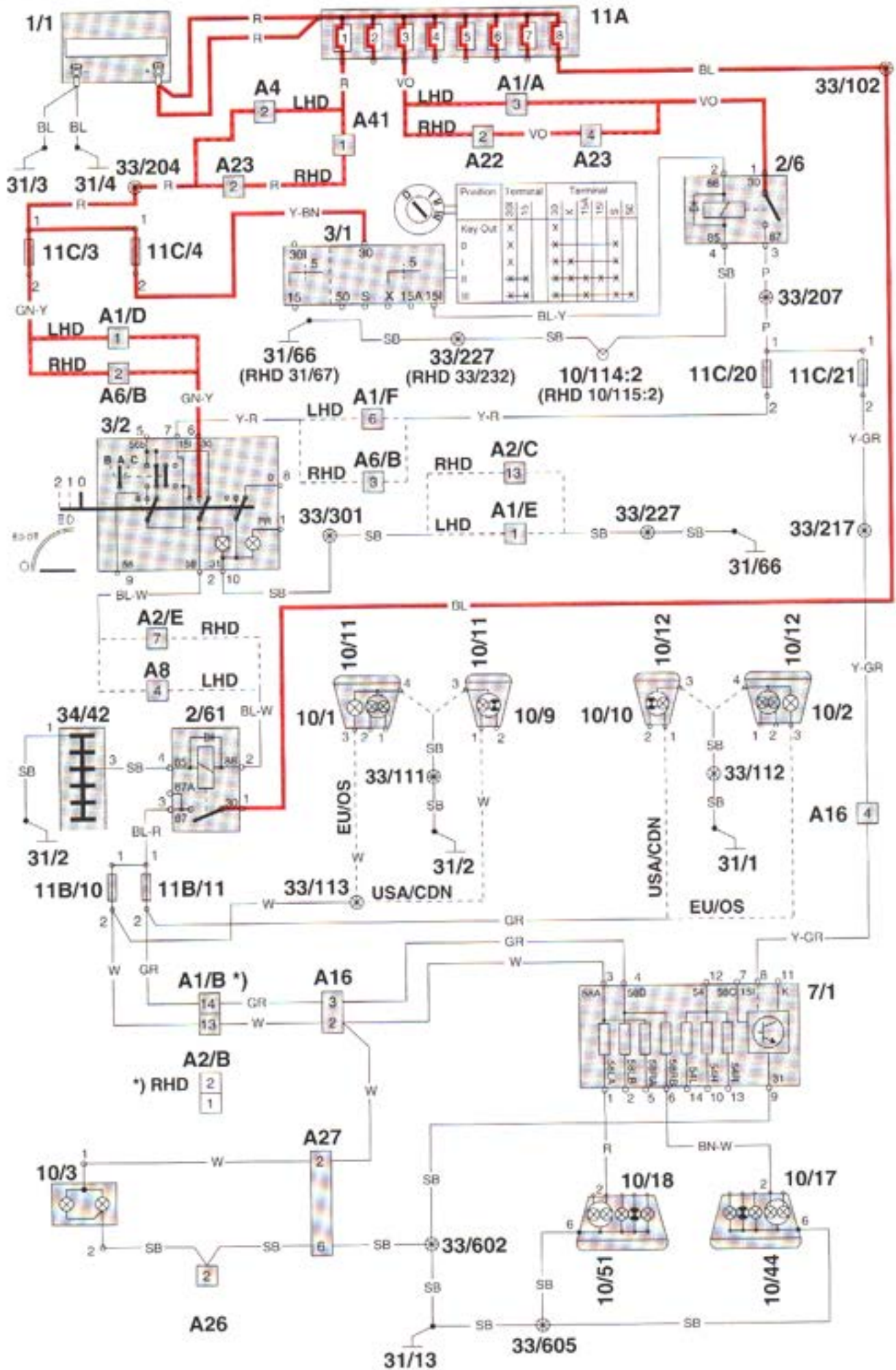
# Parking lamps, tail lamp and license plate lighting 4-door



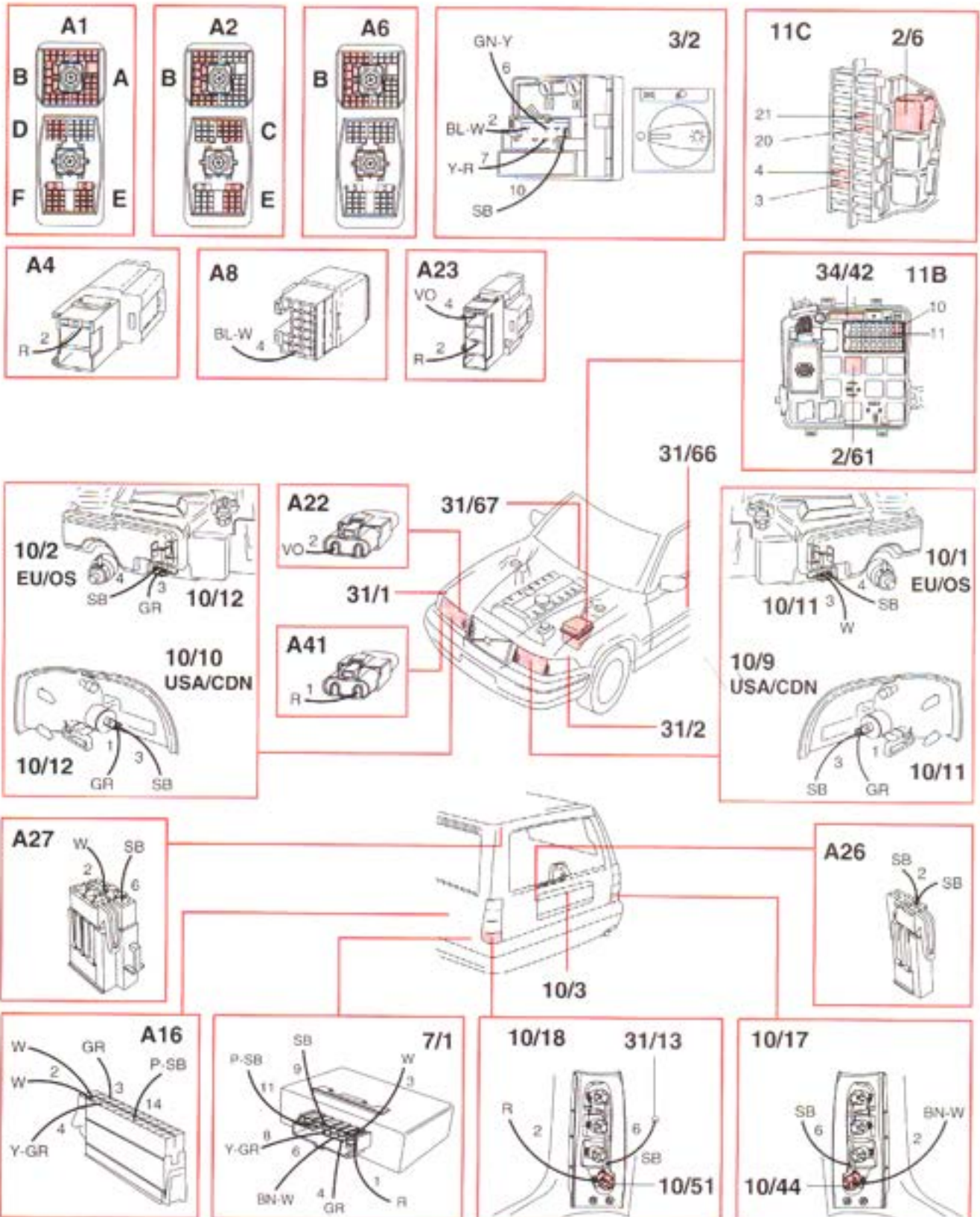
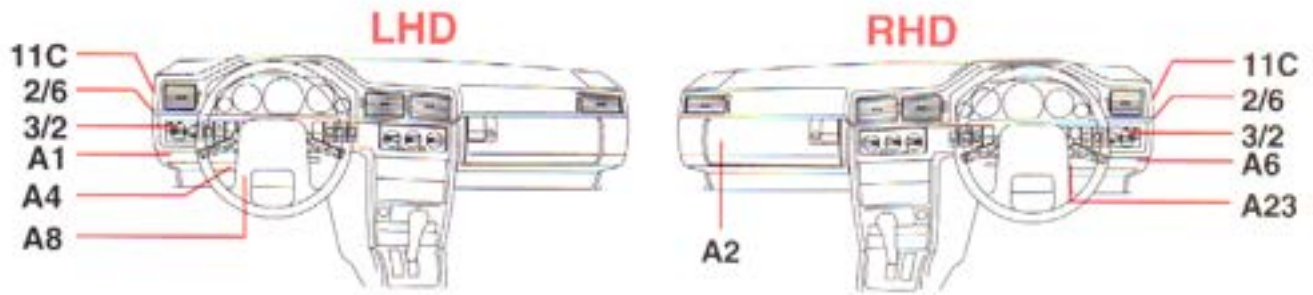
# Parking lamps, tail lamp and license plate lighting 4-door



# Parking lamps, tail lamp and license plate lighting 5-door

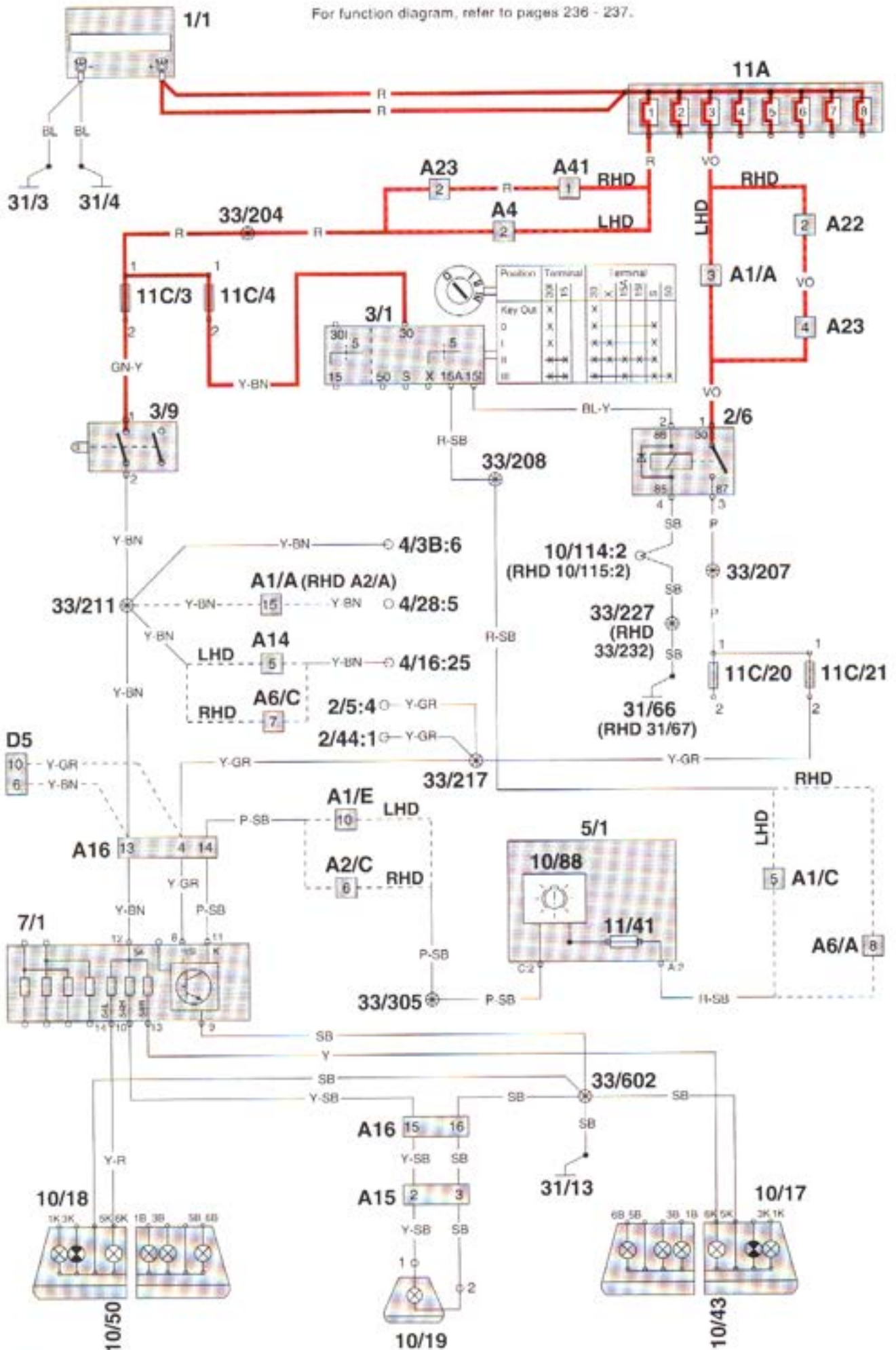


# Parking lamps, tail lamp and license plate lighting 5-door

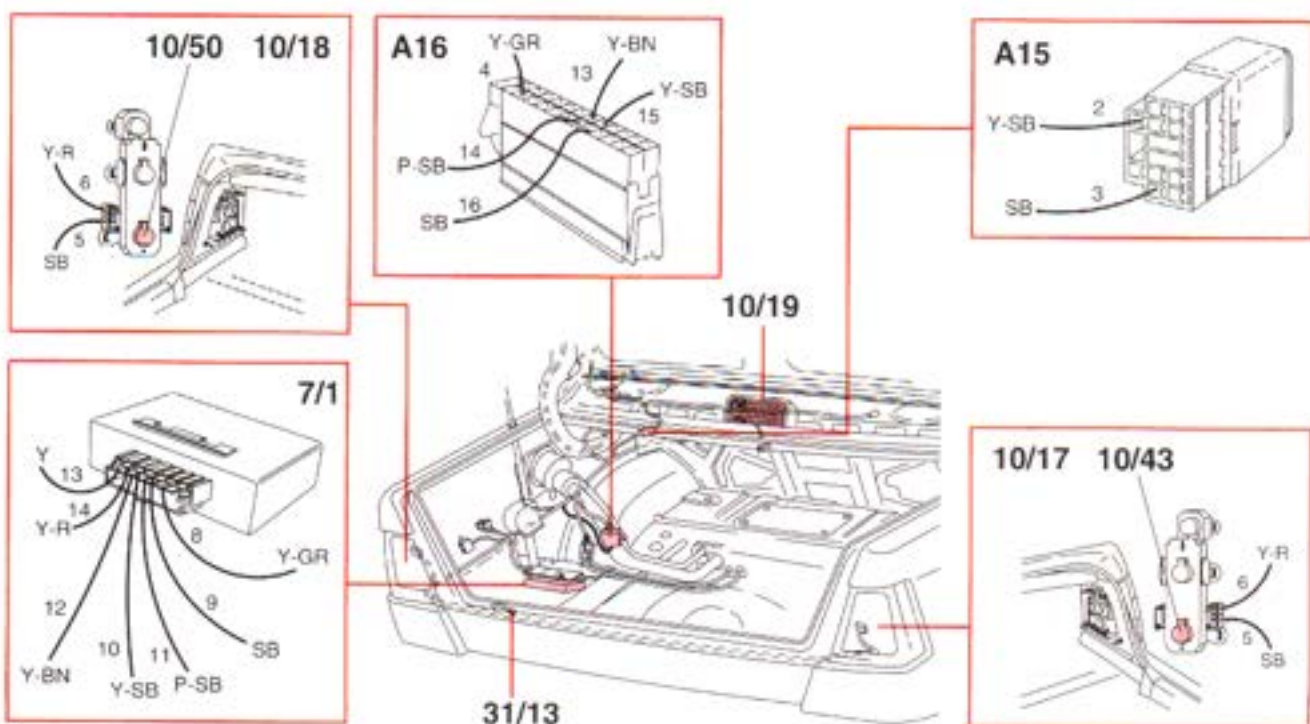
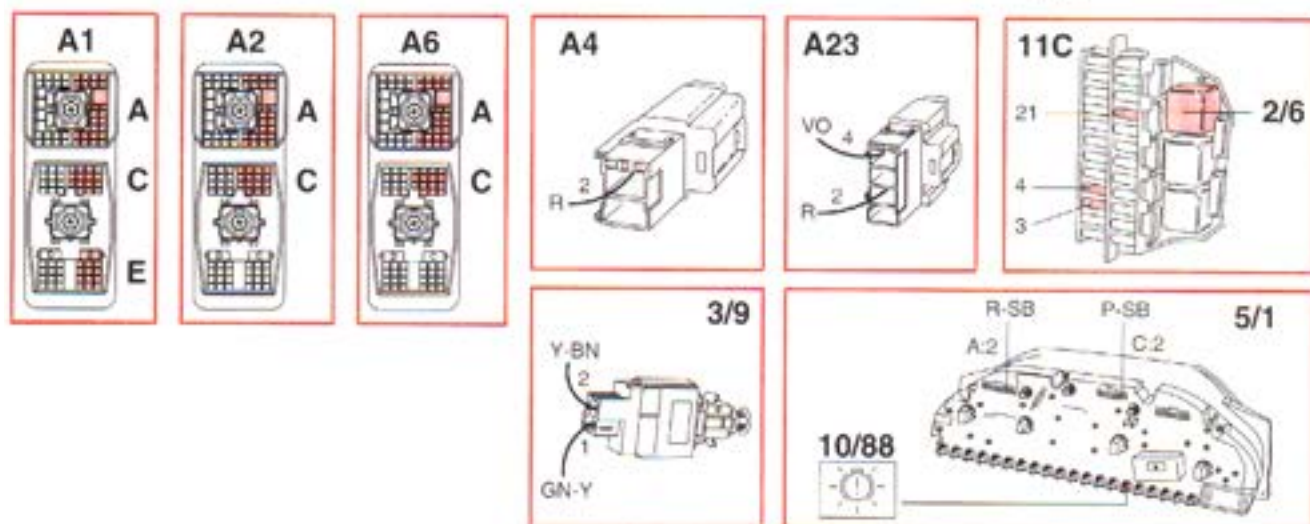
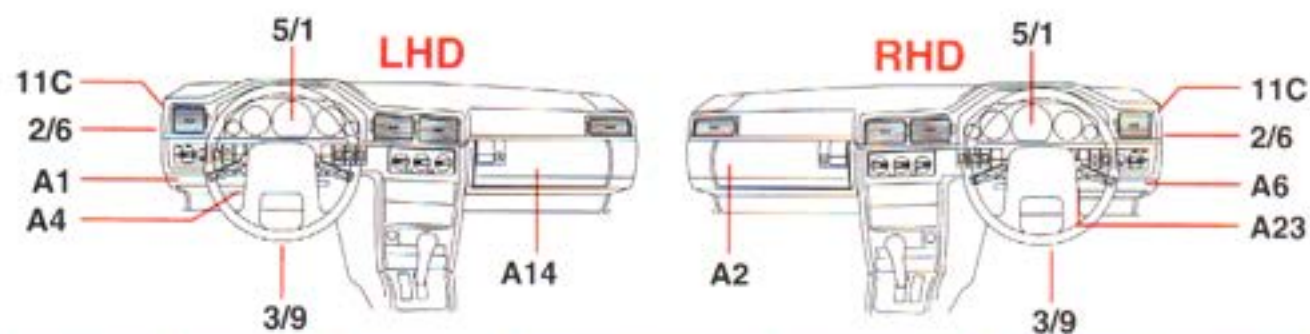
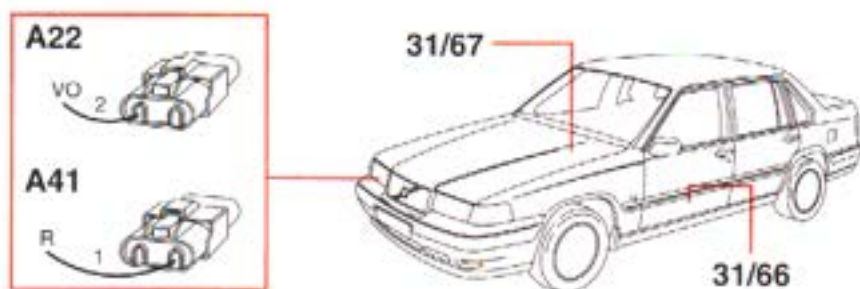


# Stop (brake) lamps 4-door

For function diagram, refer to pages 236 - 237.

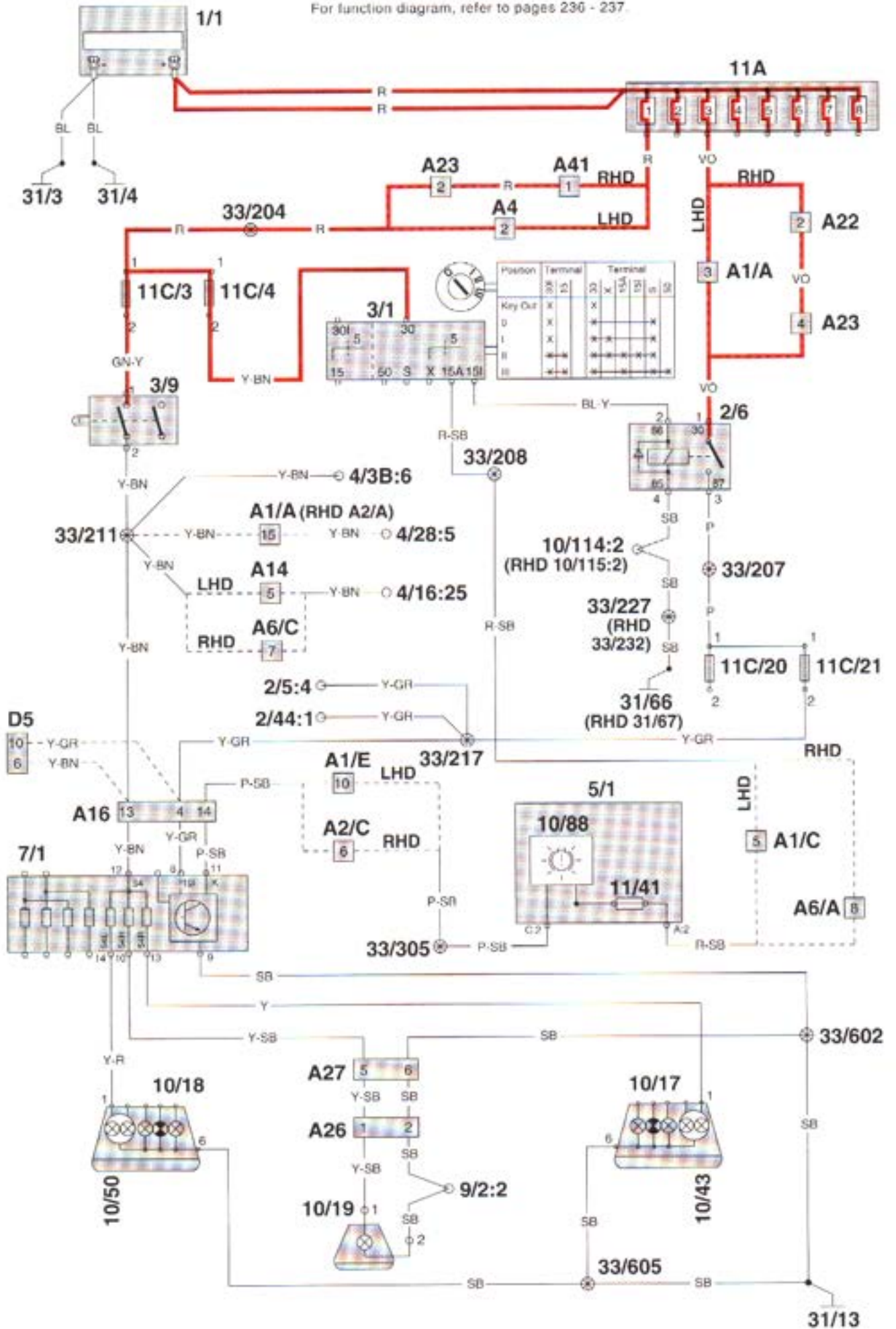


# Stop (brake) lamps 4-door

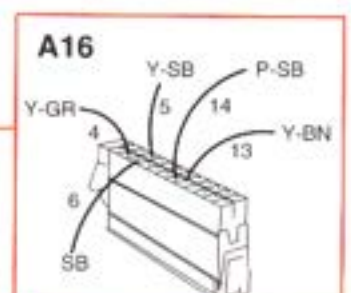
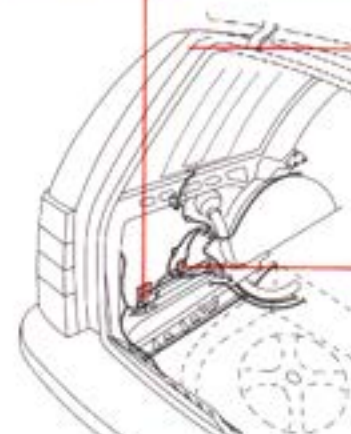
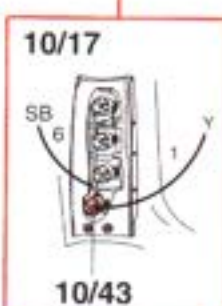
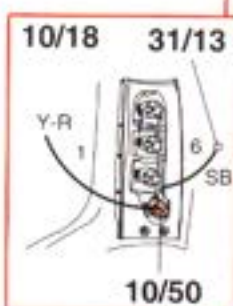
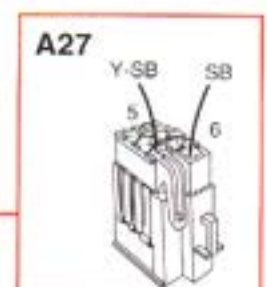
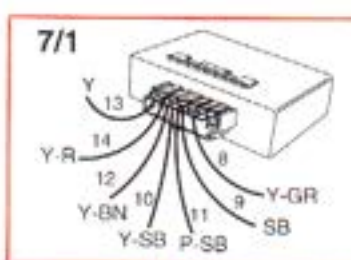
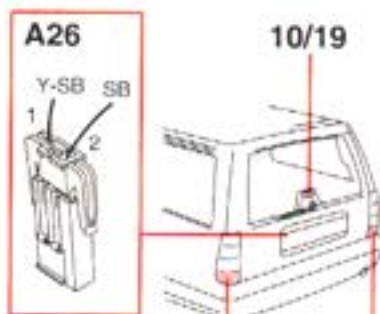
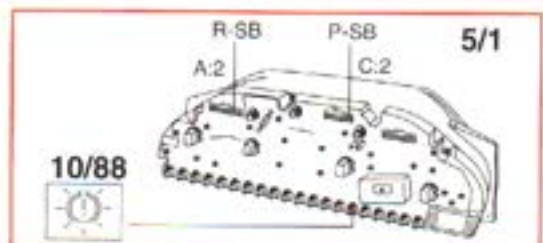
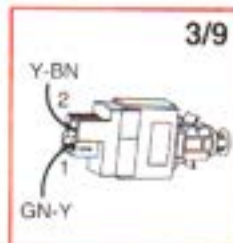
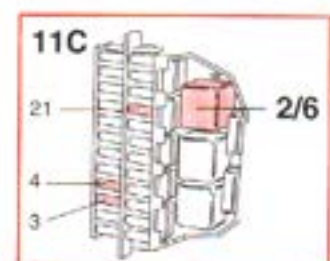
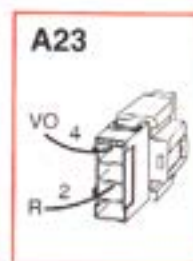
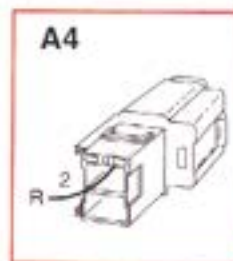
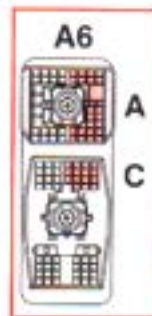
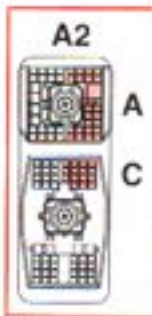
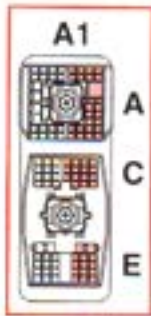
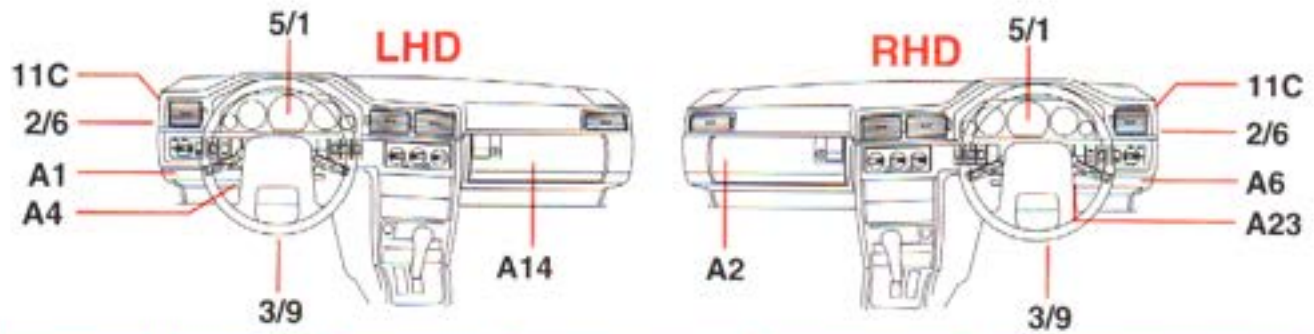
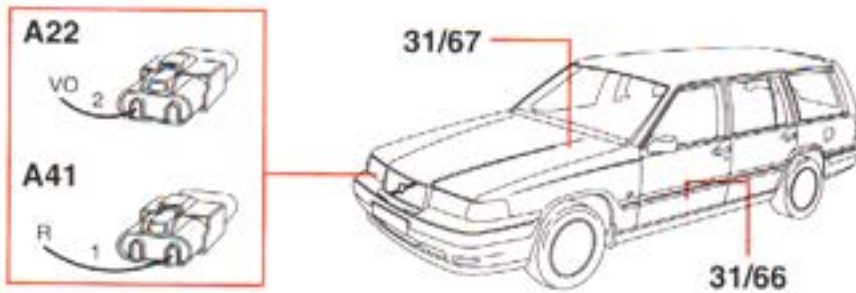


# Stop (brake) lamps 5-door

For function diagram, refer to pages 236 - 237

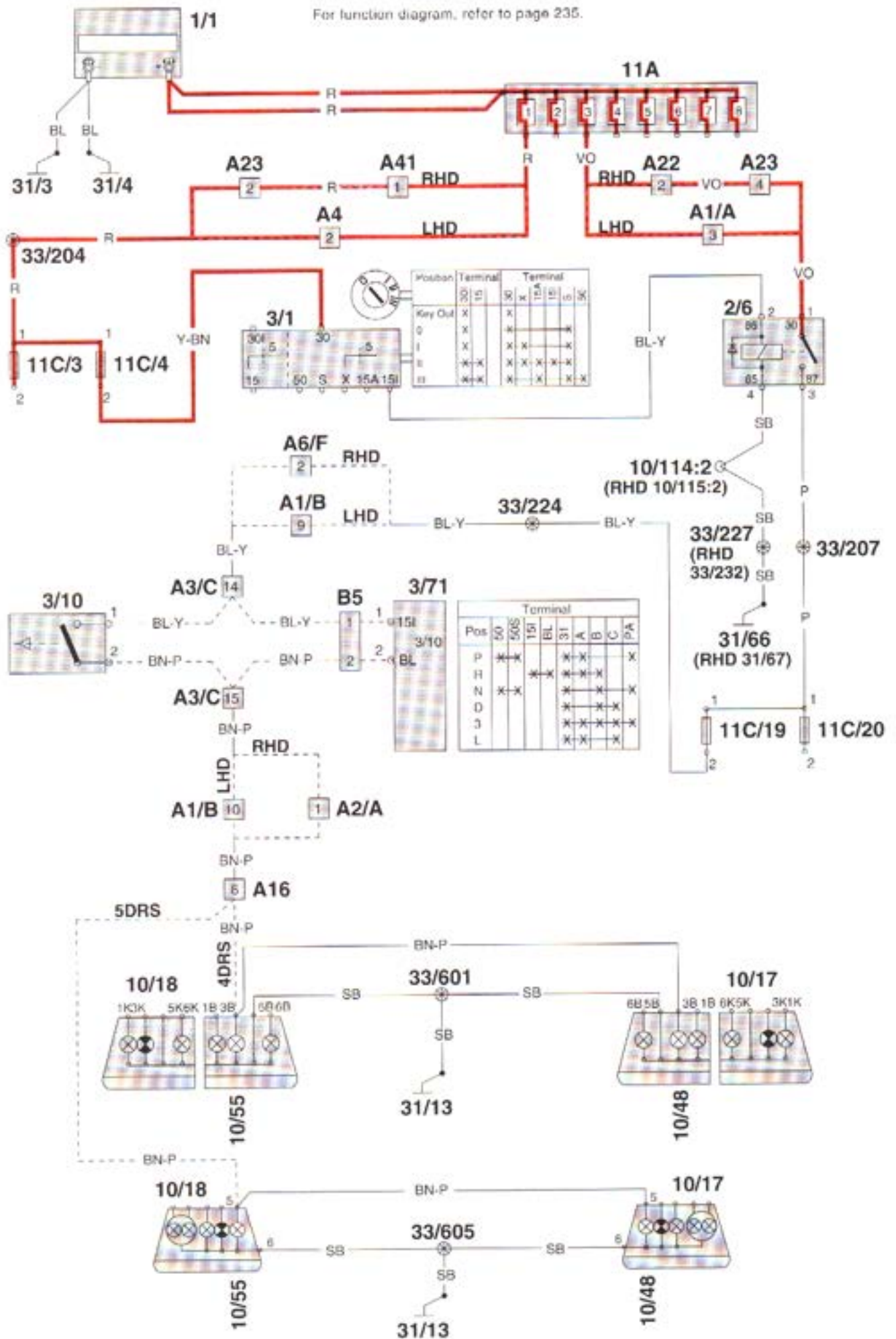


# Stop (brake) lamps 5-door

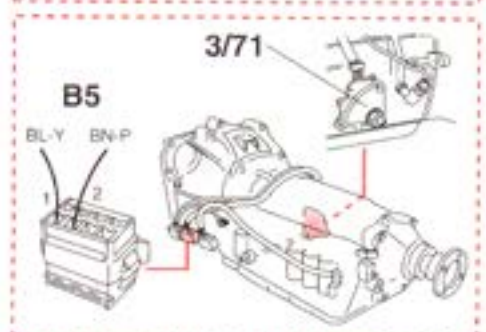
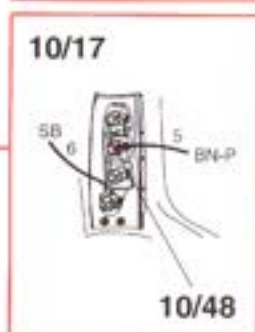
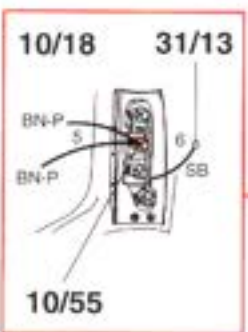
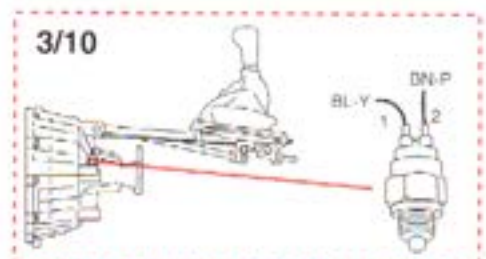
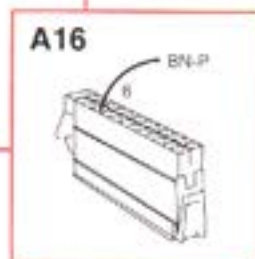
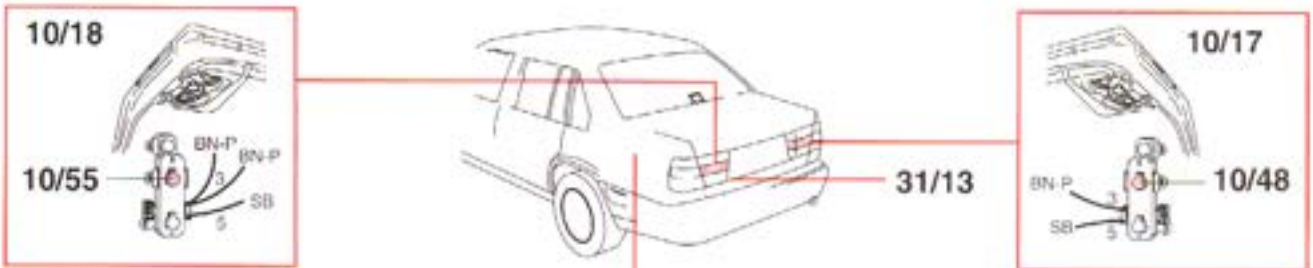
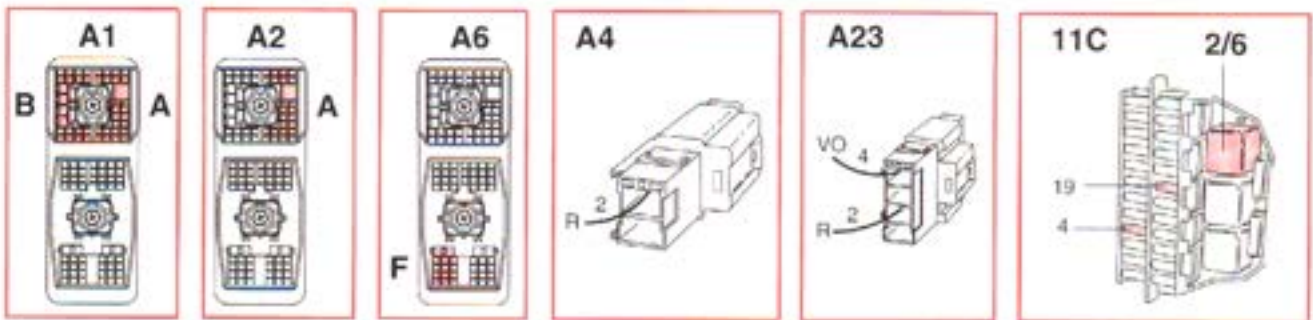
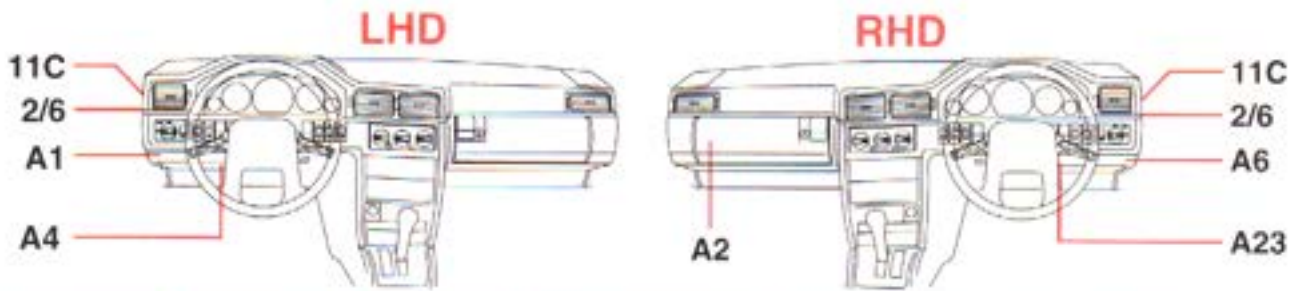
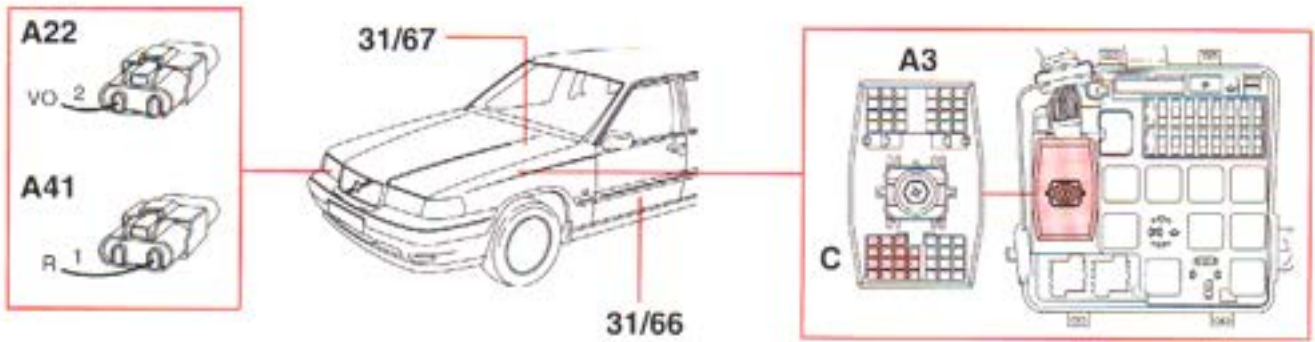


# Back-up (reversing) lamps

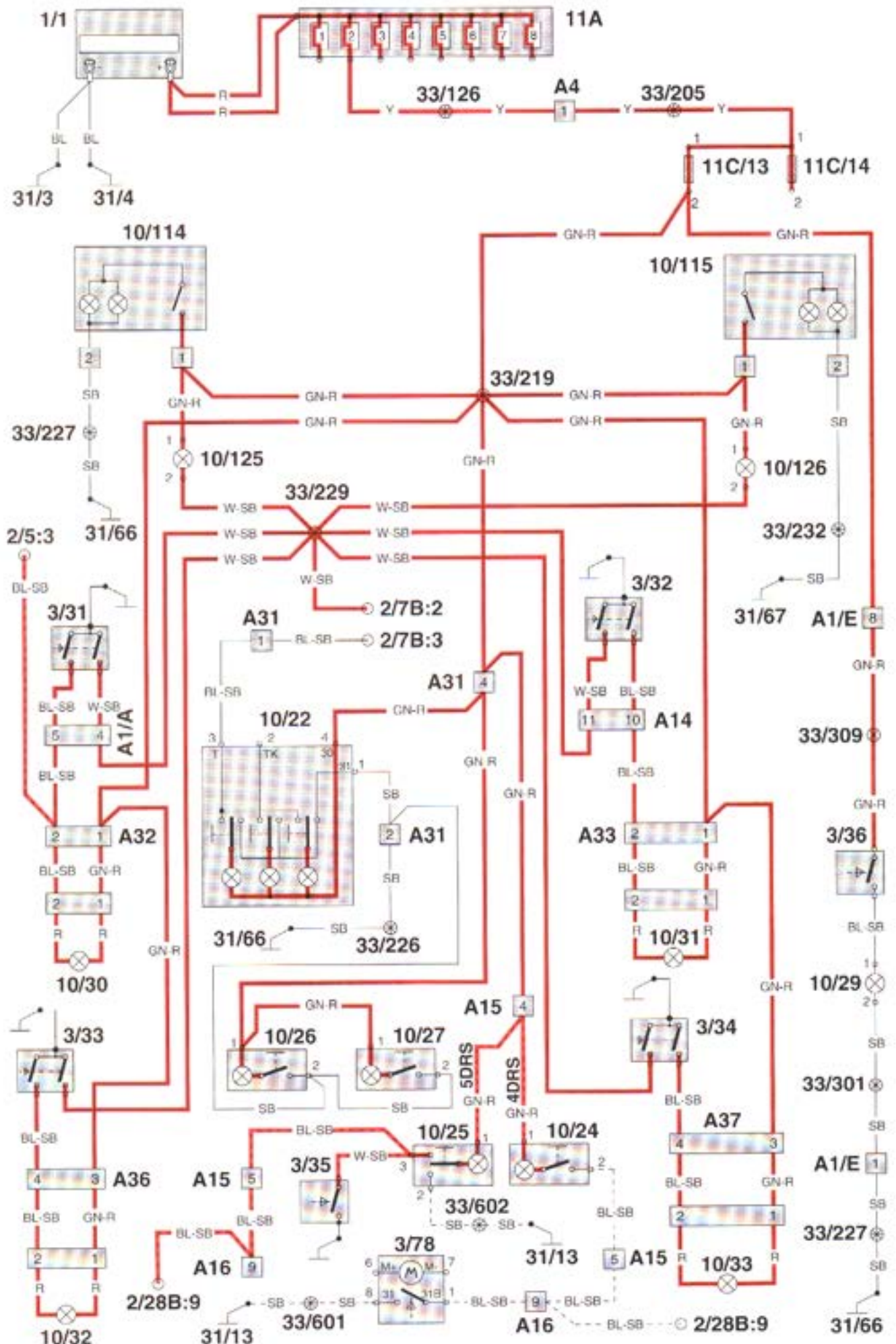
For function diagram, refer to page 235.



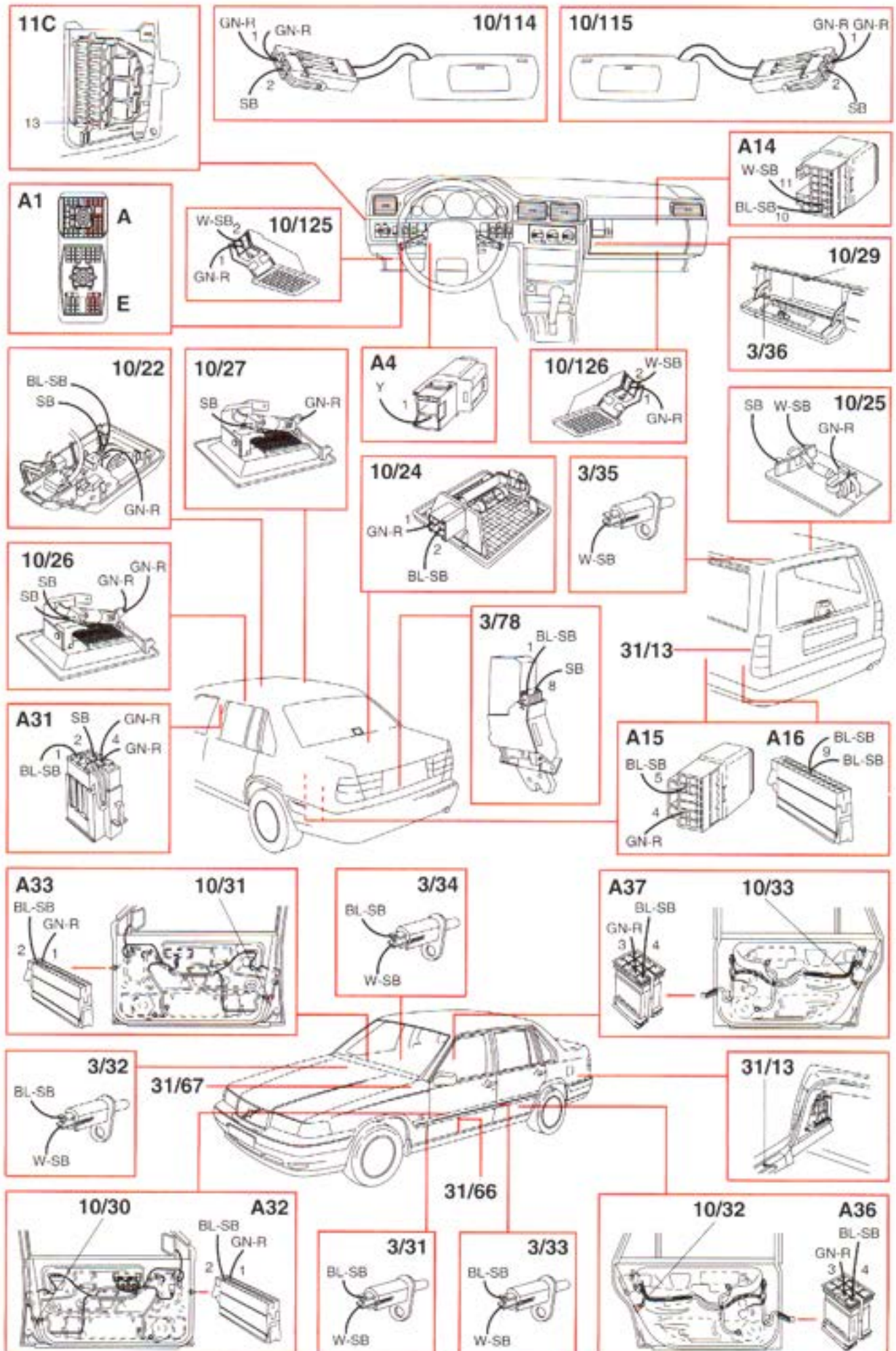
# Back-up (reversing) lamps



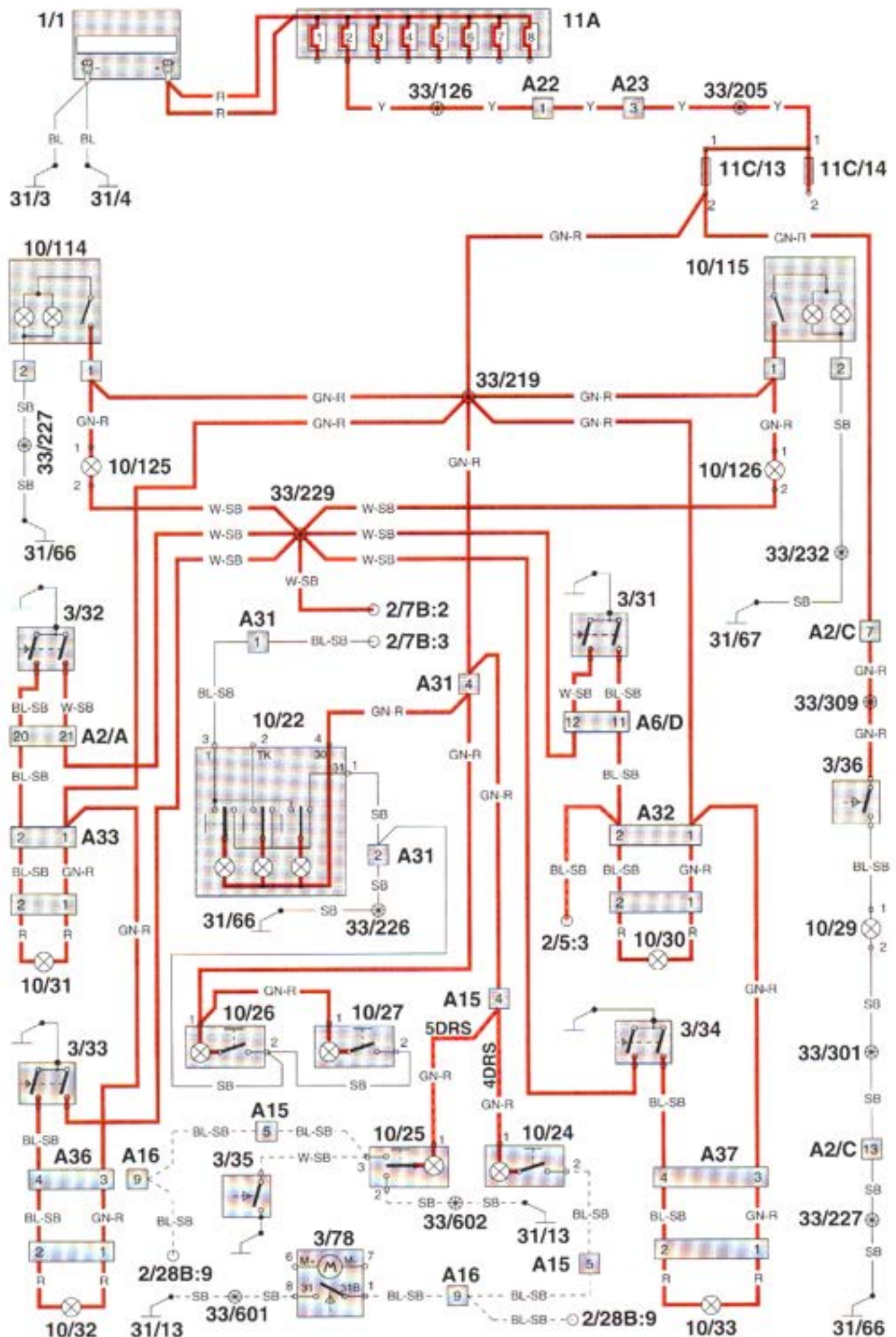
Courtesy lighting  
Left-hand drive cars



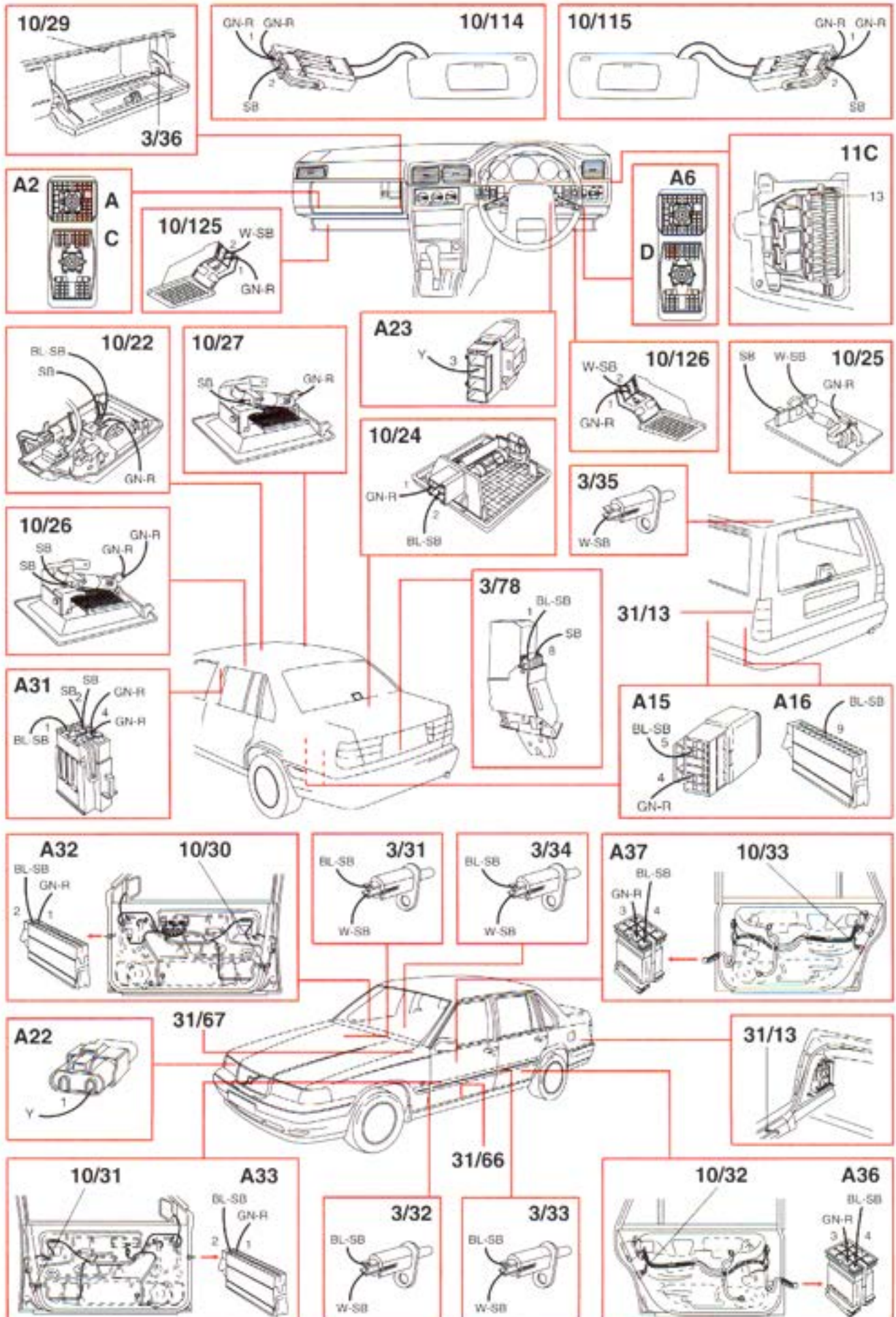
# Courtesy lighting Left-hand drive cars



# Courtesy lighting Right-hand drive cars

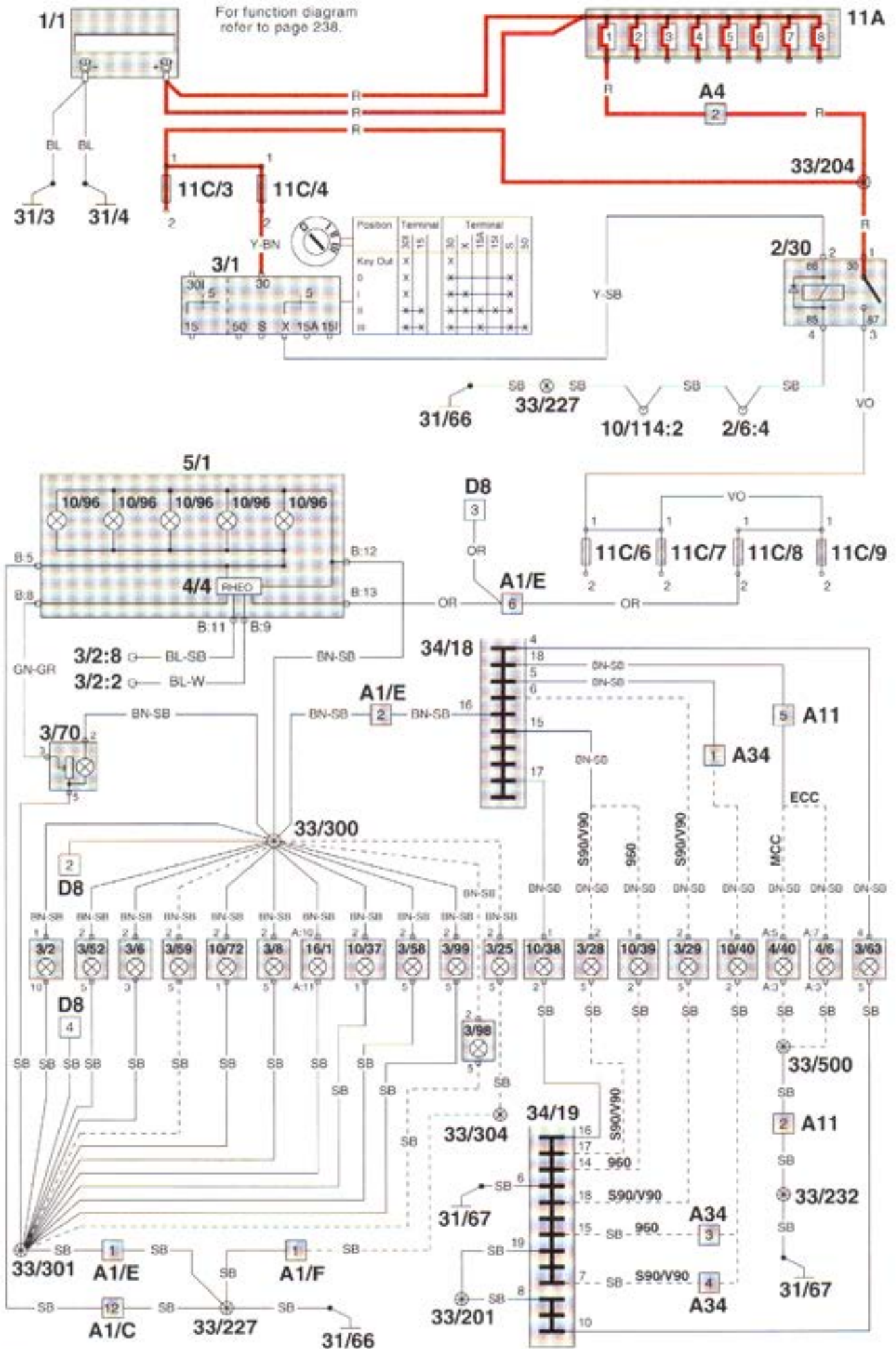


# Courtesy lighting Right-hand drive cars

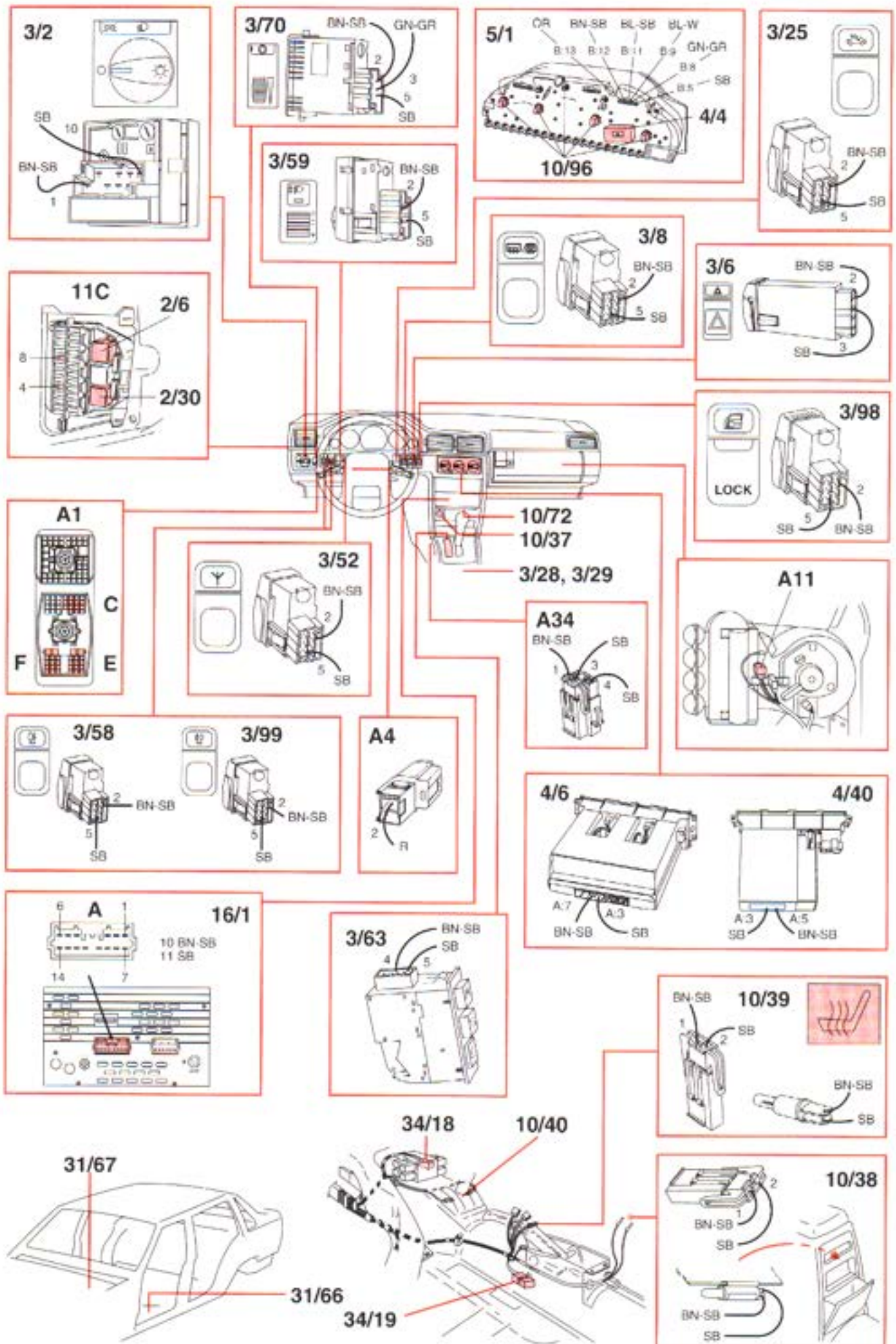


# Instrument and control lighting

## Left-hand drive cars

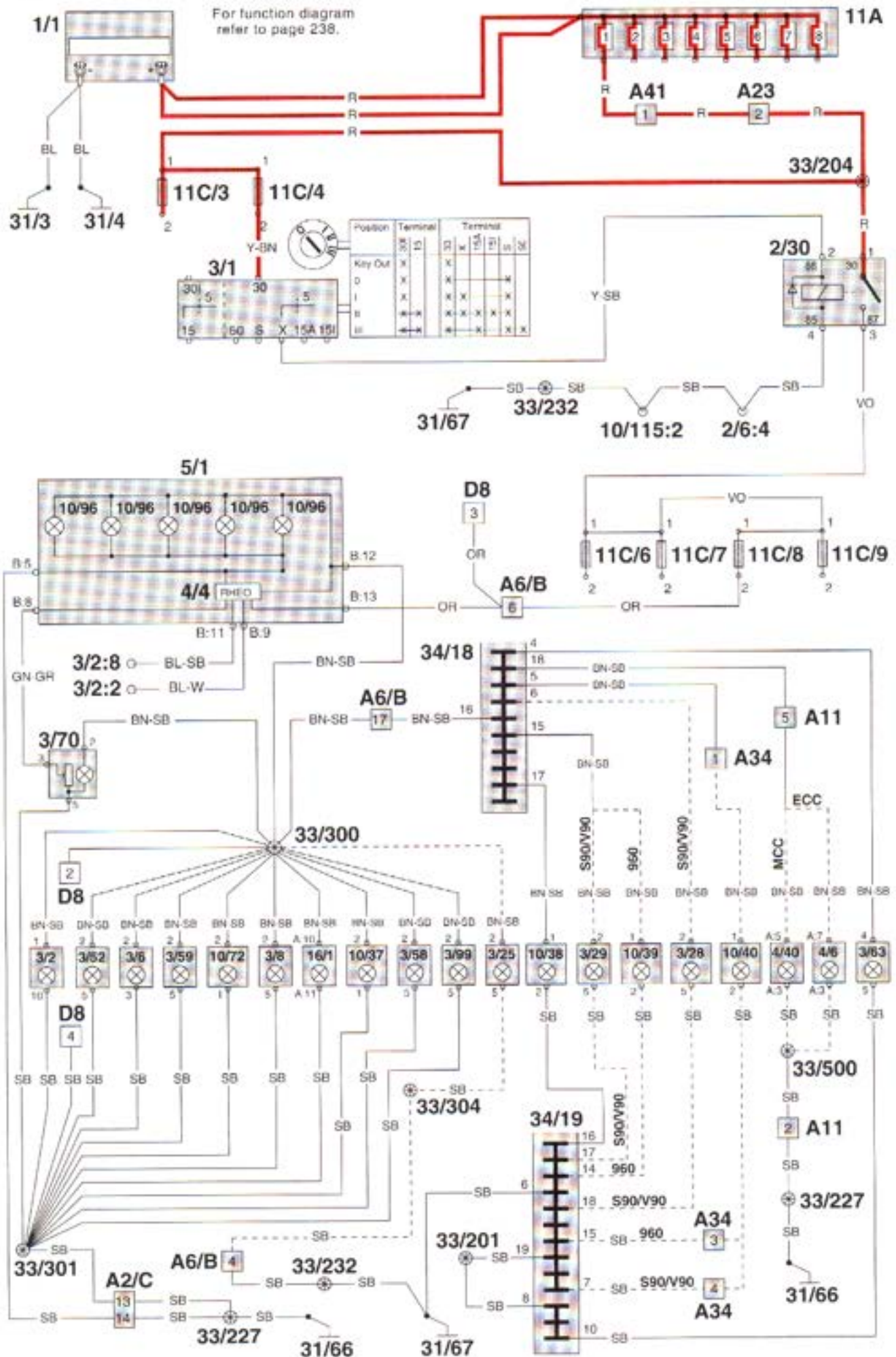


# Instrument and control lighting Left-hand drive cars

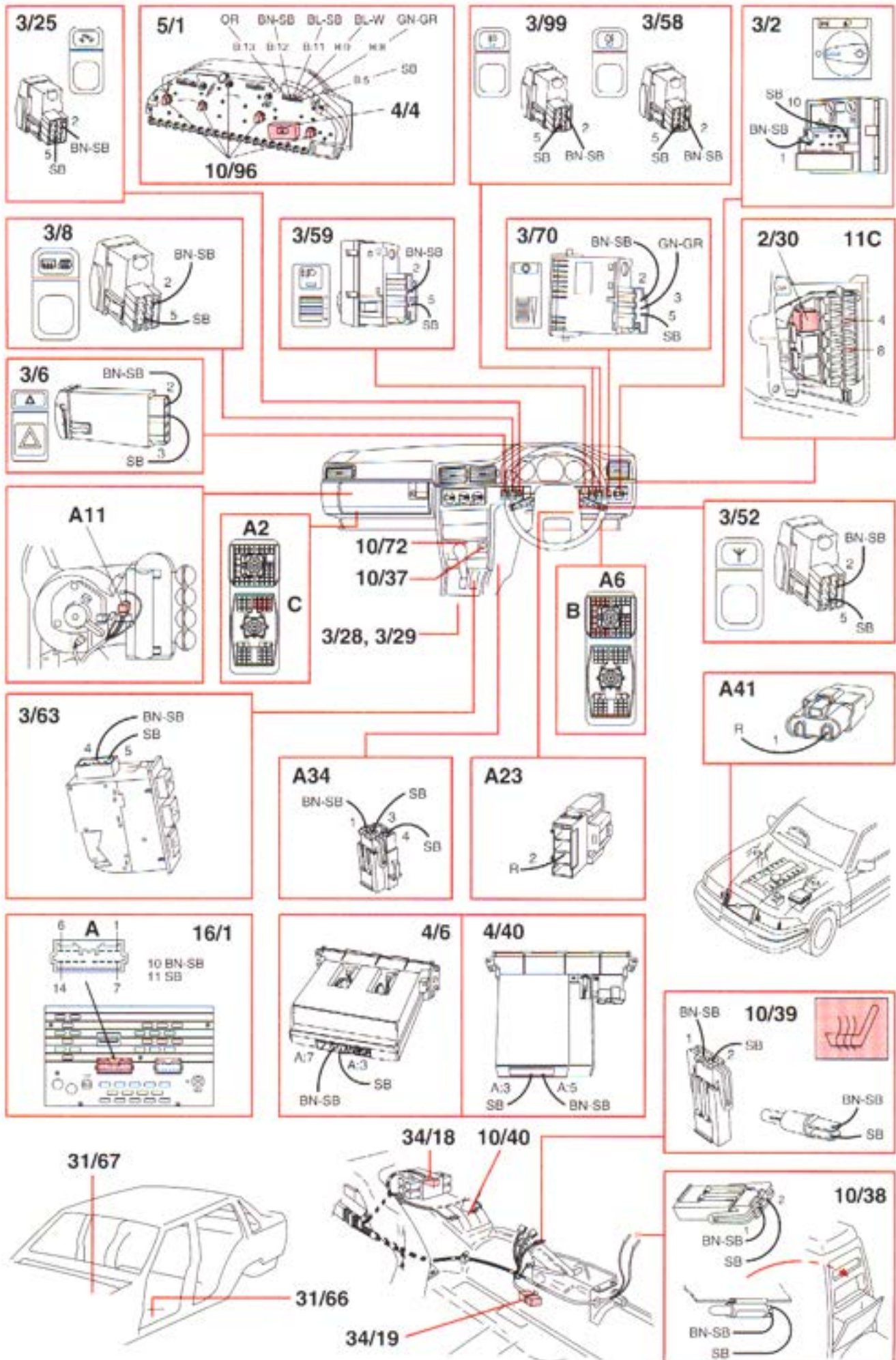


# Instrument and control lighting

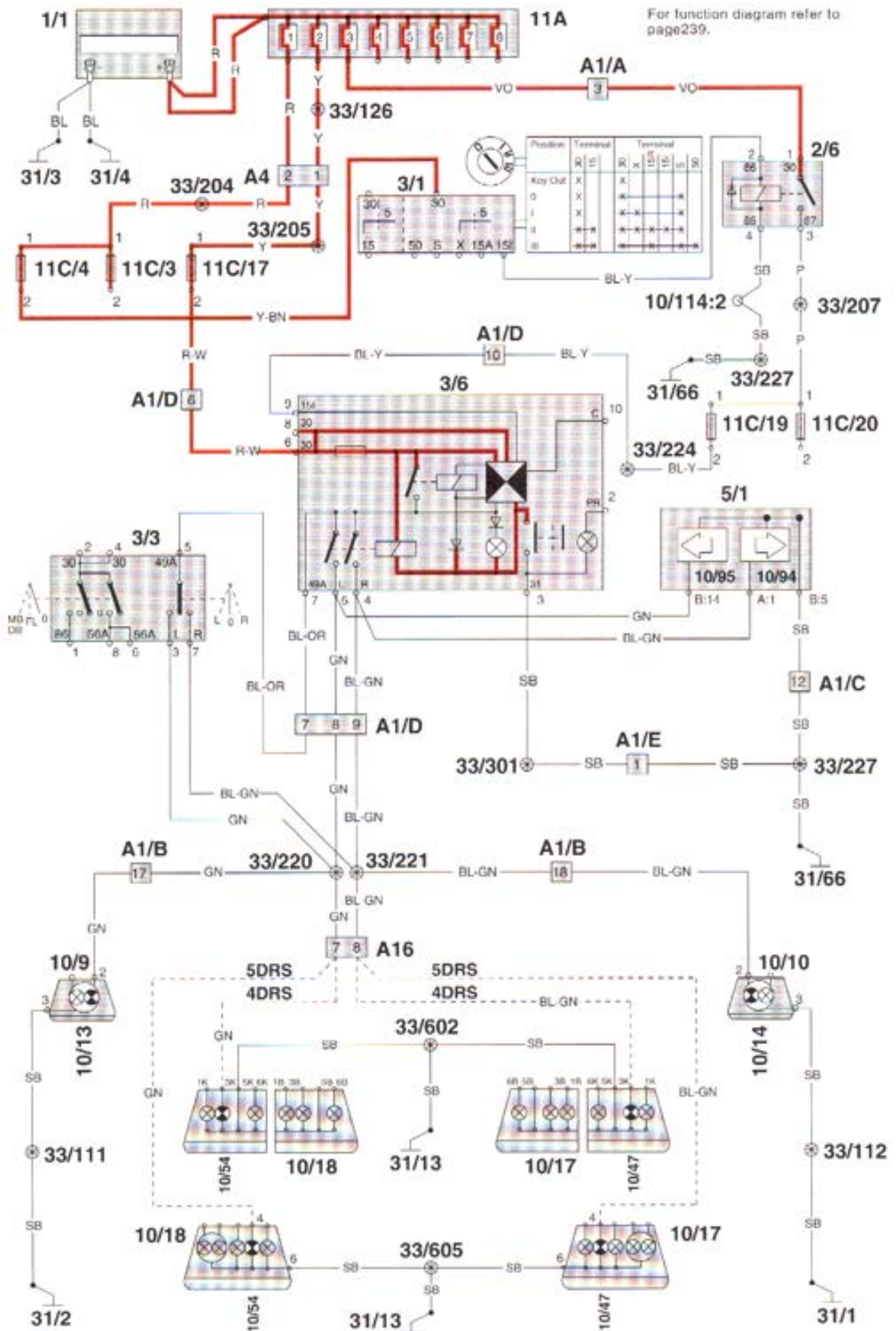
## Right-hand drive cars



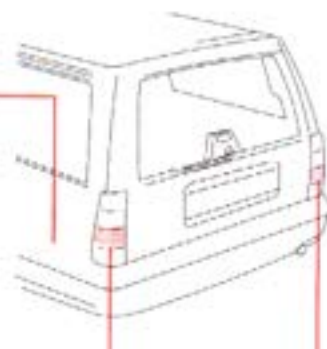
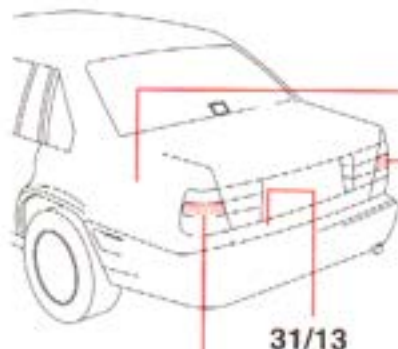
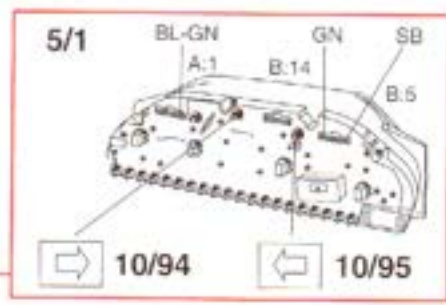
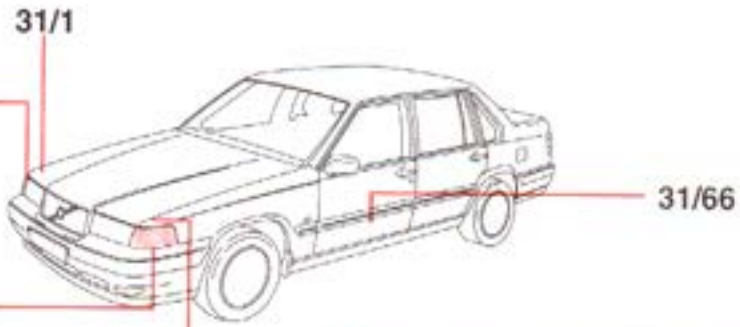
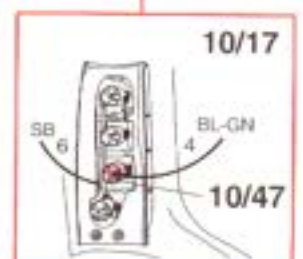
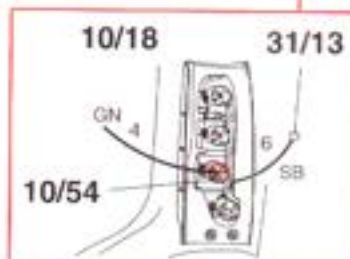
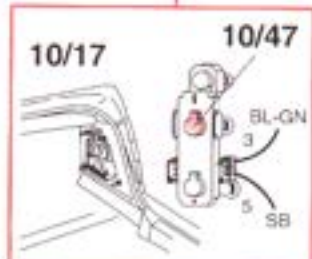
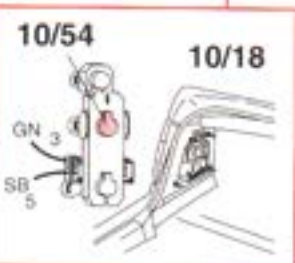
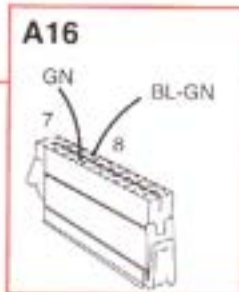
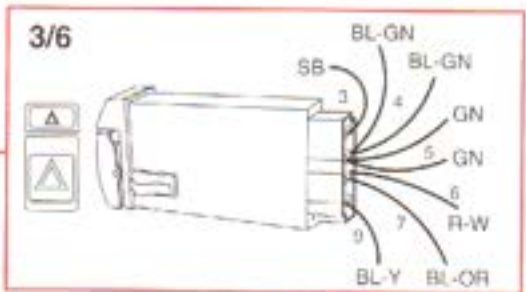
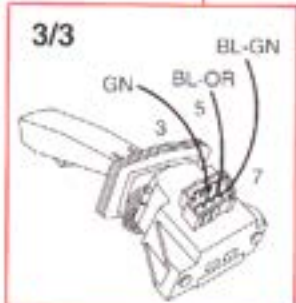
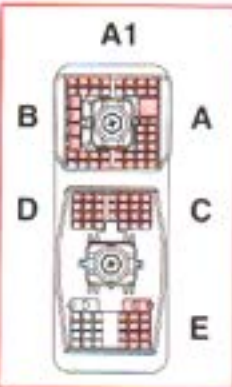
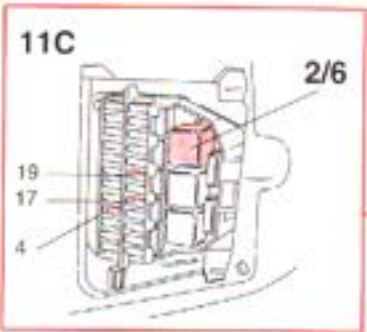
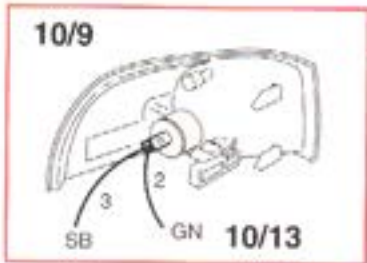
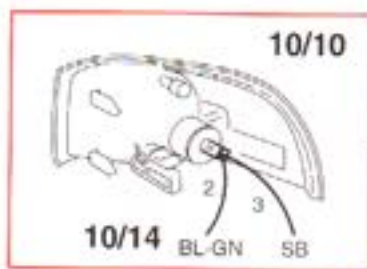
# Instrument and control lighting Right-hand drive cars



# Turn signal lamp and hazard warning signal flasher USA, Canada

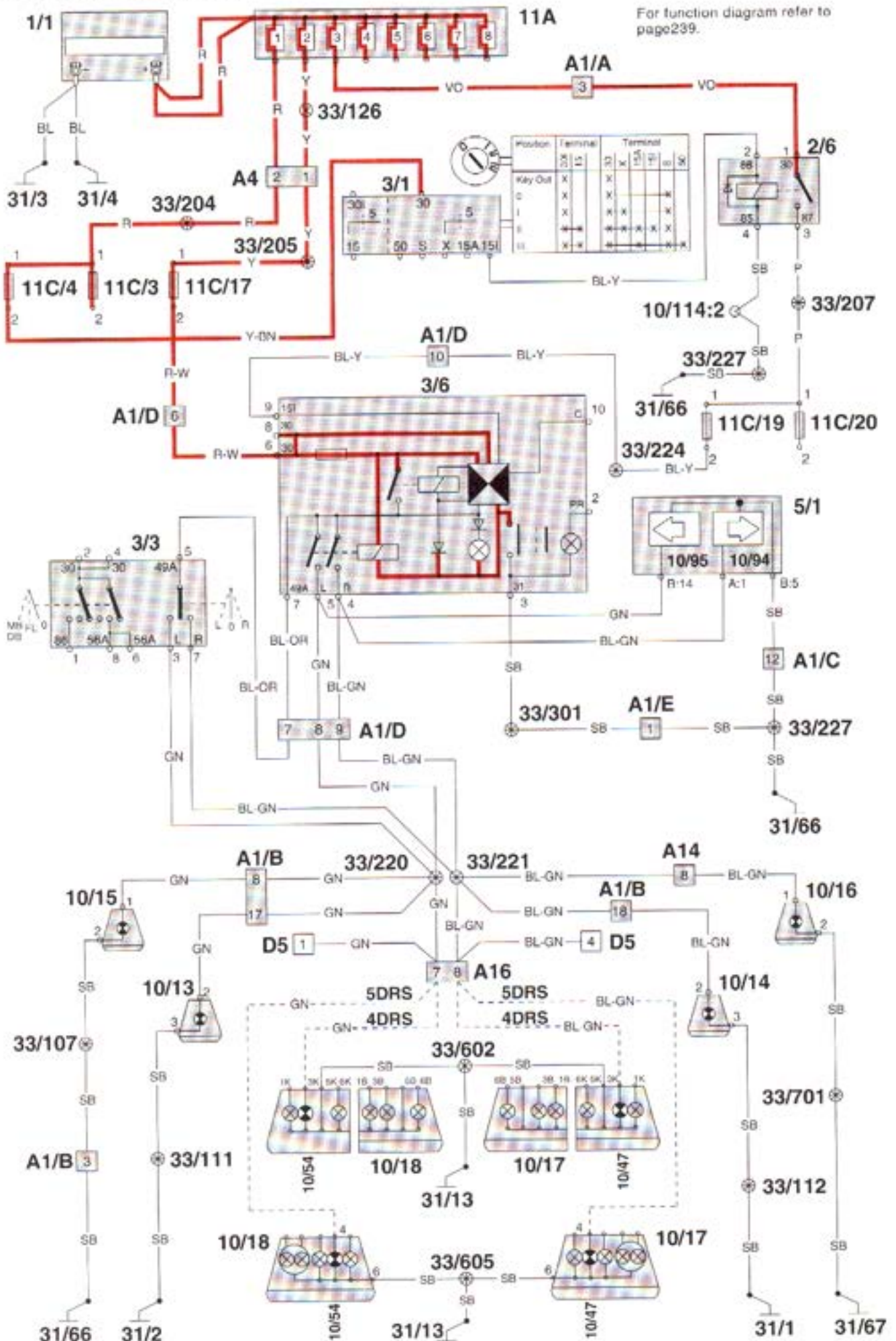


# Turn signal lamp and hazard warning signal flasher USA, Canada

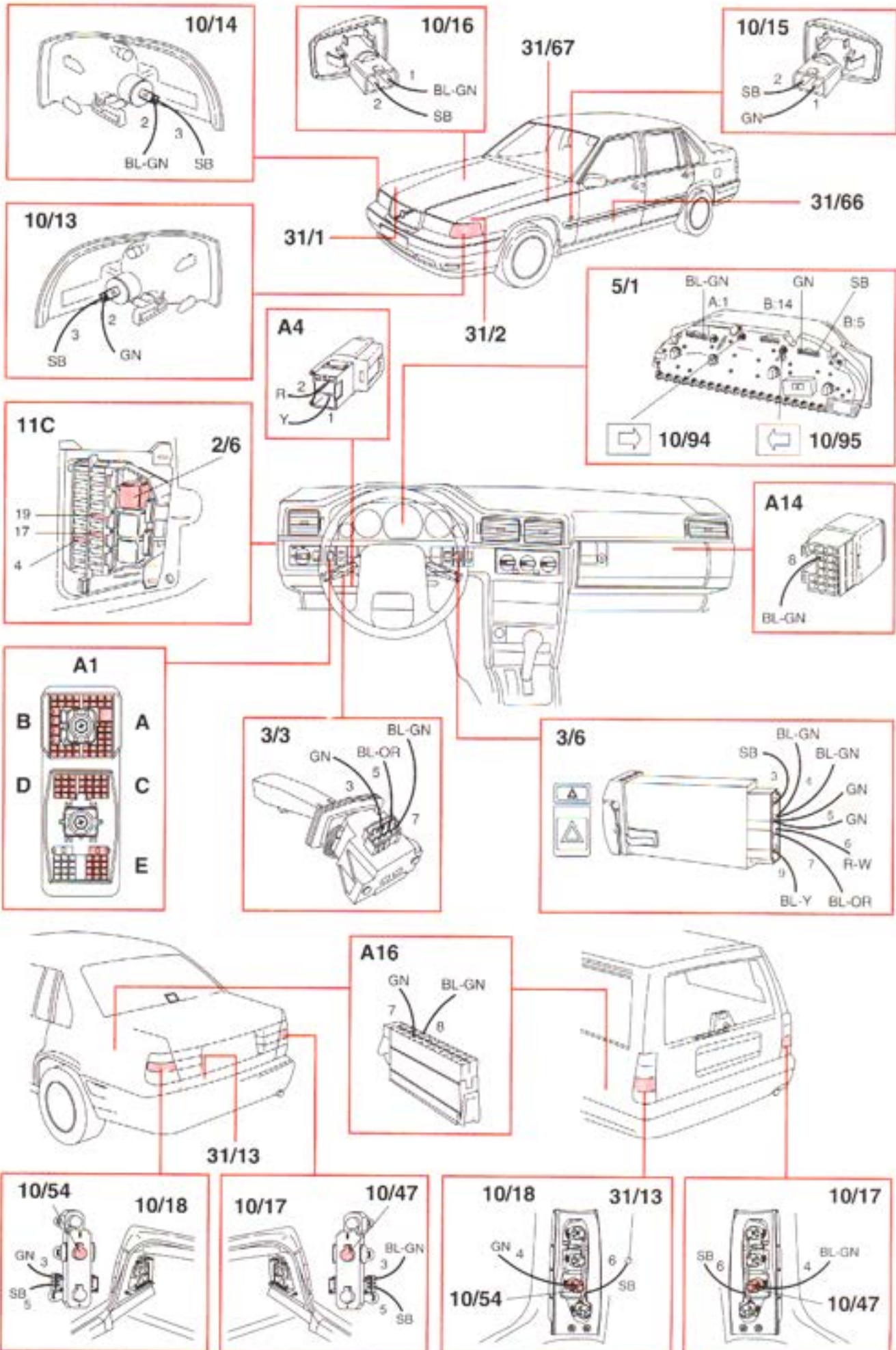


# Turn signal lamp and hazard warning signal flasher Left-hand drive cars

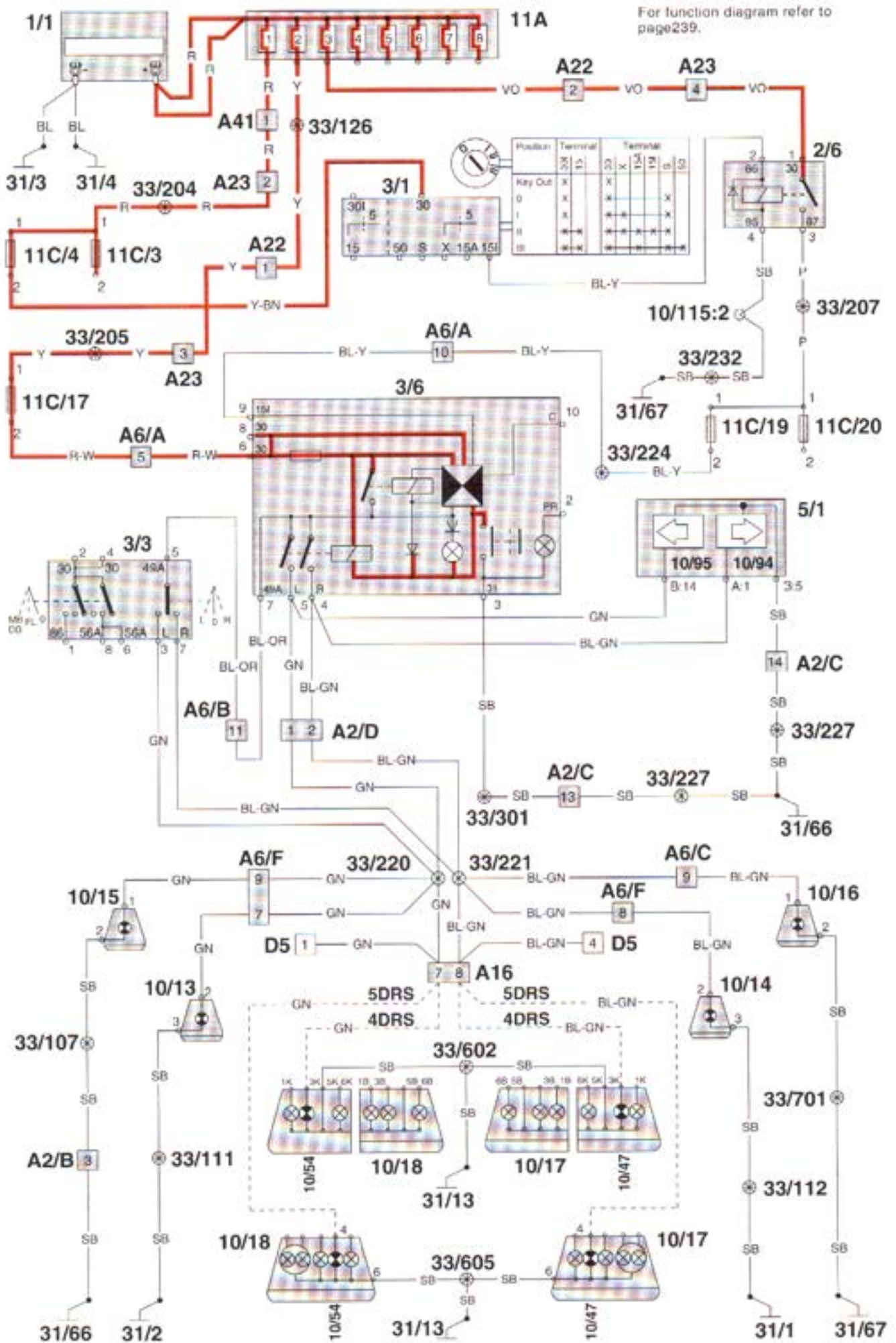
For function diagram refer to page 239.



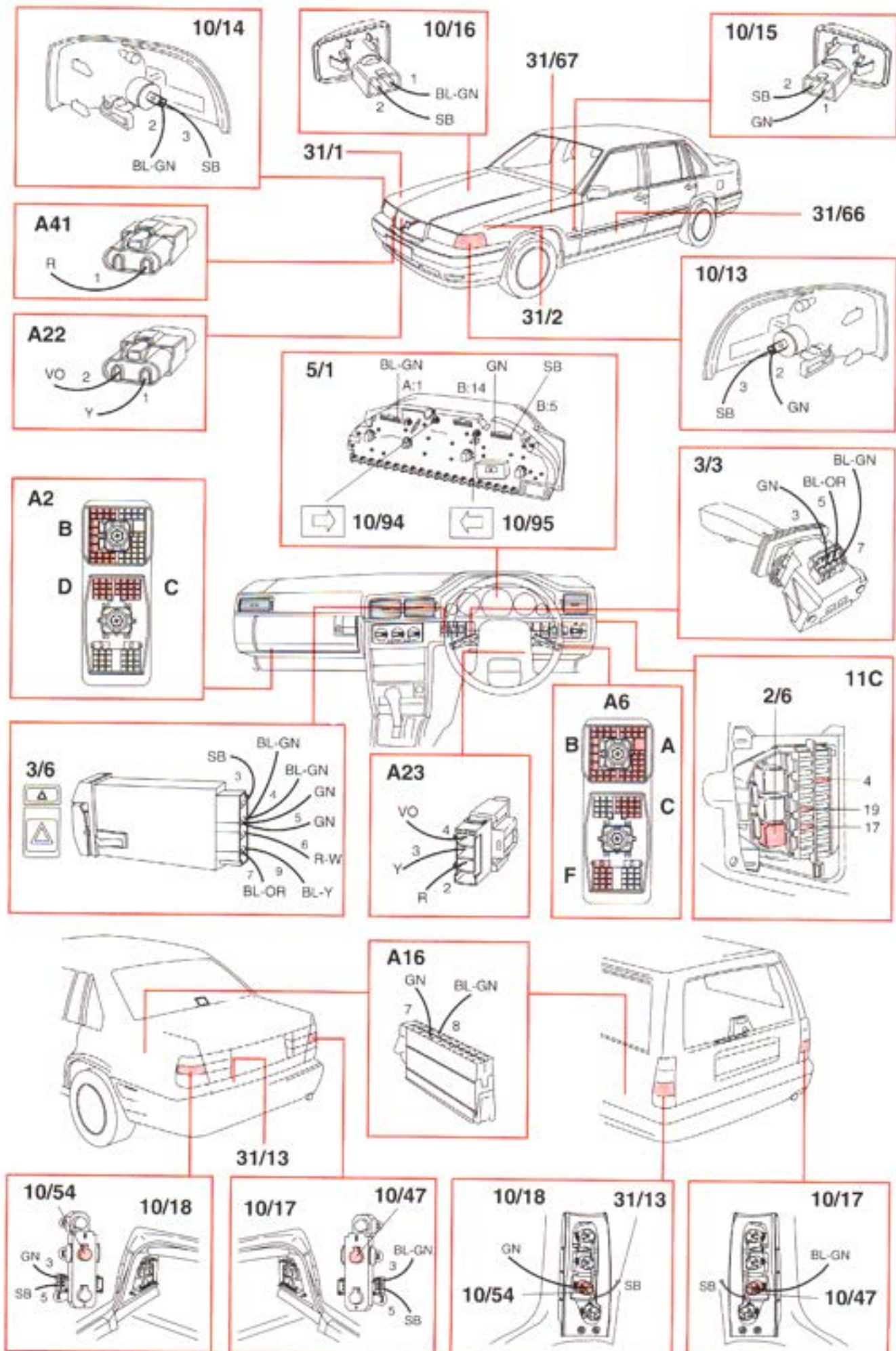
# Turn signal lamp and hazard warning signal flasher Left-hand drive cars



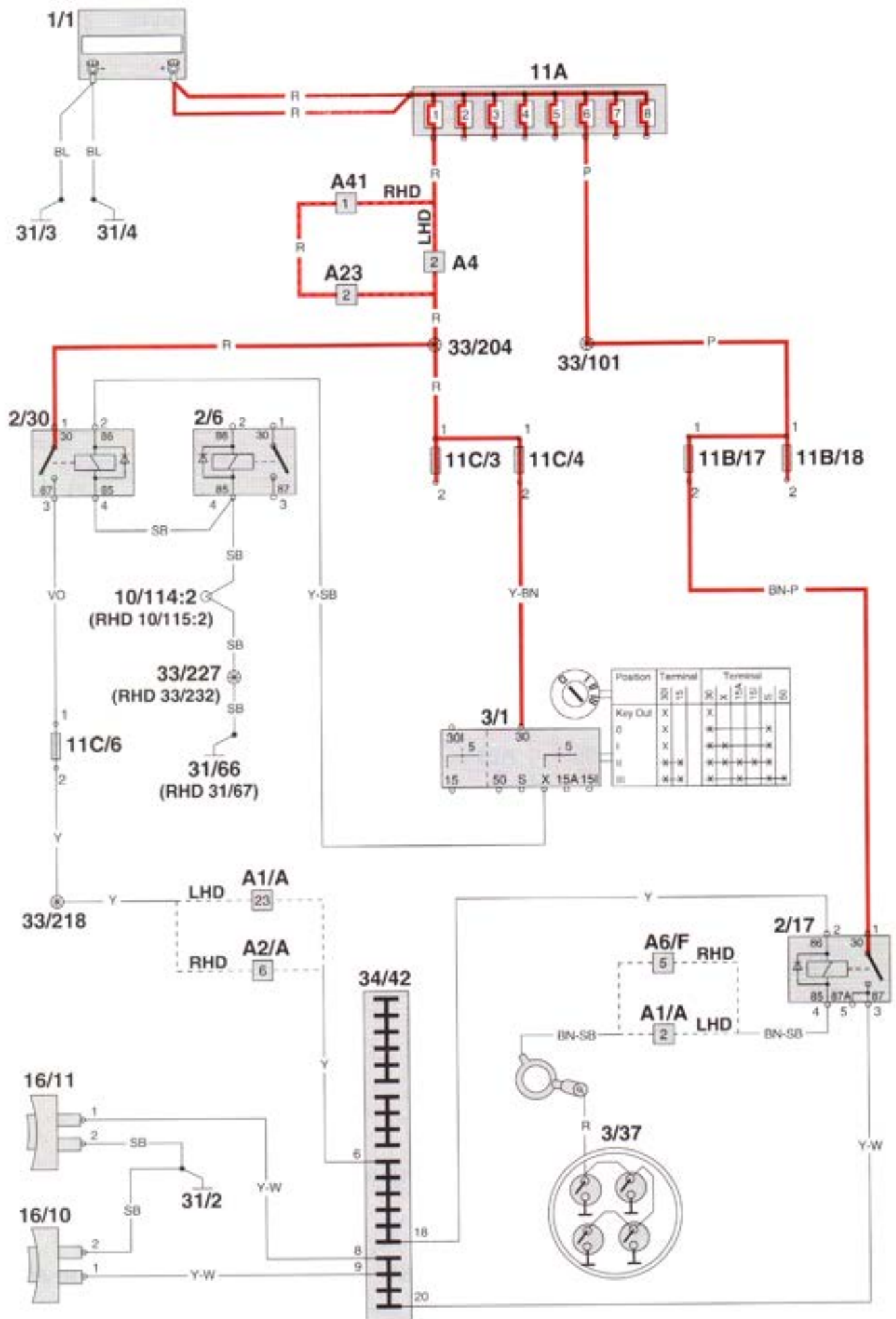
# Turn signal lamp and hazard warning signal flasher Right-hand drive cars

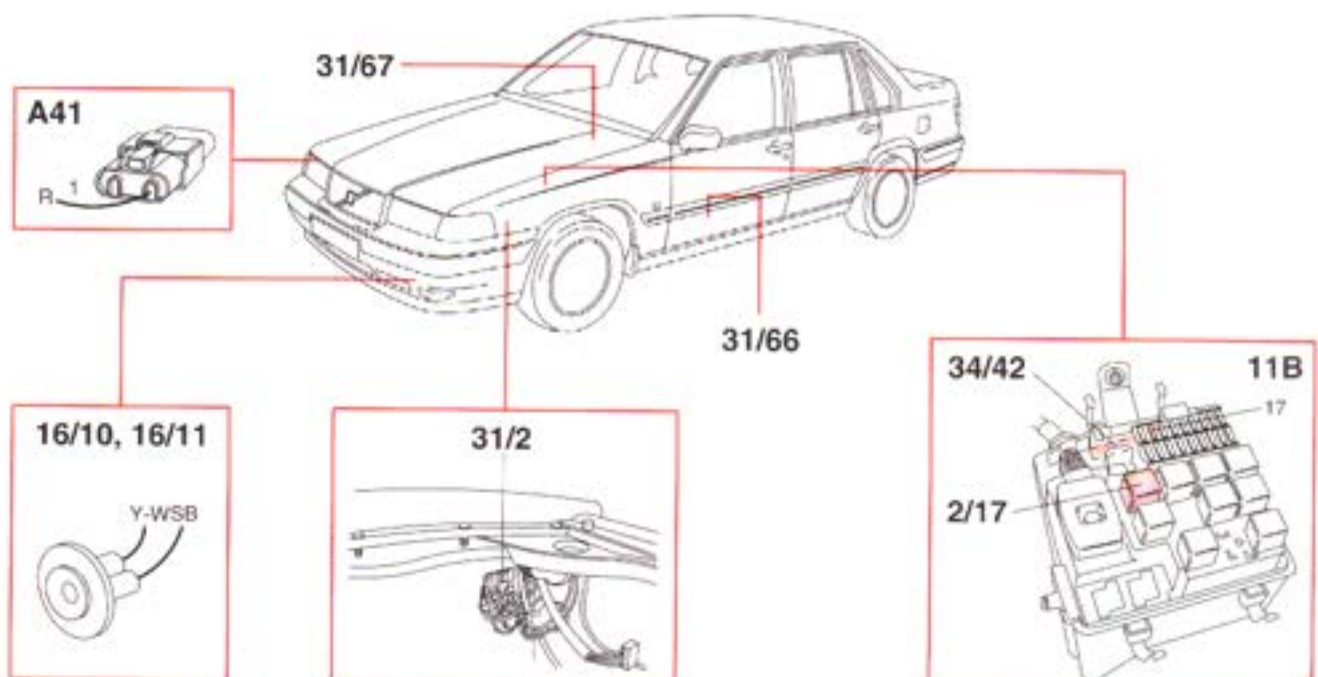
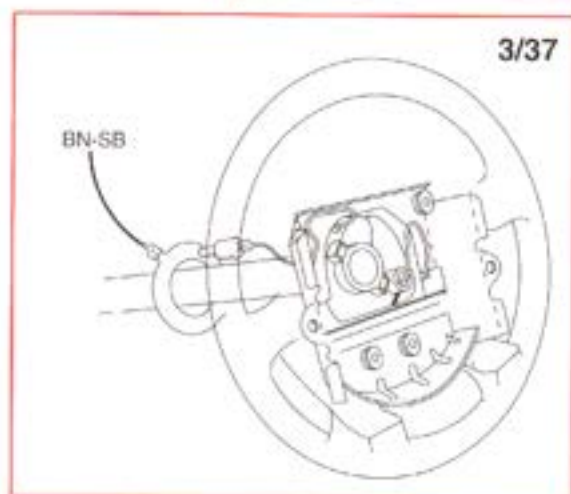
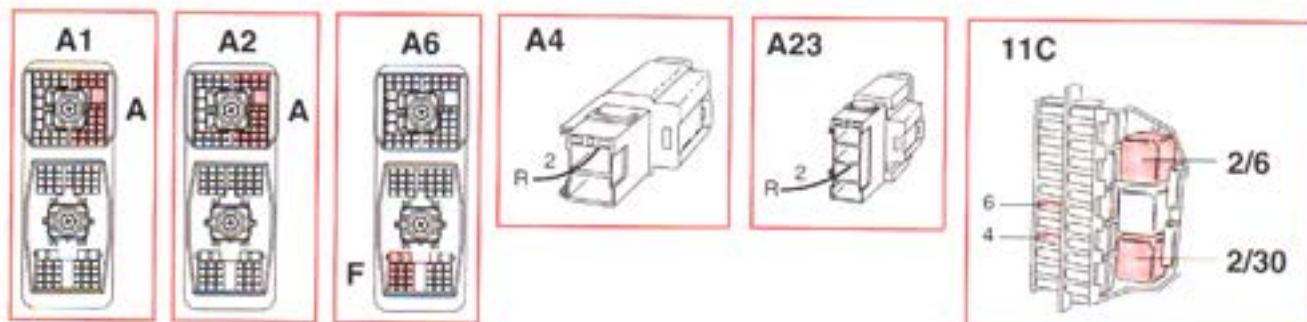
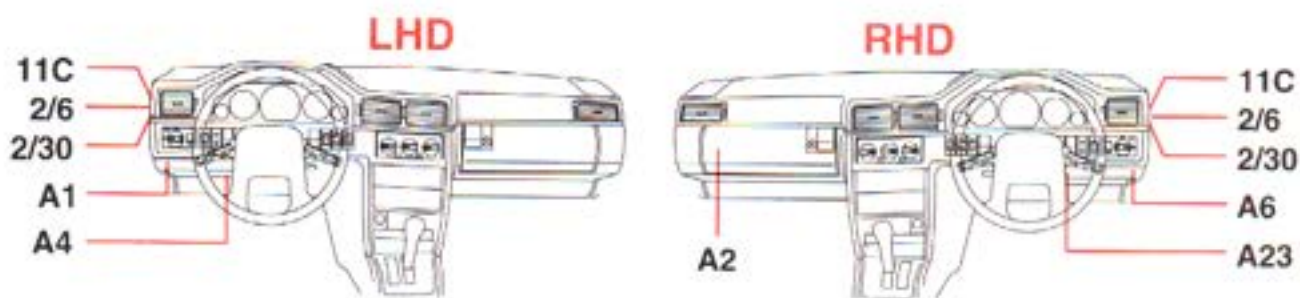


# Turn signal lamp and hazard warning signal flasher Right-hand drive cars



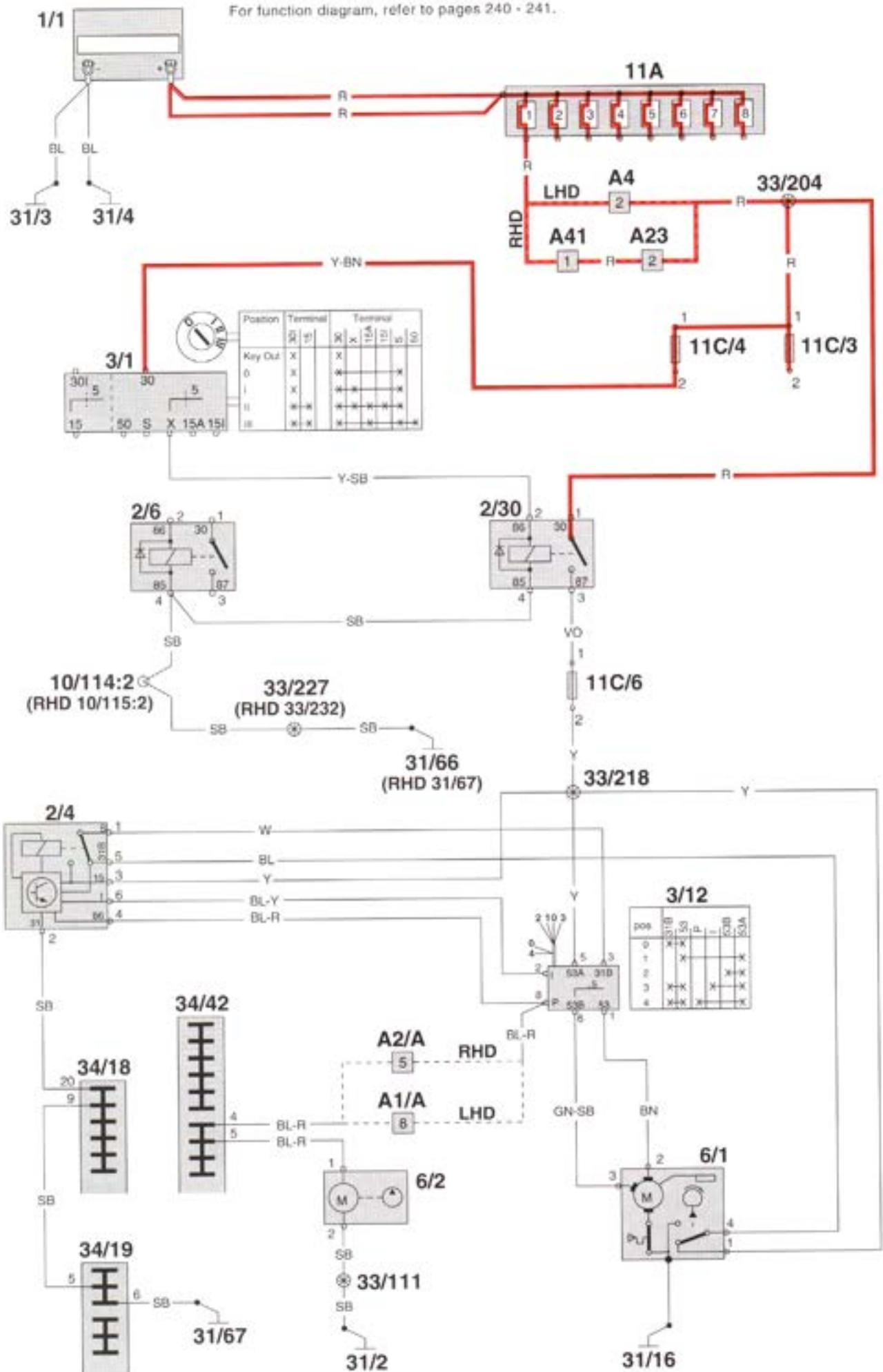
# Horn



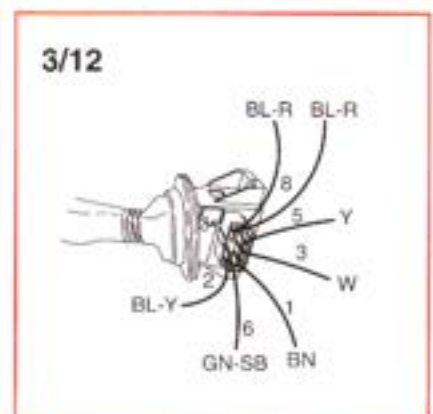
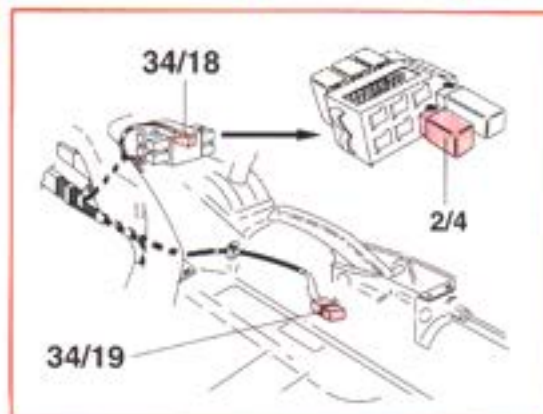
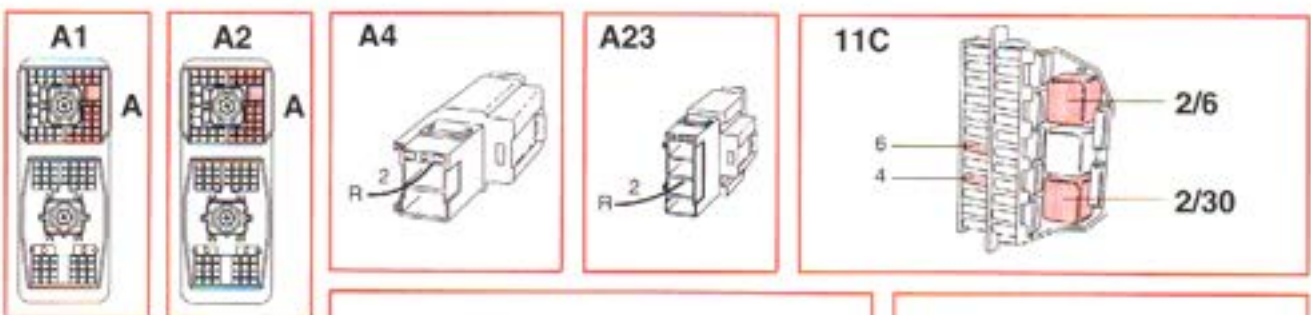
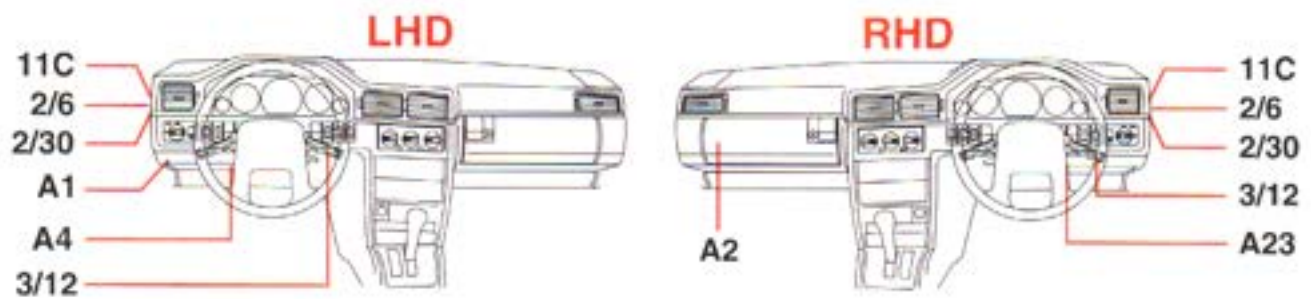
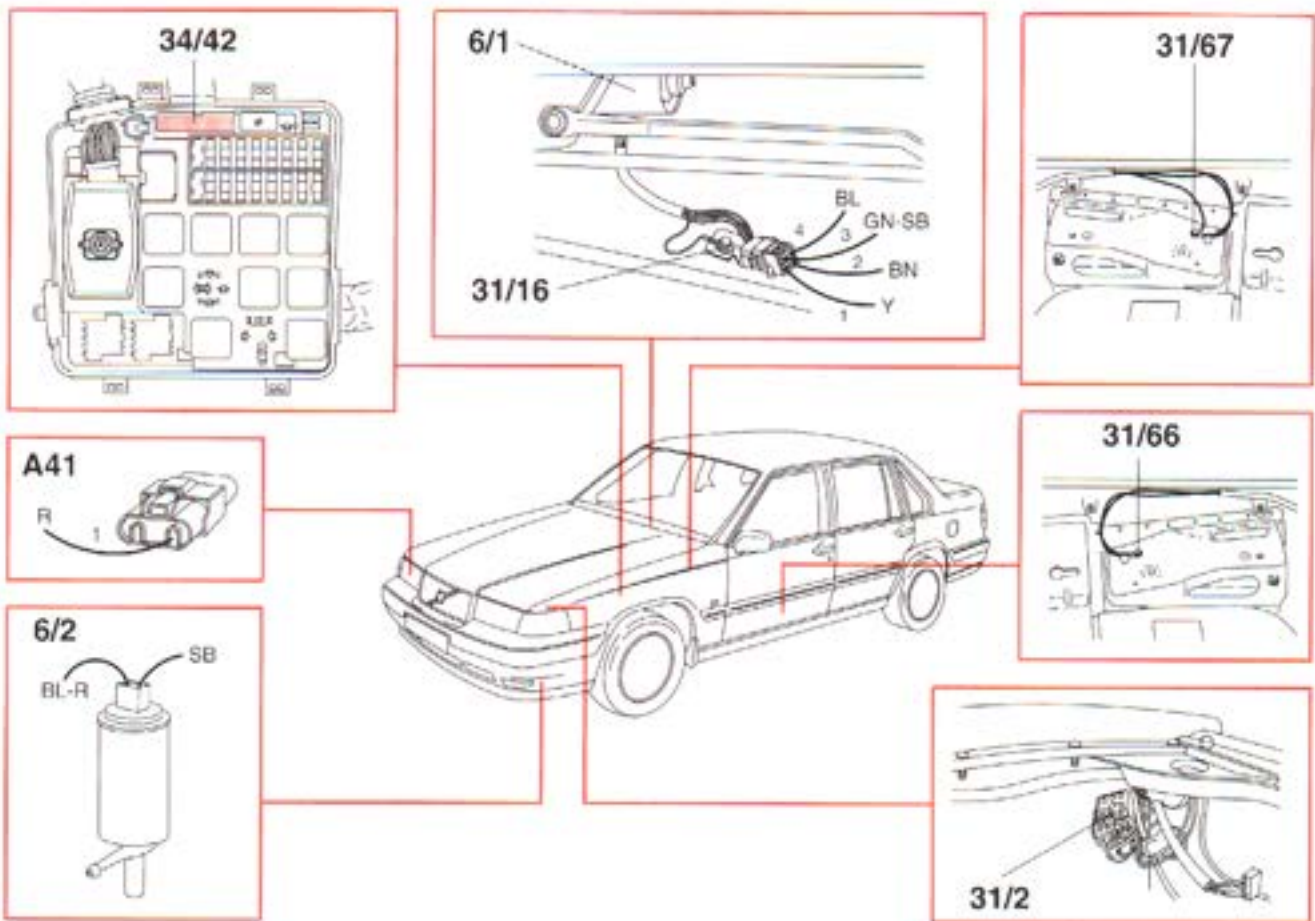


# Windshield wash/wipe windshield

For function diagram, refer to pages 240 - 241.

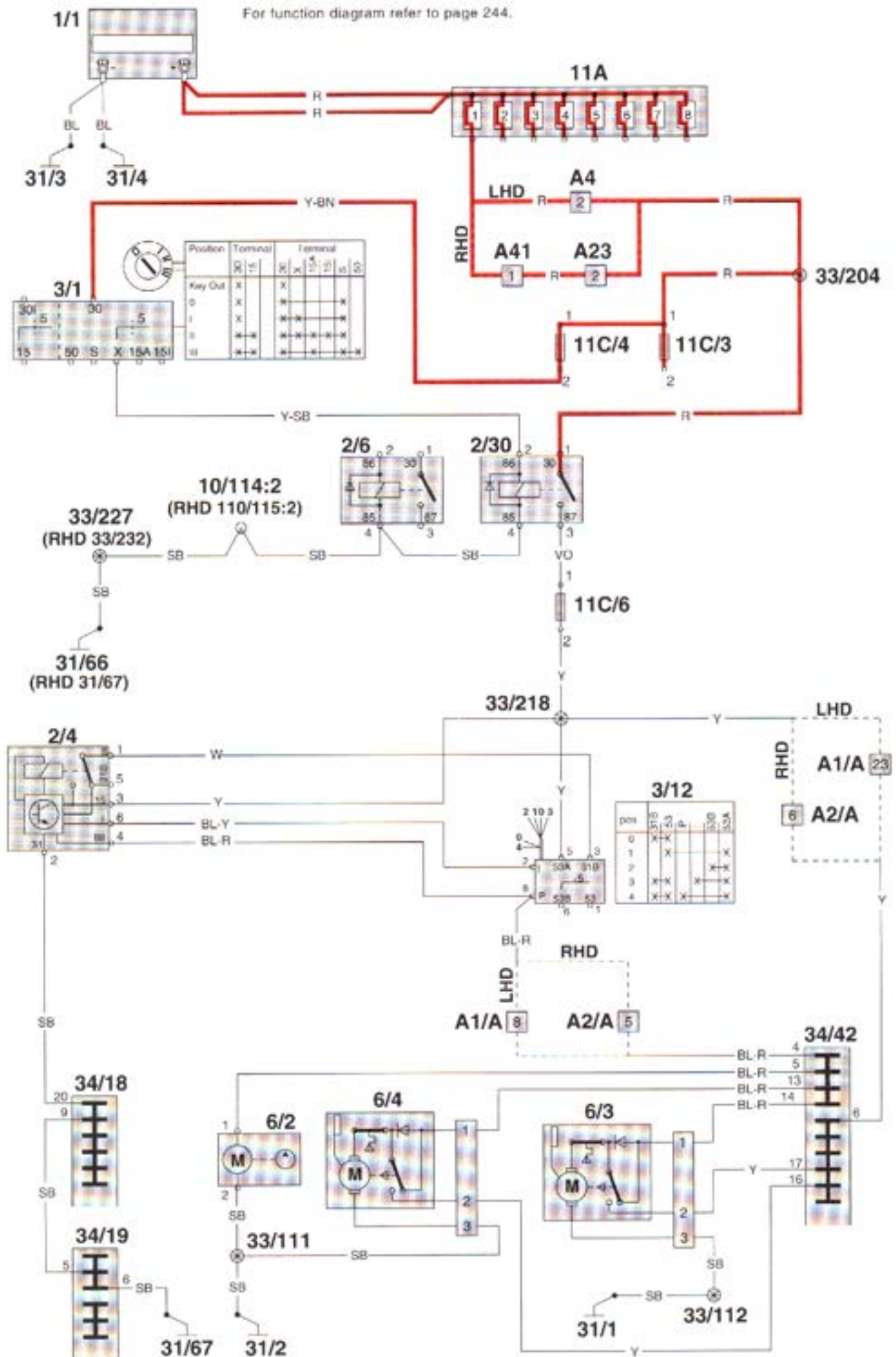


# Windshield wash/wipe windshield

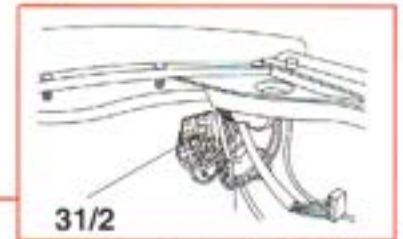
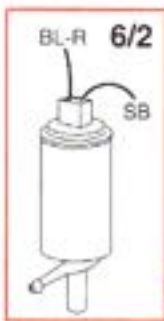
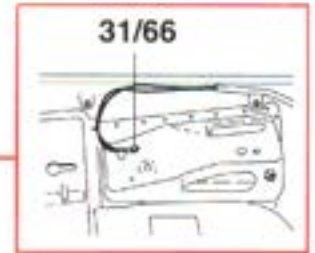
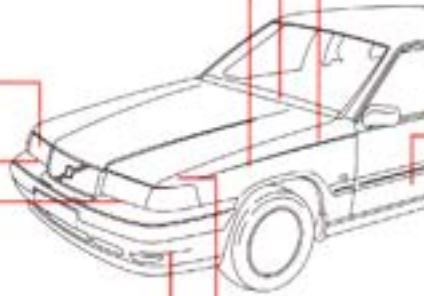
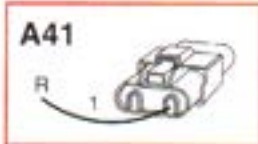
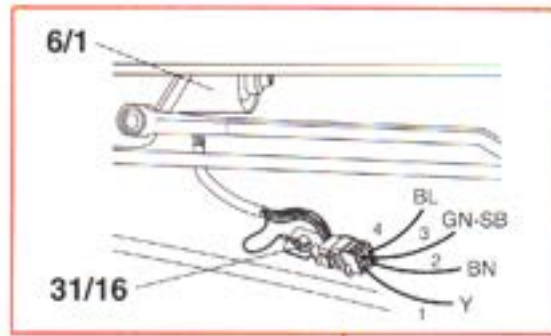


# Windshield wash/wipe headlamps

For function diagram refer to page 244.

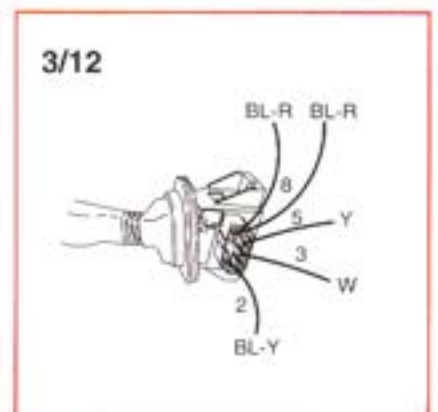
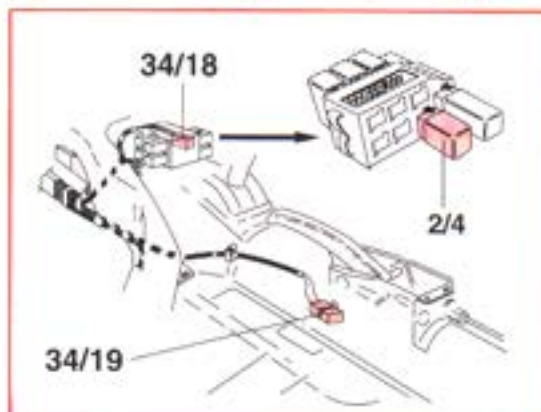
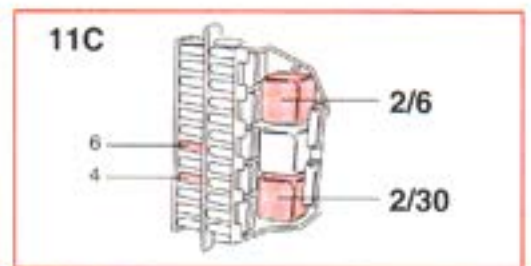
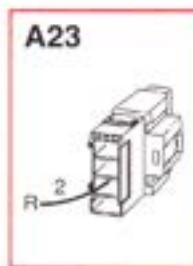
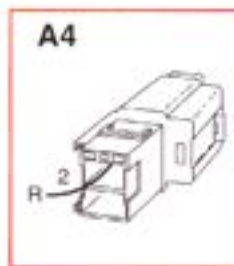
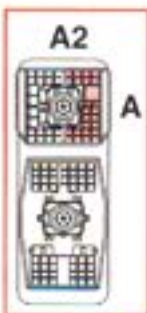
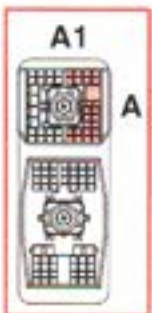
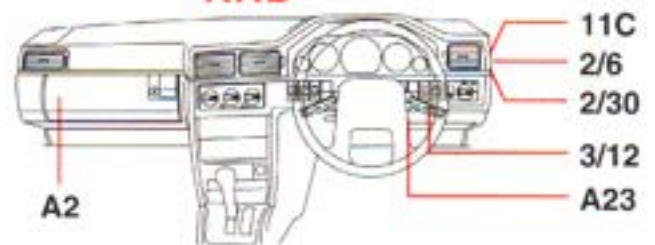
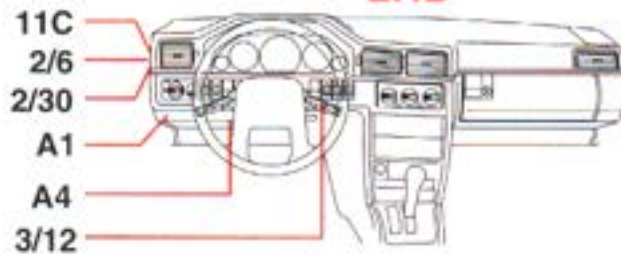


# Windshield wash/wipe headlamps



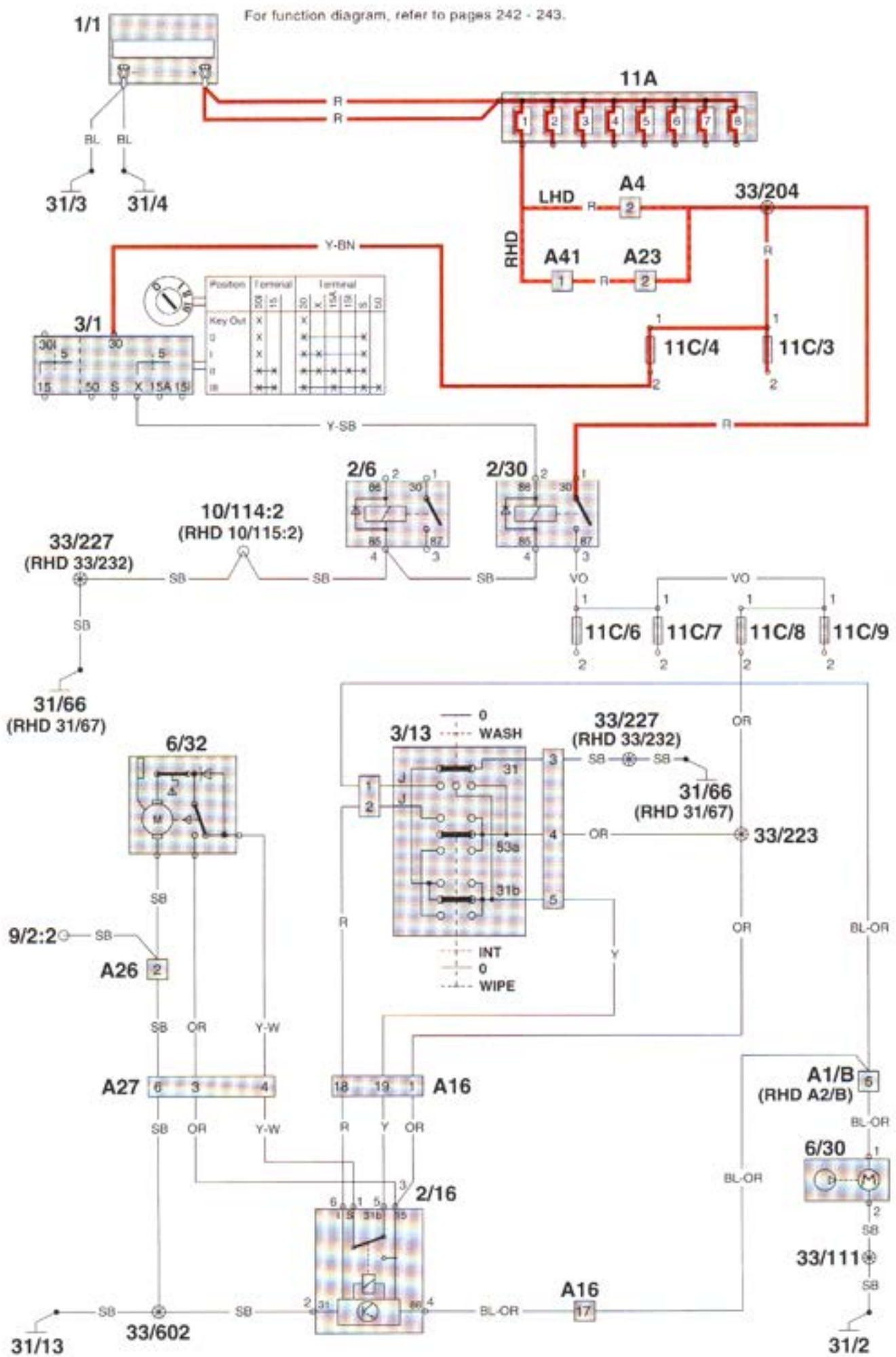
**LHD**

**RHD**

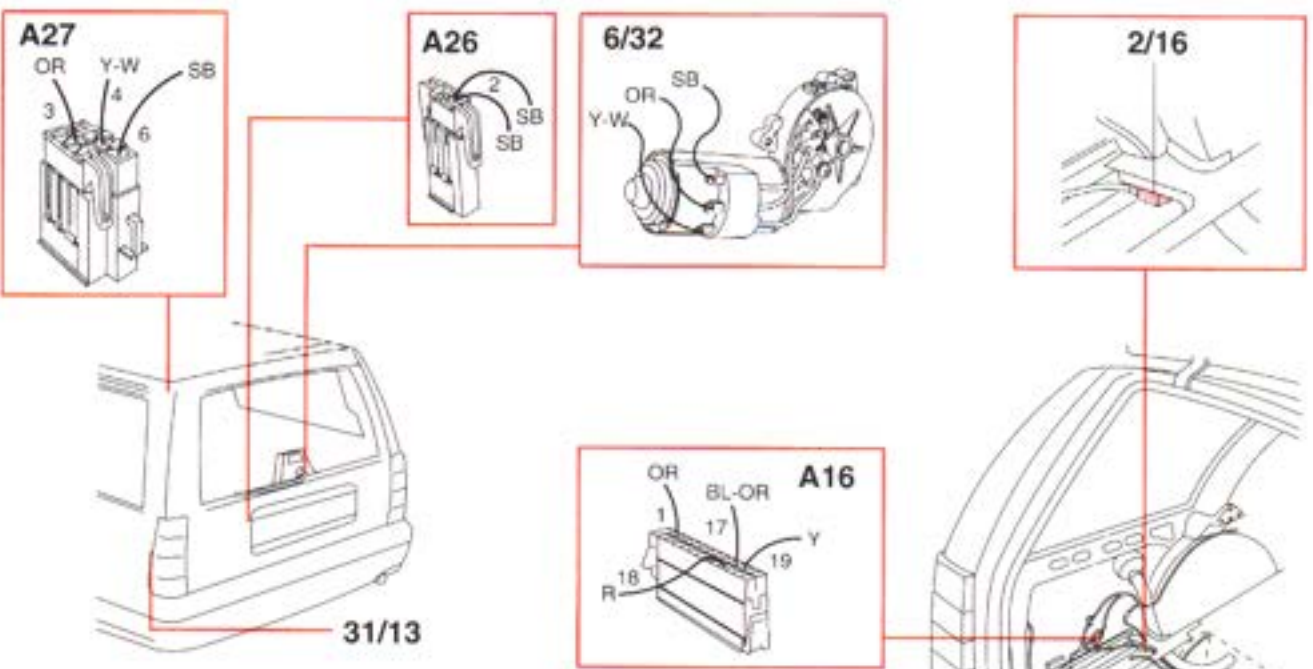
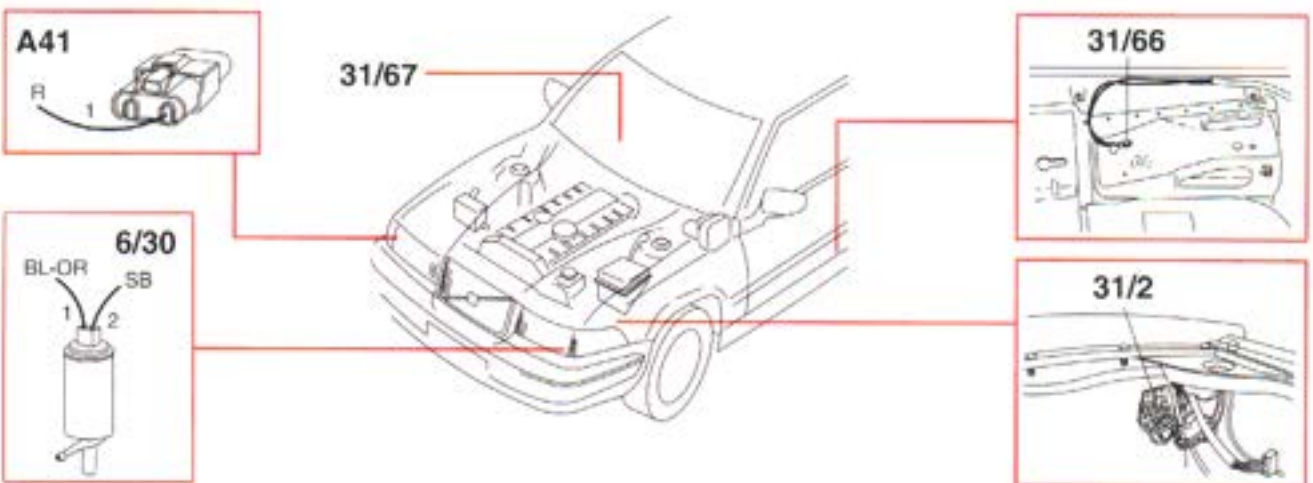
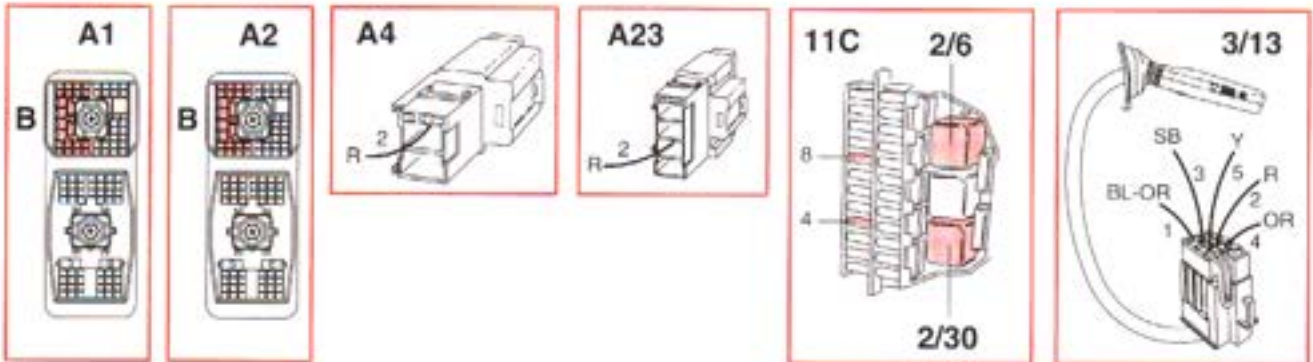
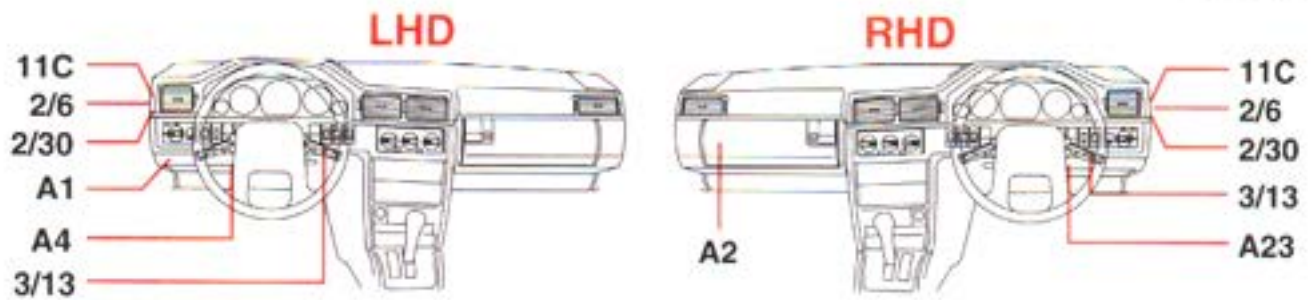


# Windshield wash/wipe rear windshield

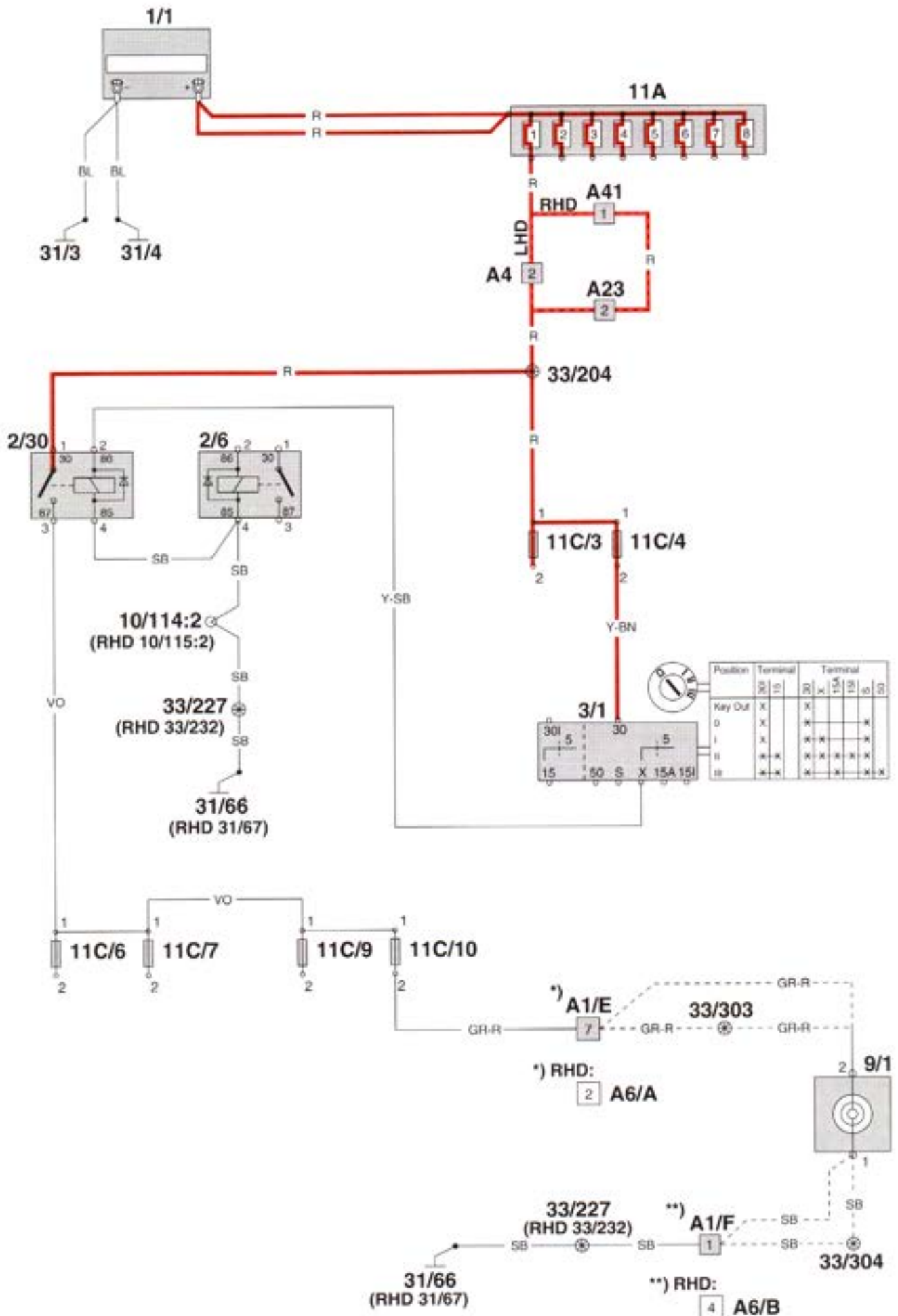
For function diagram, refer to pages 242 - 243.



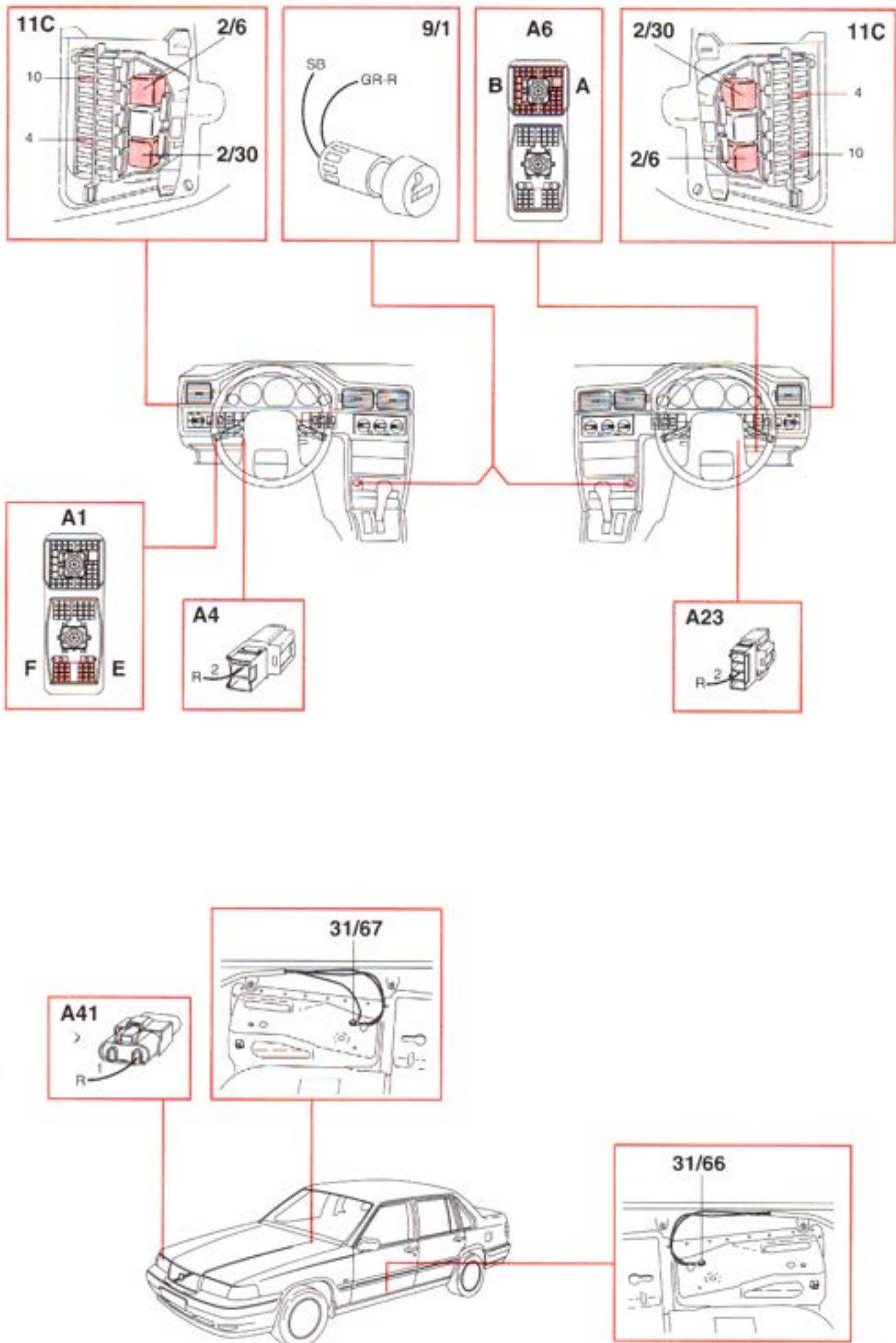
# Windshield wash/wipe rear windshield



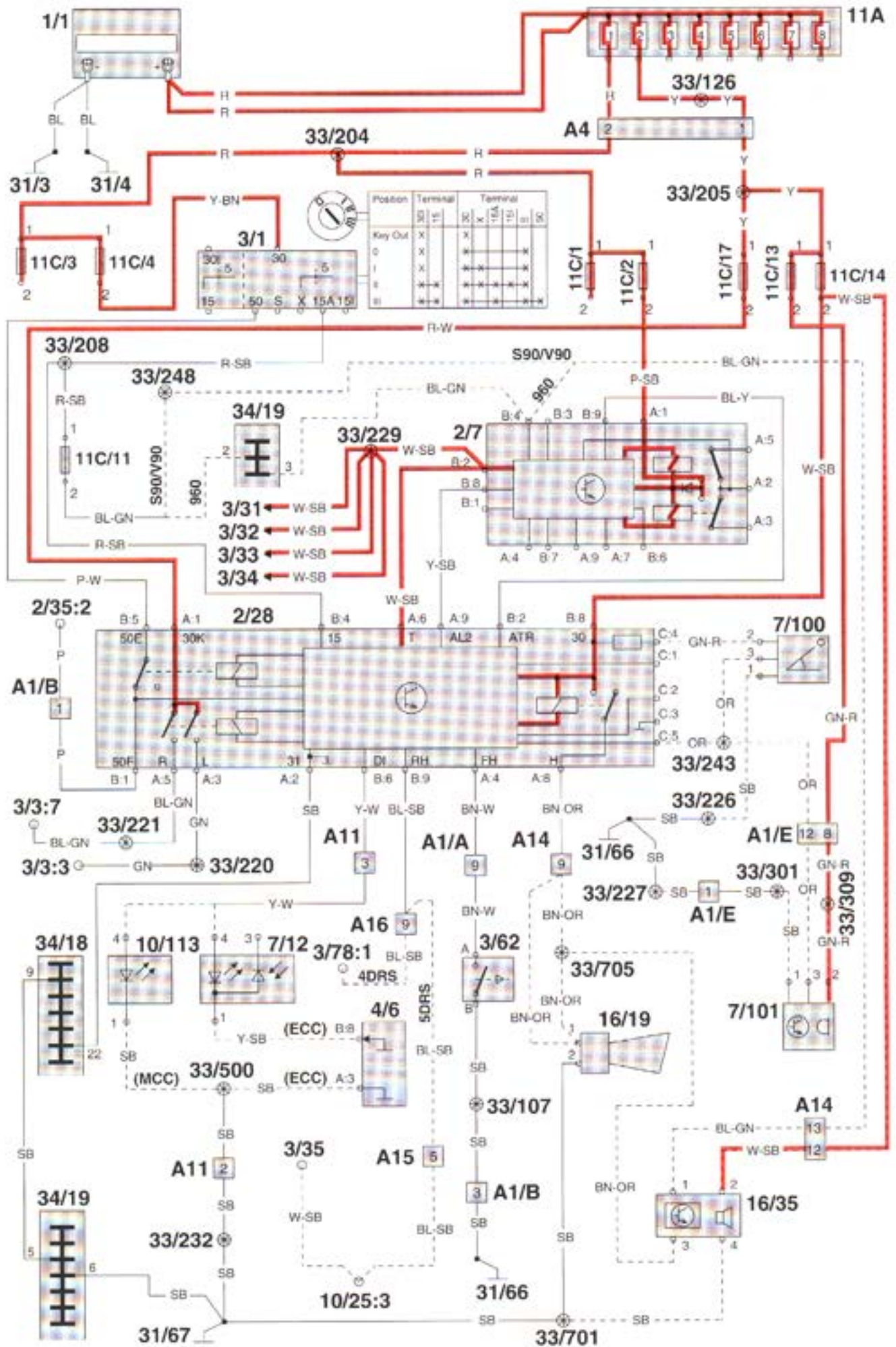
# Cigarette lighter



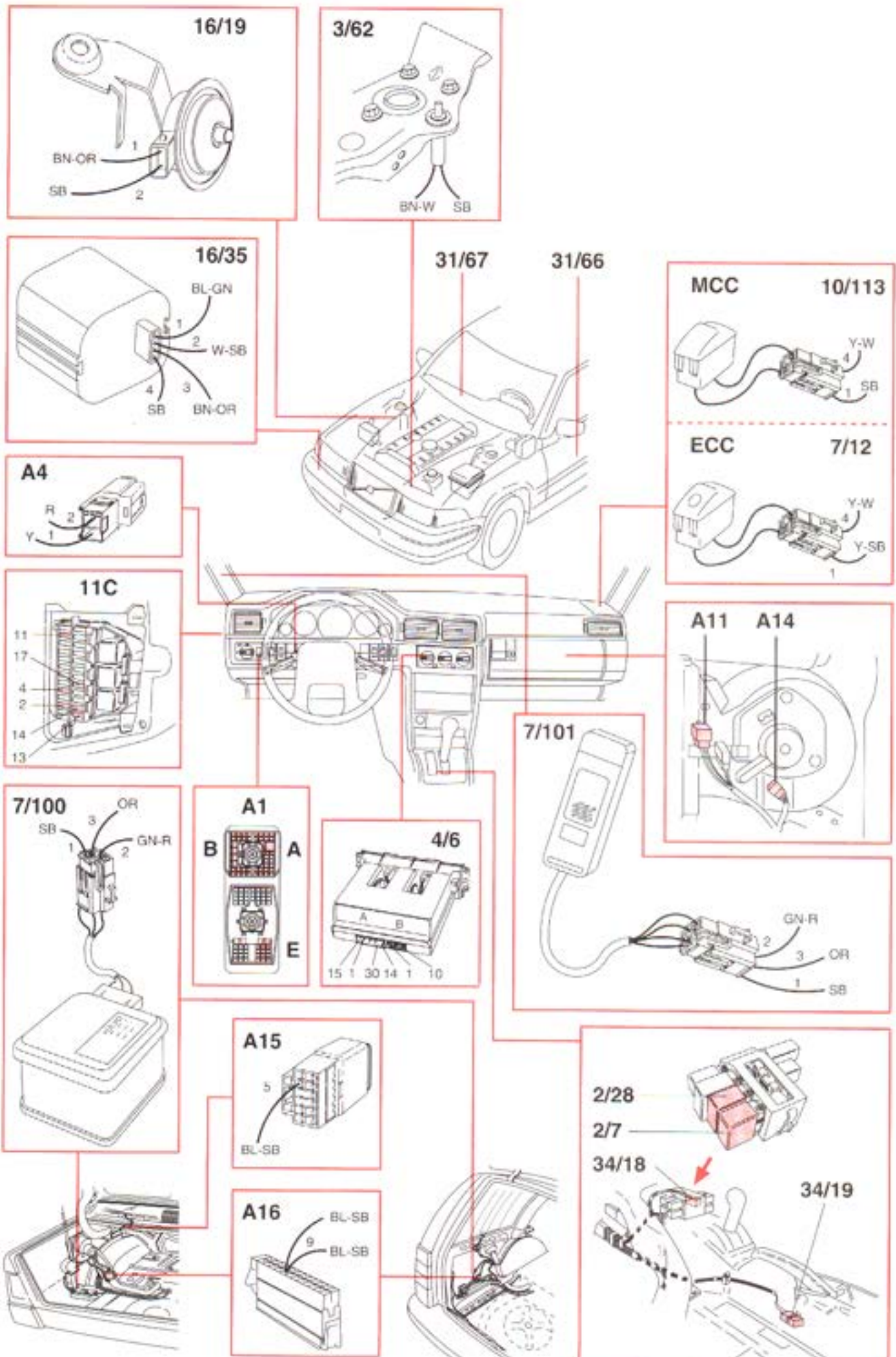
# Cigarette lighter



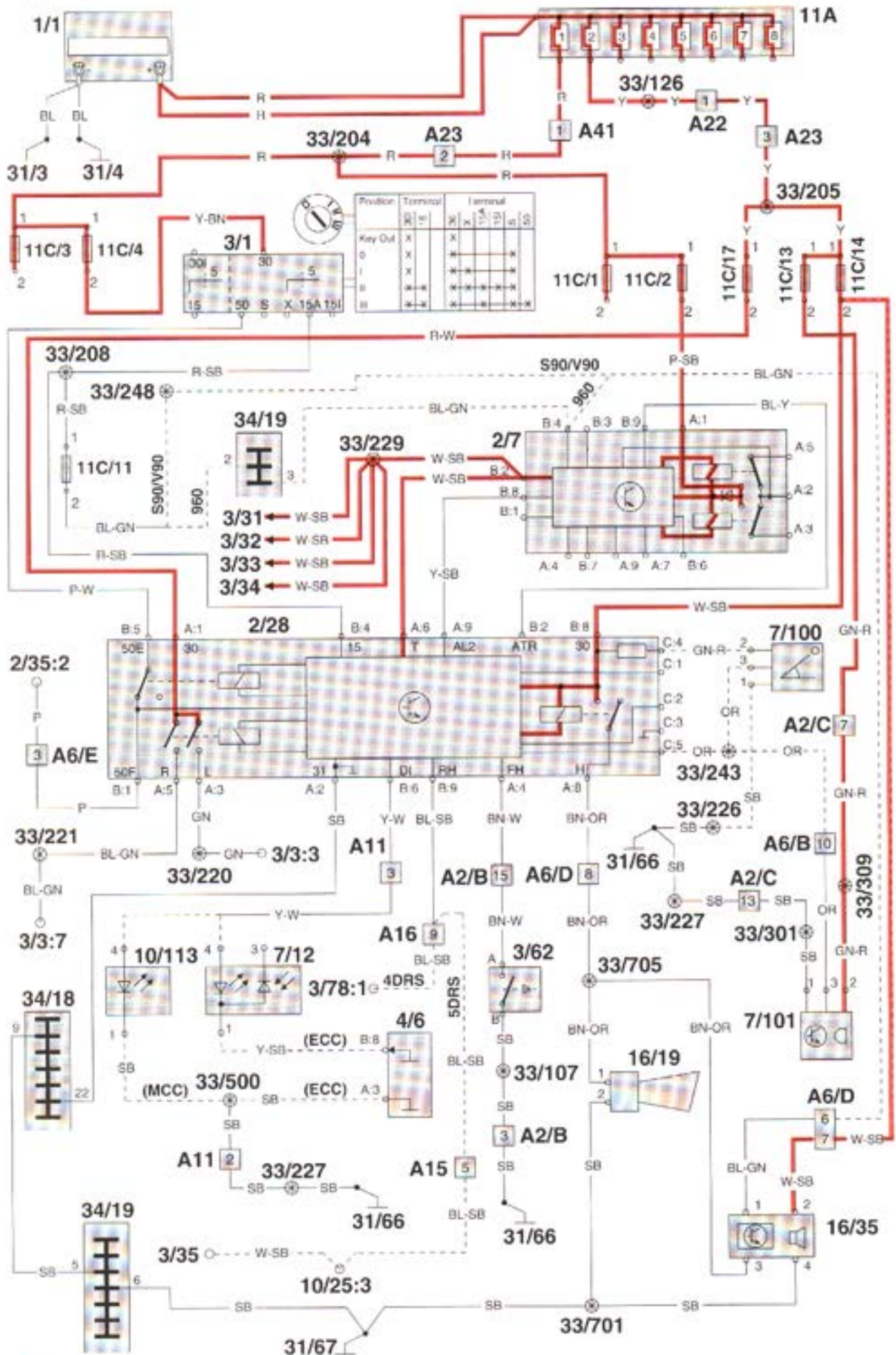
# Alarm Left-hand drive cars



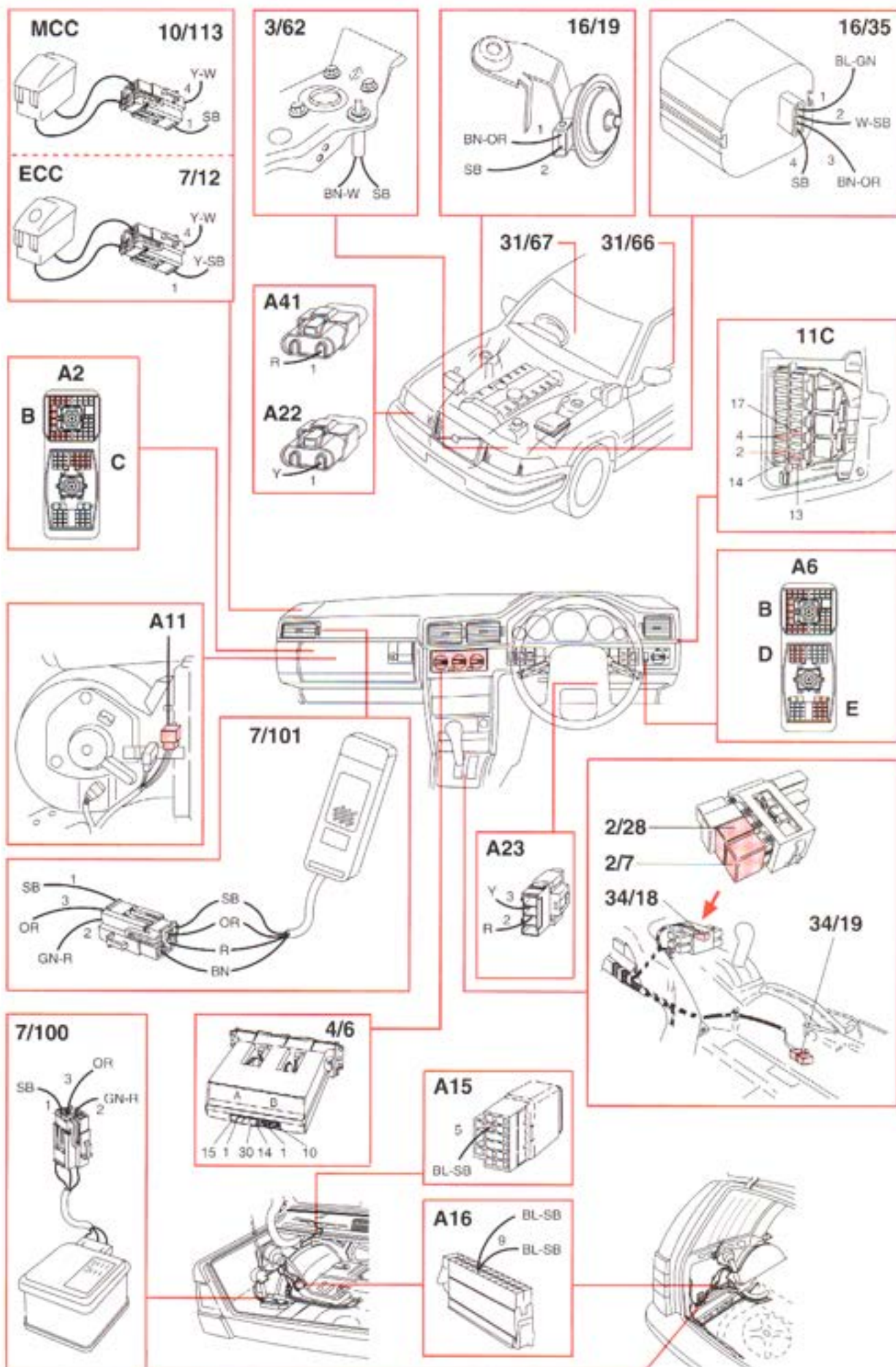
# Alarm Left-hand drive cars



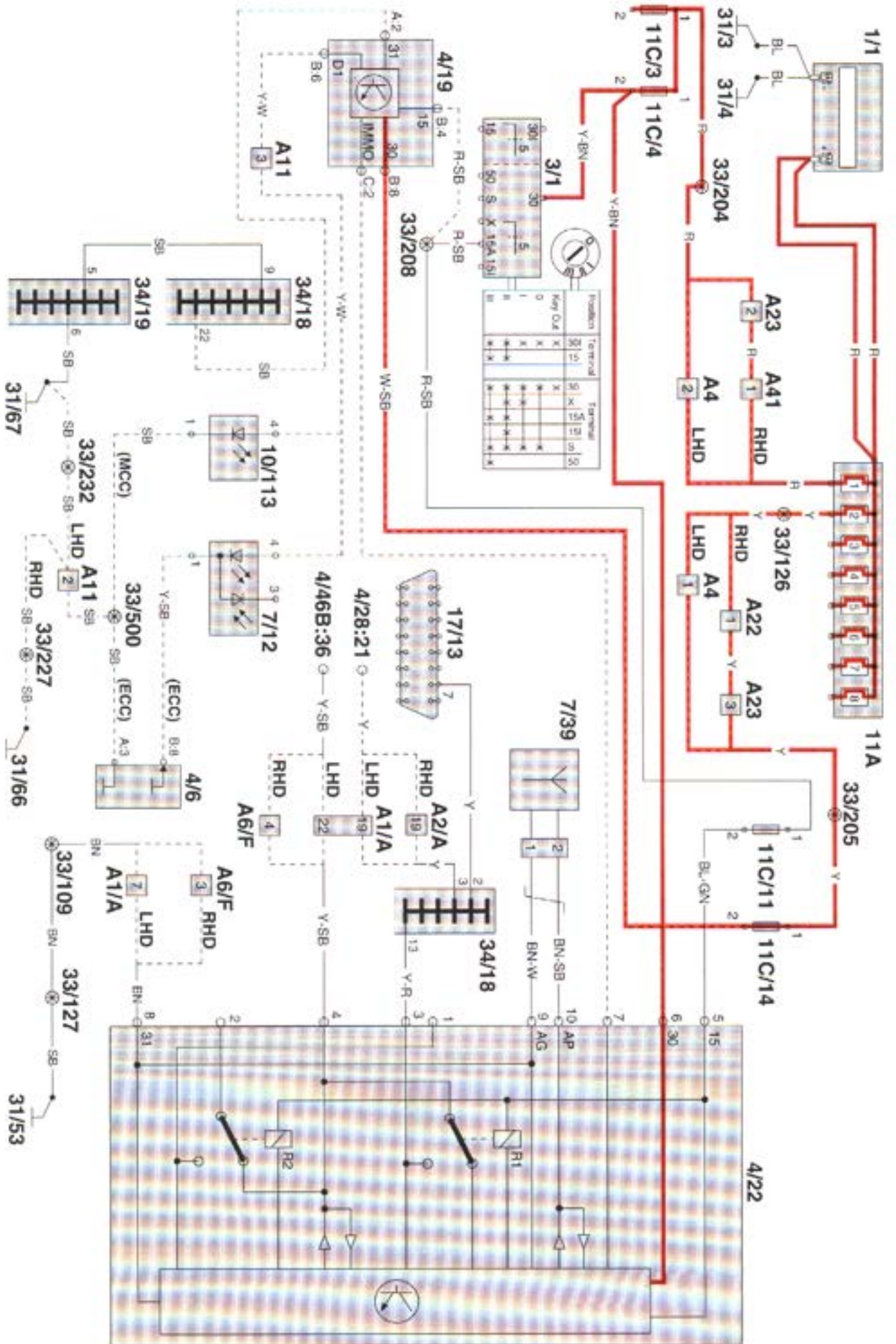
# Alarm Right-hand drive cars



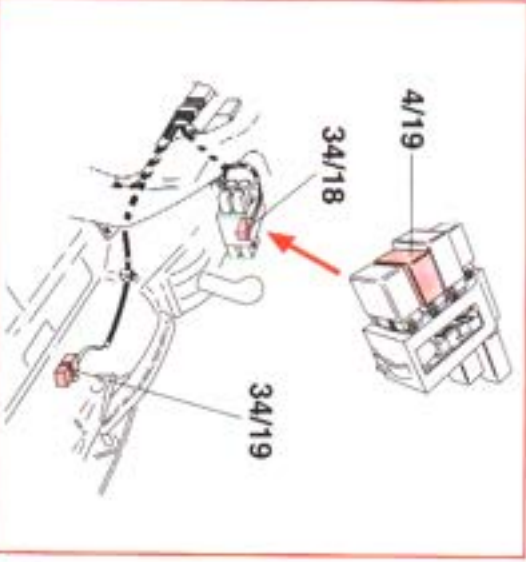
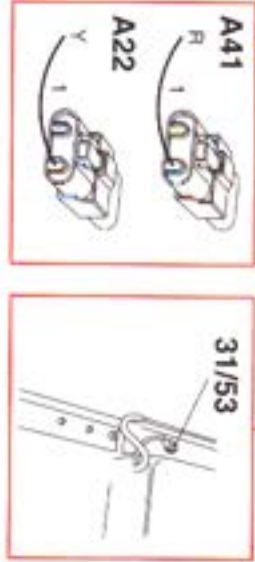
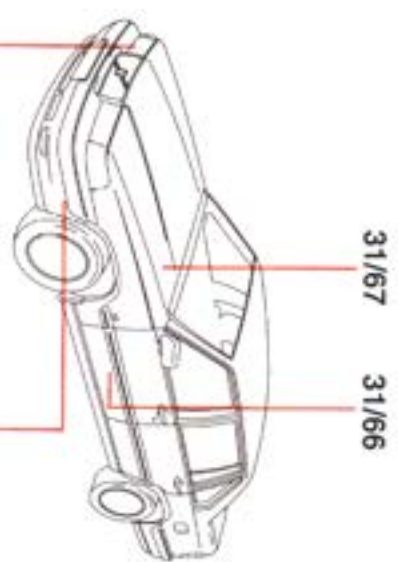
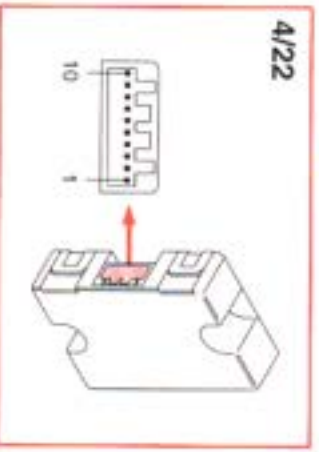
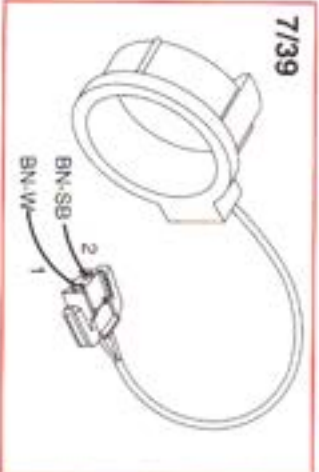
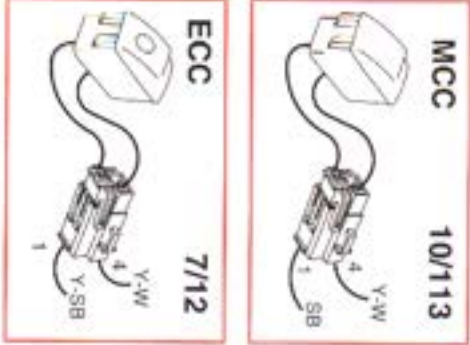
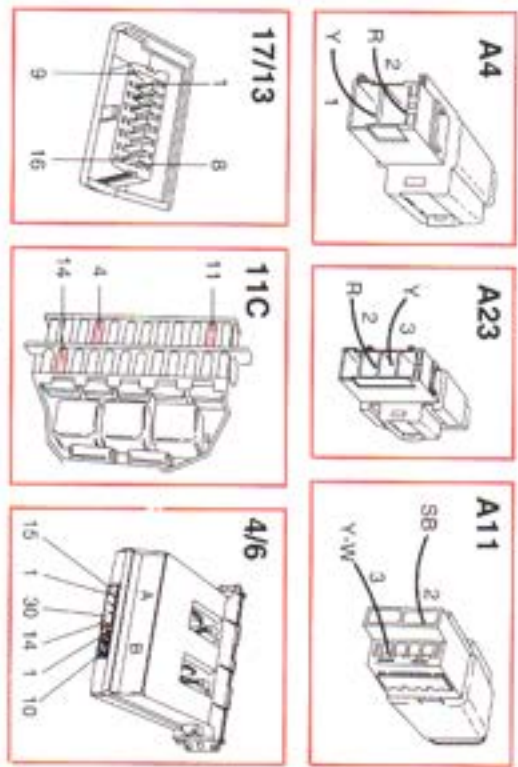
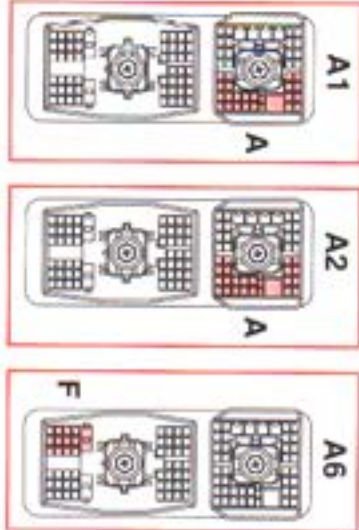
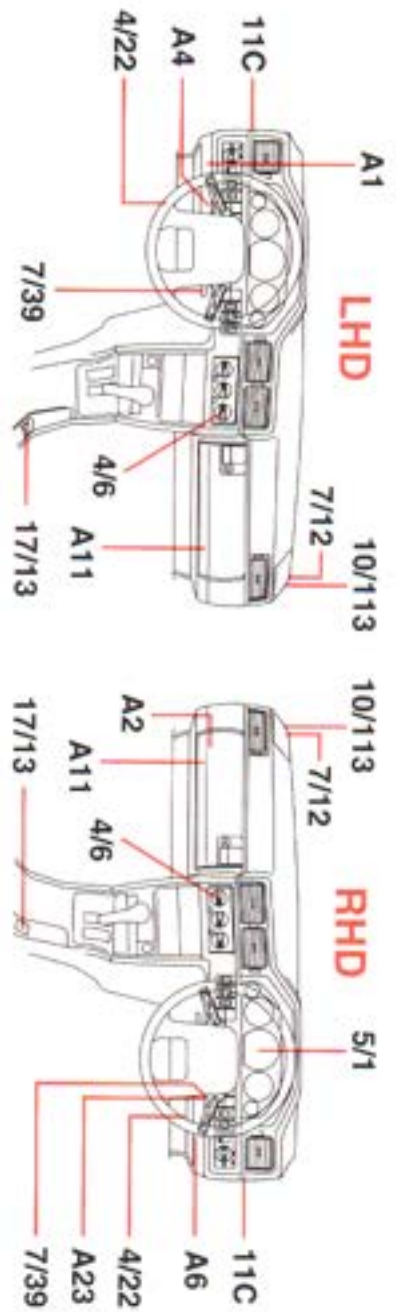
# Alarm Right-hand drive cars



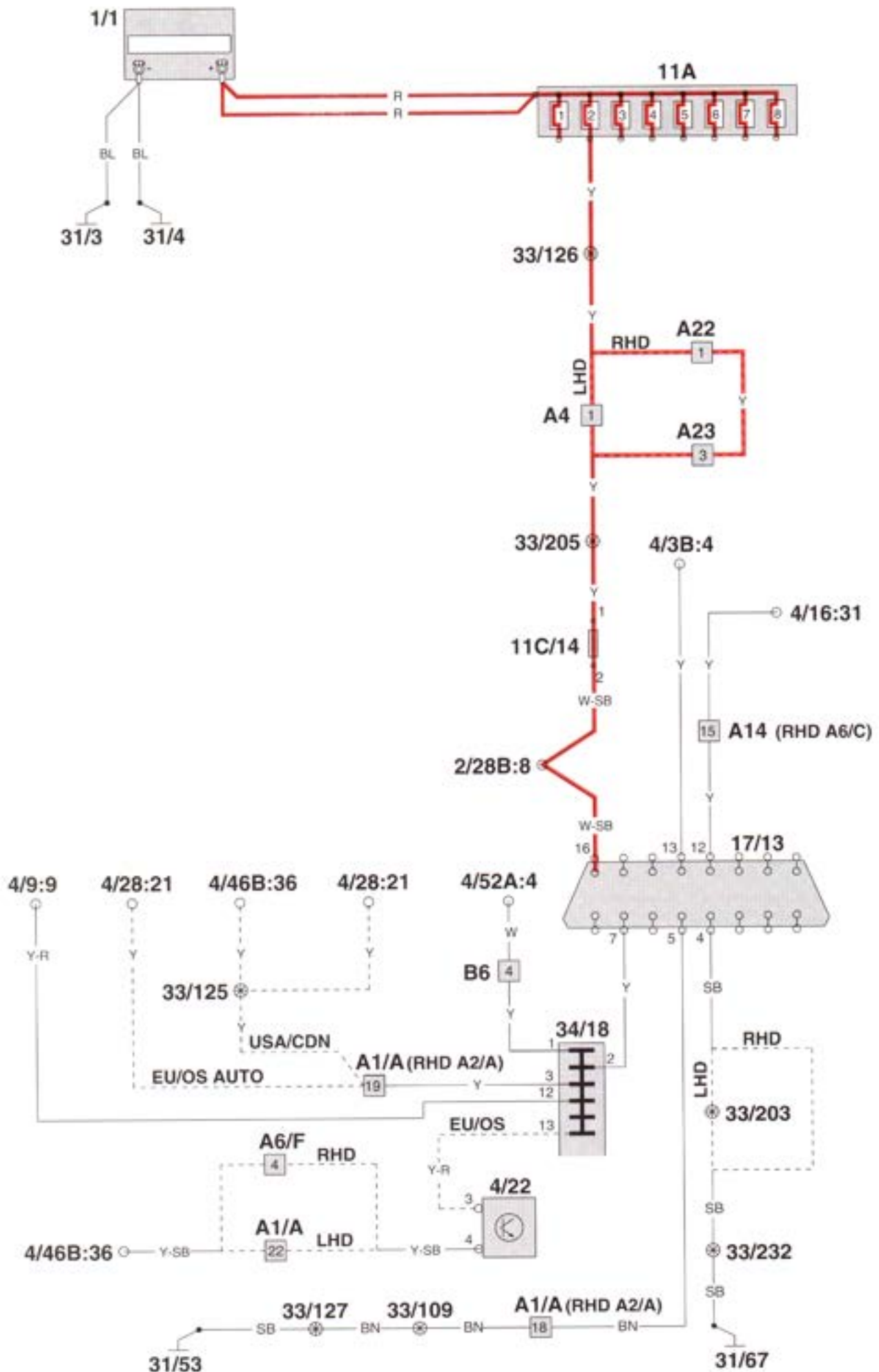
# Immobilizer



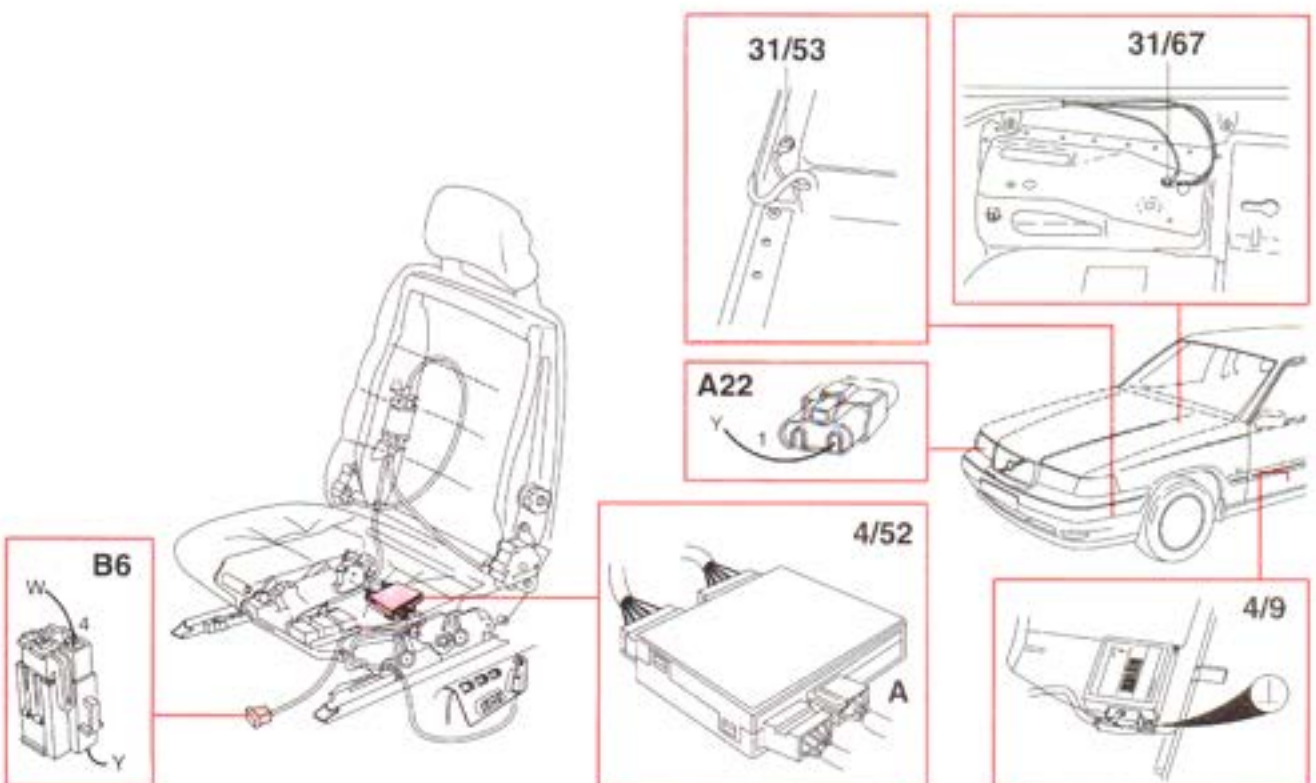
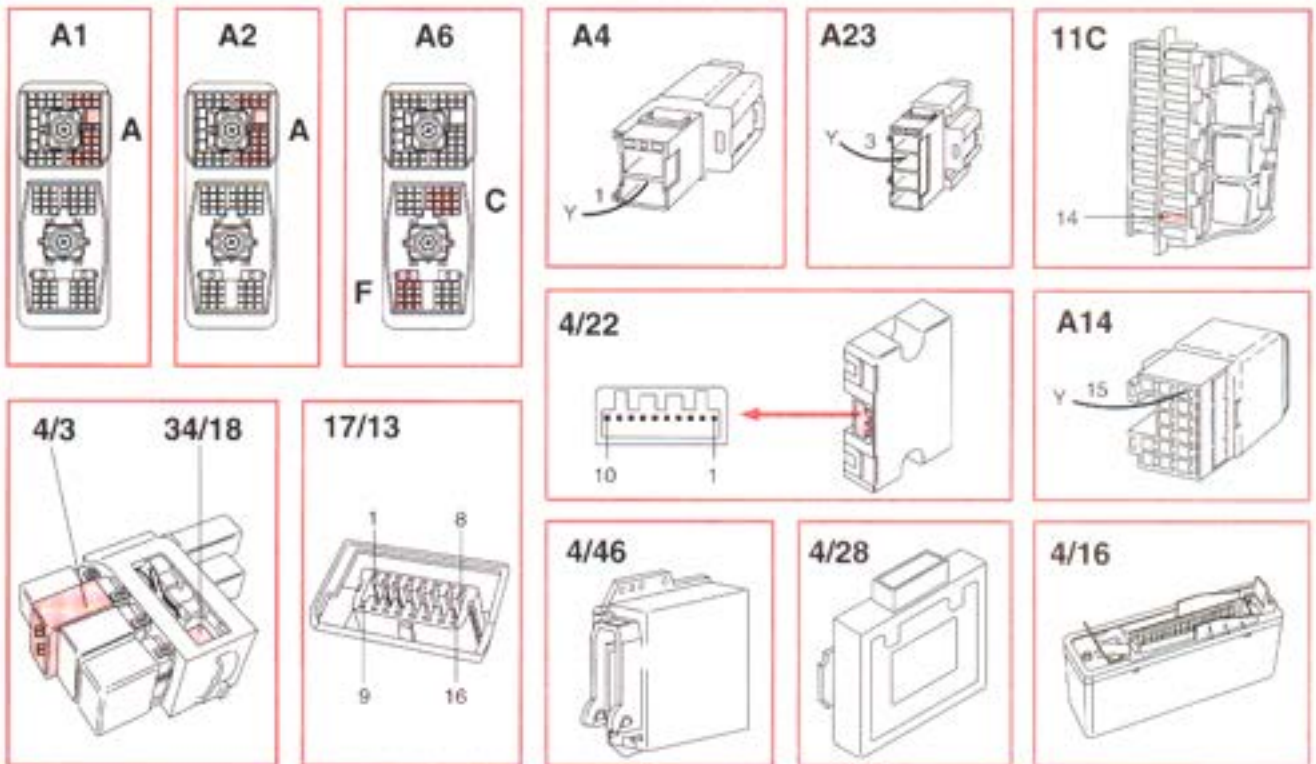
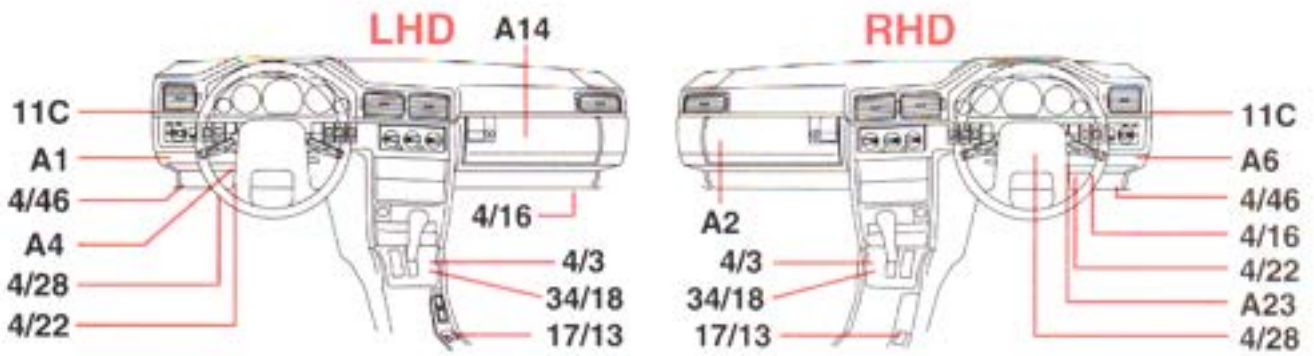
# Immobilizer



# On-board diagnostic system (OBD system)



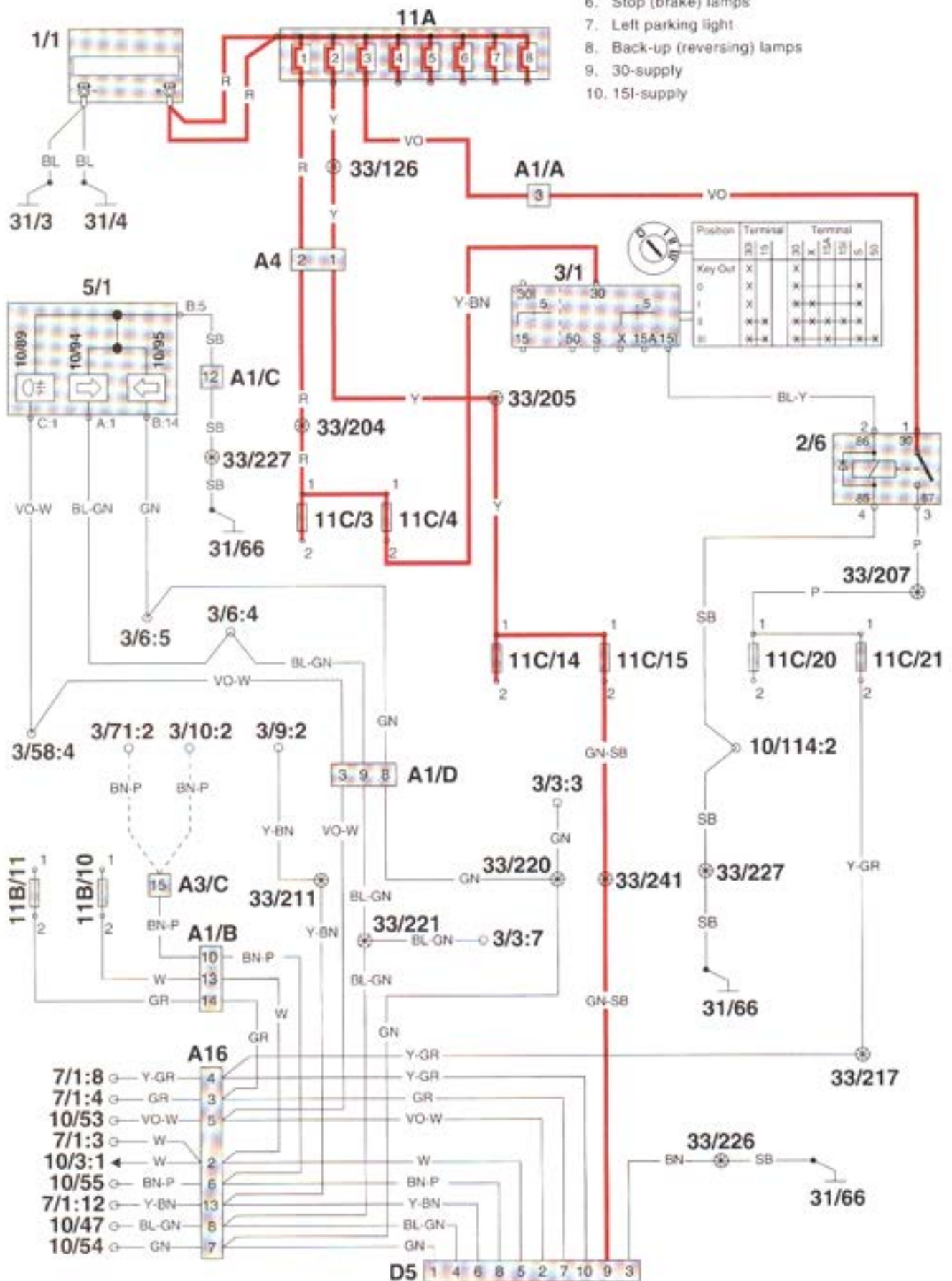
# On-board diagnostic system (OBD system)



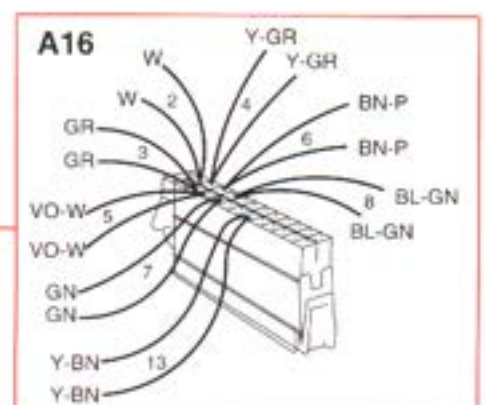
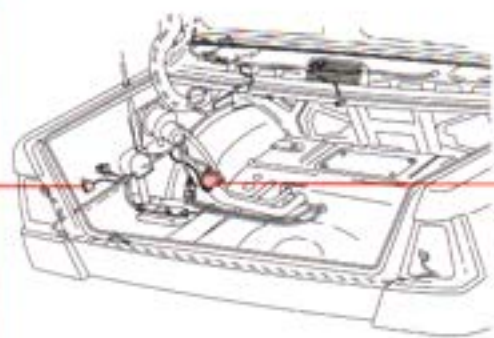
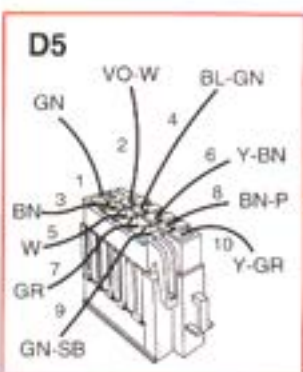
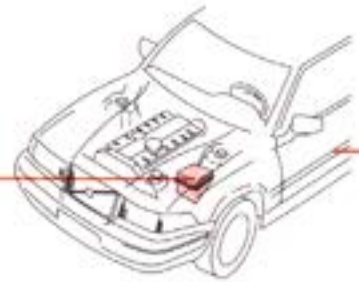
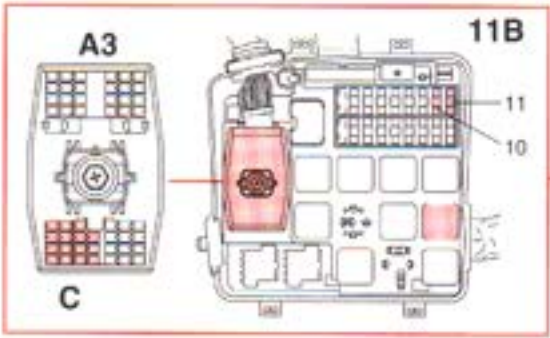
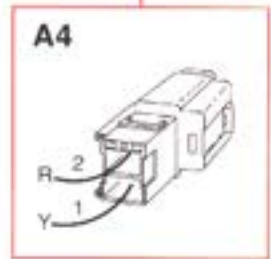
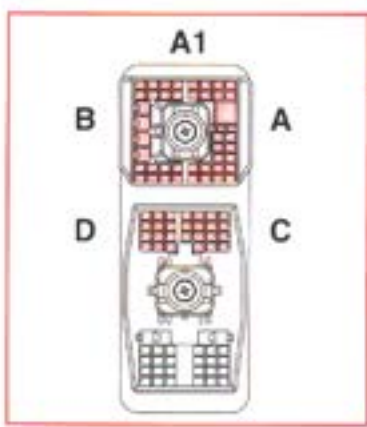
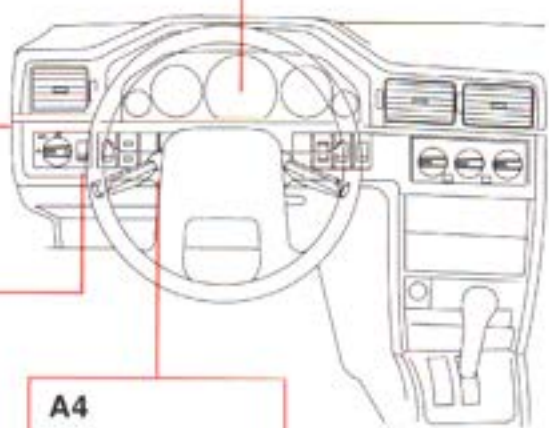
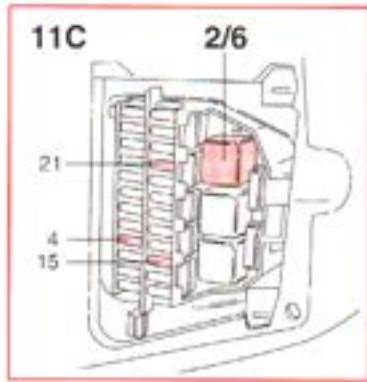
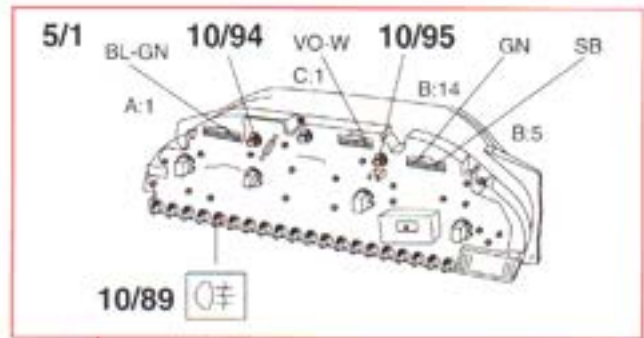
# Tow hitch wiring Left-hand drive cars

## D5

1. Left turn signal lamp
2. Rear foglamps
3. Ground point
4. Right turn signal lamp
5. Right parking light
6. Stop (brake) lamps
7. Left parking light
8. Back-up (reversing) lamps
9. 30-supply
10. 15I-supply



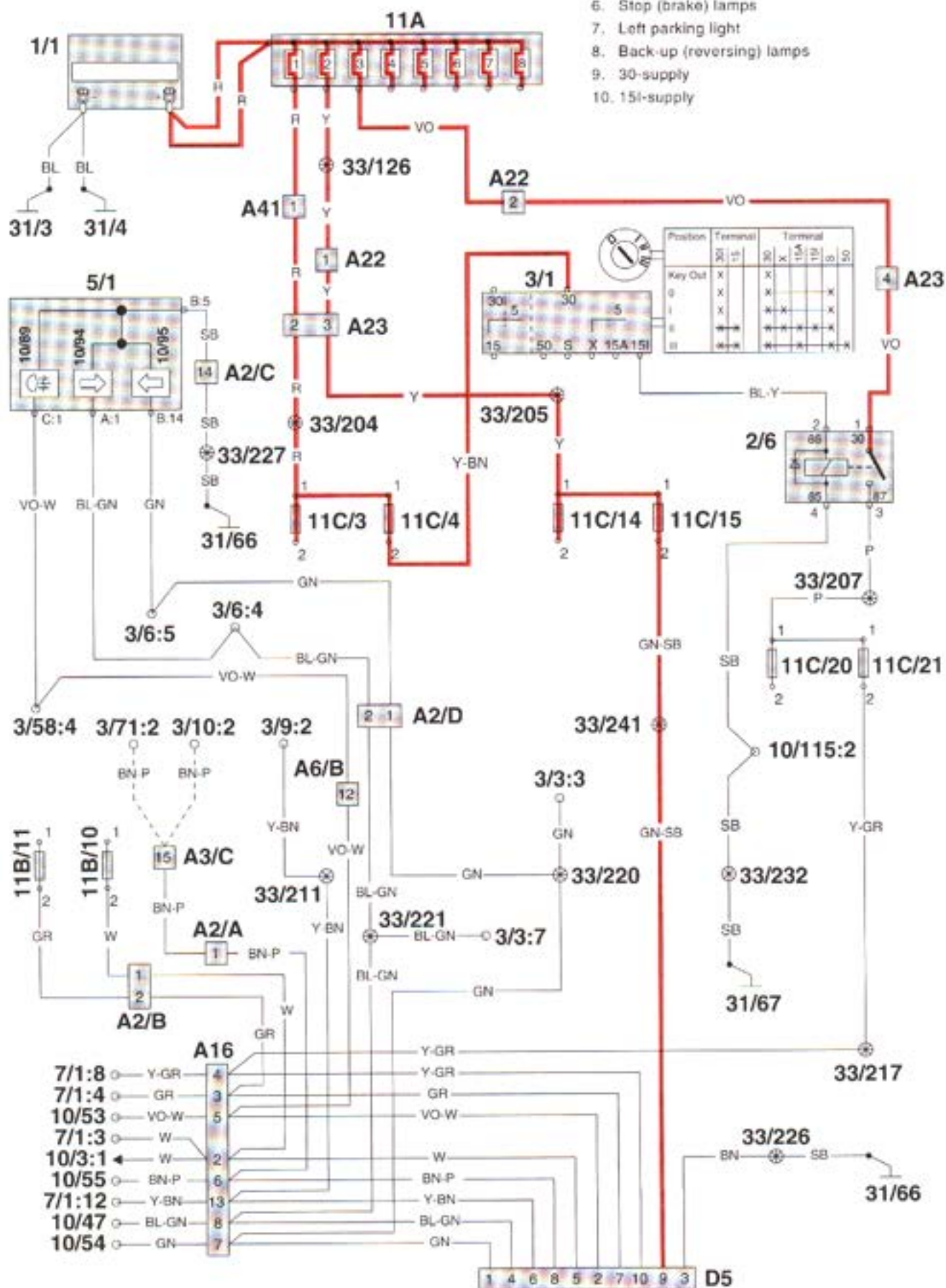
# Tow hitch wiring Left-hand drive cars



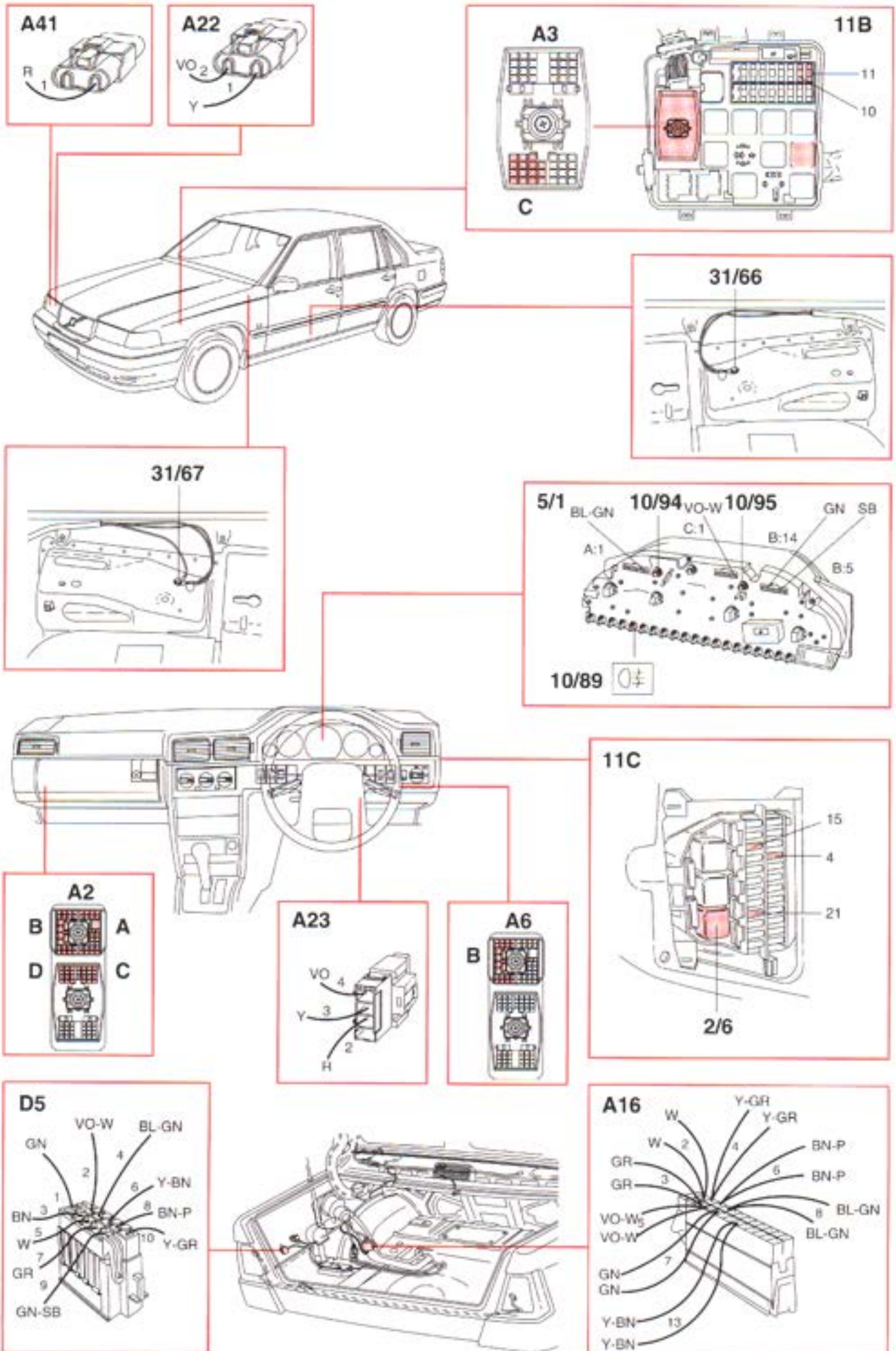
# Tow hitch wiring Right-hand drive cars

## D5

1. Left turn signal lamp
2. Rear foglamps
3. Ground point
4. Right turn signal lamp
5. Right parking light
6. Stop (brake) lamps
7. Left parking light
8. Back-up (reversing) lamps
9. 30-supply
10. 15l-supply



# Tow hitch wiring Right-hand drive cars



# Accessory wiring

D9:

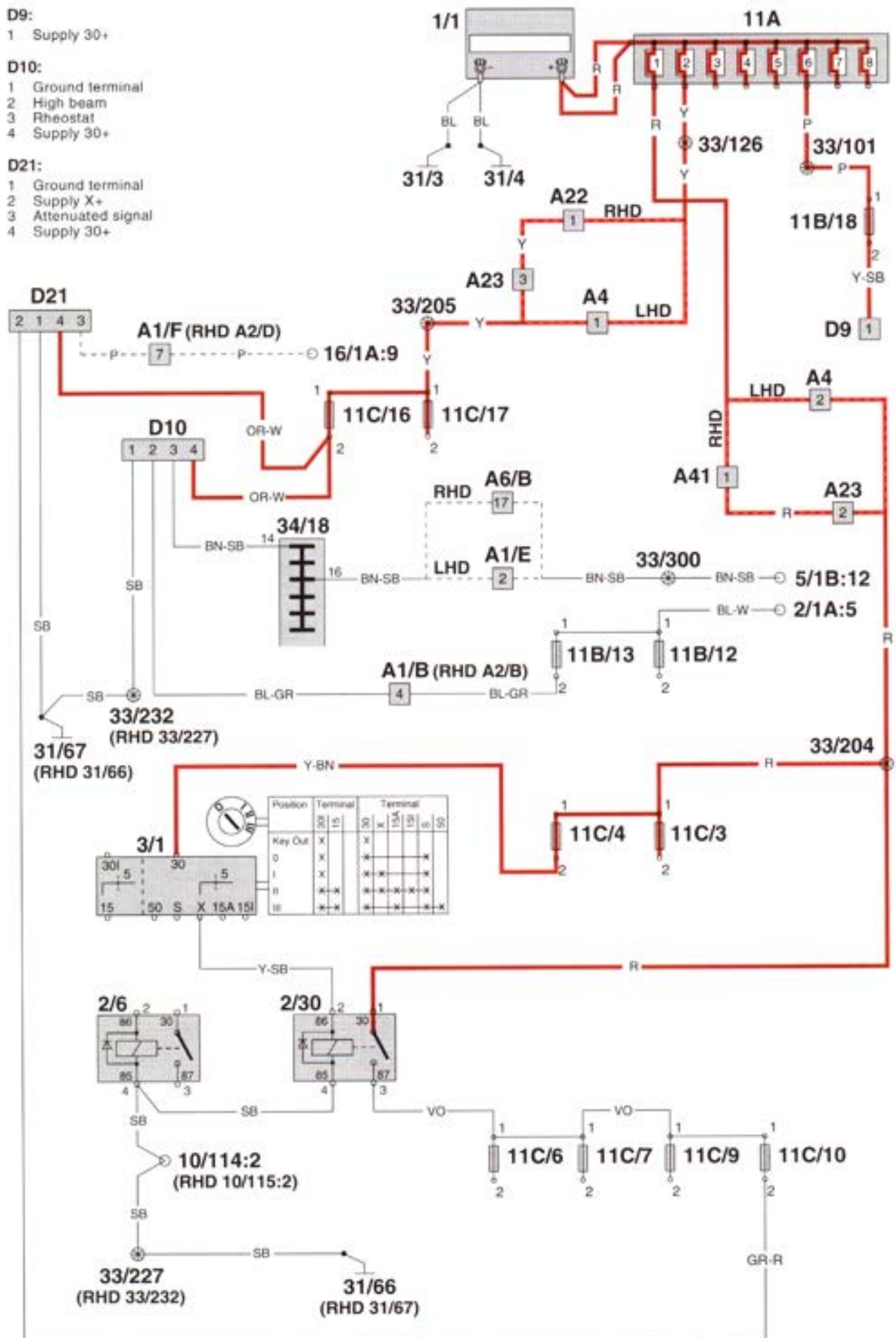
- 1 Supply 30+

D10:

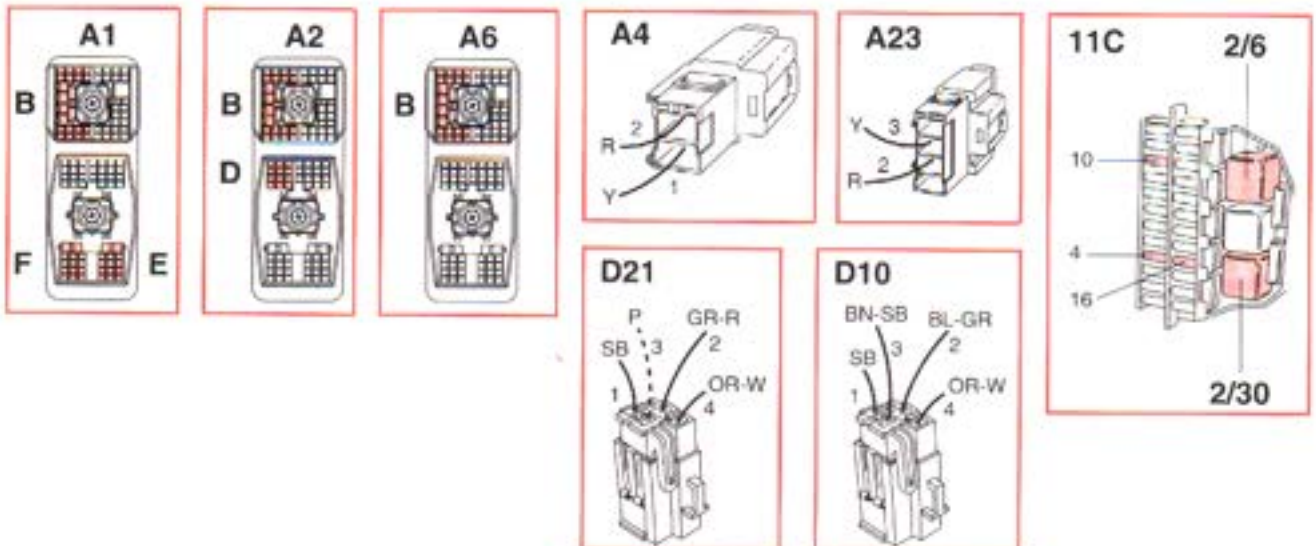
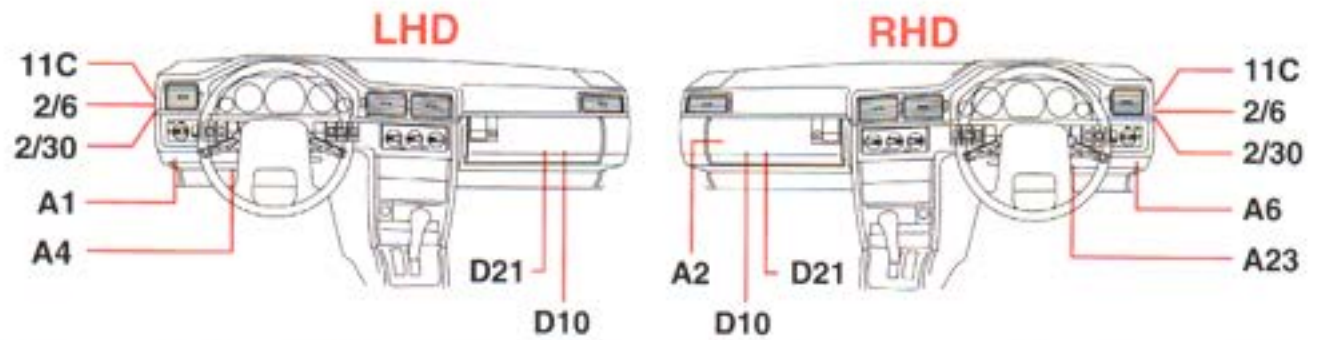
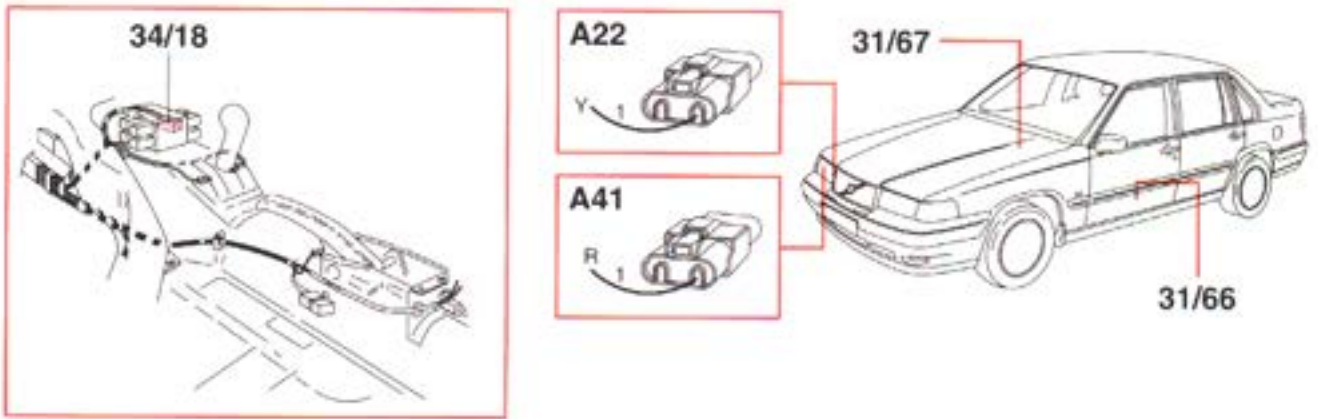
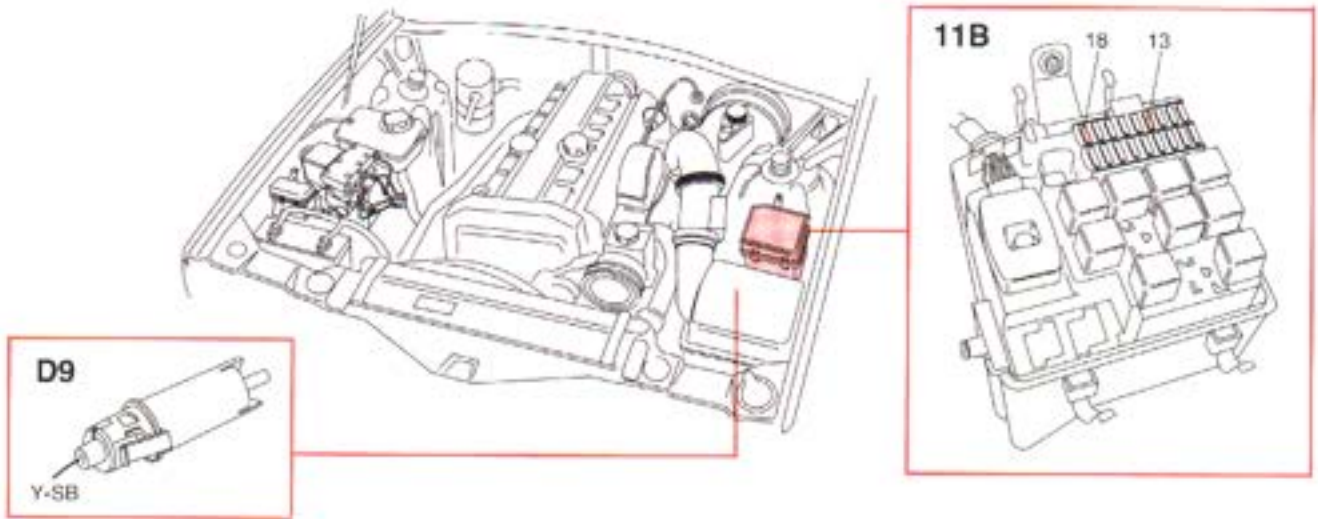
- 1 Ground terminal
- 2 High beam
- 3 Rheostat
- 4 Supply 30+

D21:

- 1 Ground terminal
- 2 Supply X+
- 3 Attenuated signal
- 4 Supply 30+

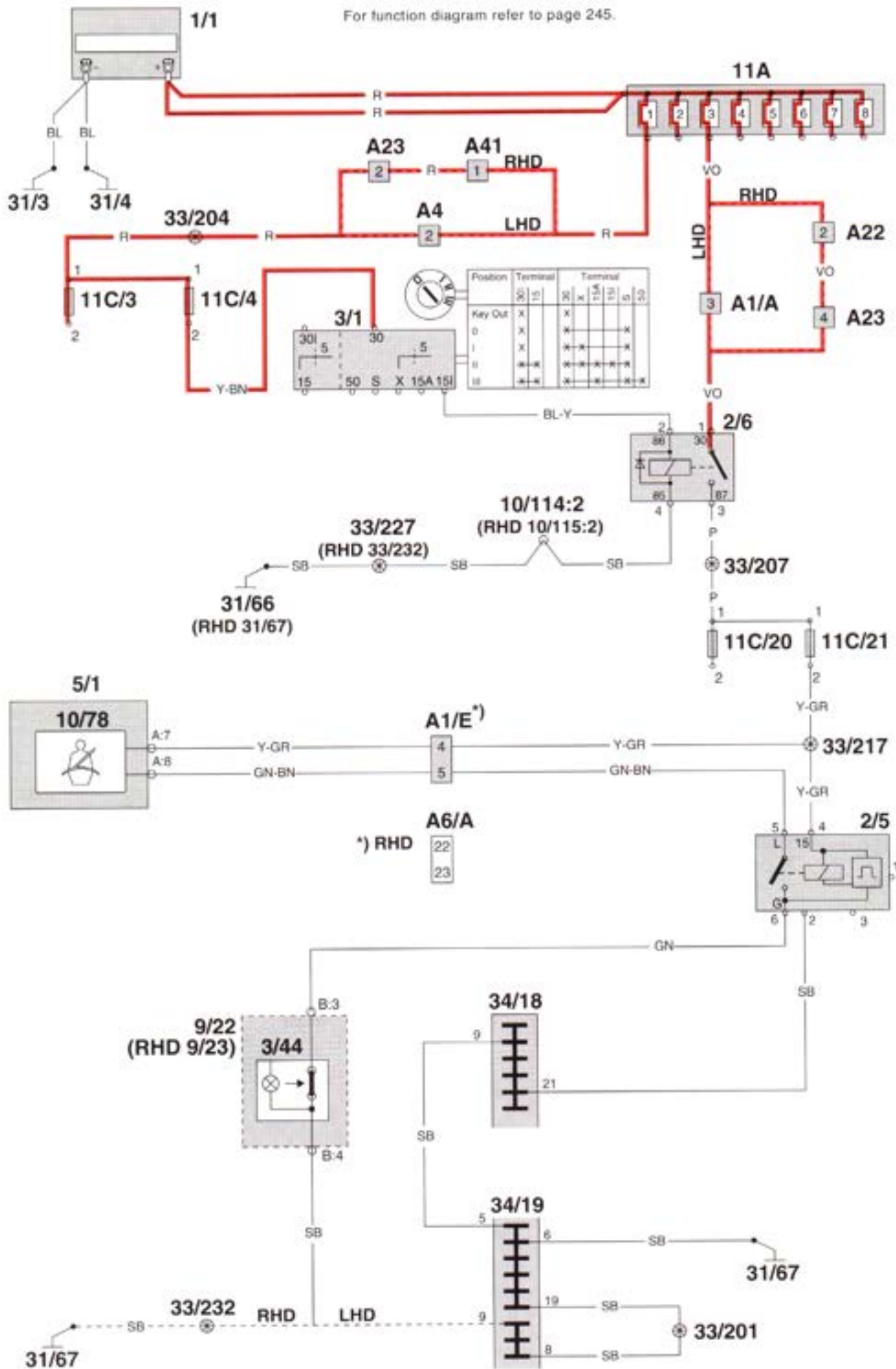


# Accessory wiring

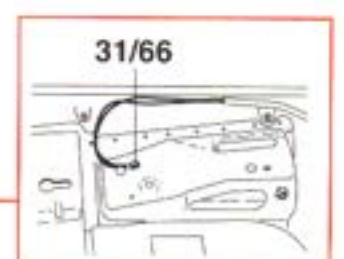
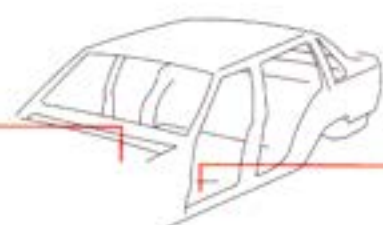
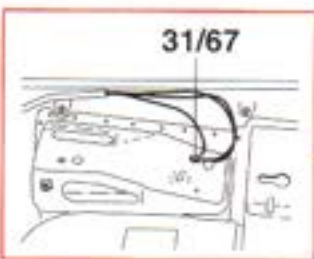
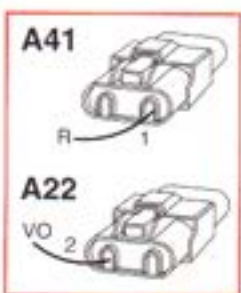
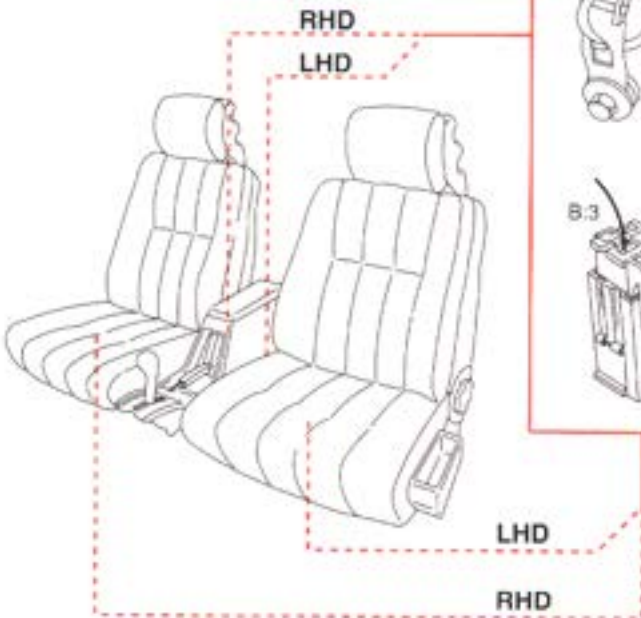
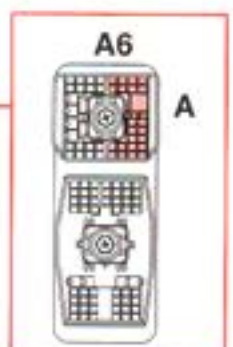
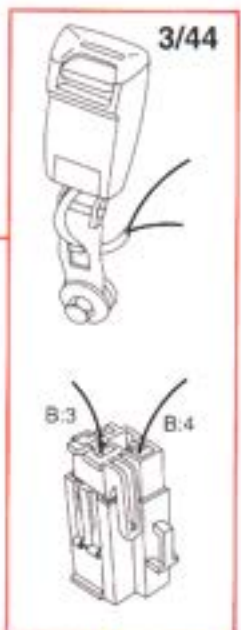
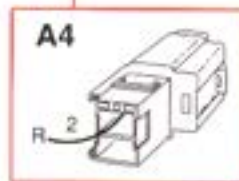
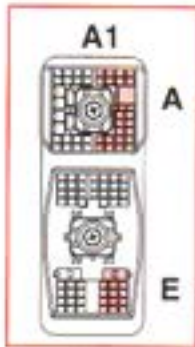
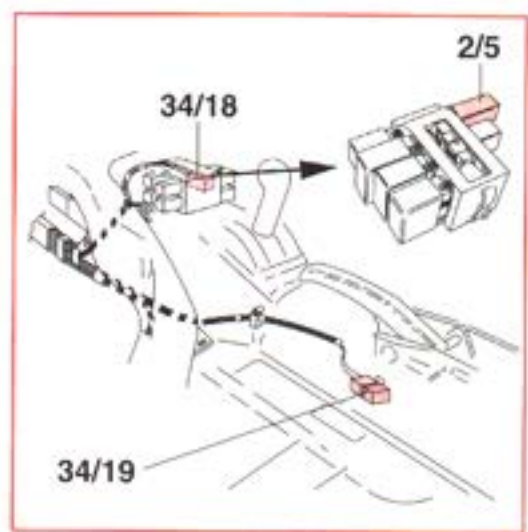
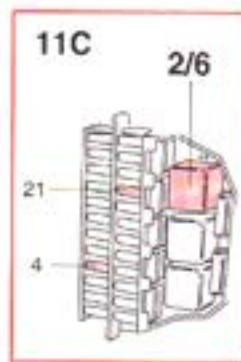
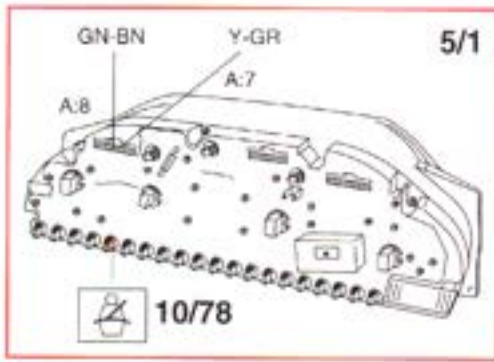


# Seat belt reminder

For function diagram refer to page 245.

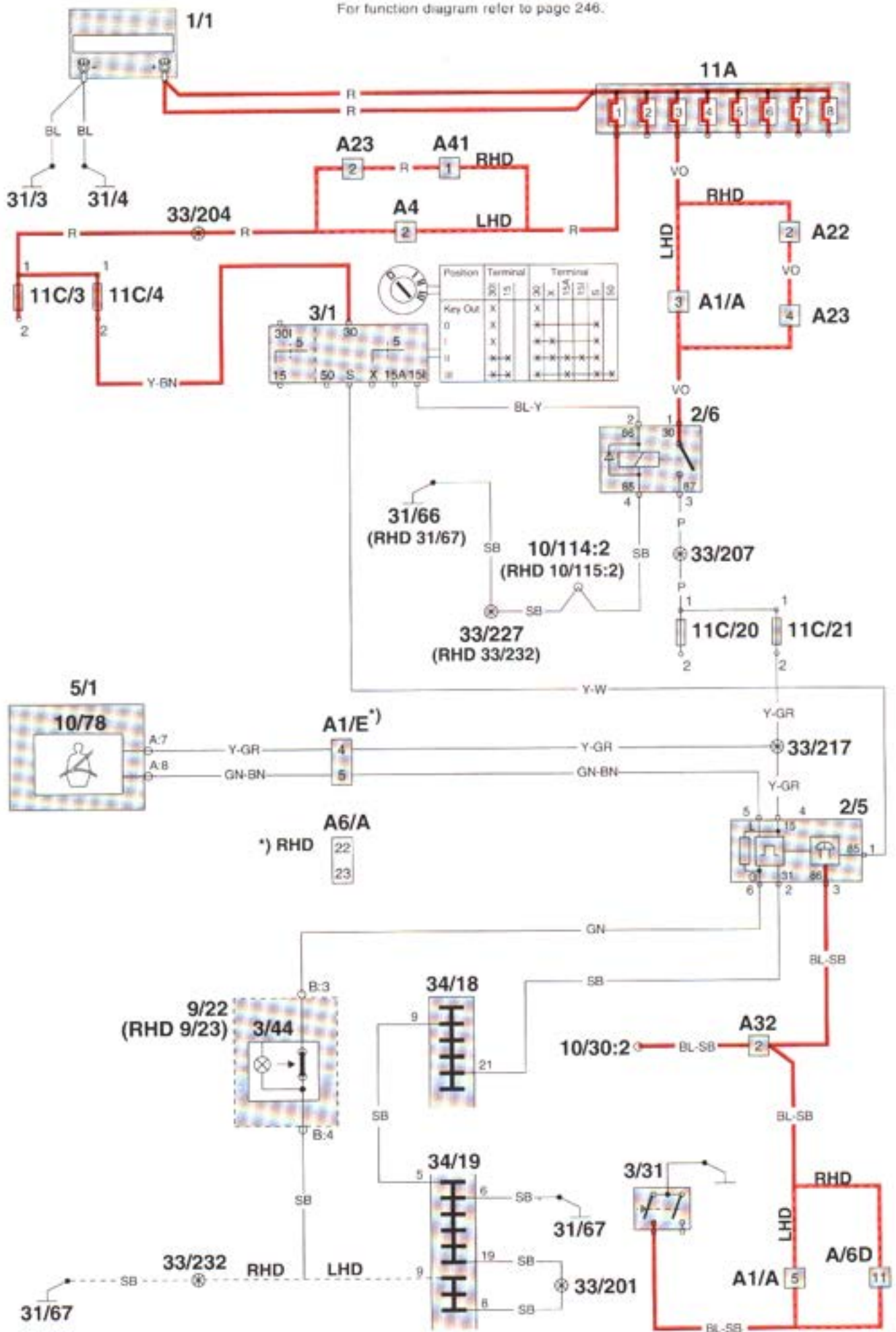


# Seat belt reminder

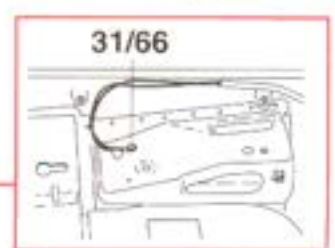
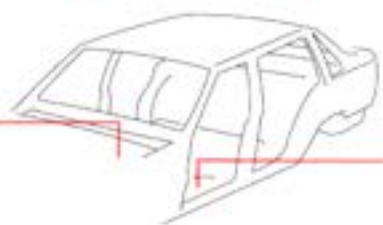
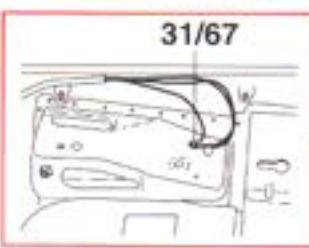
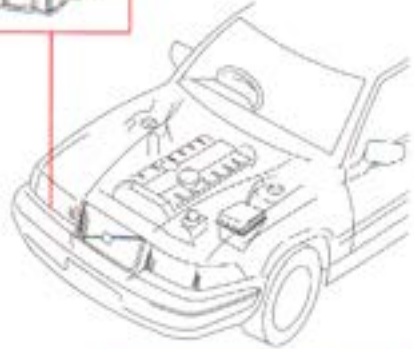
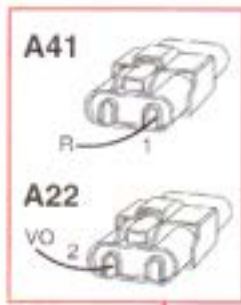
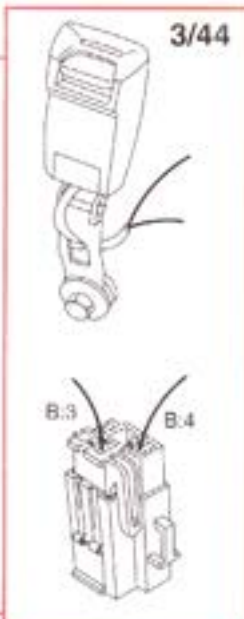
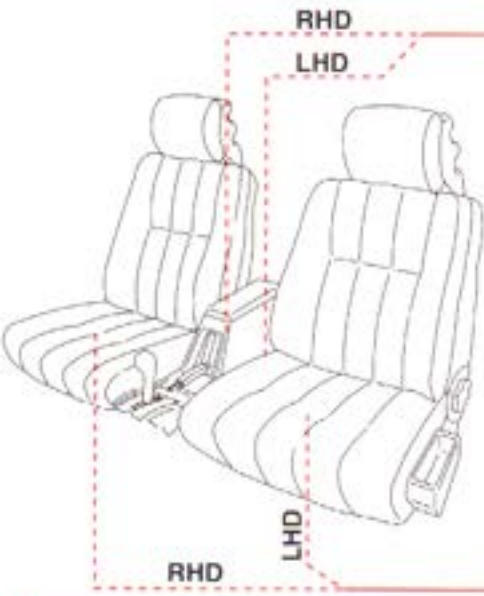
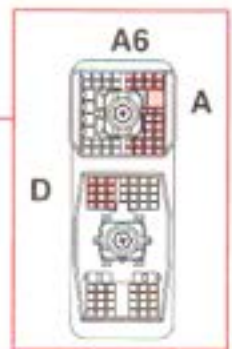
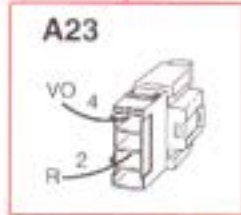
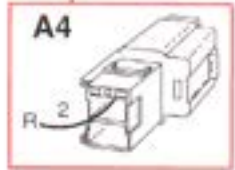
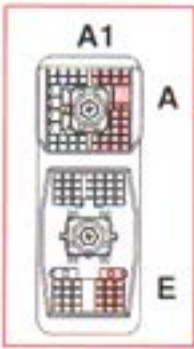
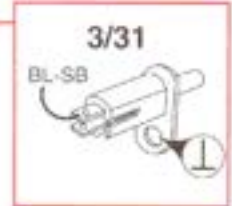
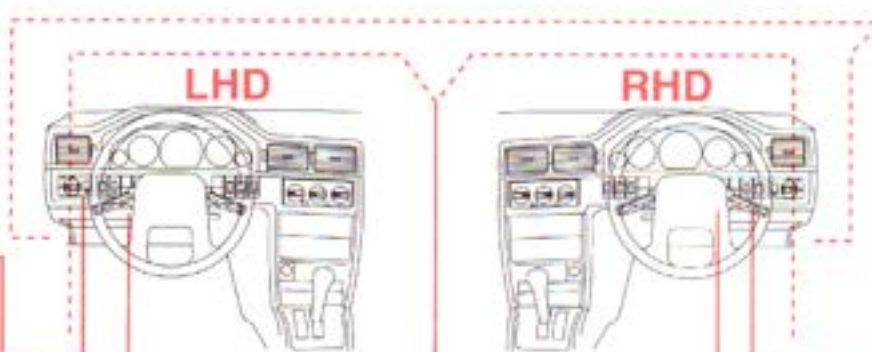
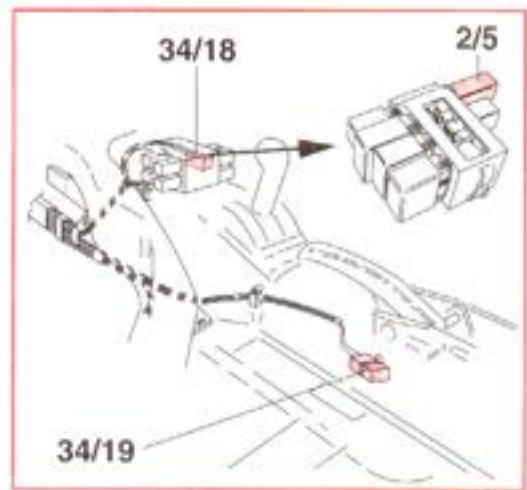
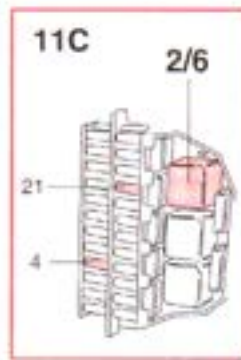
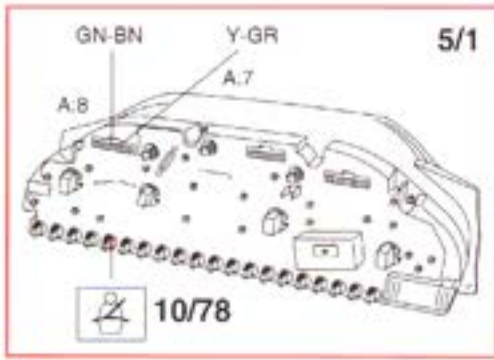


# Seat belt reminder and key warning USA, Canada, Korea and Australia

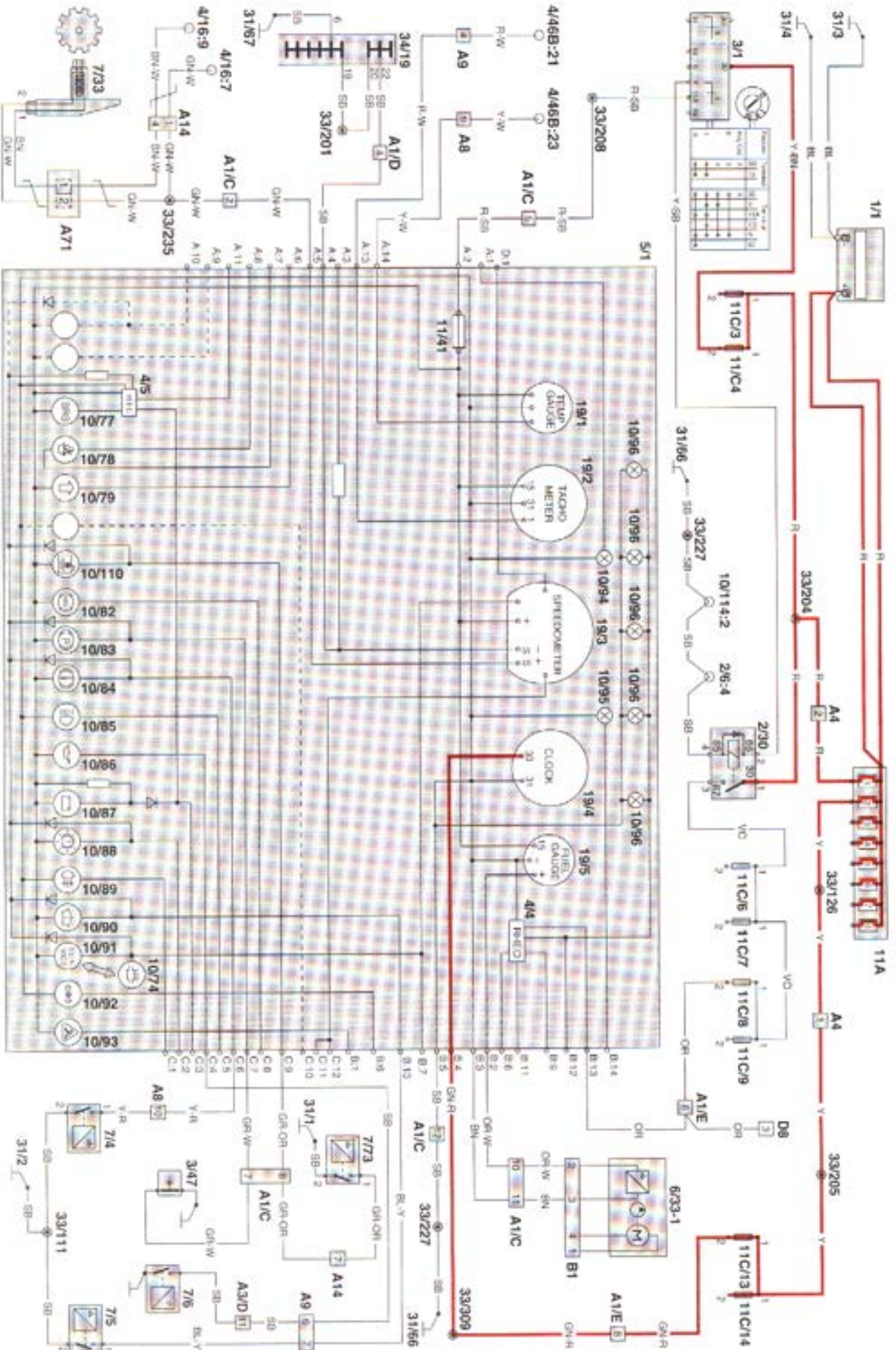
For function diagram refer to page 246.



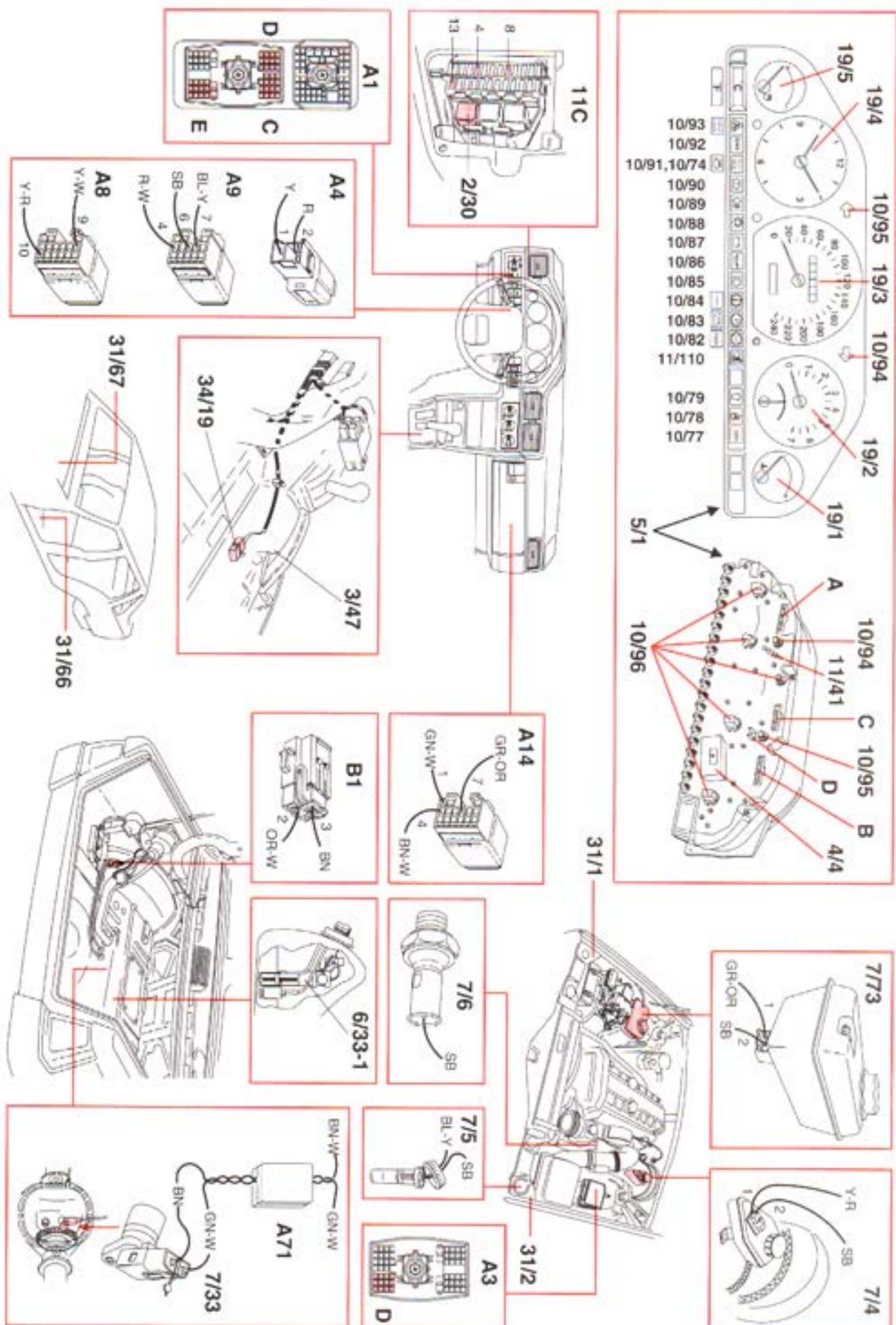
# Seat belt reminder and key warning USA, Canada, Korea and Australia



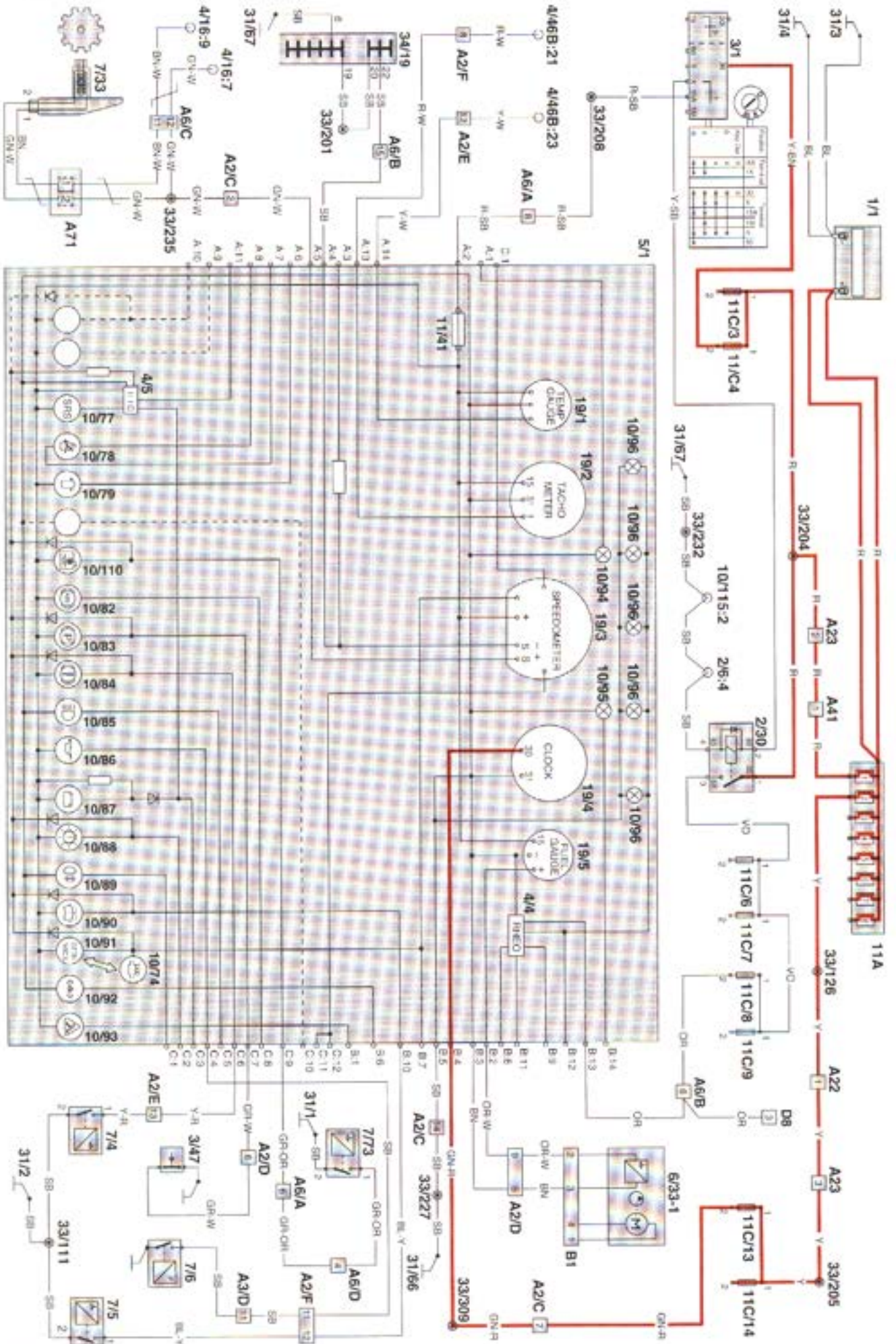
# Combined instrument panel Left-hand drive cars



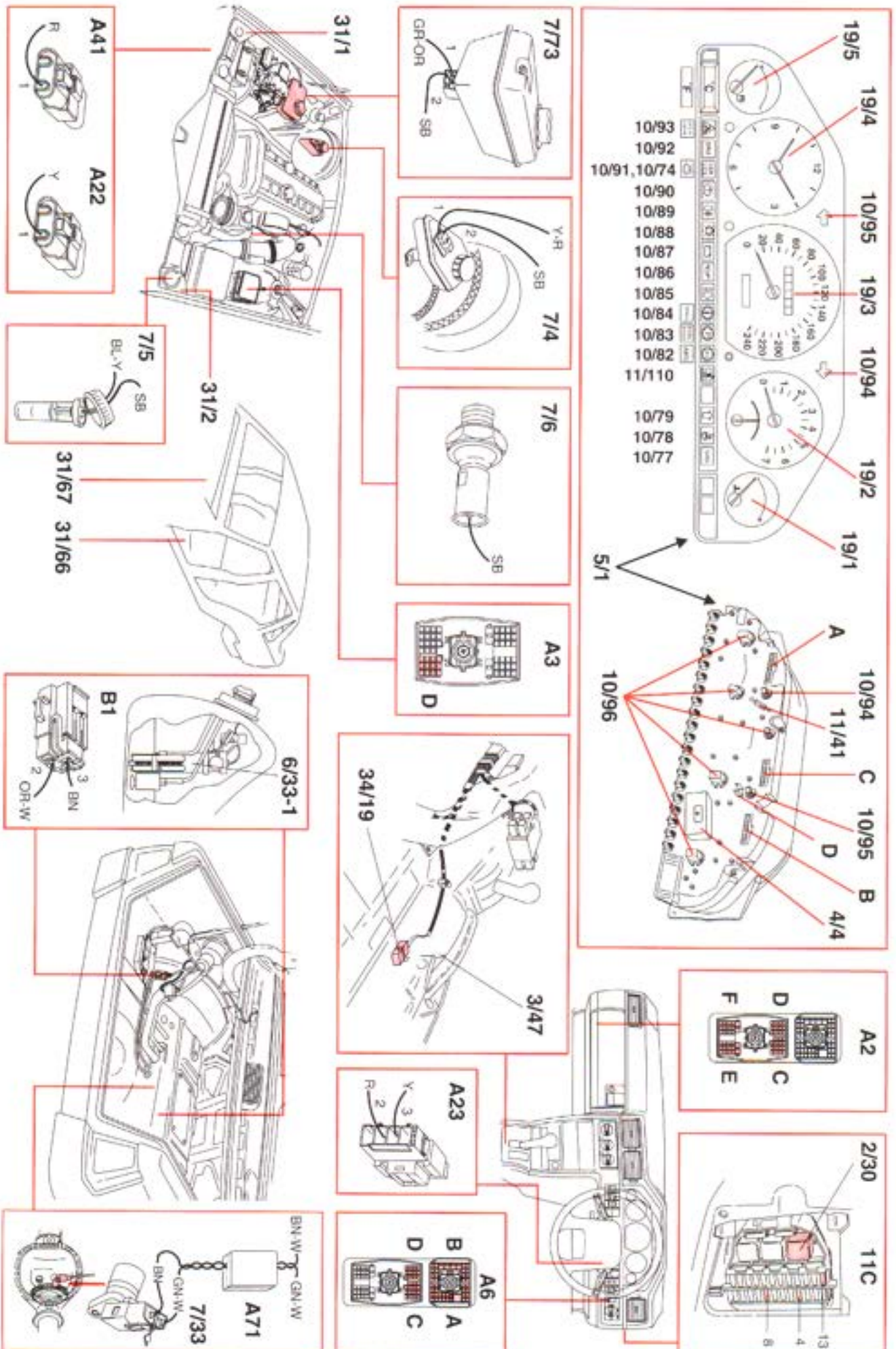
# Combined instrument panel Left-hand drive cars



# Combined instrument panel Right-hand drive cars



# Combined instrument panel Right-hand drive cars



# Combined instrument panel

## Instrument lamps

### Instrument lamps

|       |                                    |        |  |
|-------|------------------------------------|--------|--|
| 10/74 | Exhaust temperature indicator lamp | 10/88  | Bulb failure warning lamp                        |
| 10/77 | SRS indicator lamp                 | 10/89  | Fog tail lamp indicator lamp                     |
| 10/78 | Seat belt indicator lamp           | 10/90  | Windshield washer reservoir level indicator lamp |
| 10/79 | Gear selector indicator lamp       | 10/91  | Service reminder indicator (SRI)                 |
| 10/82 | ABS warning lamp                   | 10/92  | Trailer indicator lamp                           |
| 10/83 | Parking brake indicator lamp       | 10/93  | Check engine indicator lamp                      |
| 10/84 | Brake warning indicator lamp       | 10/94  | Right turn signal lamp indicator lamp            |
| 10/85 | High beam warning lamp             | 10/95  | Left turn signal lamp indicator lamp             |
| 10/86 | Oil pressure indicator lamp        | 10/96  | Instrument lighting                              |
| 10/87 | Ignition light                     | 10/110 | Engine coolant level indicator lamp              |

### Connectors in combined instrument panel

#### A 14-pin connector

|    |   |       |
|----|---|-------|
| 1  | Right turn signal lamp                                | BL-GN |
| 2  | 15A+ supply   | R-SB  |
| 3  | -   |       |
| 4  | Ground reference ground terminal 31/67                | SB    |
| 5  | Speedometer pick-up                                   | GN-W  |
| 6  | Winter program signal (automatic transmission)        | BN-OR |
| 7  | Seat belt reminder                                    | Y-GR  |
| 8  | Seat belt reminder                                    | GN-BN |
| 9  | -   |       |
| 10 | -   |       |
| 11 | Supplemental Restraint System Crash Sensor terminal 7 | OR-SB |
| 12 | -   |       |
| 13 | Engine control module (ECM) terminal B:21             | R-W   |
| 14 | Engine control module (ECM) terminal B:23             | Y-W   |

#### B 14-pin connector

|    |  |       |
|----|--|-------|
| 1  | Engine control module (ECM) terminal B:7         | OR    |
| 2  | Fuel level sensor                                | OR-W  |
| 3  | Fuel level sensor                                | BN    |
| 4  | 30+ supply to clock                              | GN-R  |
| 5  | Ground terminal 31/66                            | SB    |
| 6  | -  |       |
| 7  | Exhaust temperature sensor relay terminal 3      | W     |
| 8  | Rheostat alignment                               | GN-GR |
| 9  | Light switch terminal 2                          | BL-W  |
| 10 | Windshield washer reservoir level warning switch | BL-Y  |
| 11 | Light switch terminal 8                          | BL-SB |
| 12 | Rheostat, output                                 | BN-SB |
| 13 | X+ supply to rheostat                            | OR    |
| 14 | Left turn signal lamp                            | GN    |

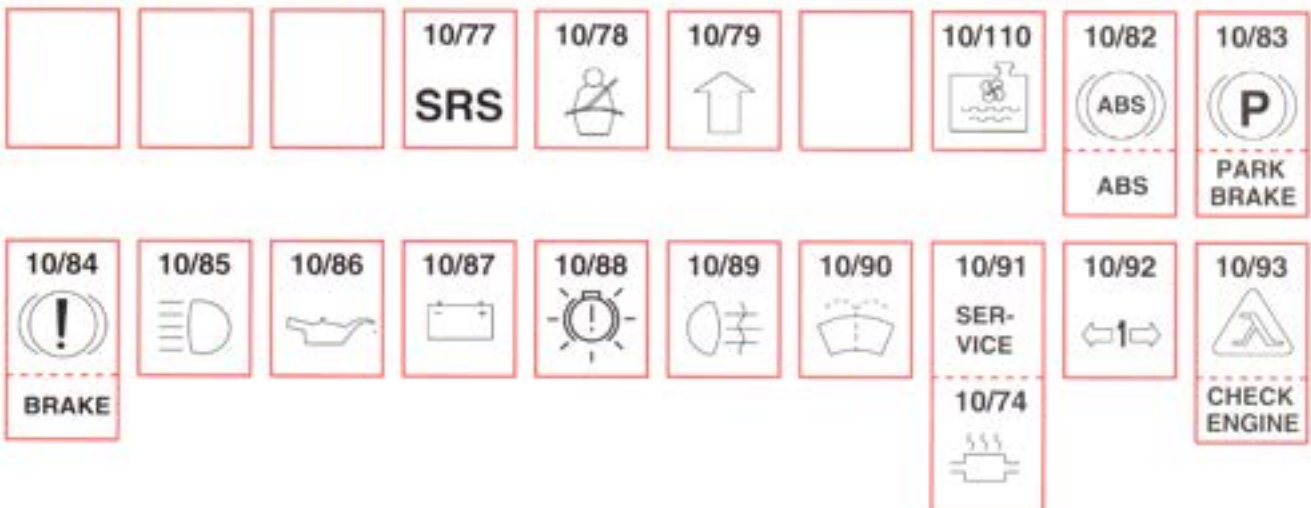
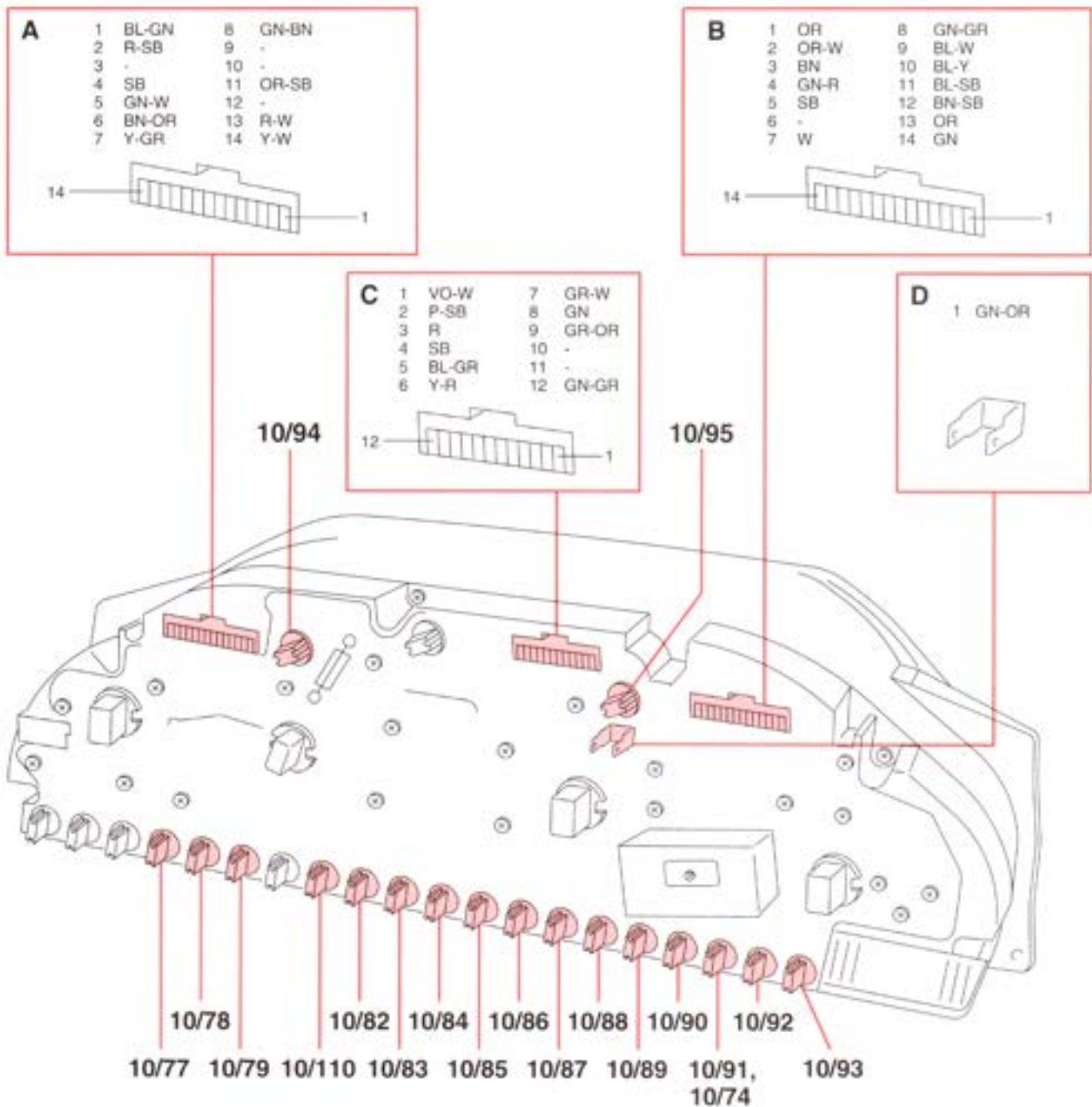
#### C 12-pin connector

|    |   |       |
|----|---|-------|
| 1  | Fog tail lamp   | VO-W  |
| 2  | Bulb failure warning sensor                                 | P-SB  |
| 3  | Generator (GEN) D+  | R     |
| 4  | Oil pressure switch   | SB    |
| 5  | Full beam signal  | BL-GR |
| 6  | Brake fluid level switch                                    | Y-R   |
| 7  | Parking brake switch  | GR-W  |
| 8  | ABS control module terminal 29<br>ABS modulator terminal 11 | GN    |
| 9  | Engine coolant level switch                                 | GR-OR |
| 10 | -   |       |
| 11 | -   |       |
| 12 | Digital output to control module AW 30-40/43 terminal 8     | GN-GR |

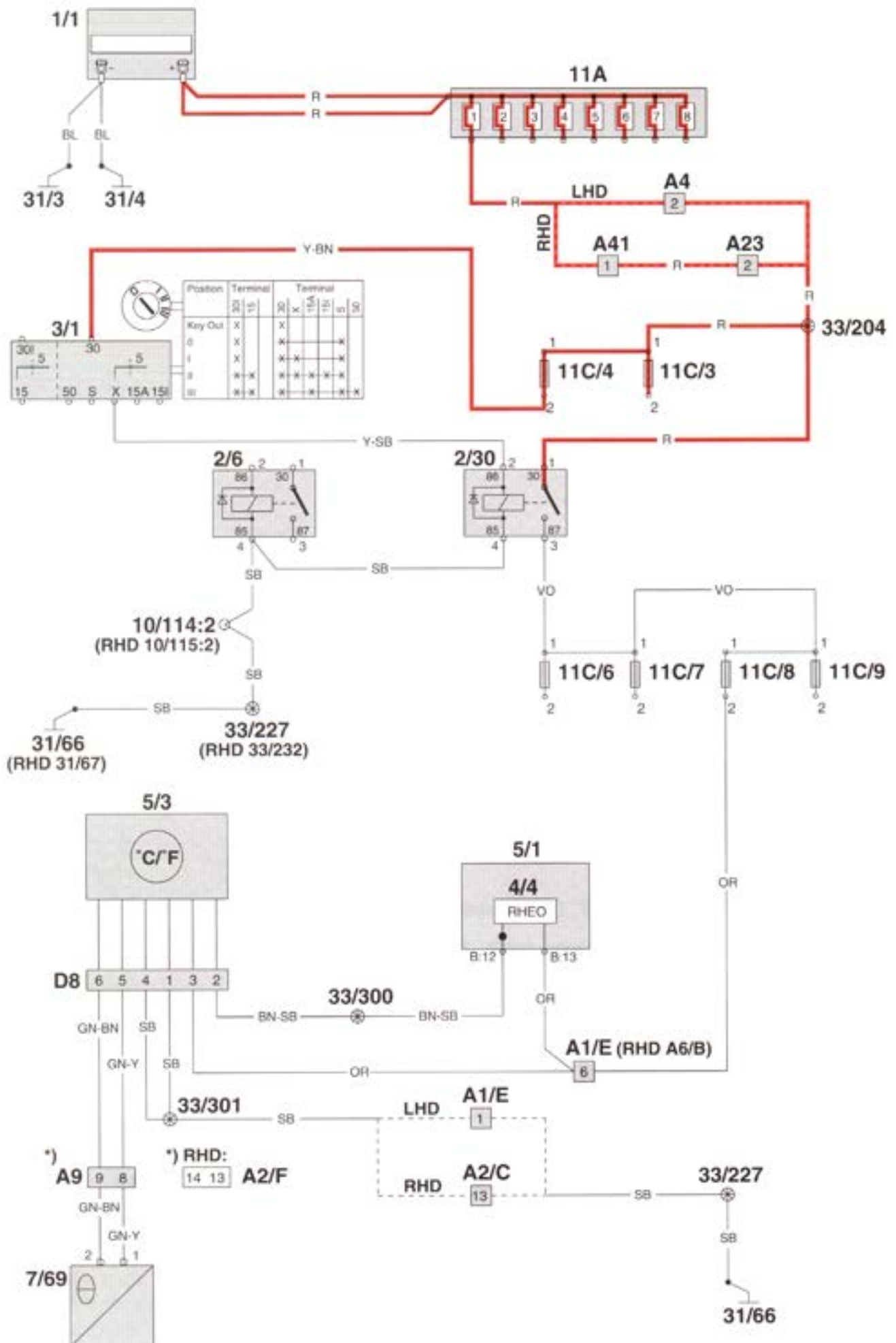
#### D 1-pin connector (double blade terminal)

|   |  |       |
|---|--|-------|
| 1 | Digital output to engine control module (ECM) terminal B:18, Control module, cruise control terminal B:8, ECC control module terminal A:6 and radio terminal B:7 | GN-OR |
|---|--|-------|

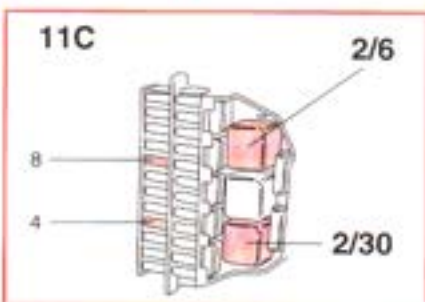
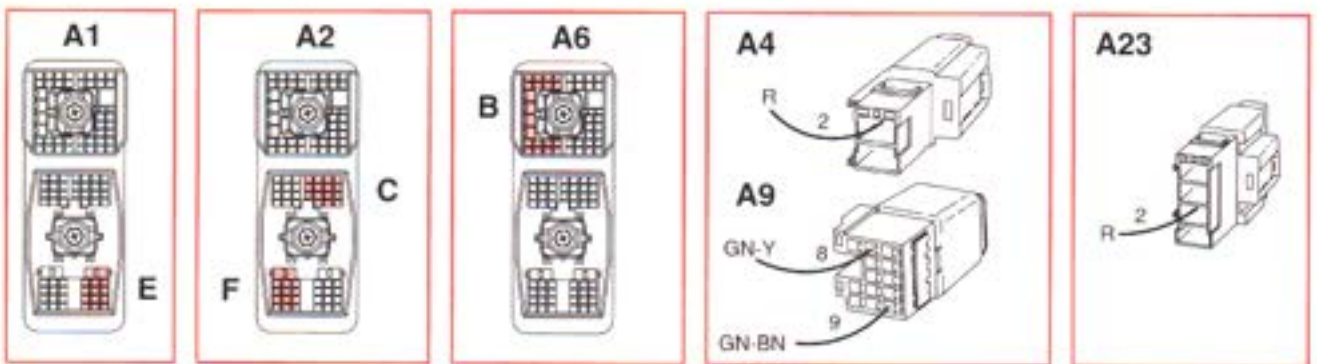
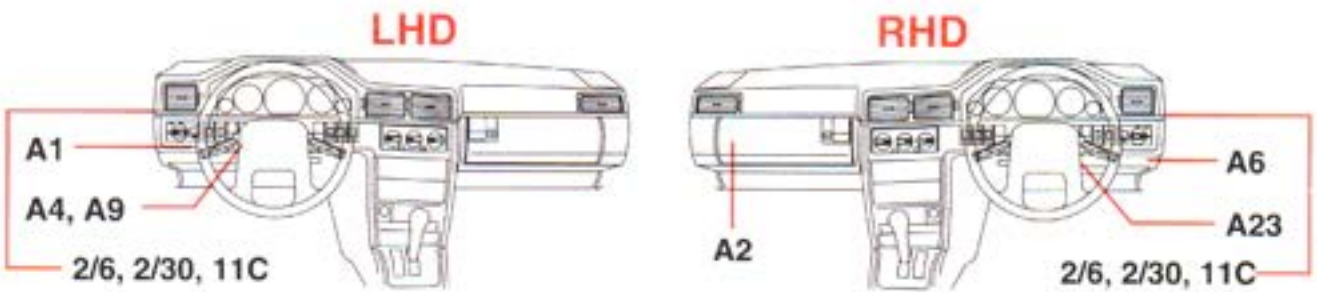
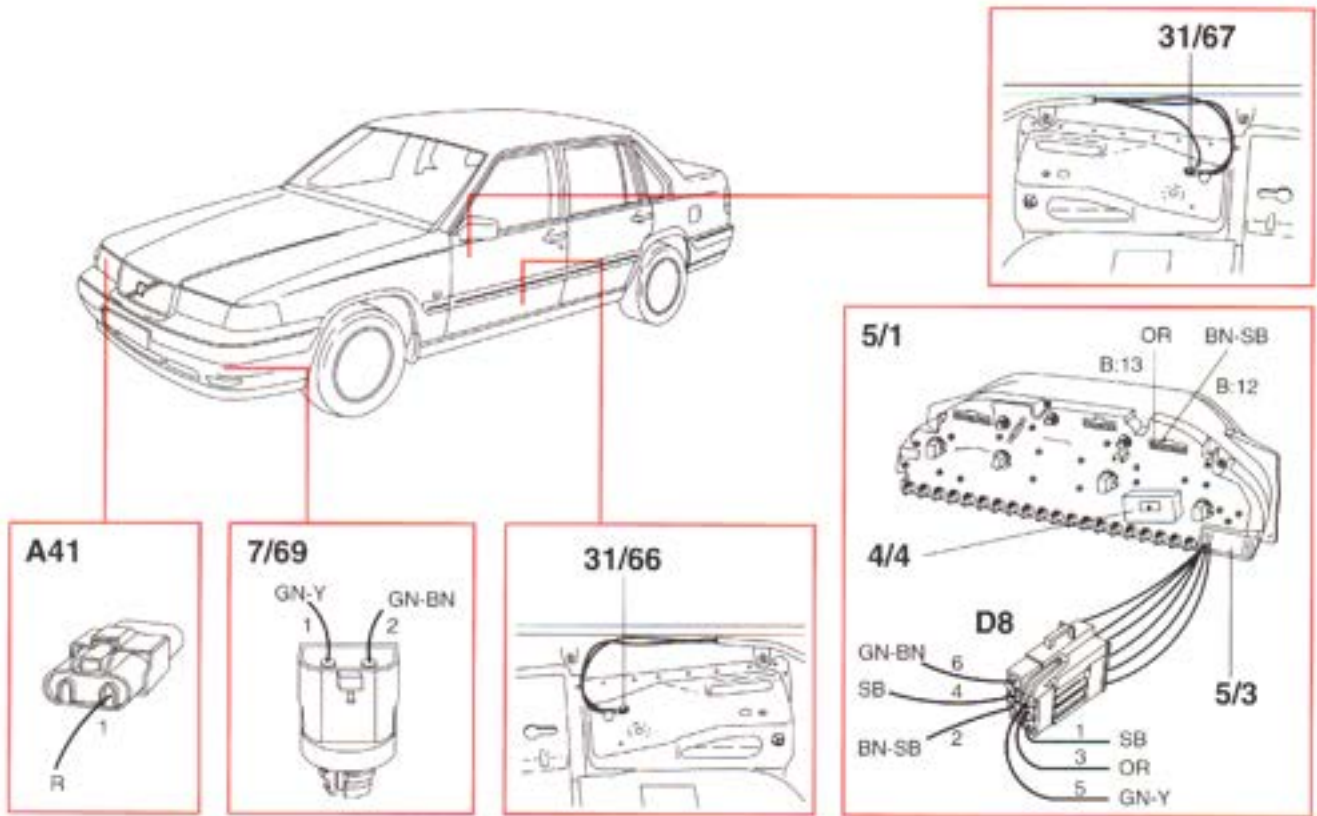
# Combined instrument panel Instrument lamps



# Outer temperature sensor

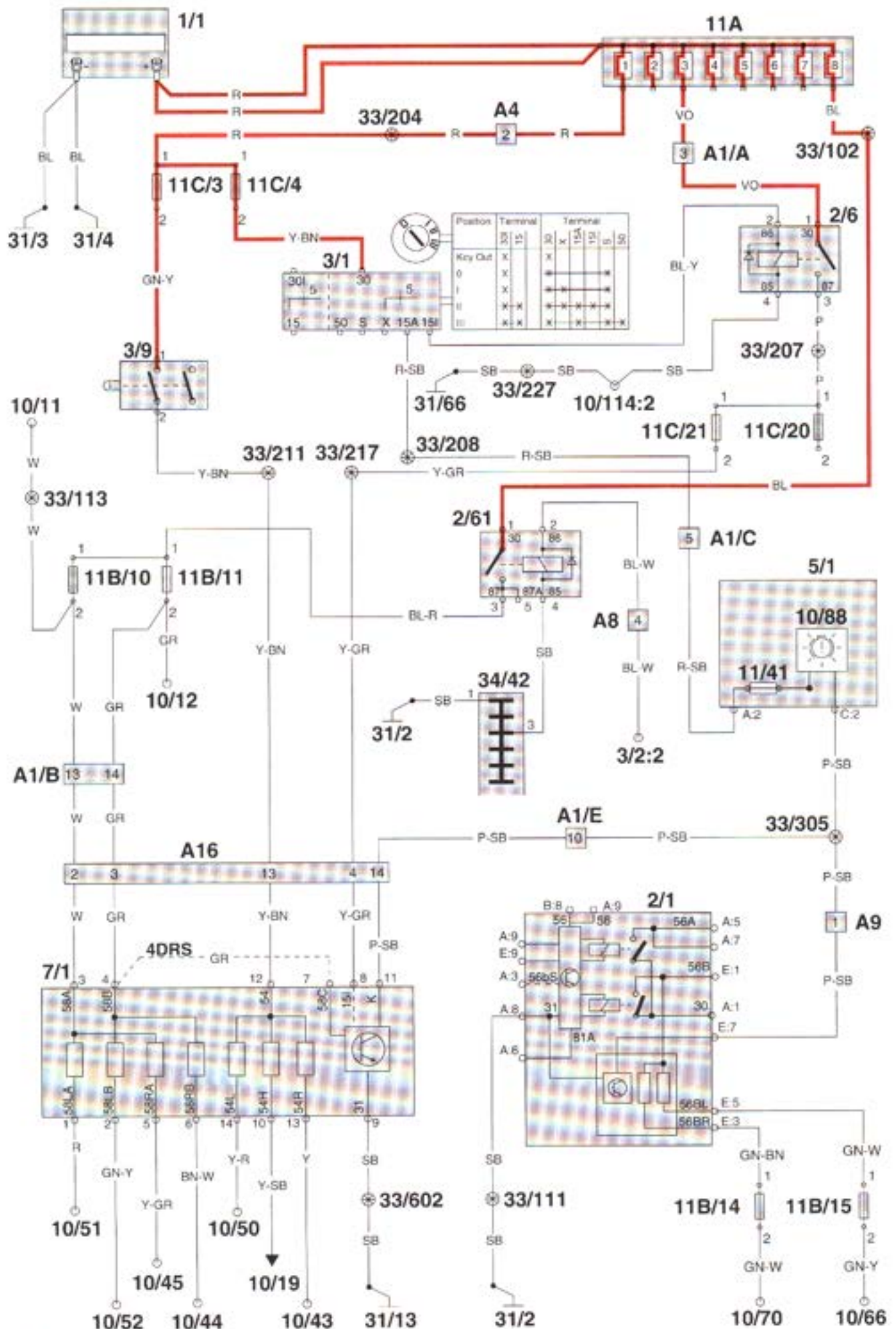


# Outer temperature sensor

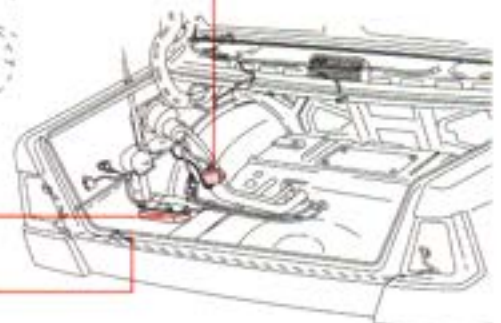
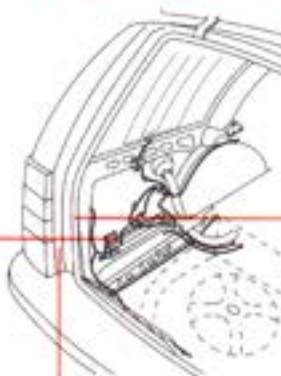
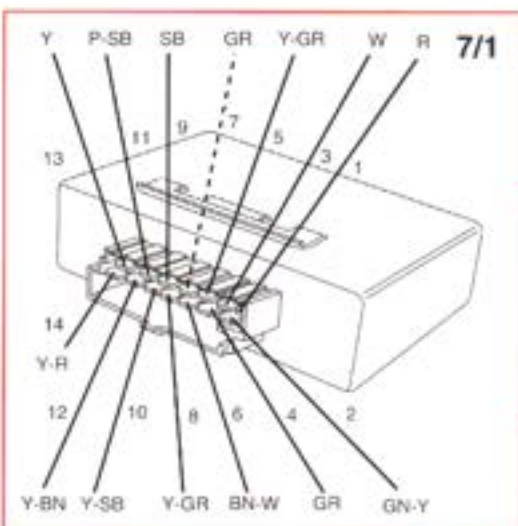
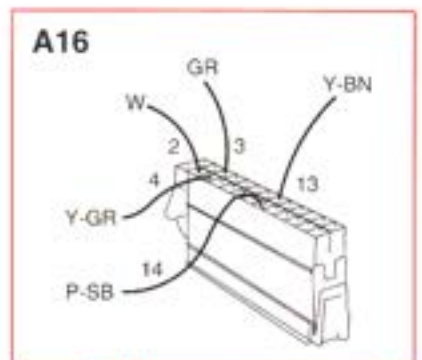
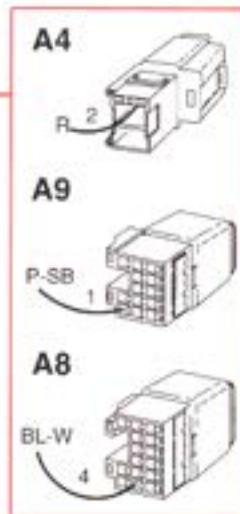
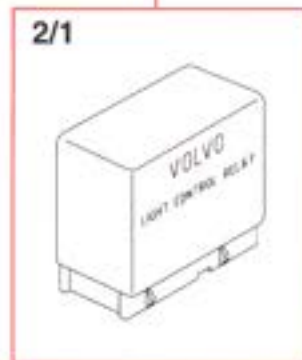
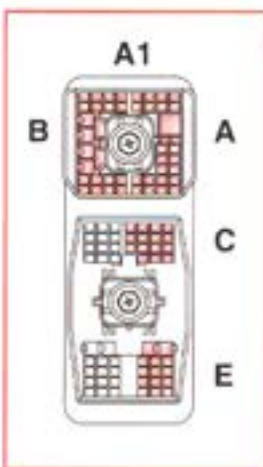
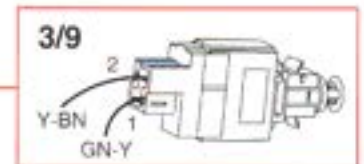
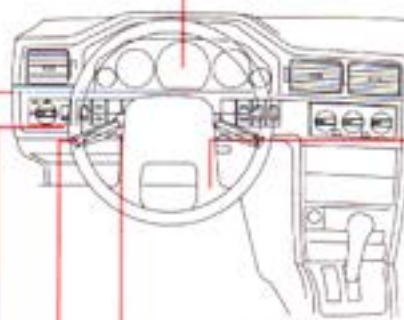
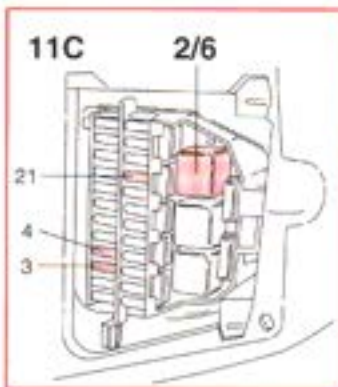
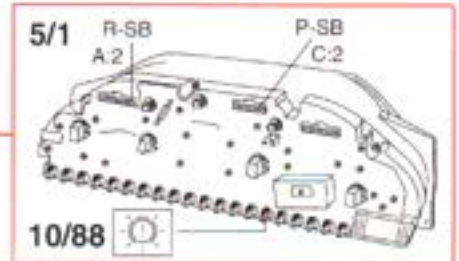
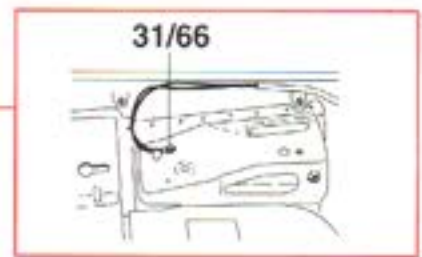
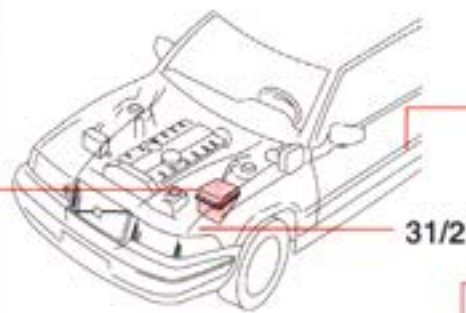


# Bulb failure warning sensor

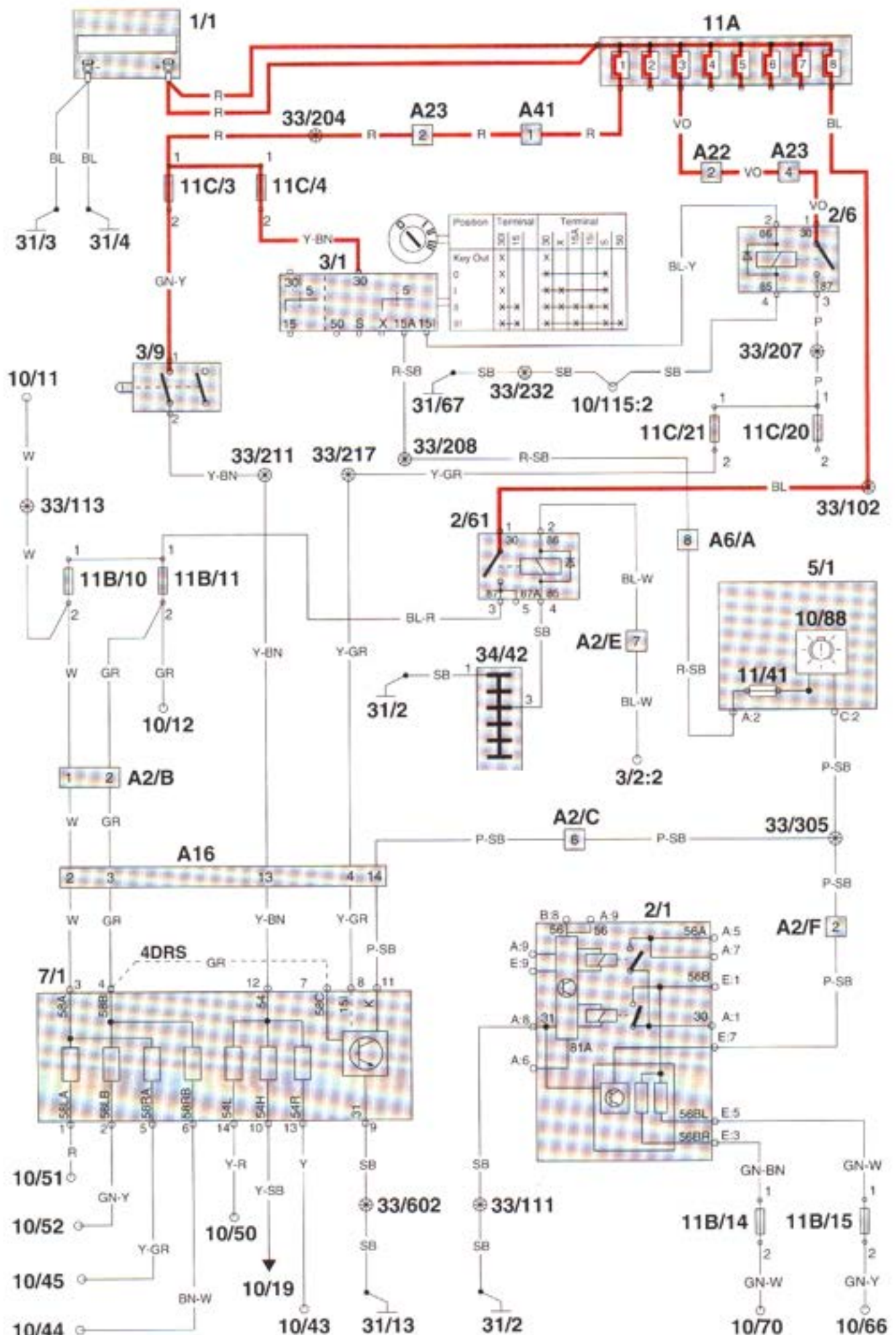
## Left-hand drive cars



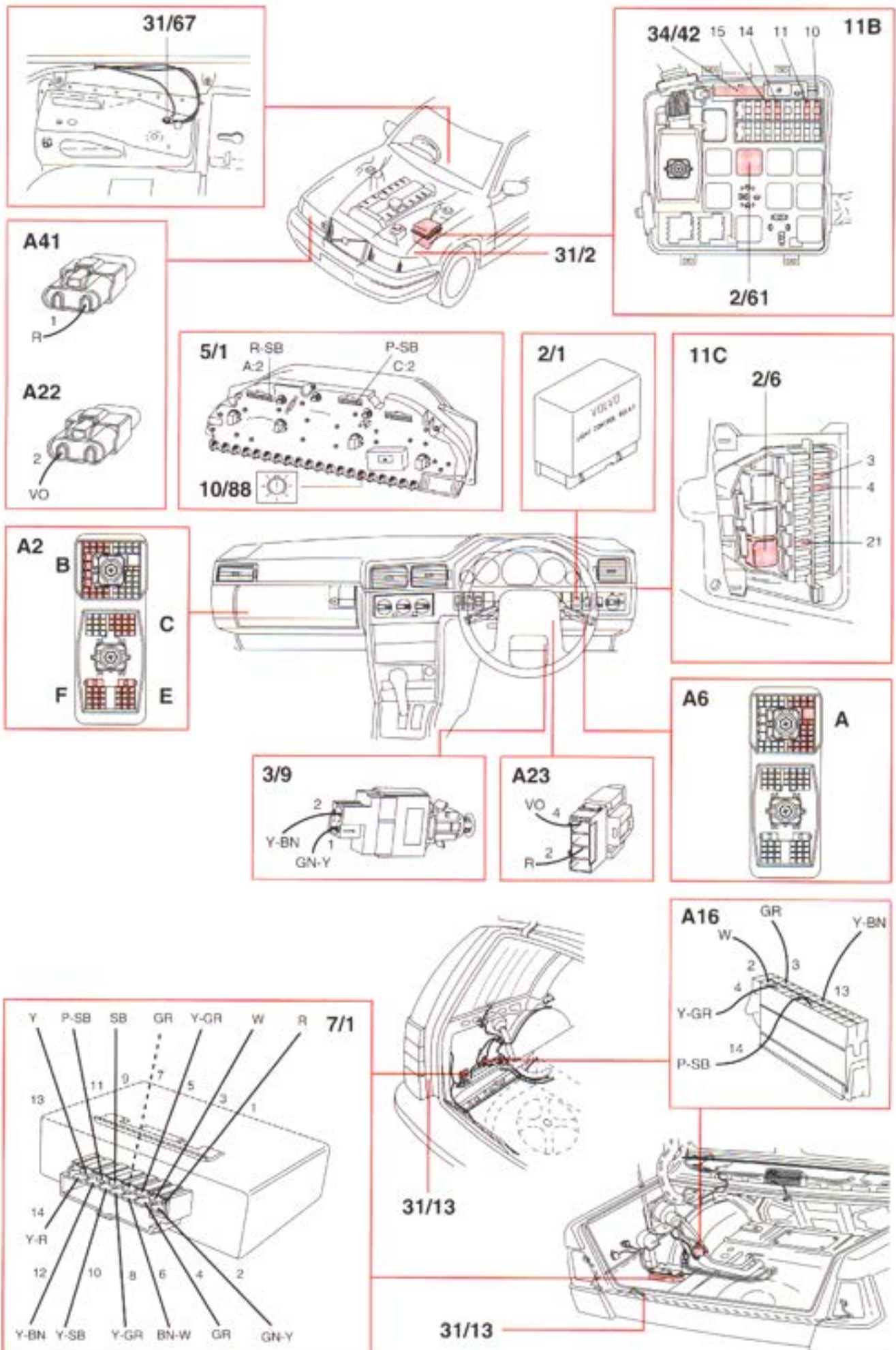
# Bulb failure warning sensor Left-hand drive cars



# Bulb failure warning sensor Right-hand drive cars

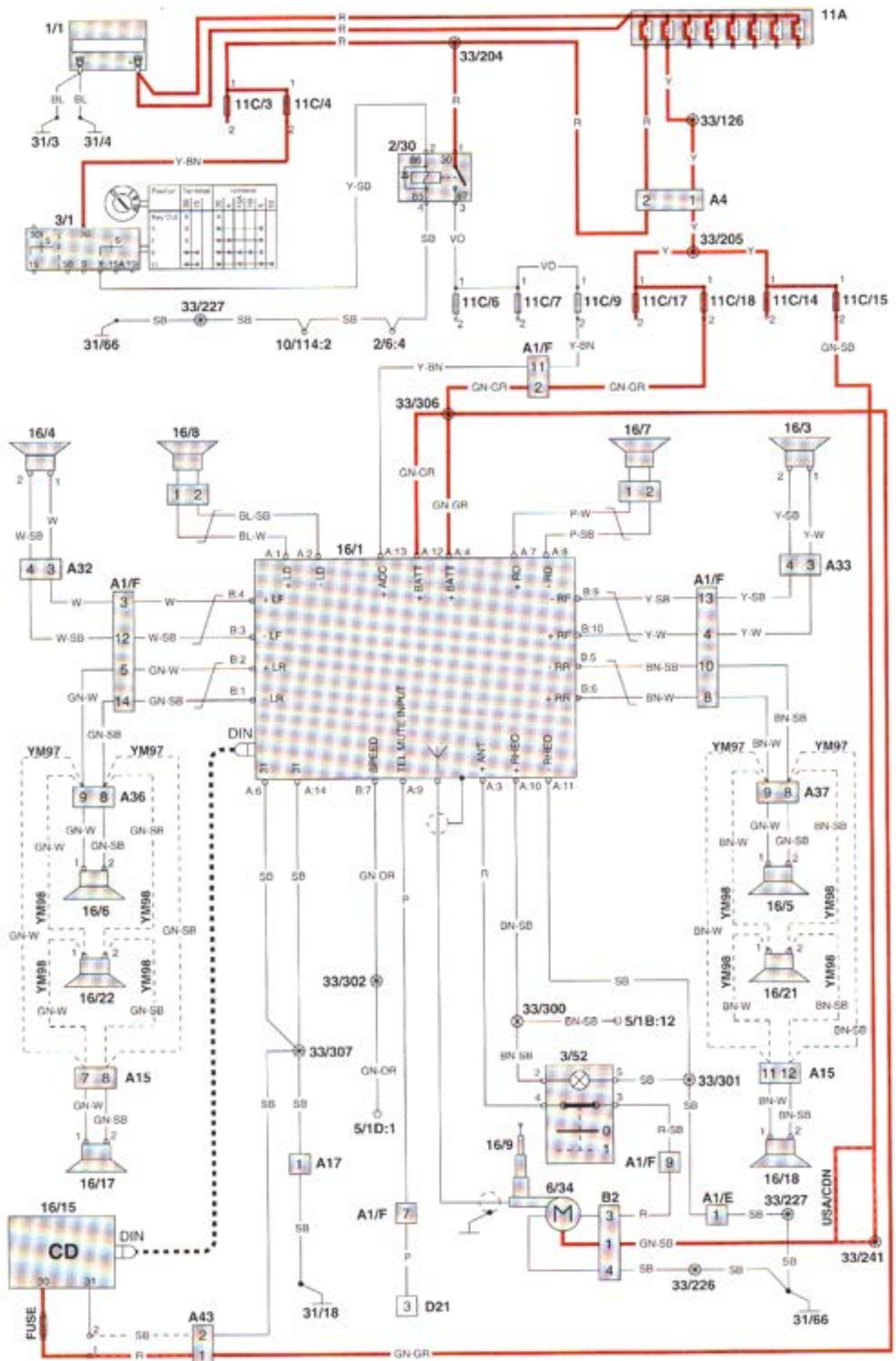


# Bulb failure warning sensor Right-hand drive cars

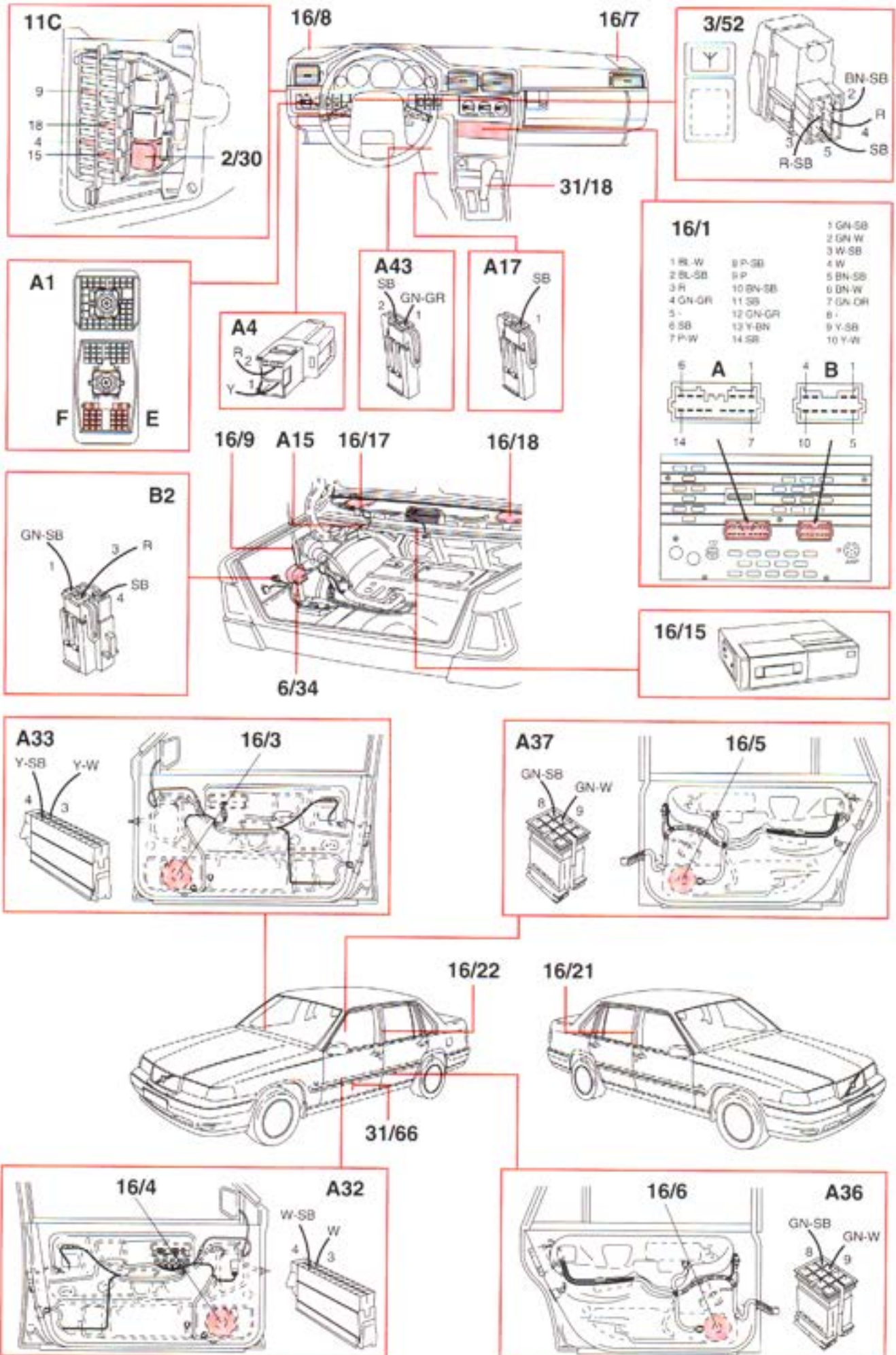


# Radio

## 4-door, left-hand drive cars

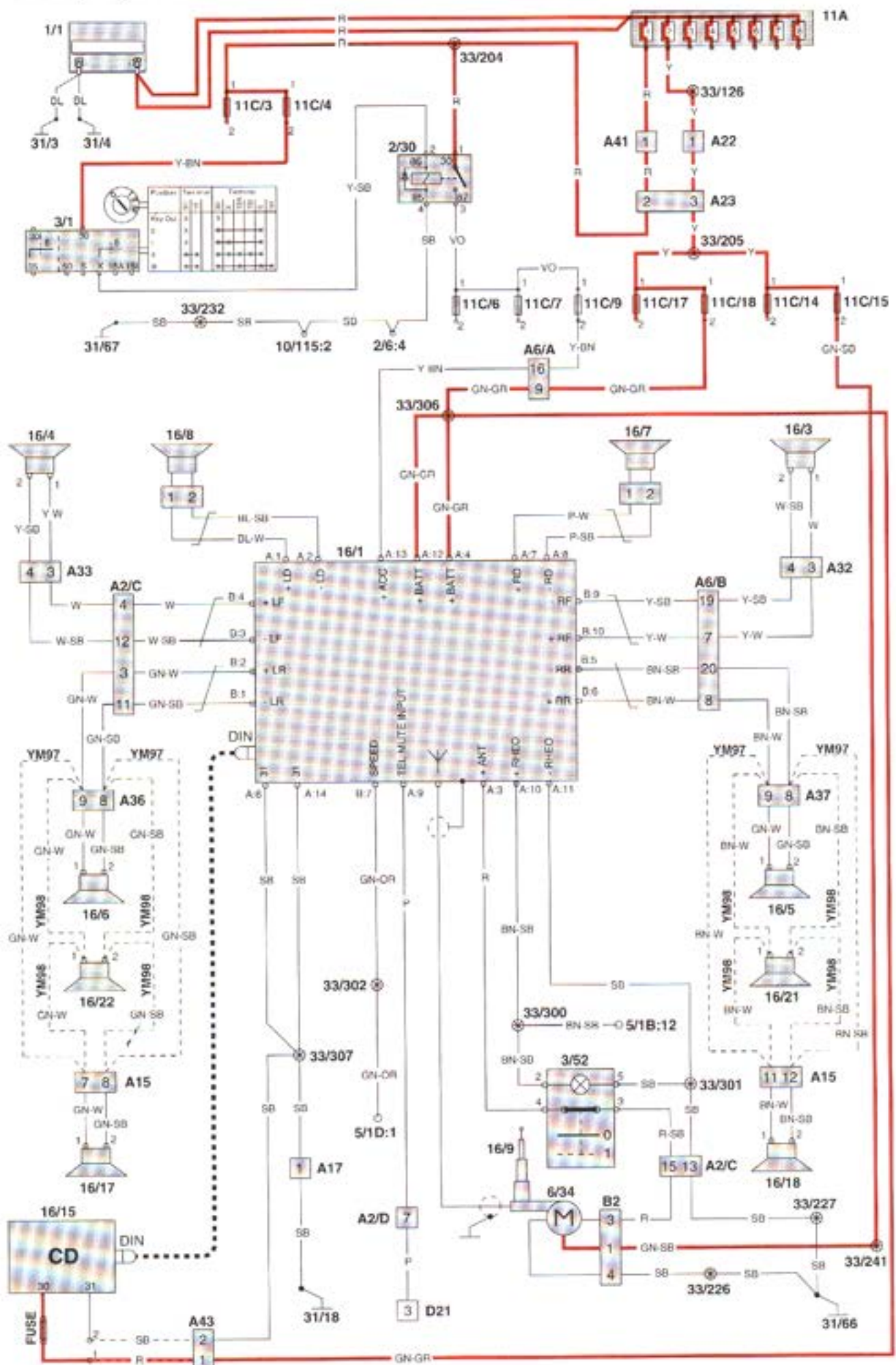


# Radio 4-door, left-hand drive cars

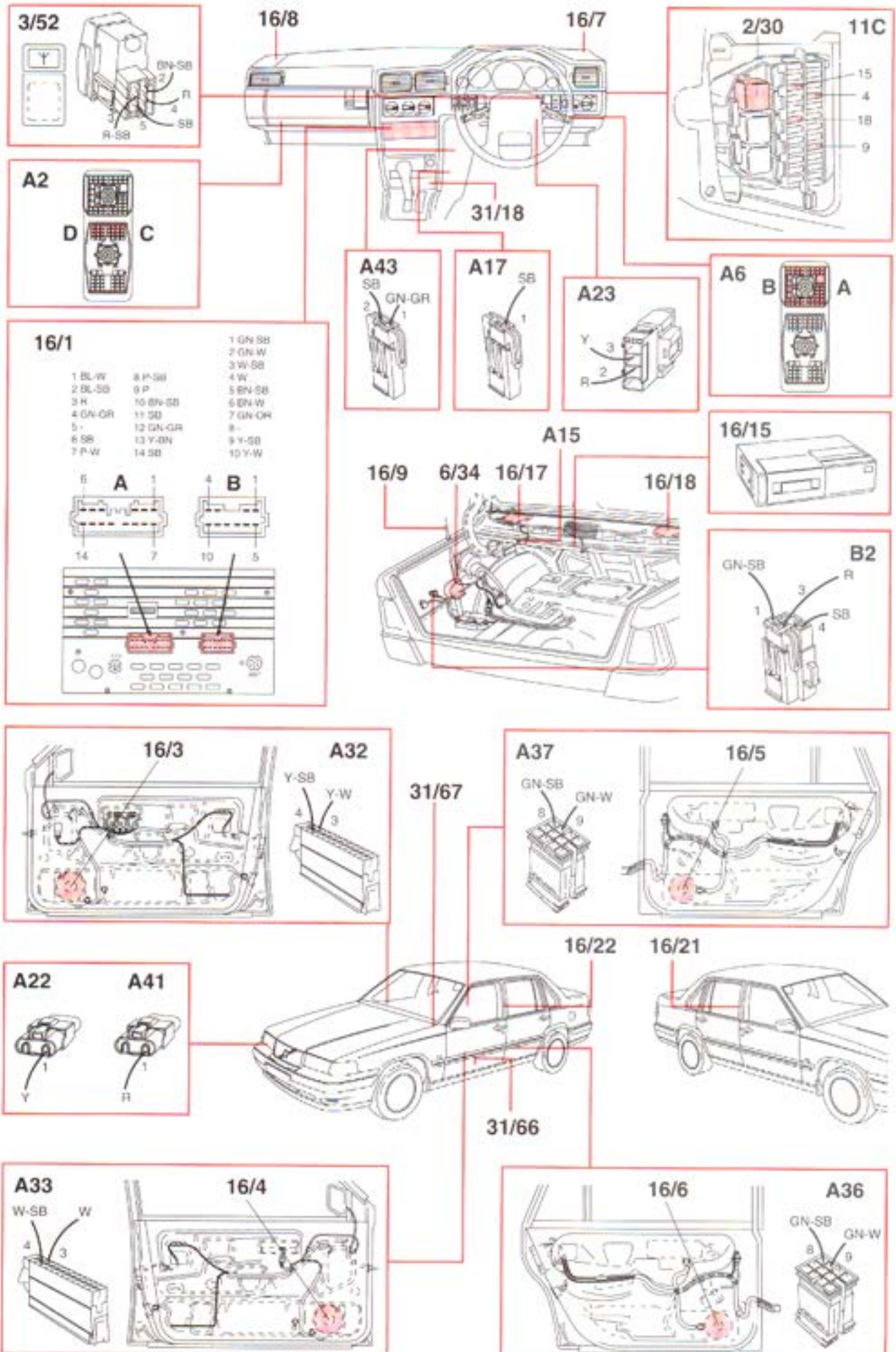


# Radio

## 4-door, right-hand drive cars

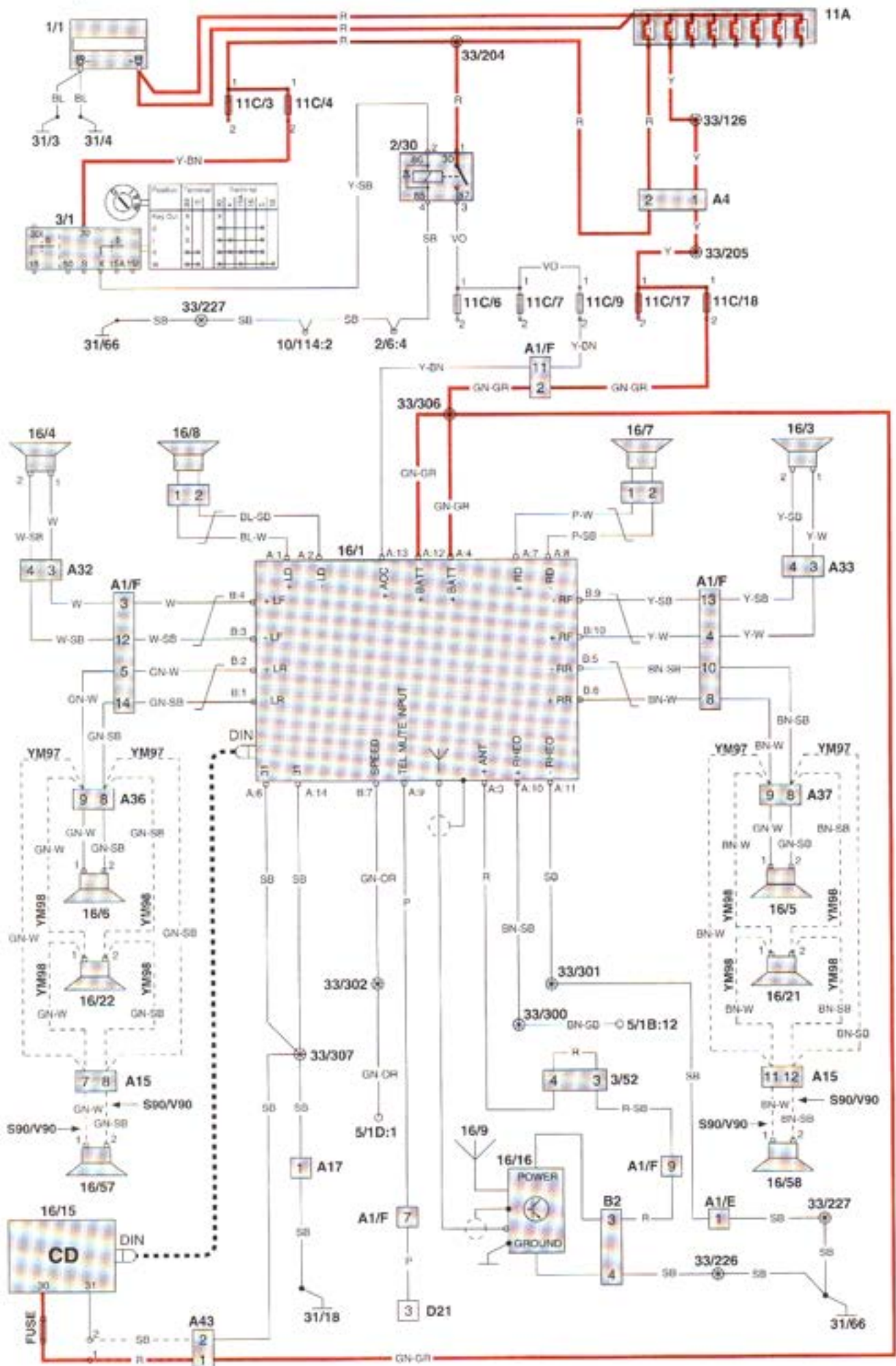


# Radio 4-door, right-hand drive cars

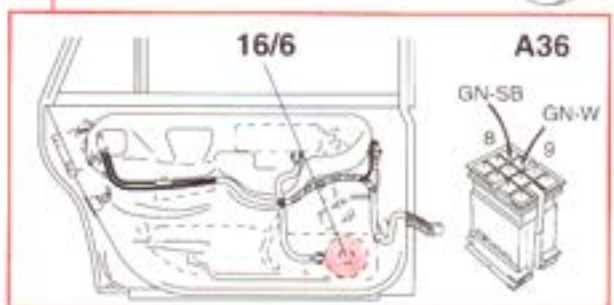
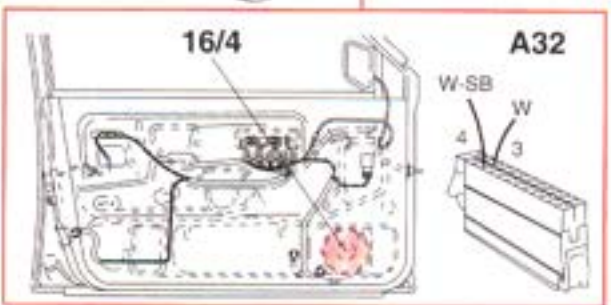
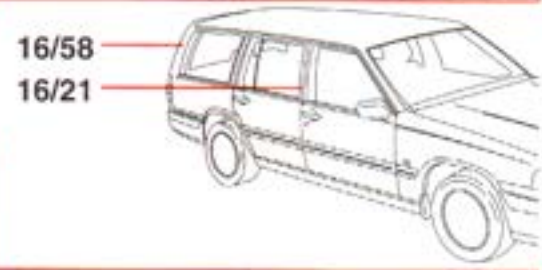
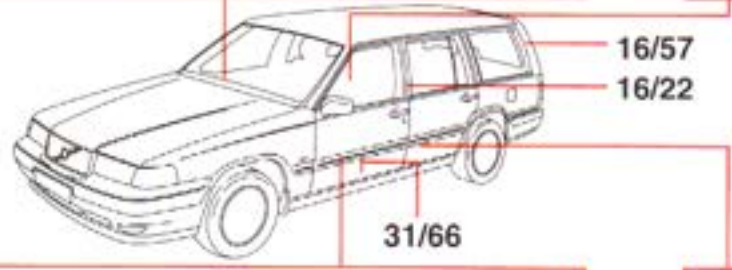
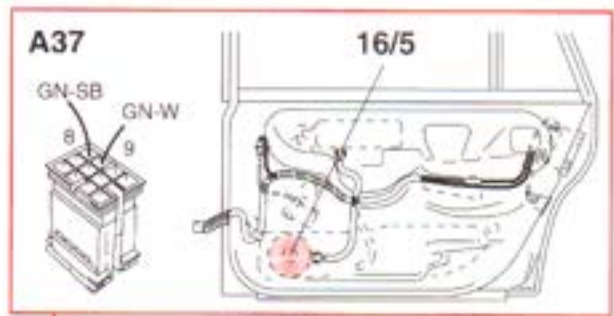
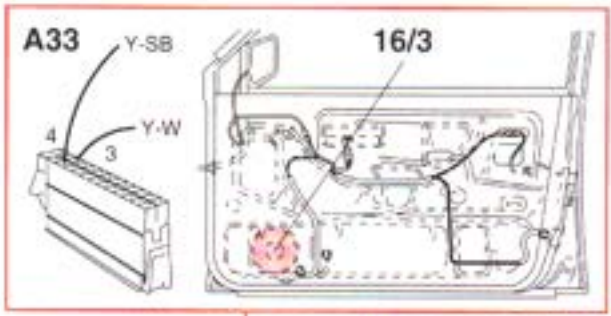
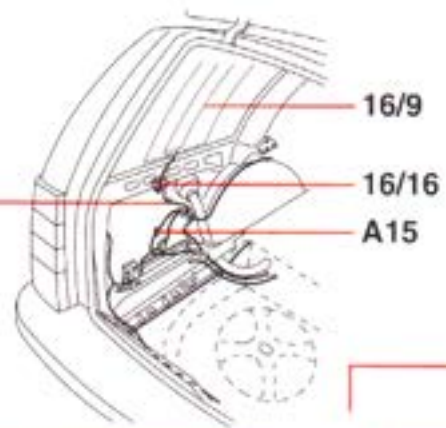
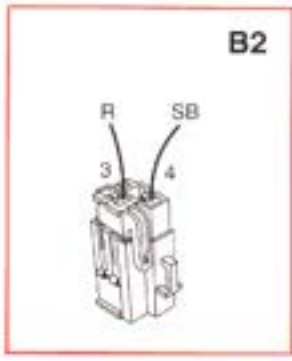
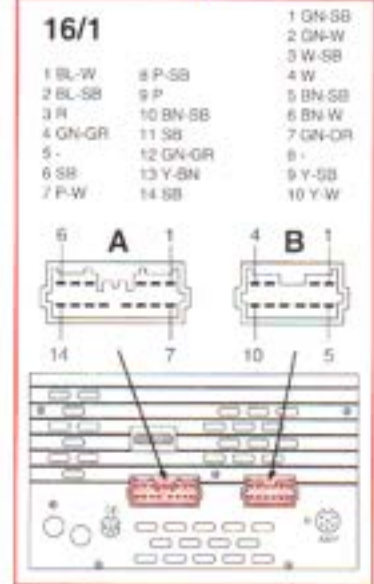
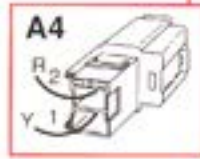
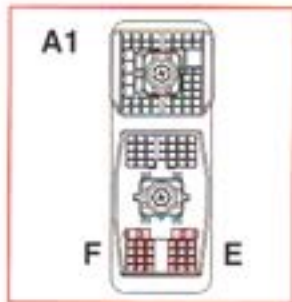
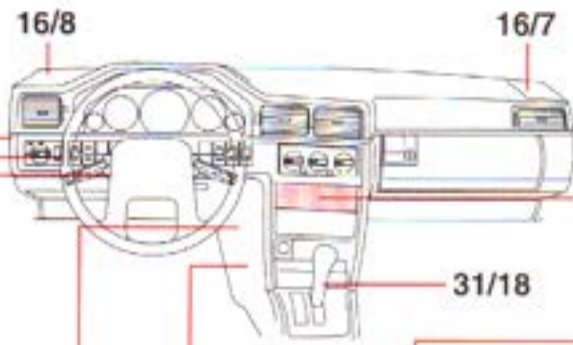
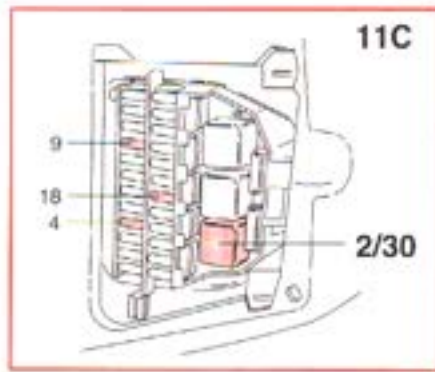


# Radio

## 5-door, left-hand drive cars

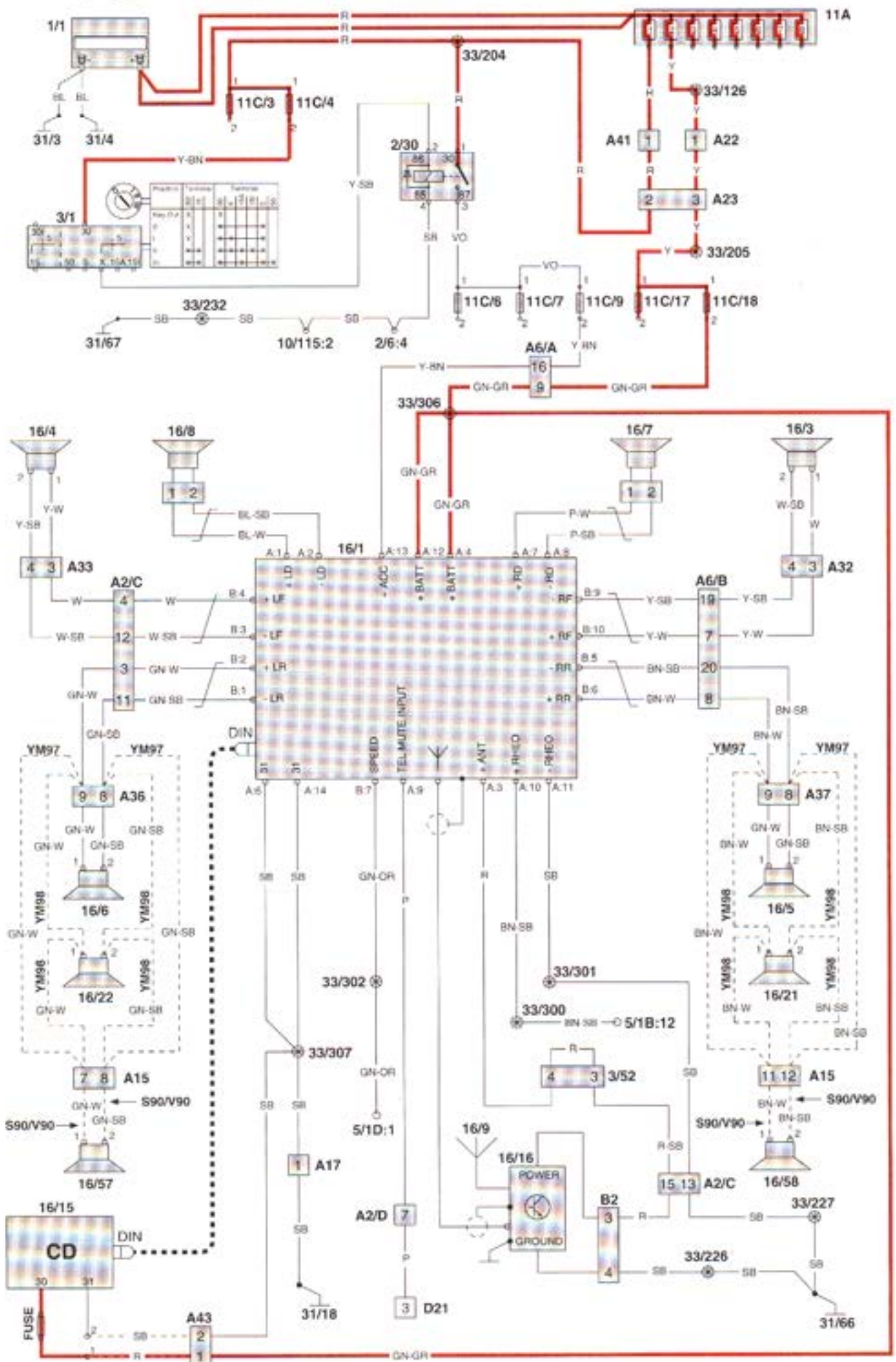


# Radio 5-door, left-hand drive cars

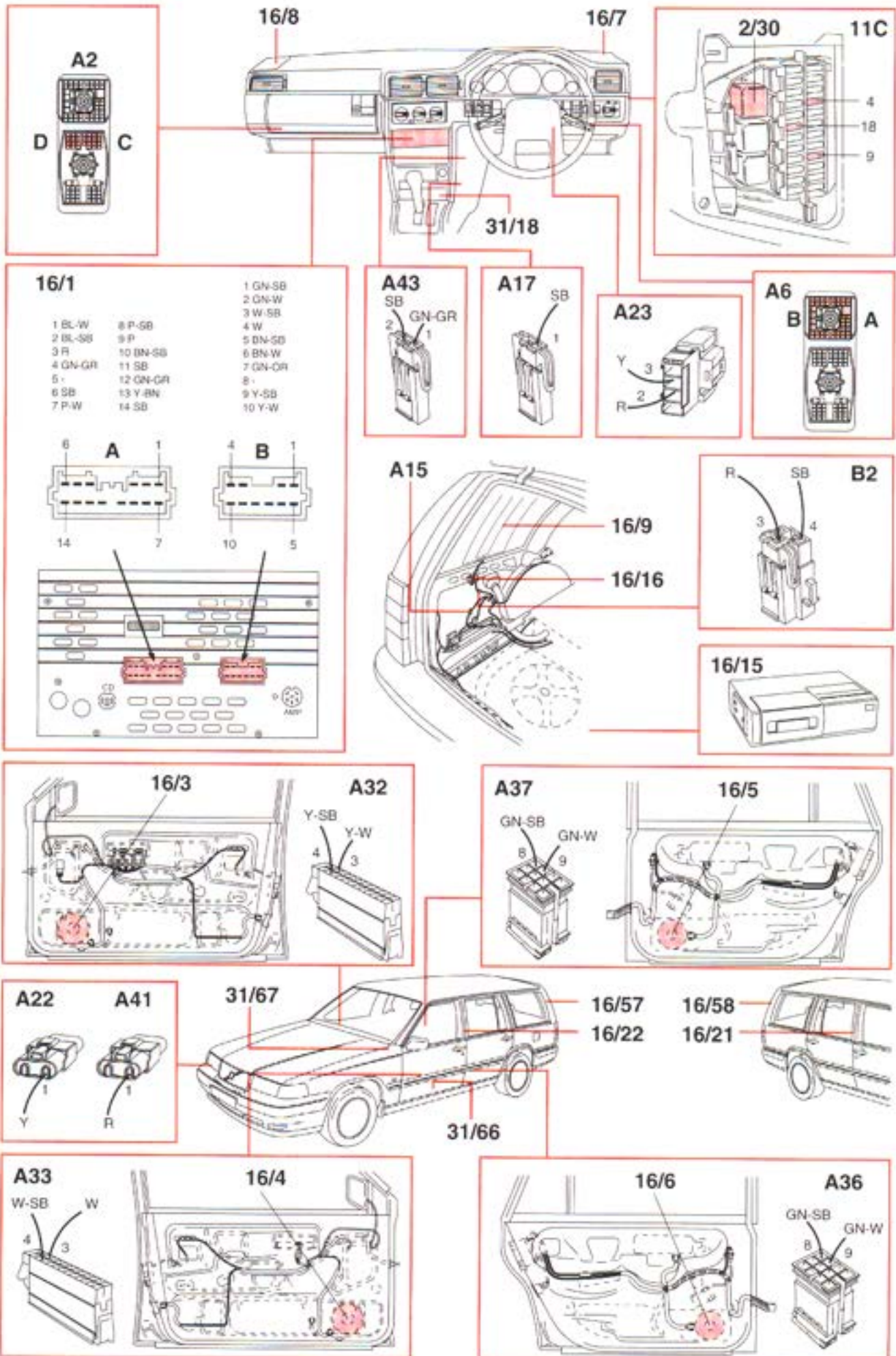


# Radio

## 5-door, right-hand drive cars

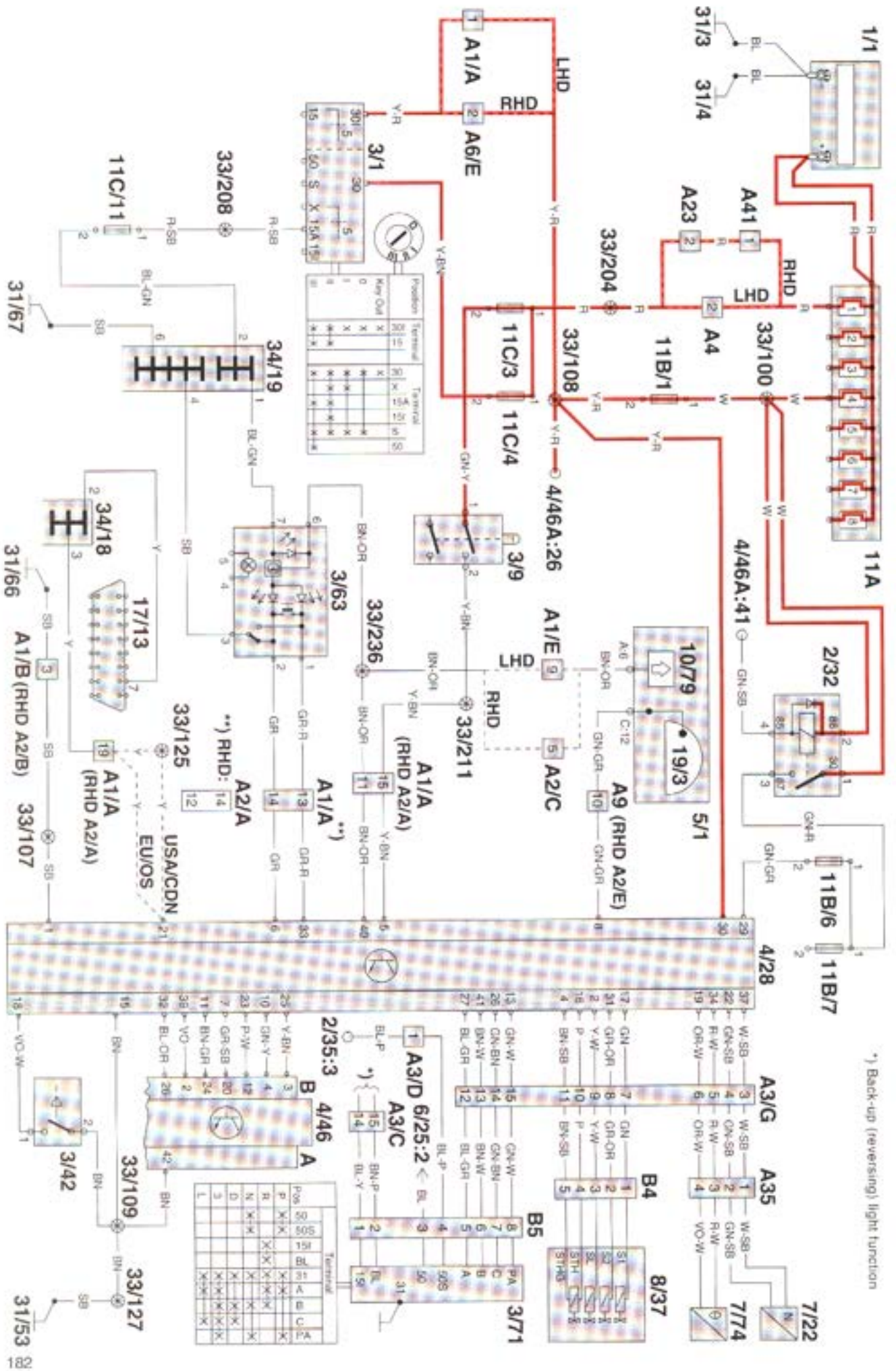


# Radio 5-door, right-hand drive cars

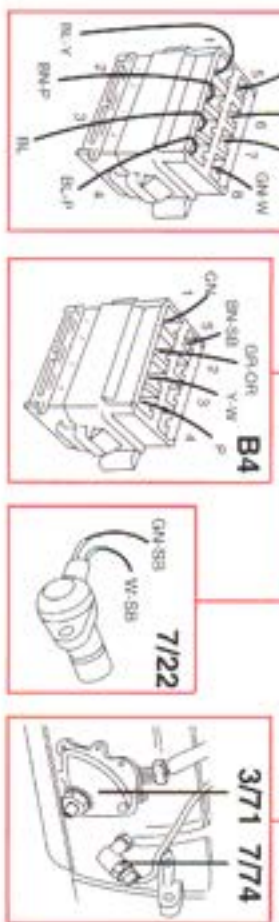
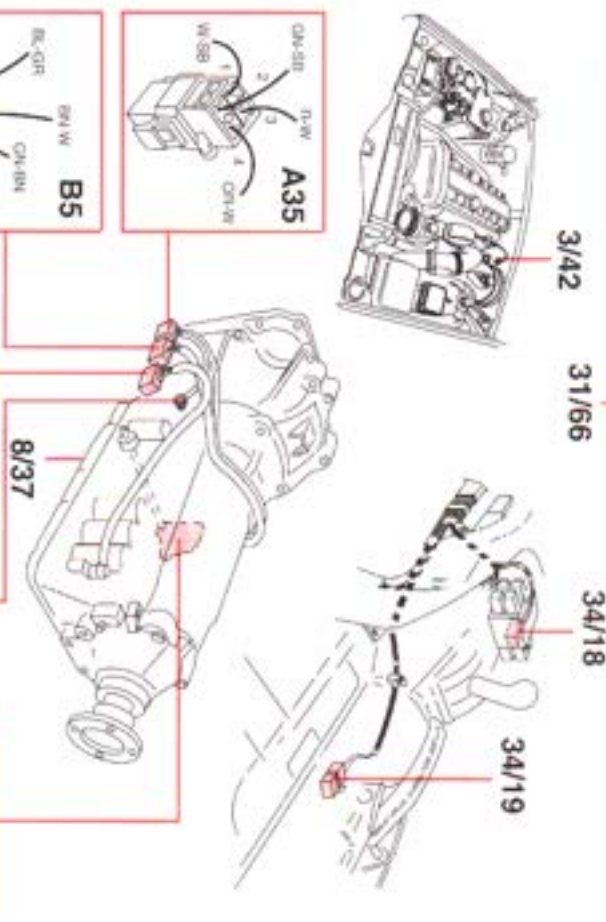
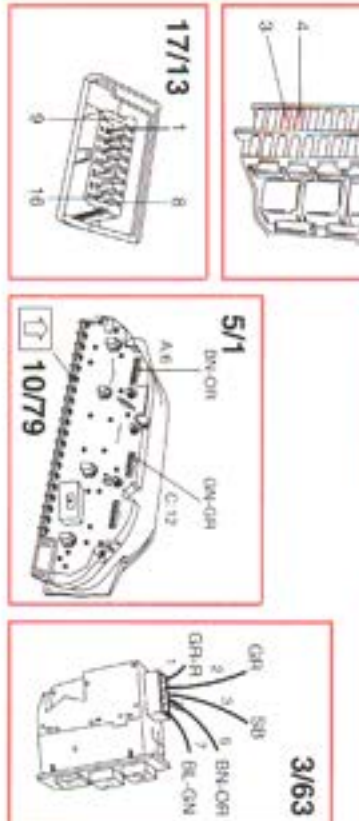
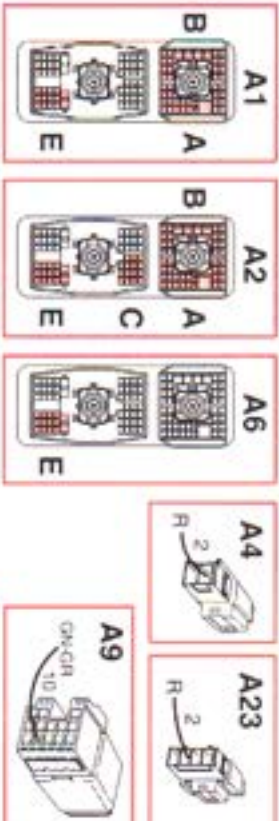
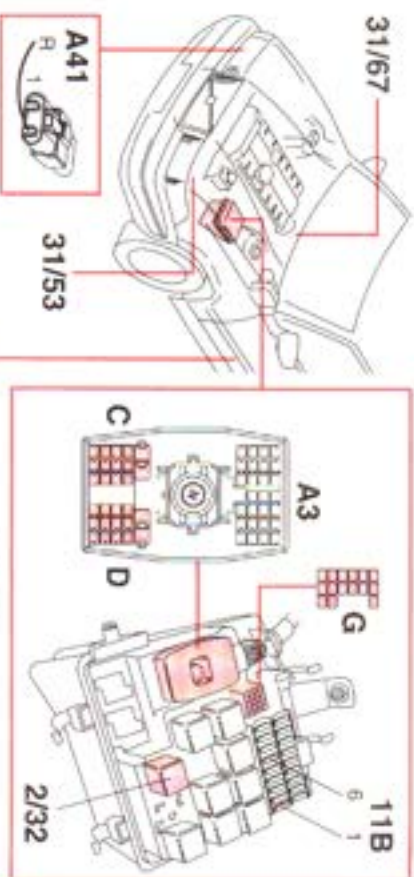
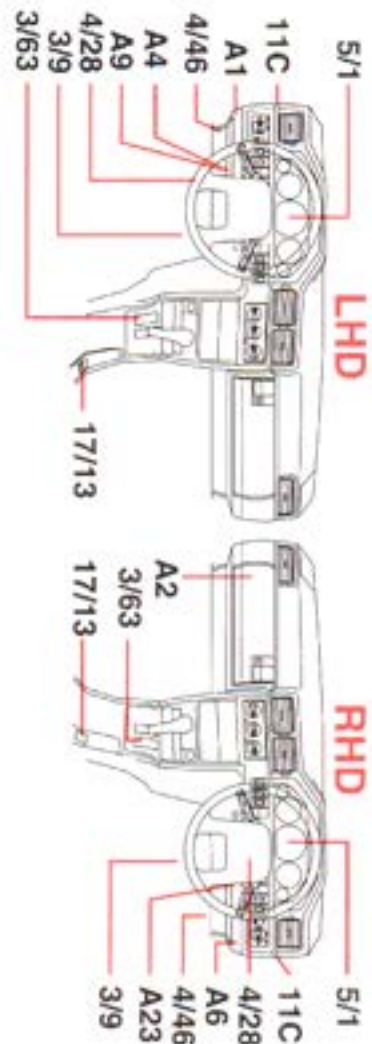


# Electronically controlled automatic transmission AW 30-40/43

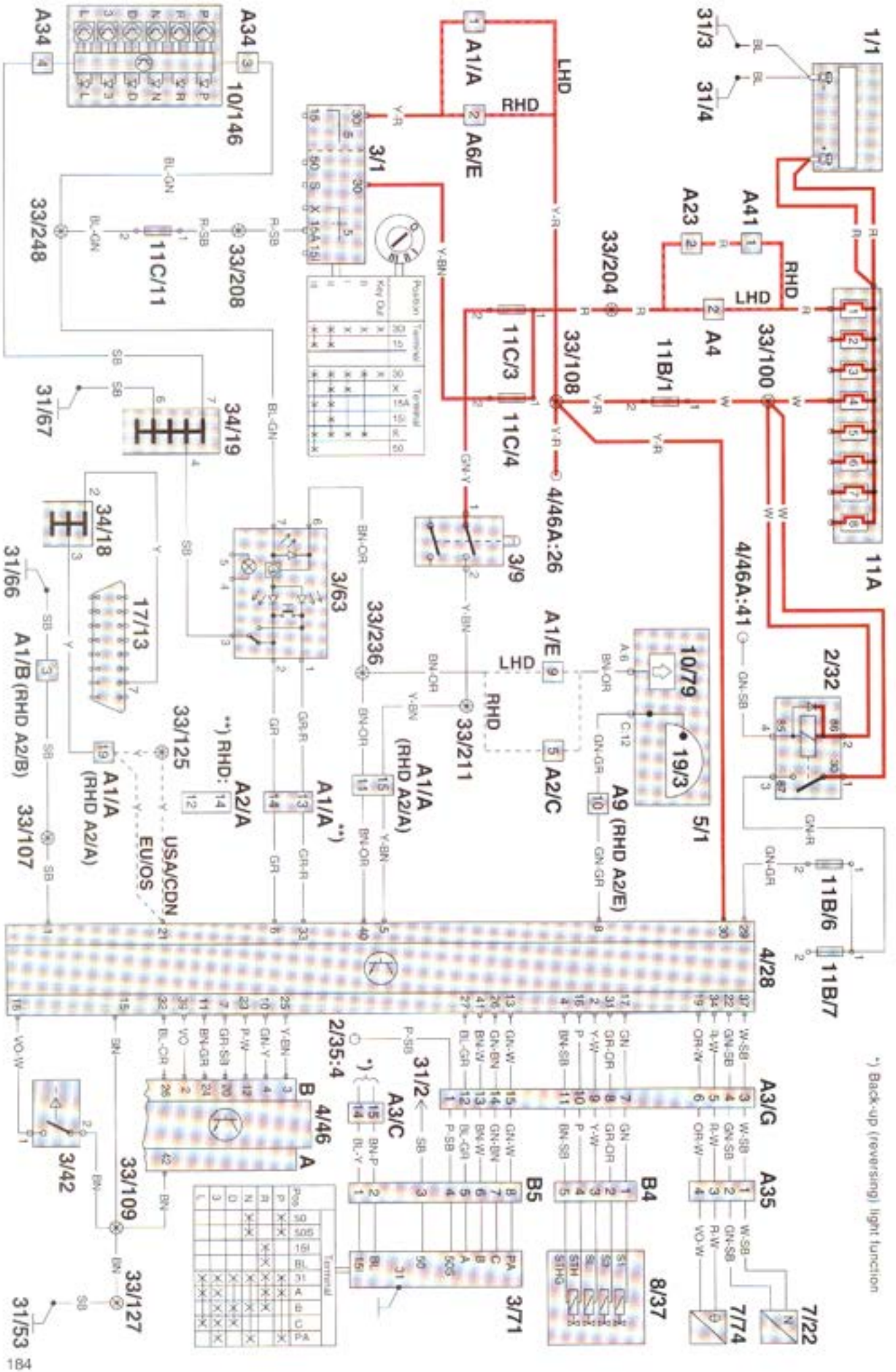
960



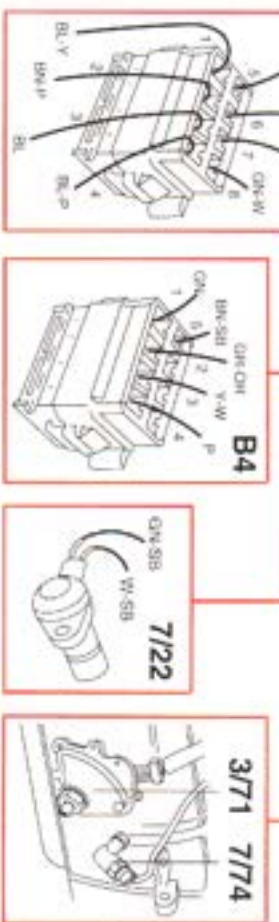
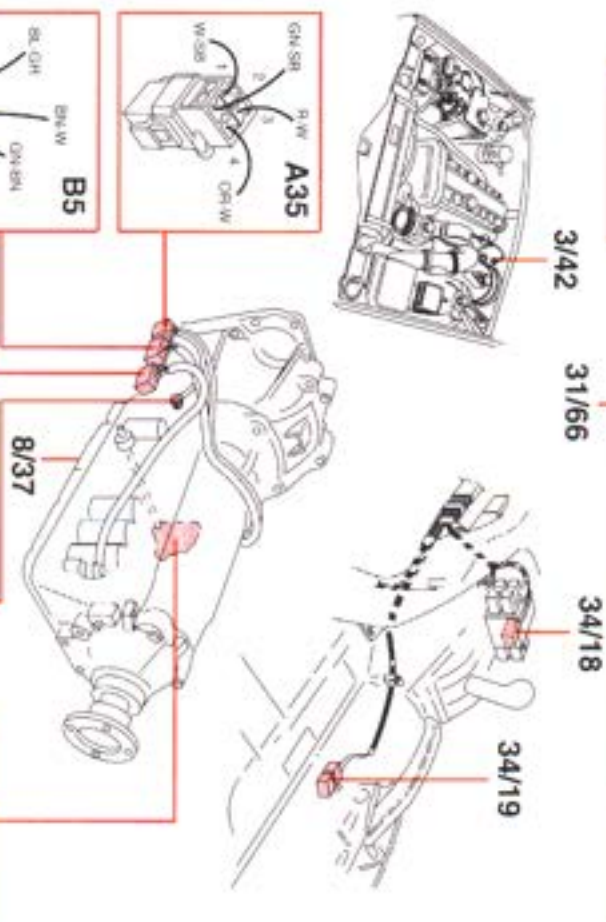
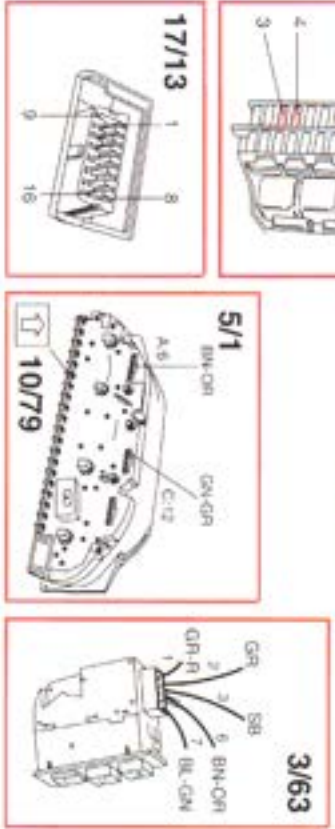
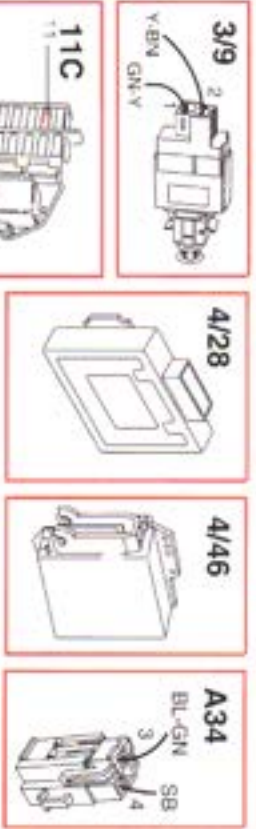
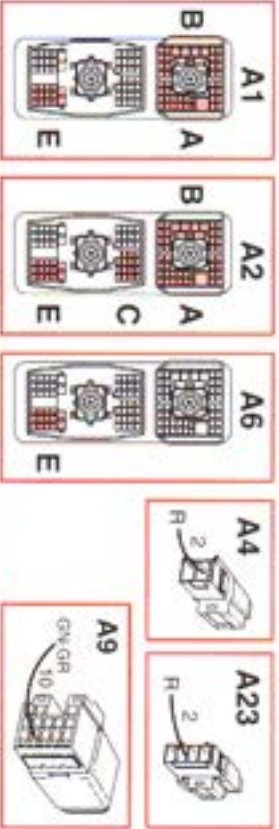
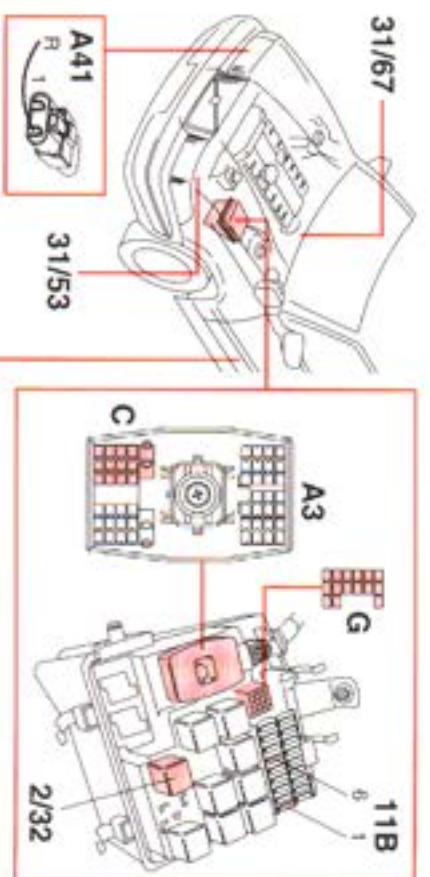
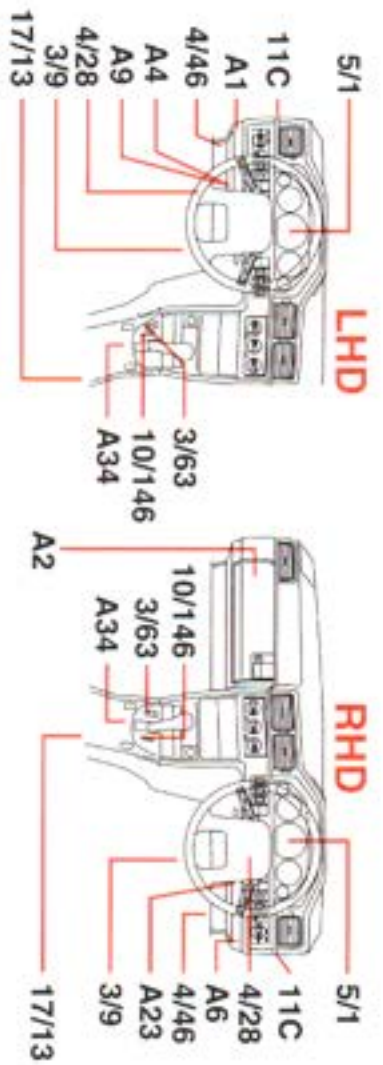
\*) Back-up (reversing) light function



# Electronically controlled automatic transmission AW 30-40/43 S90/V90

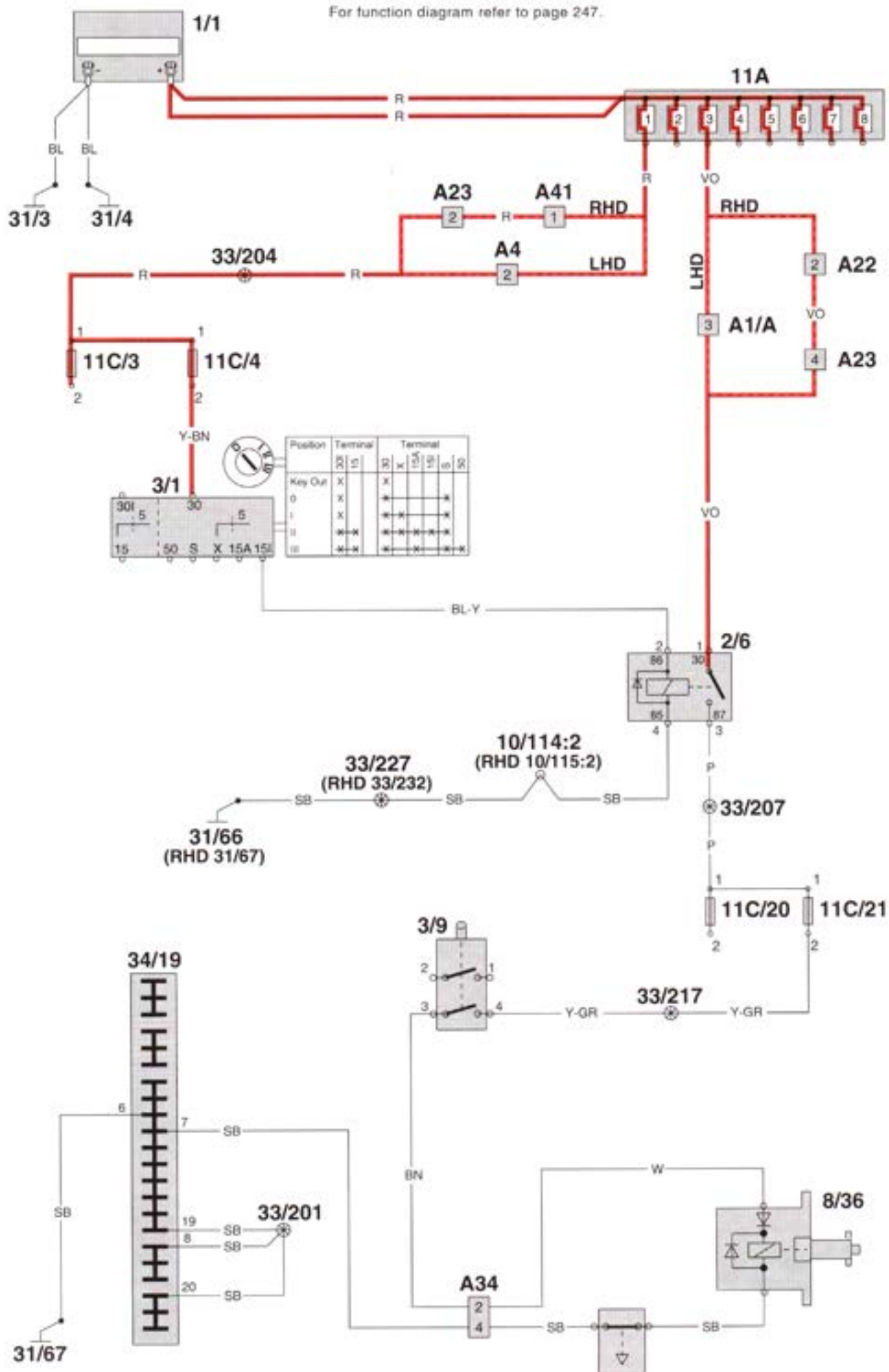


# Electronically controlled automatic transmission AW 30-40/43 S90/V90

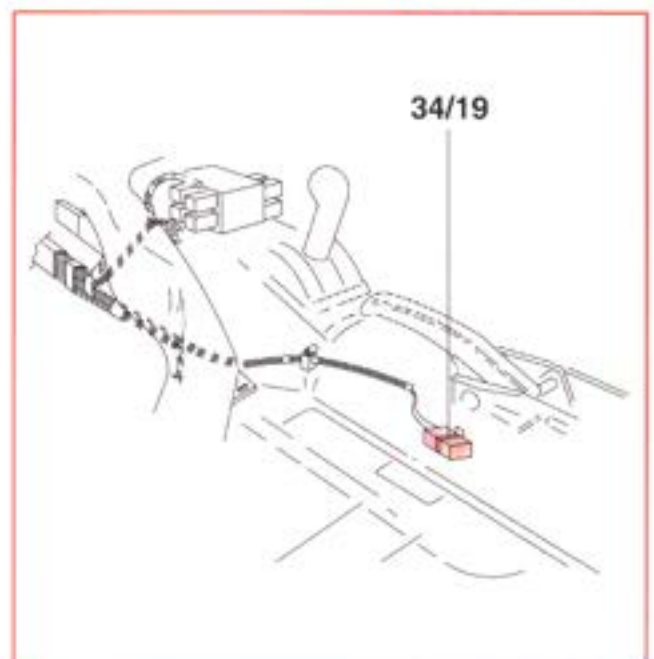
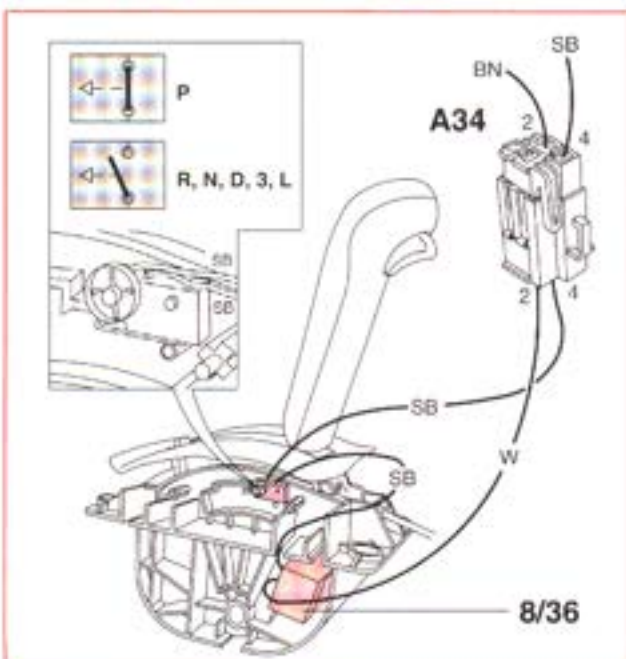
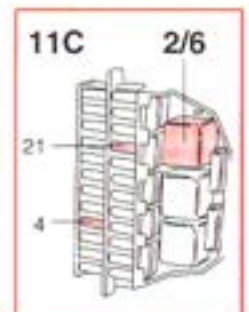
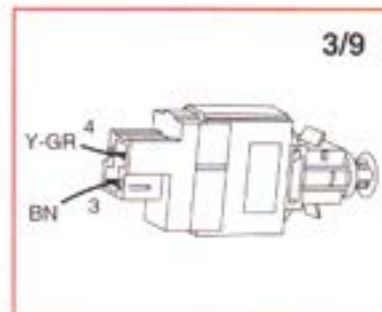
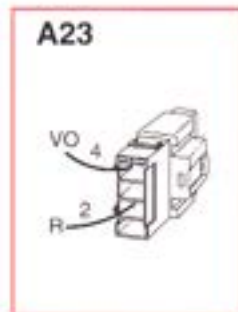
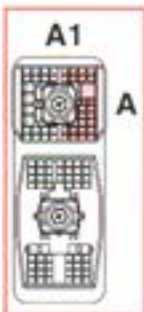
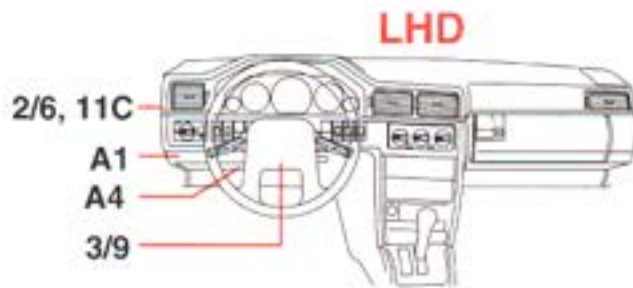
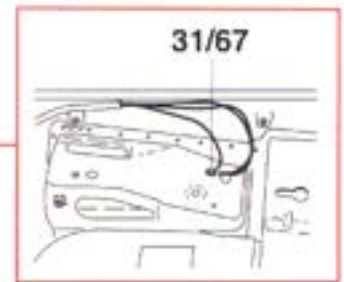
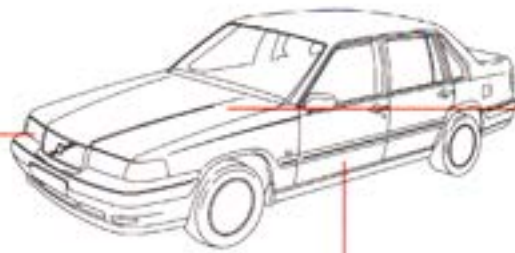
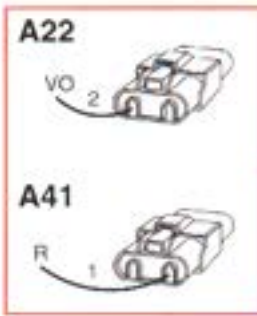


# P-shift lock automatic transmission

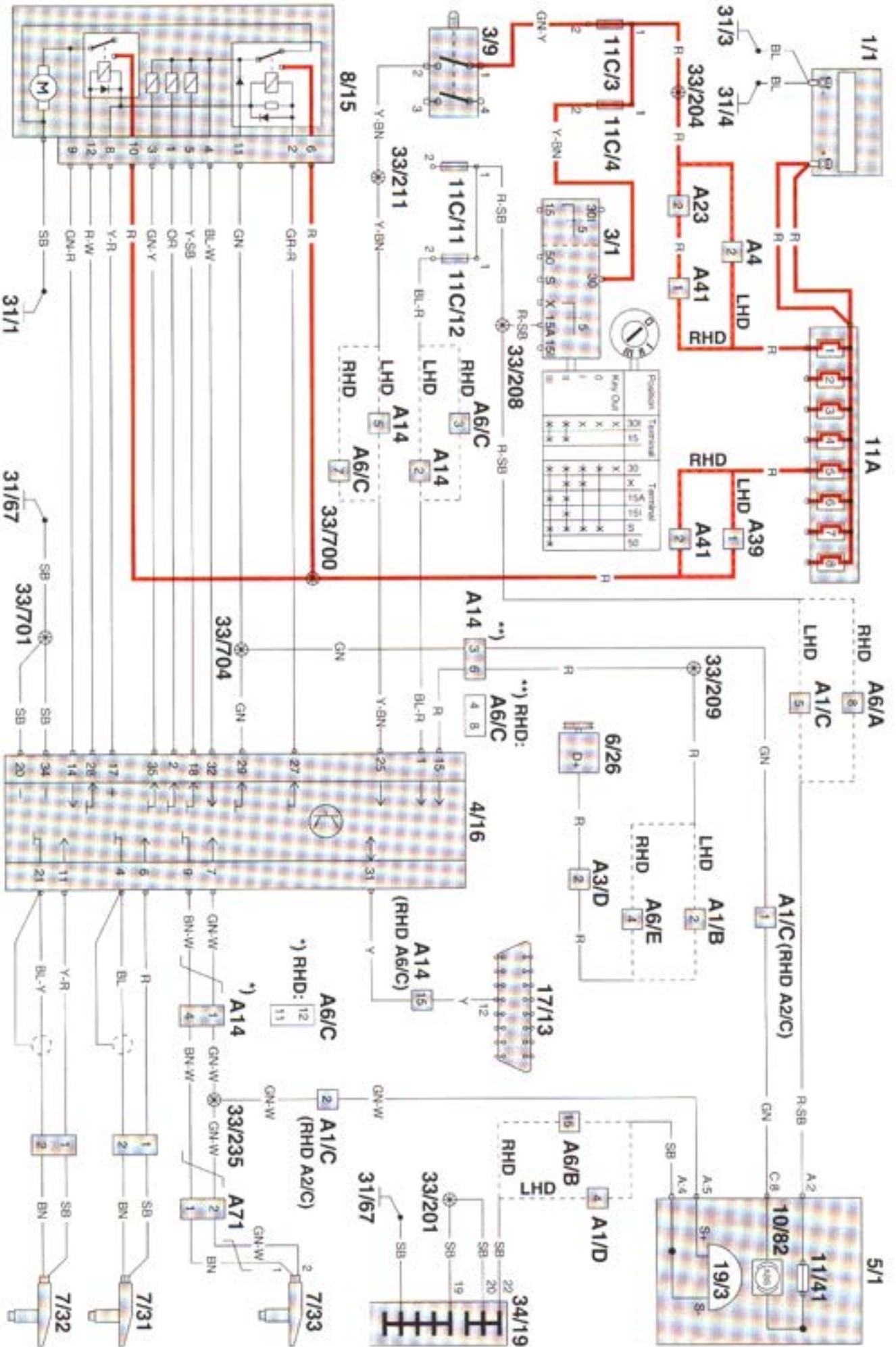
For function diagram refer to page 247.



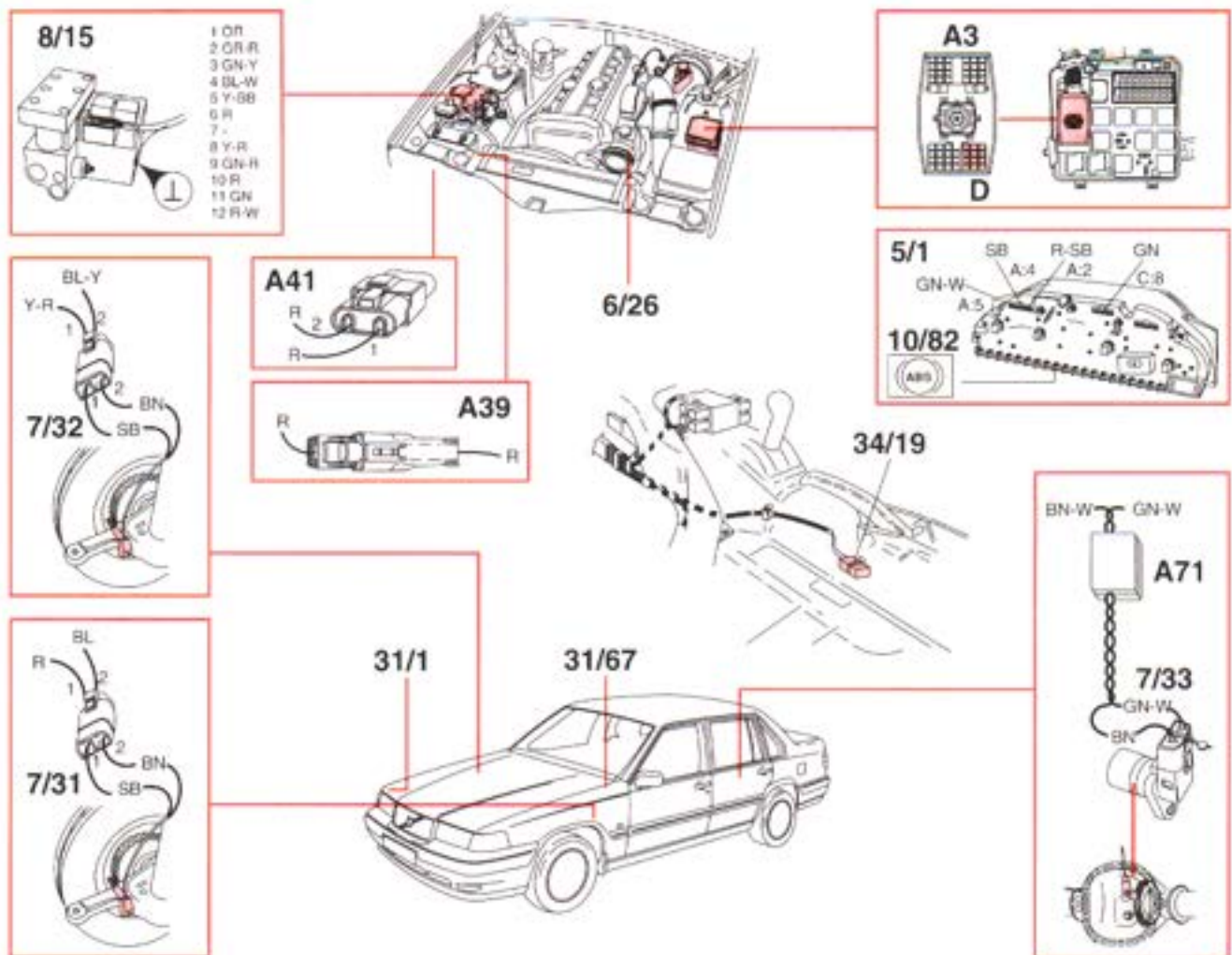
# P-shift lock automatic transmission



# ABS Anti-lock braking system

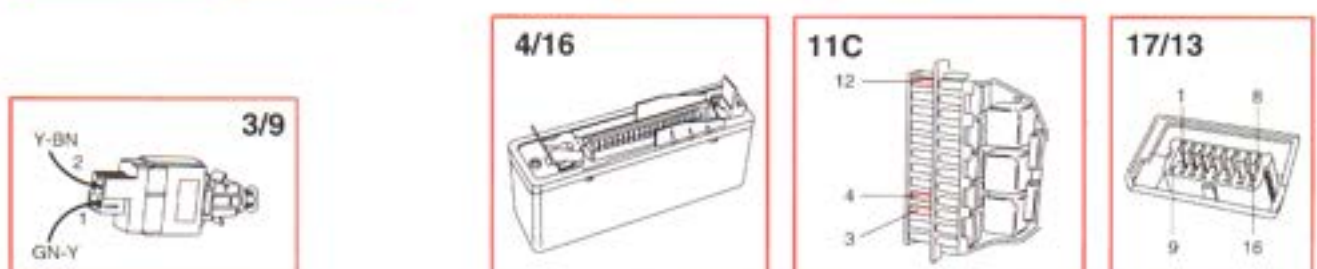
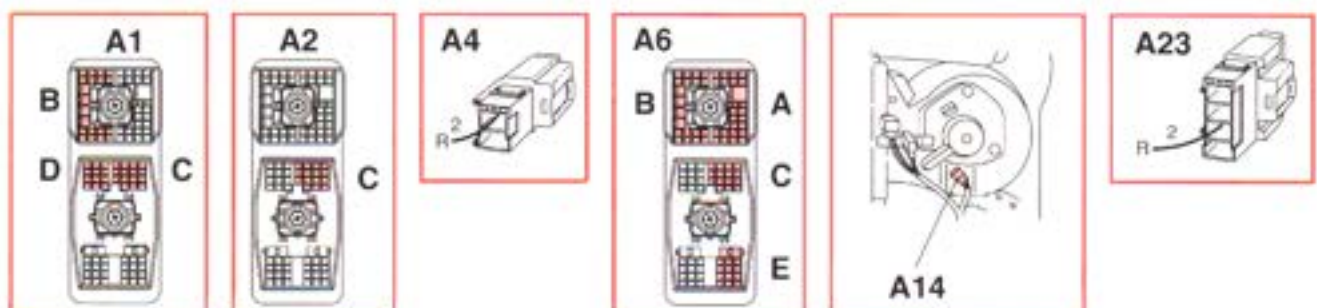
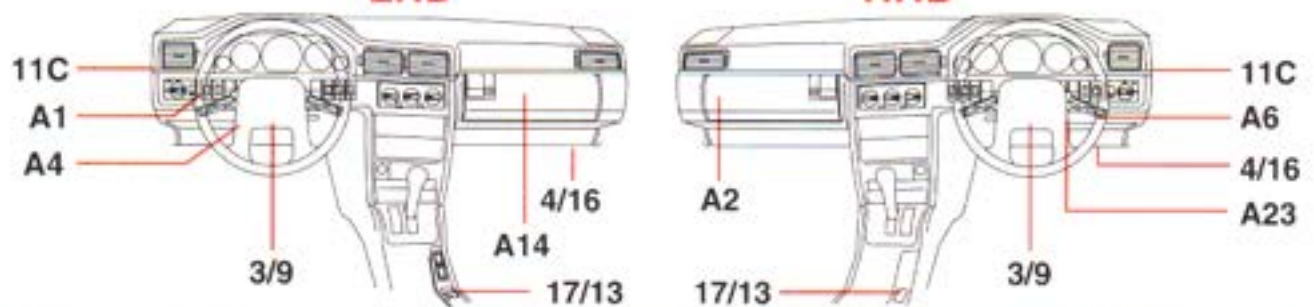


# ABS Anti-lock braking system



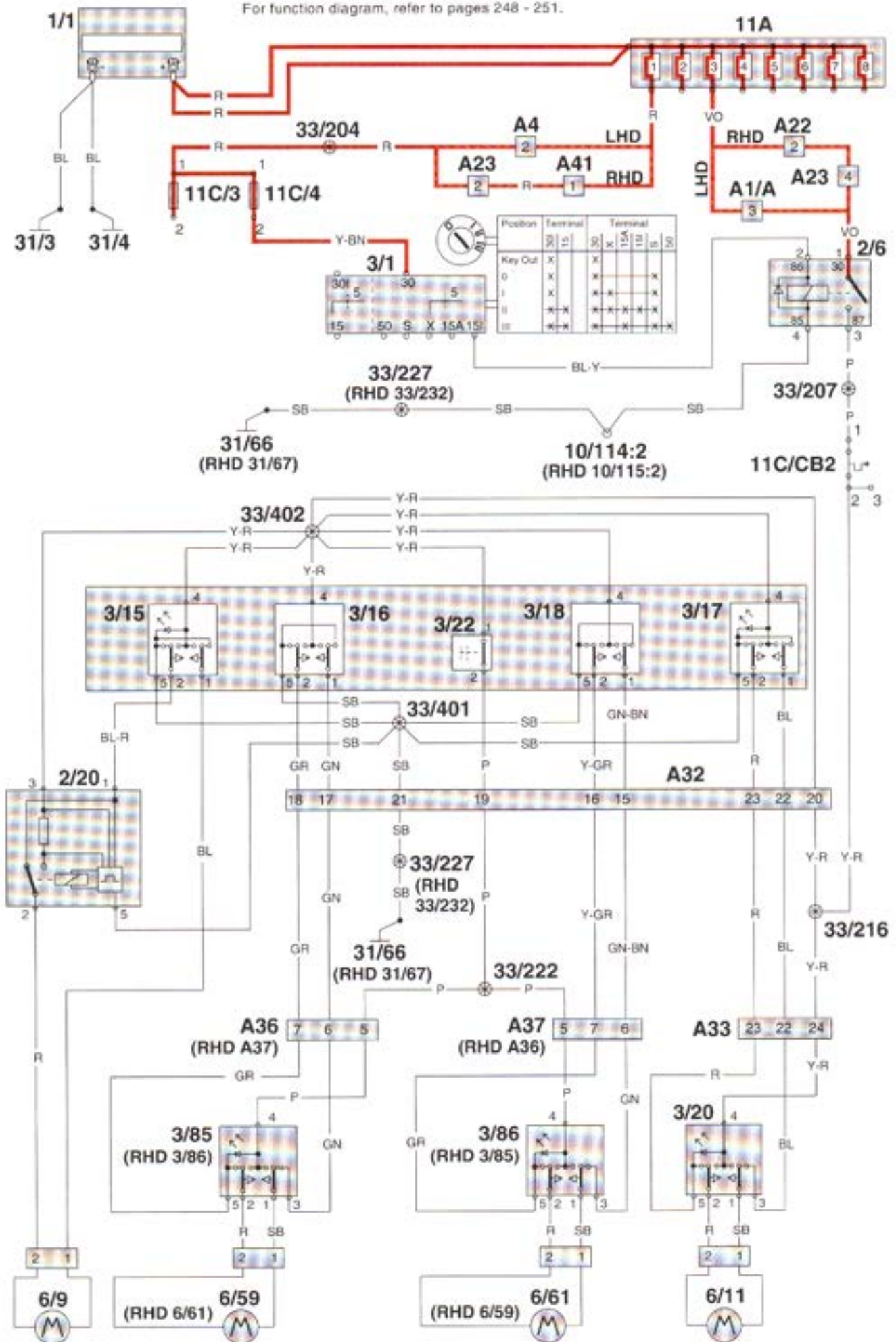
**LHD**

**RHD**



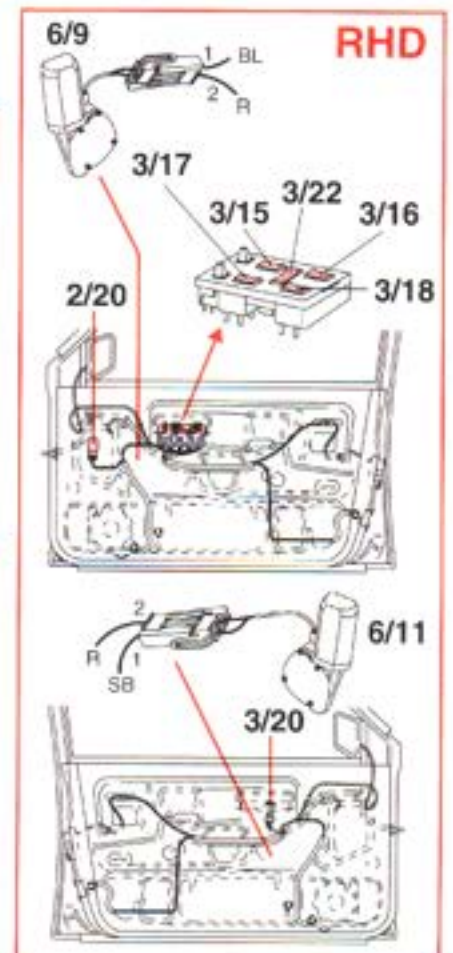
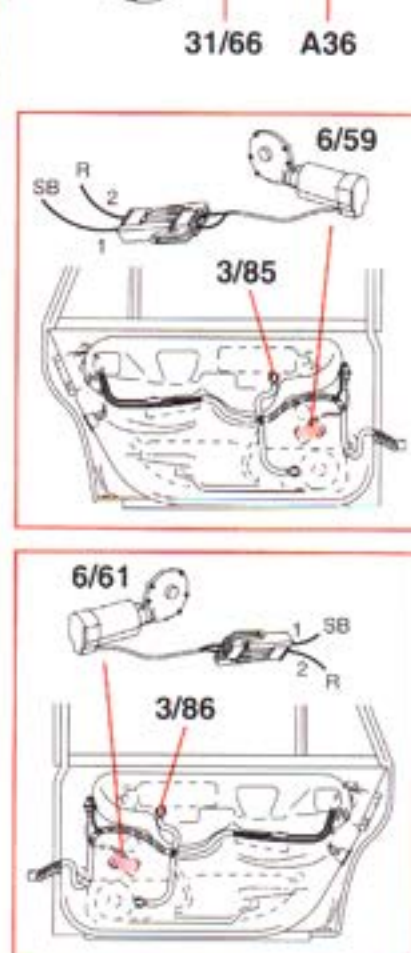
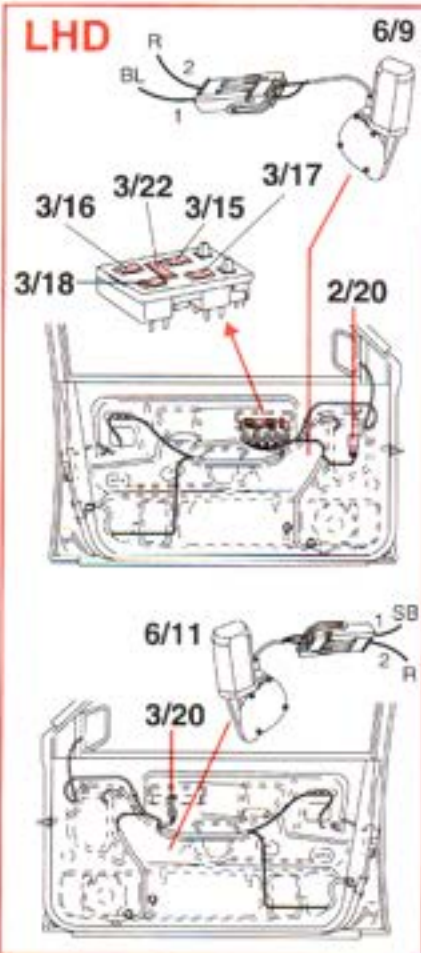
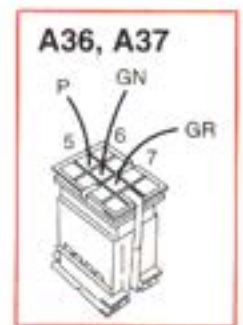
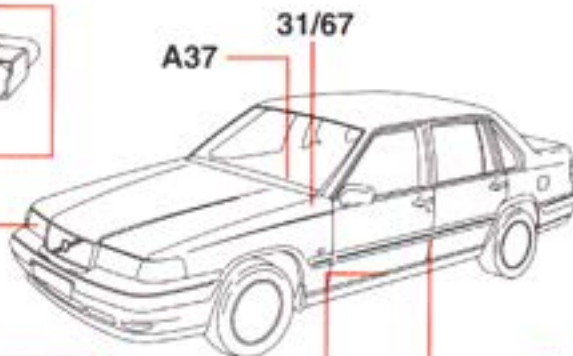
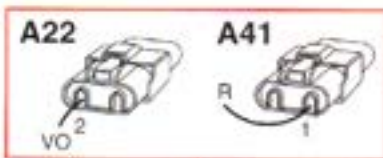
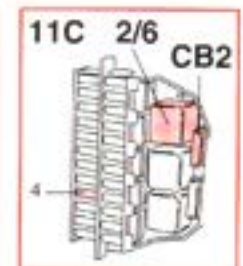
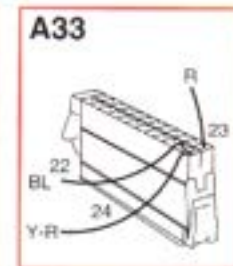
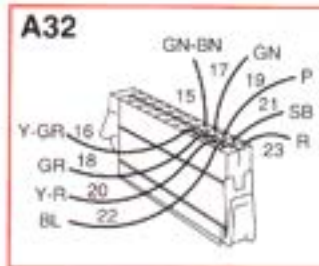
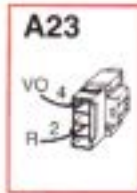
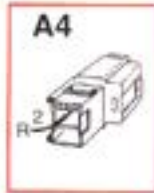
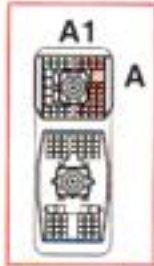
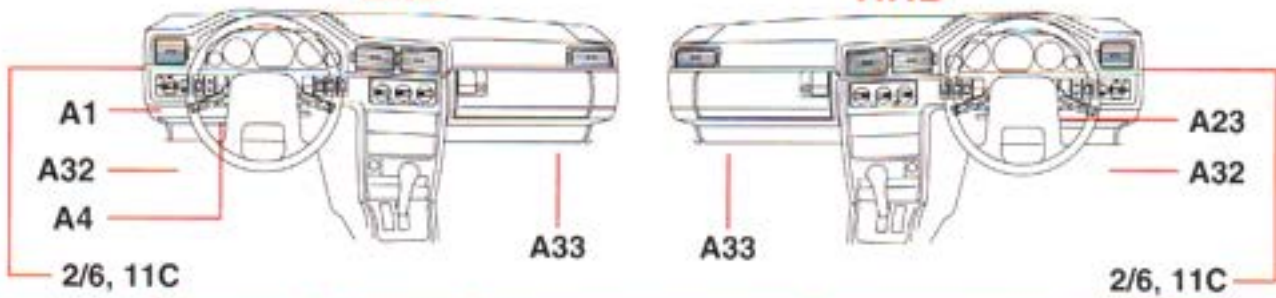
# Power windows

For function diagram, refer to pages 248 - 251.

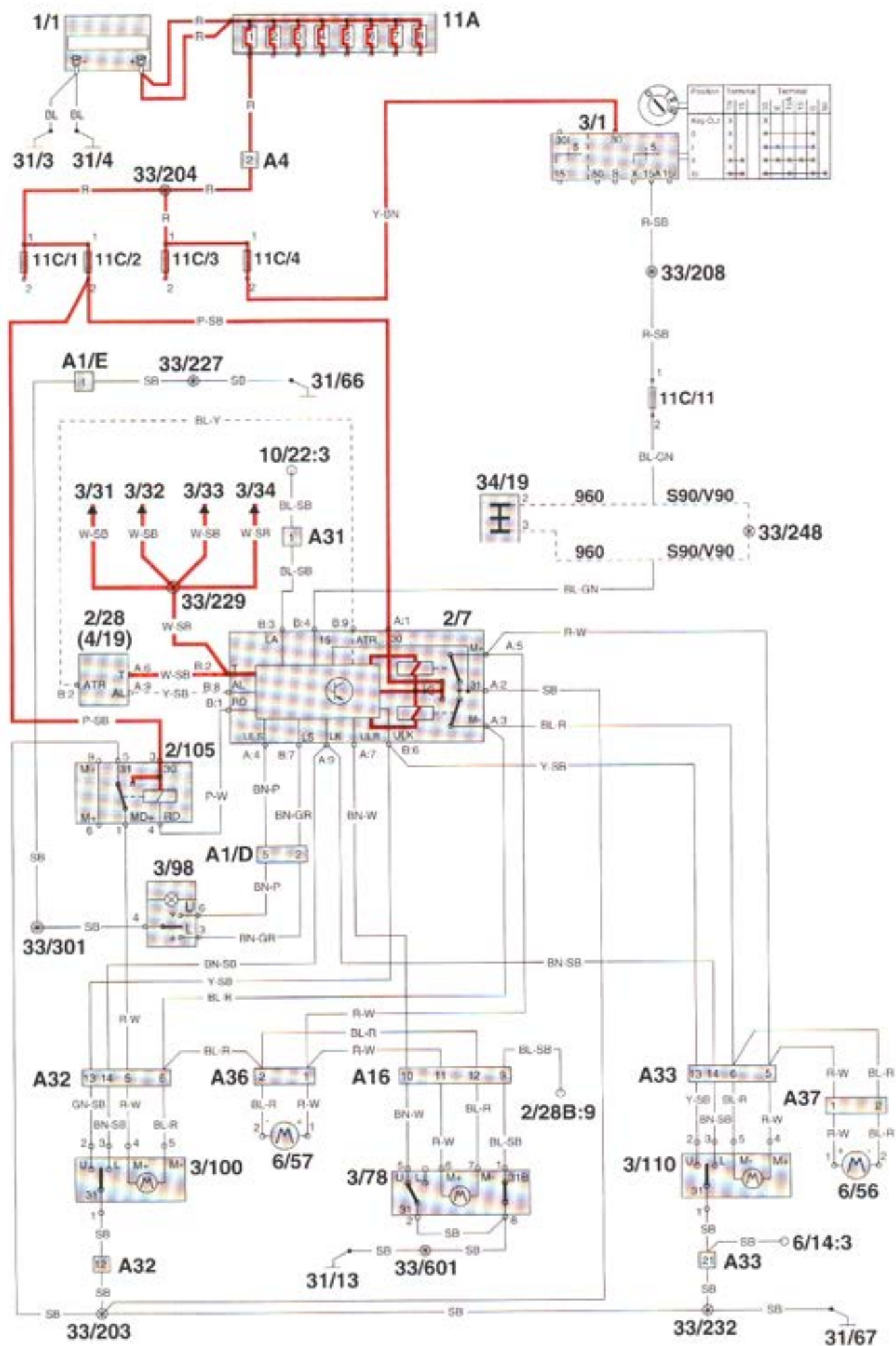


LHD

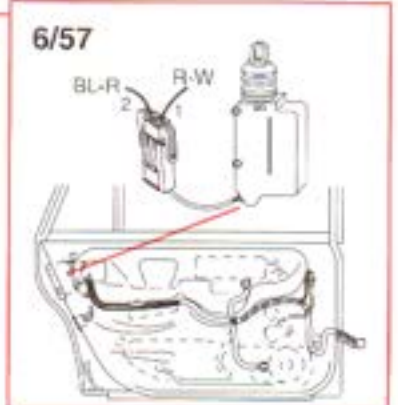
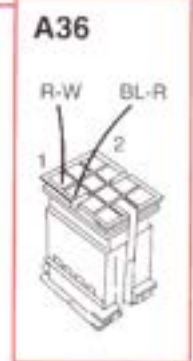
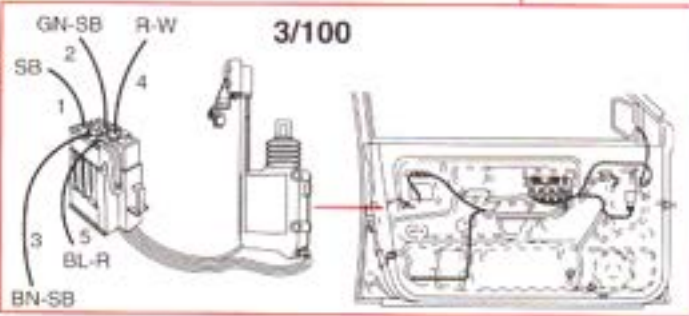
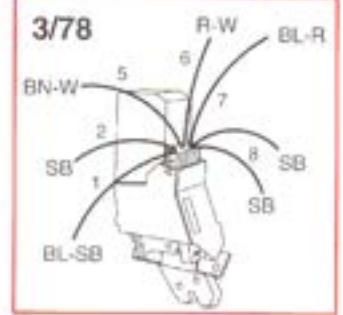
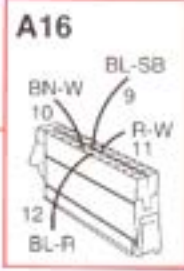
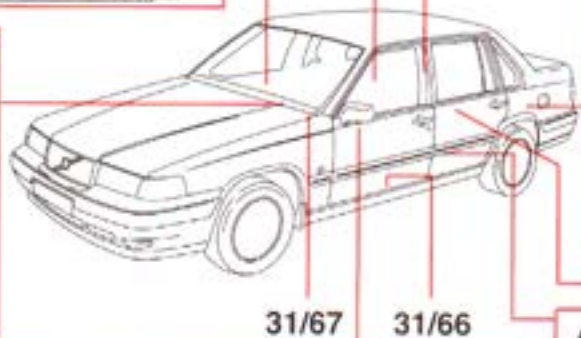
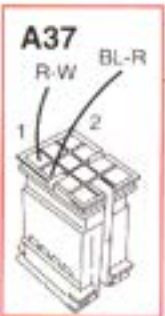
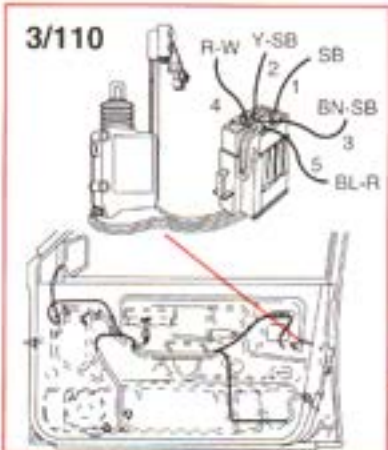
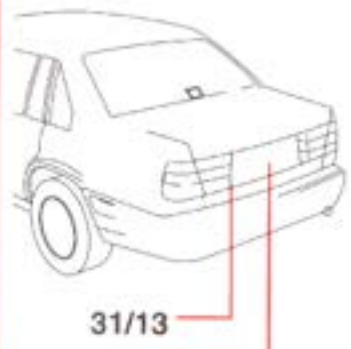
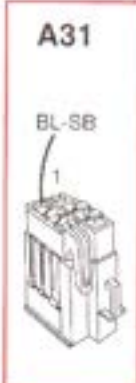
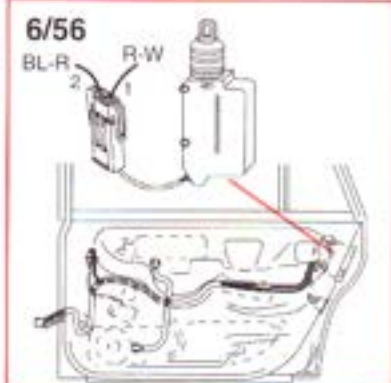
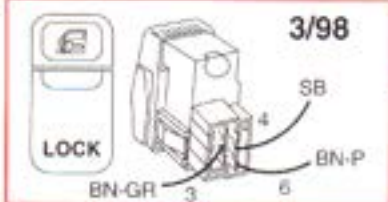
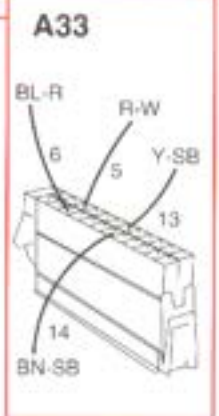
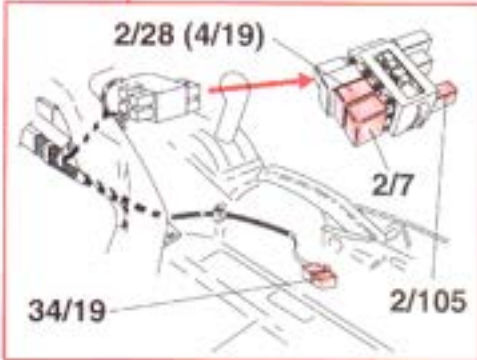
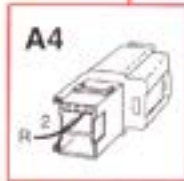
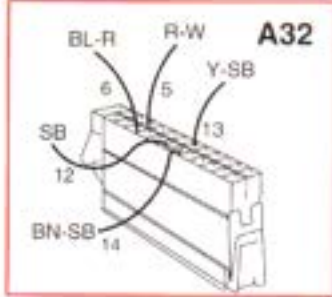
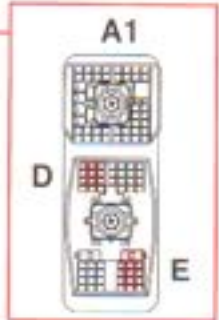
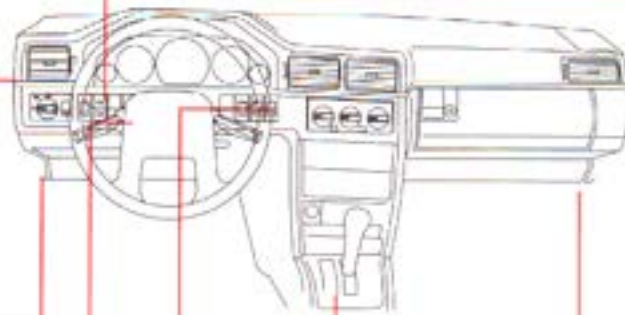
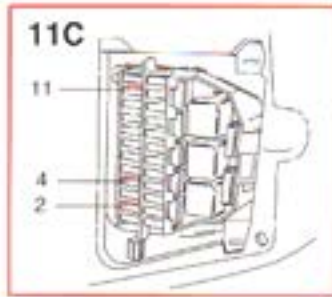
RHD



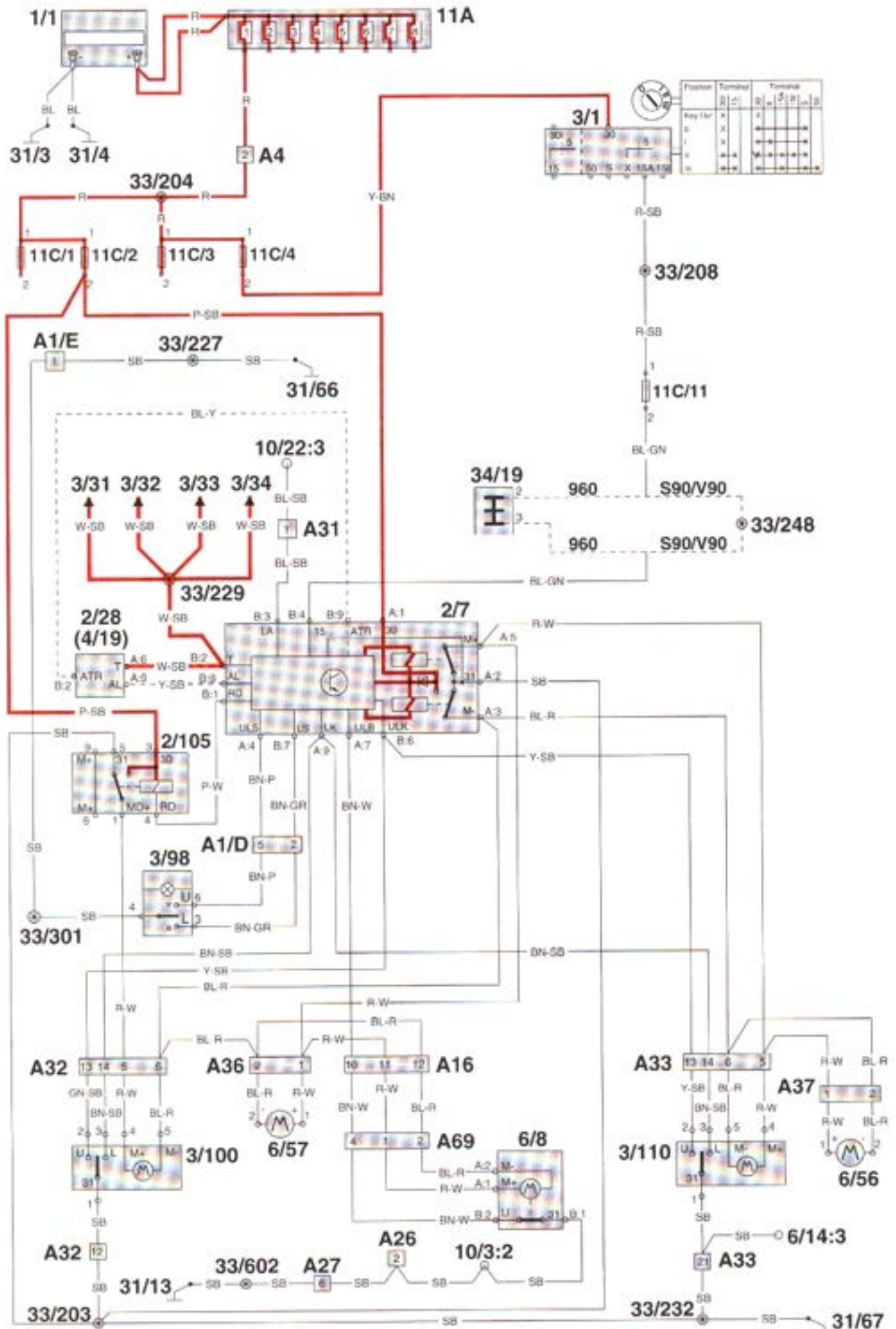
# Central locking USA and Canada, 4-door



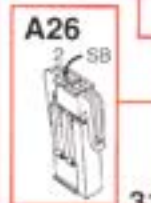
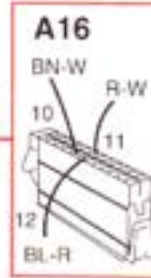
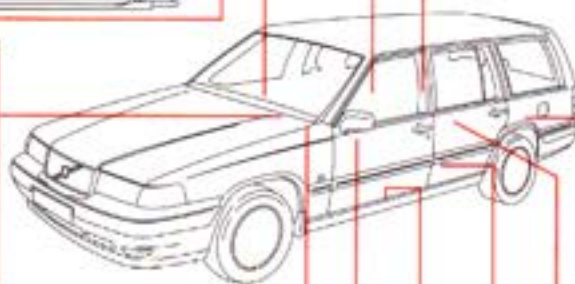
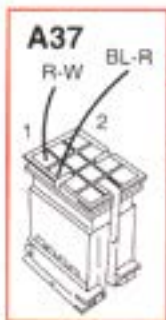
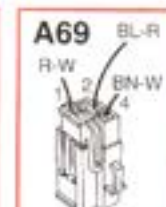
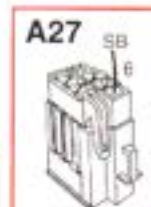
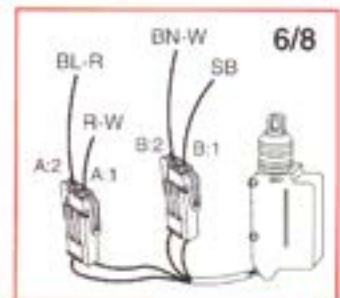
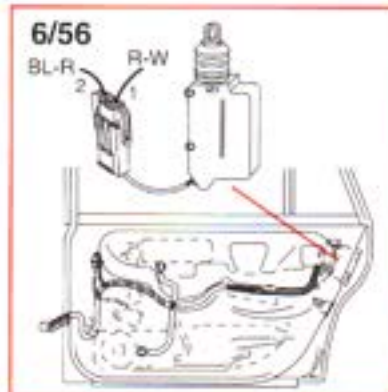
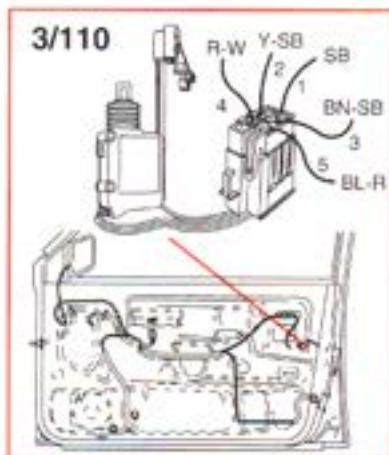
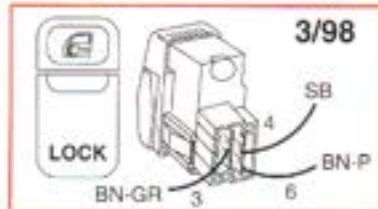
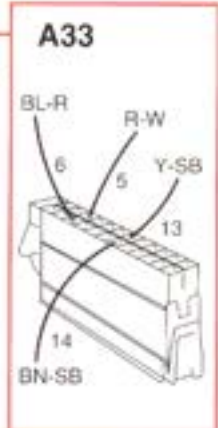
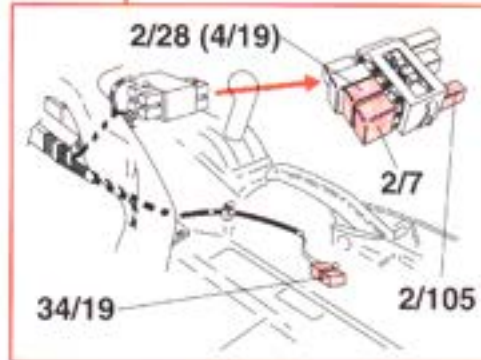
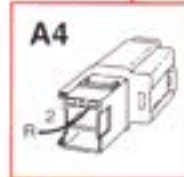
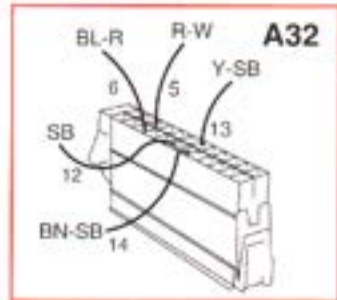
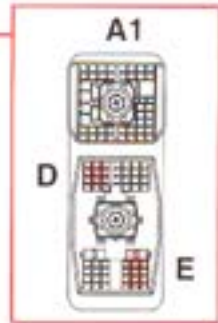
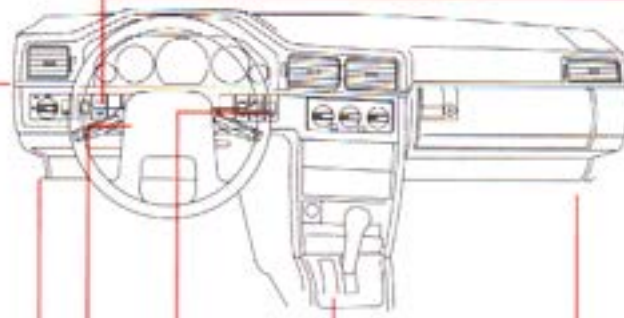
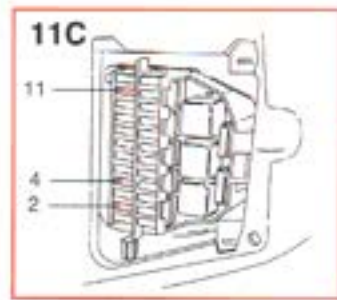
# Central locking USA and Canada, 4-door



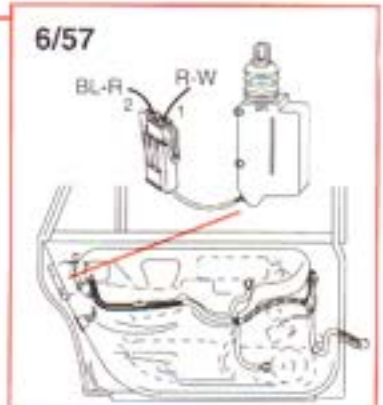
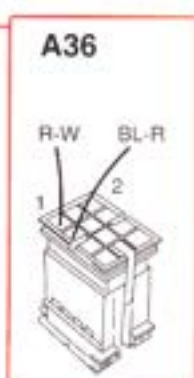
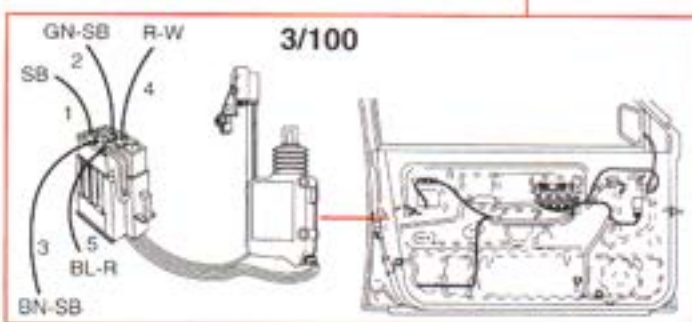
# Central locking USA and Canada, 5-door



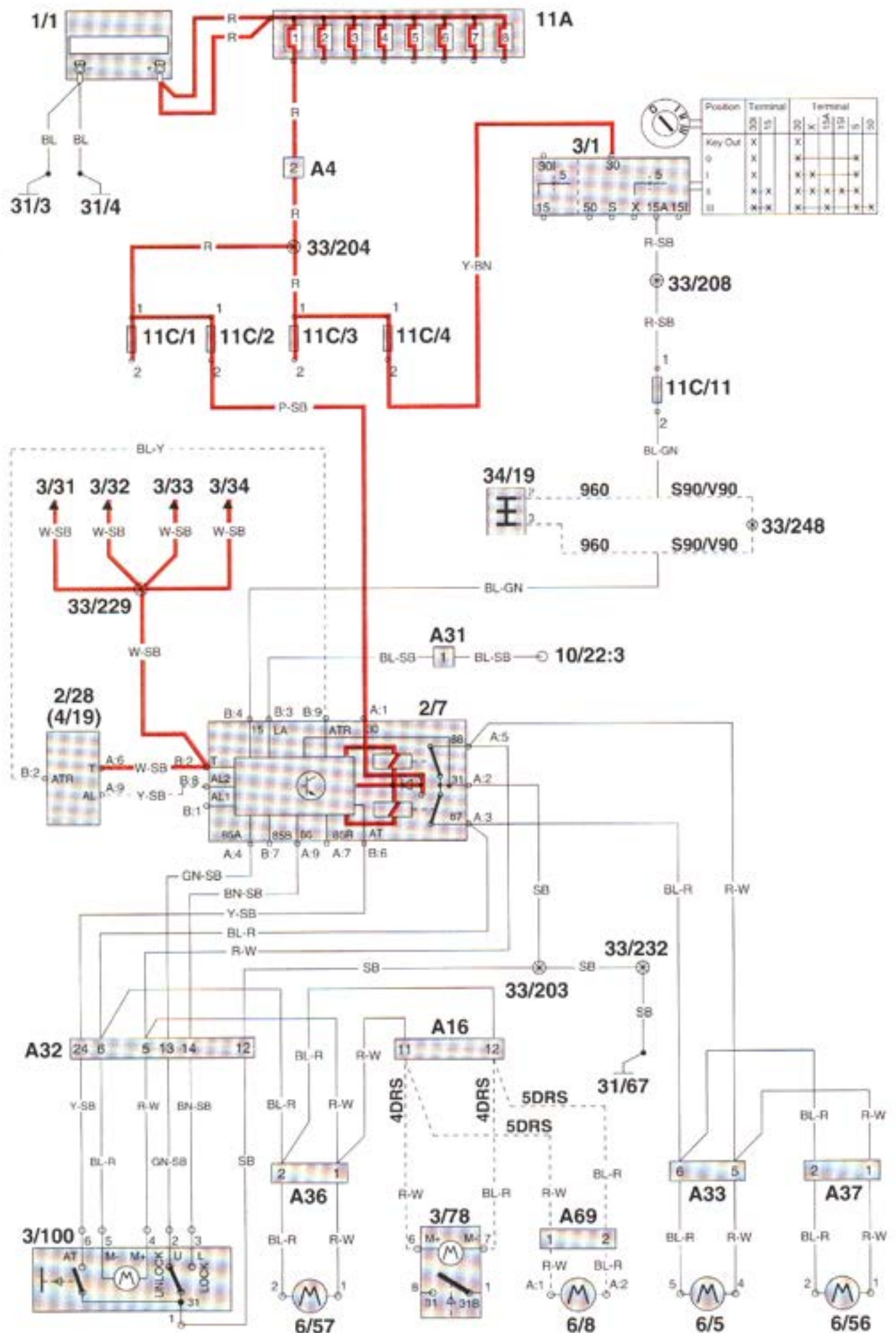
# Central locking USA and Canada, 5-door



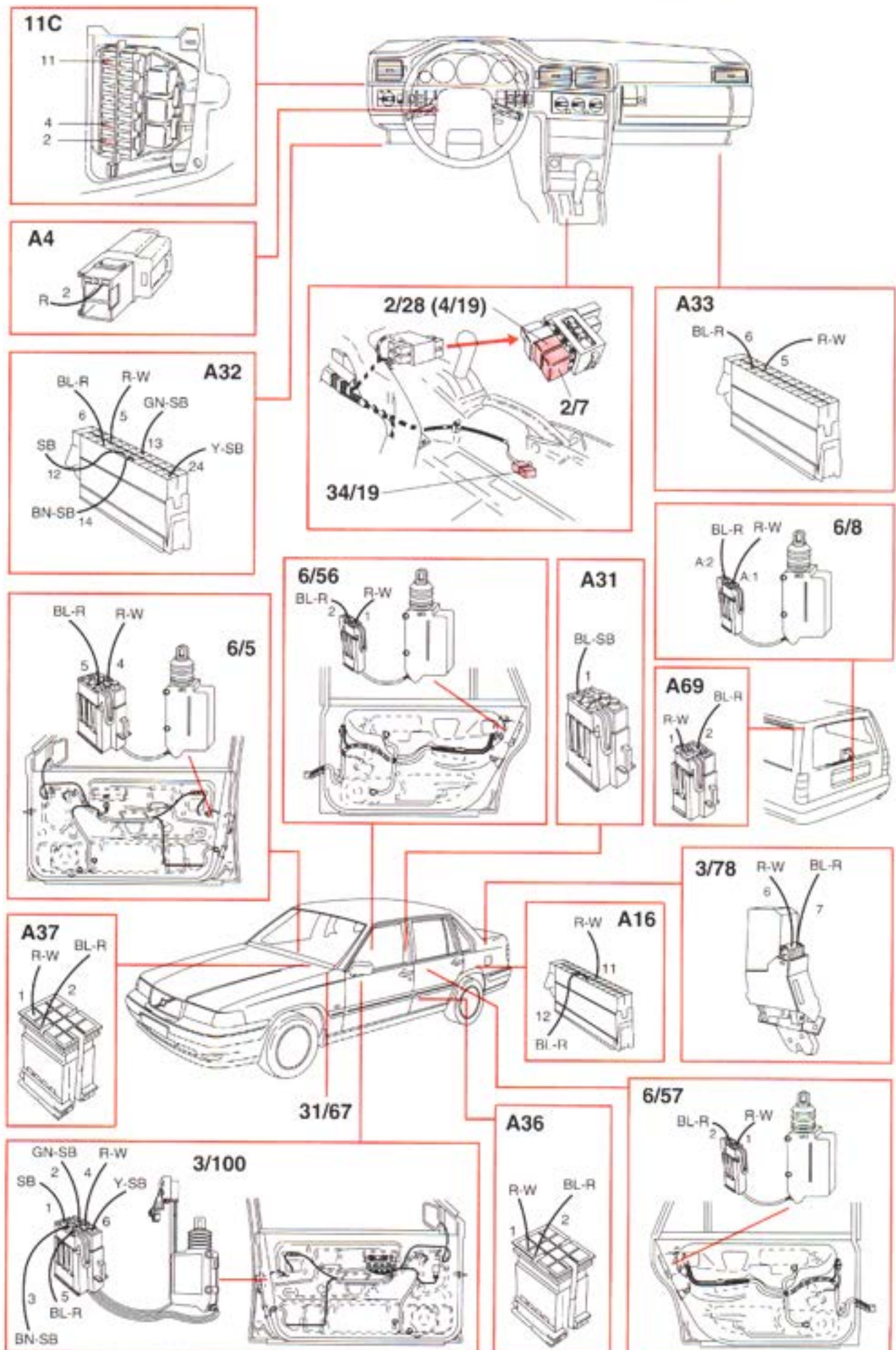
31/67 31/66



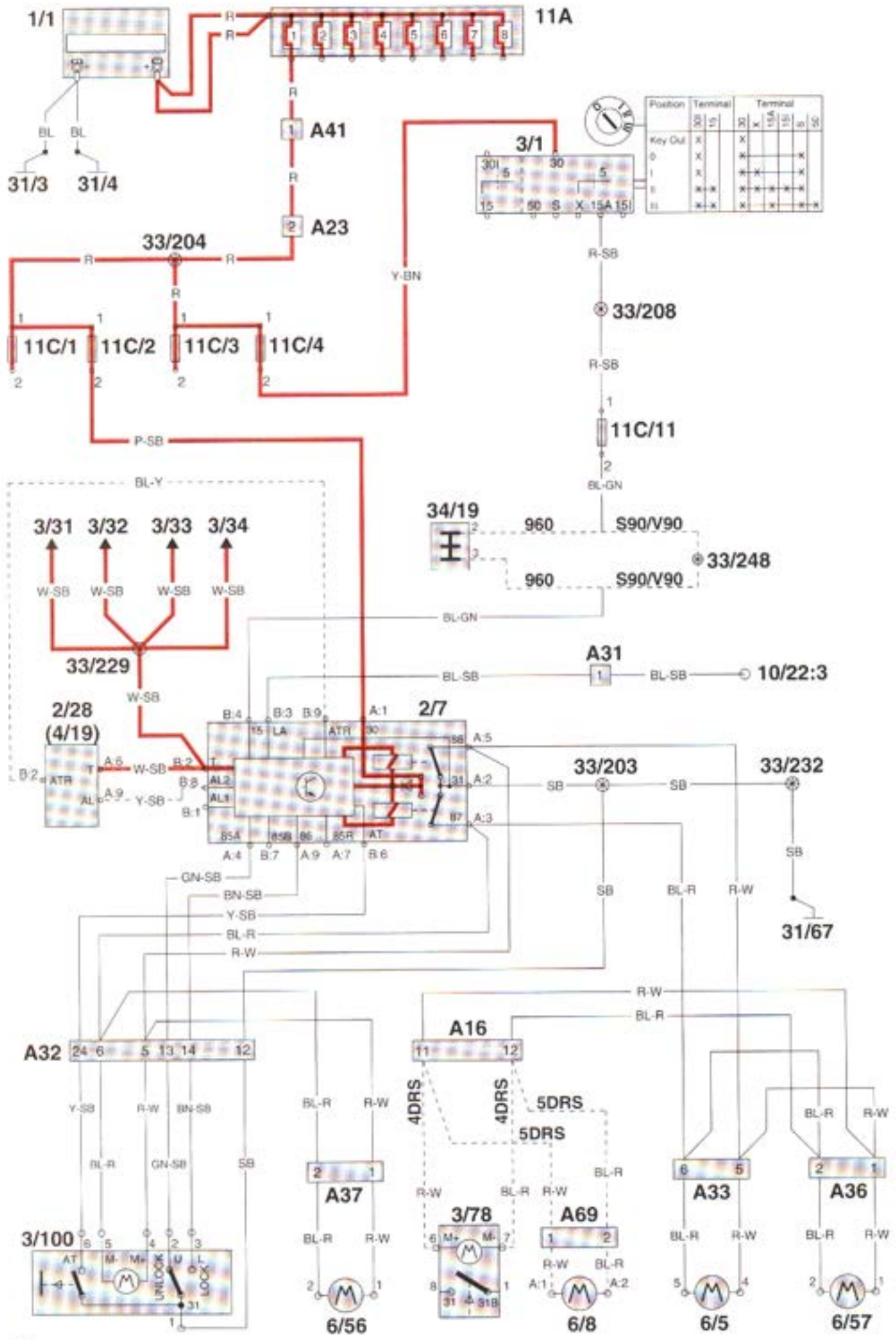
# Central locking Left-hand drive cars



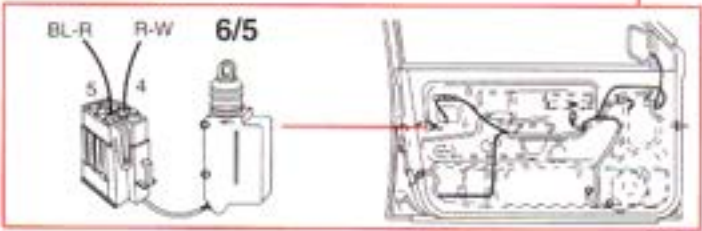
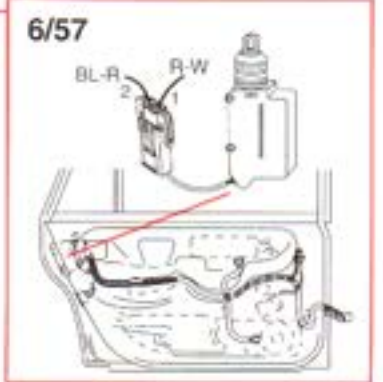
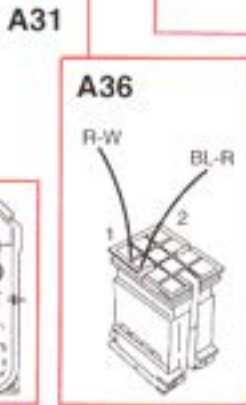
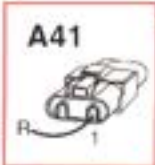
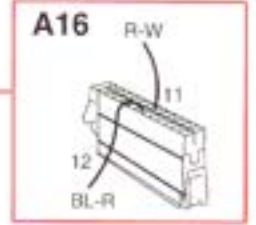
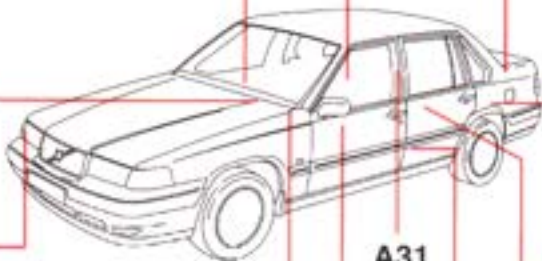
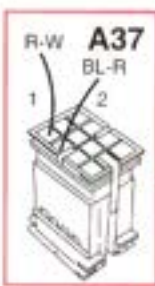
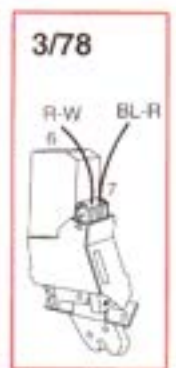
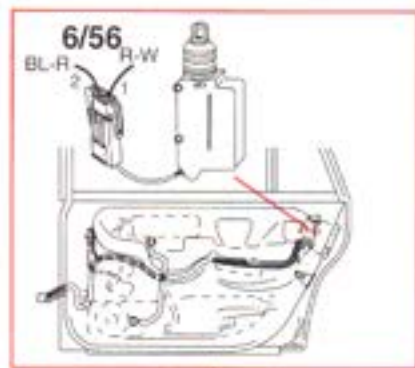
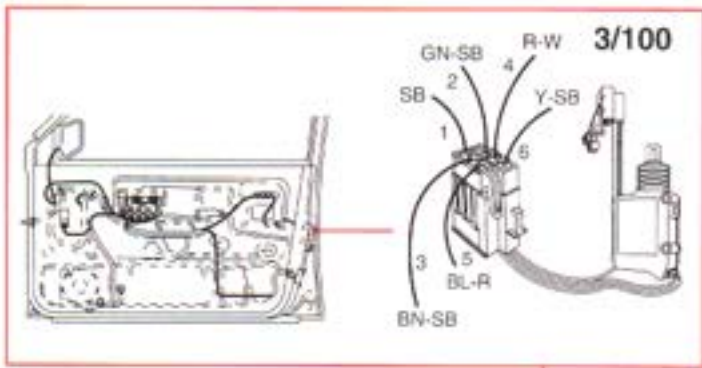
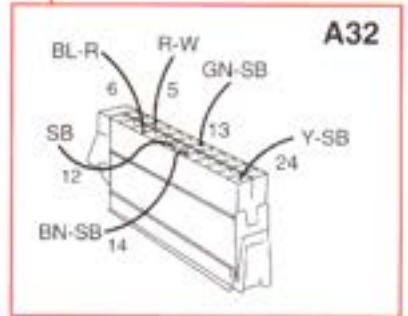
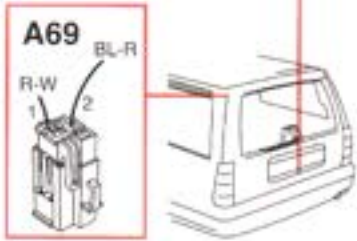
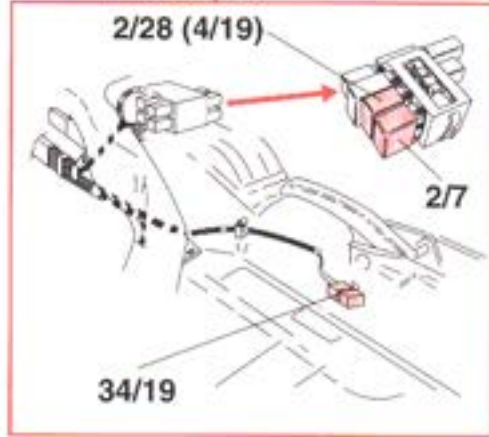
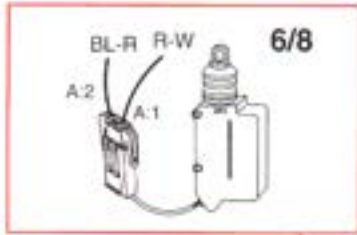
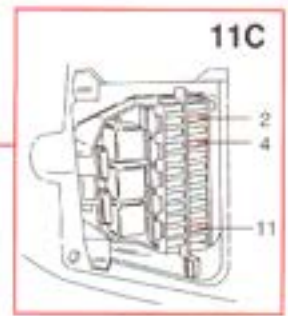
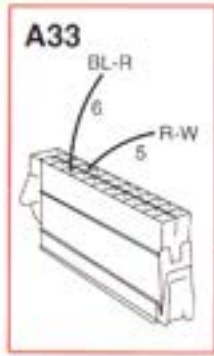
# Central locking Left-hand drive cars



# Central locking Right-hand drive cars

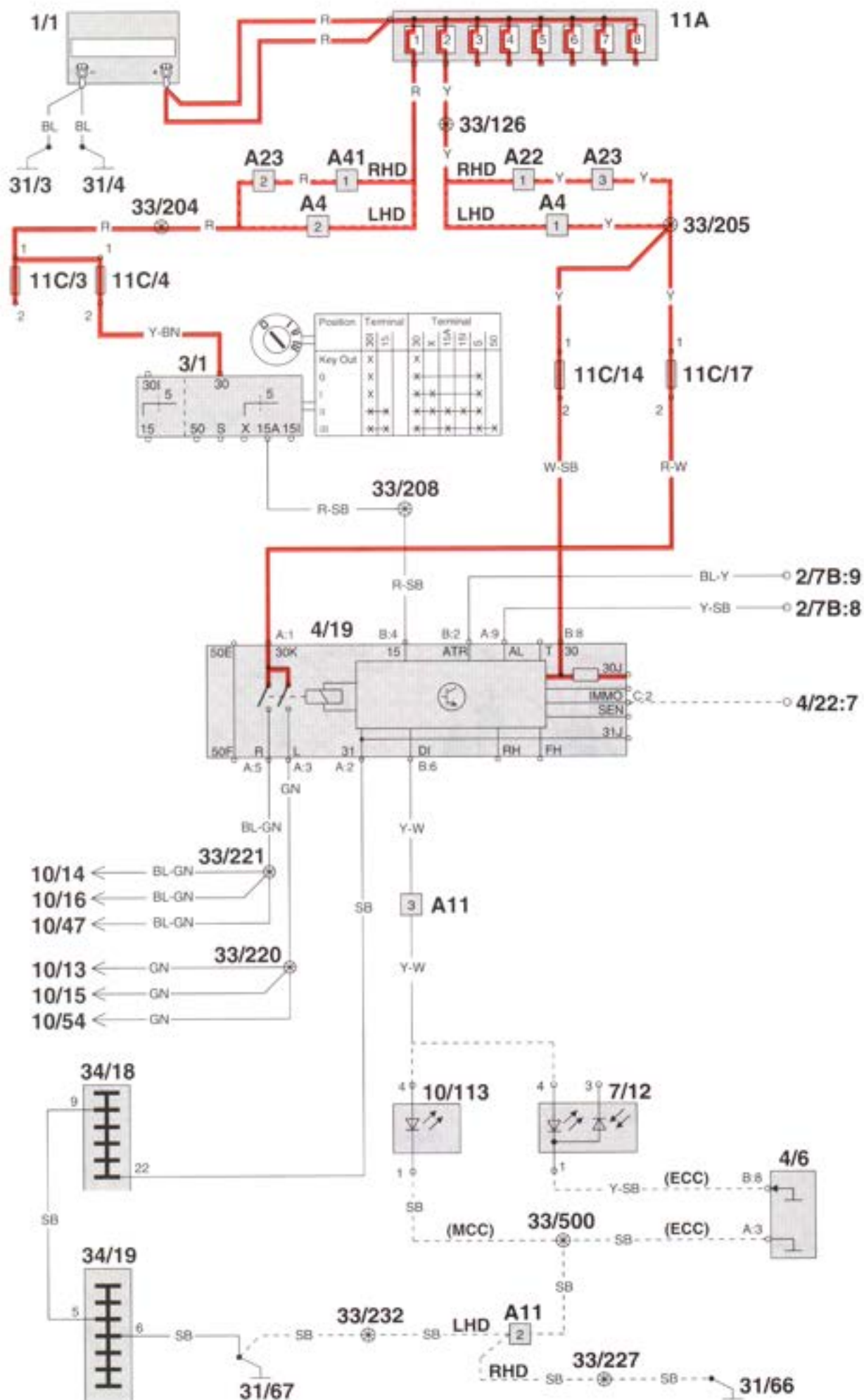


# Central locking Right-hand drive cars

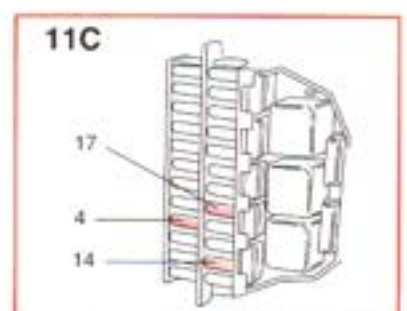
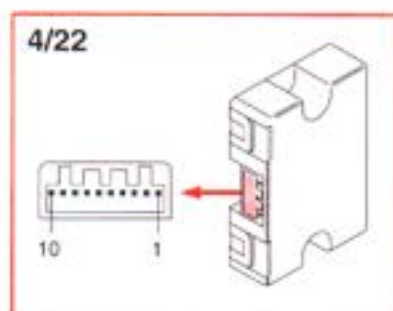
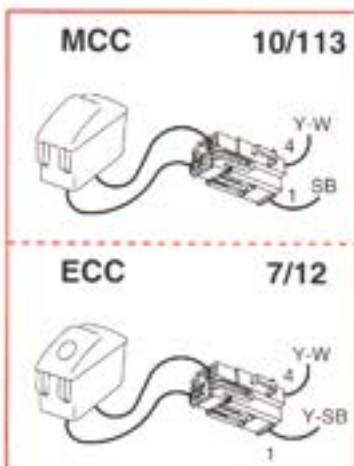
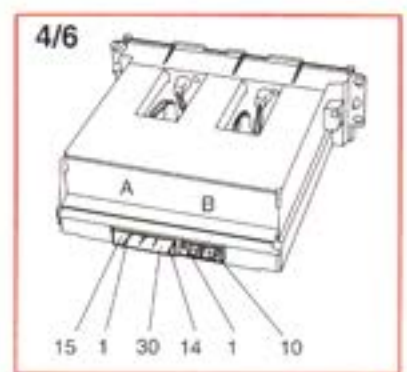
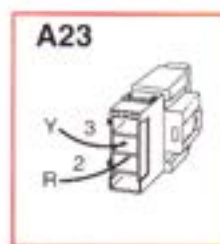
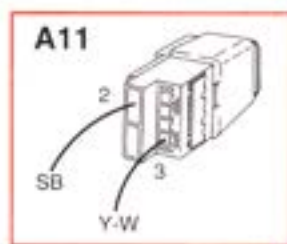
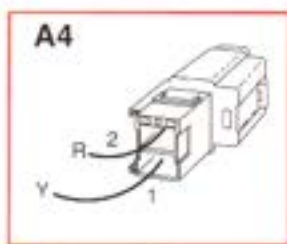
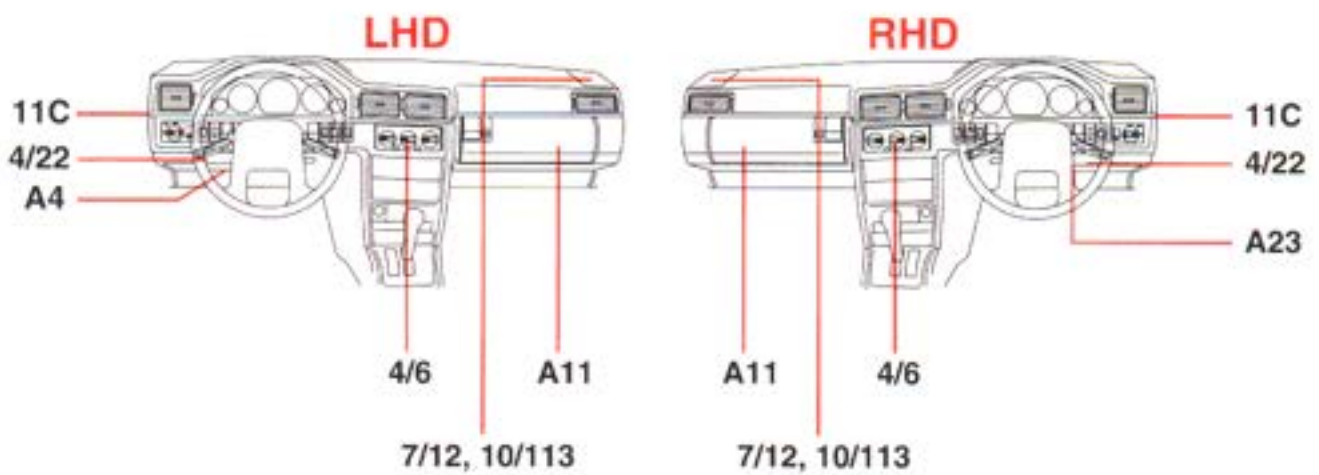
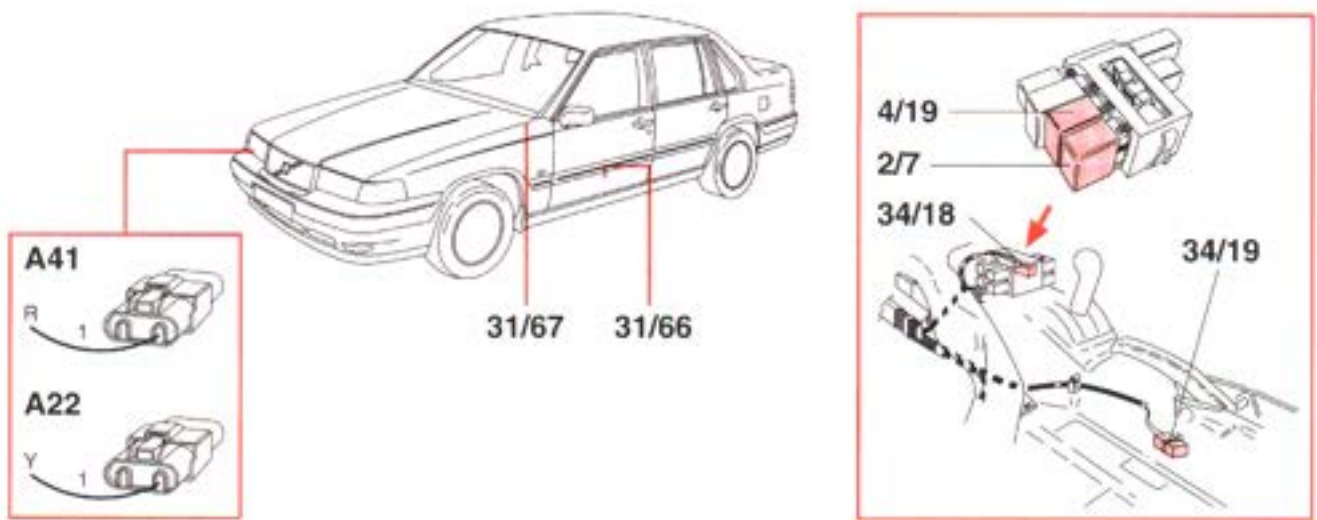


**31/67**

# Remote control central locking

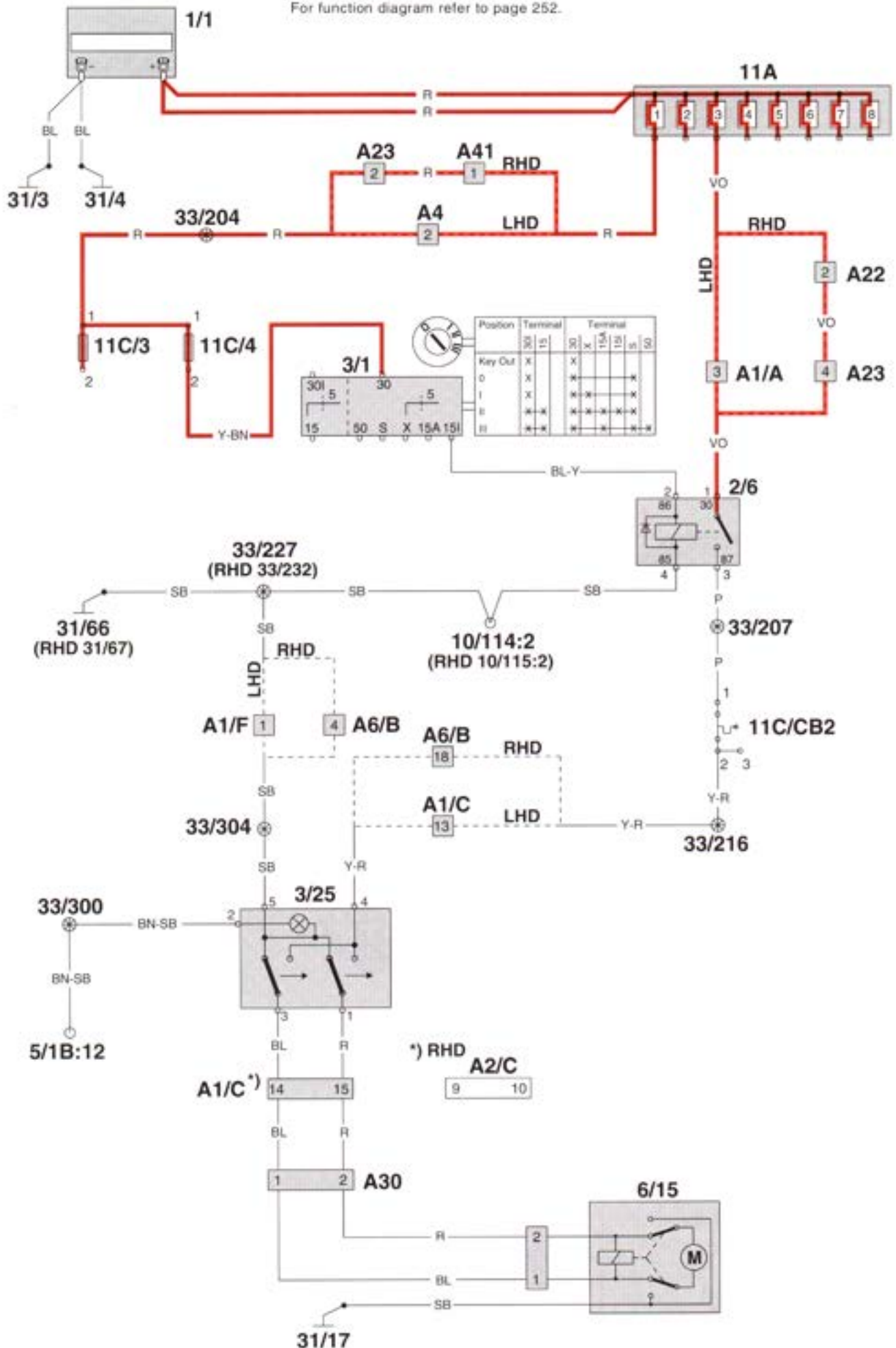


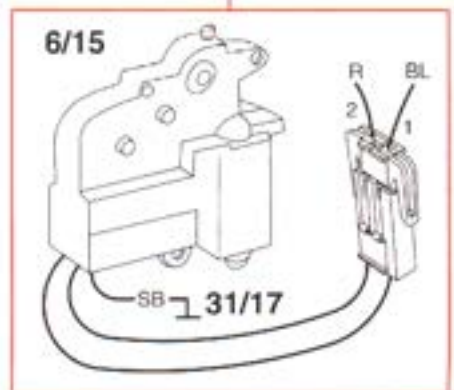
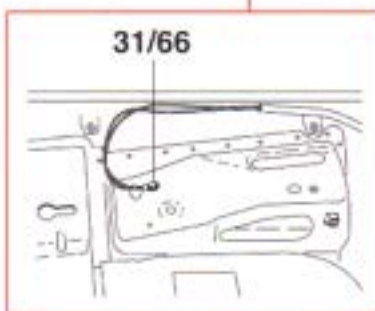
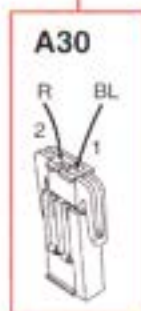
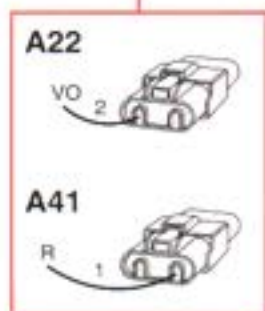
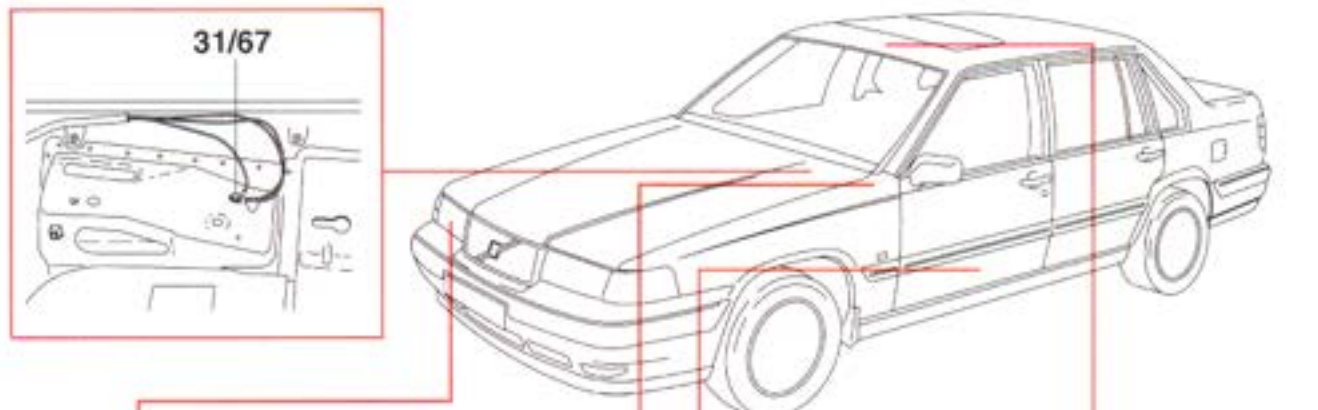
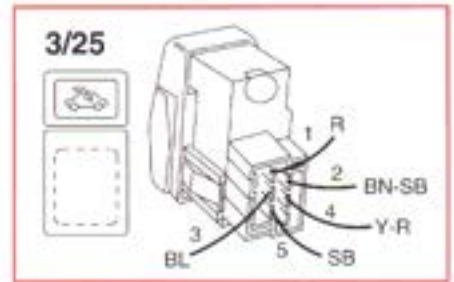
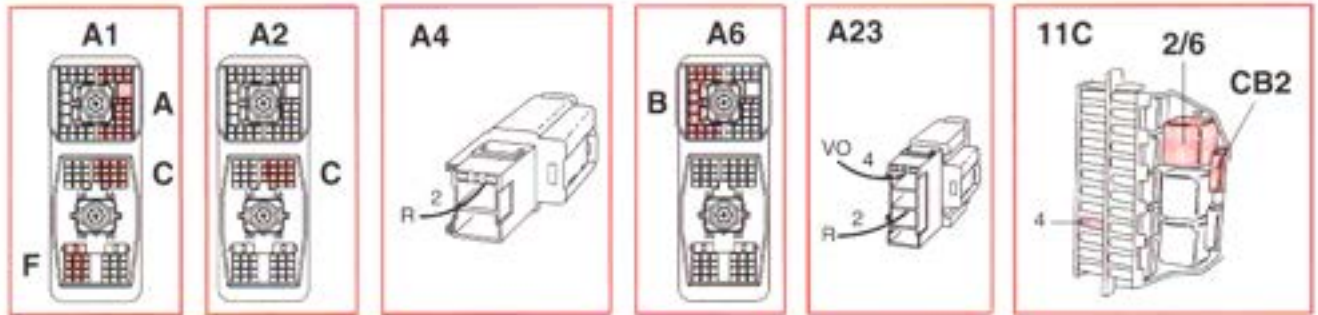
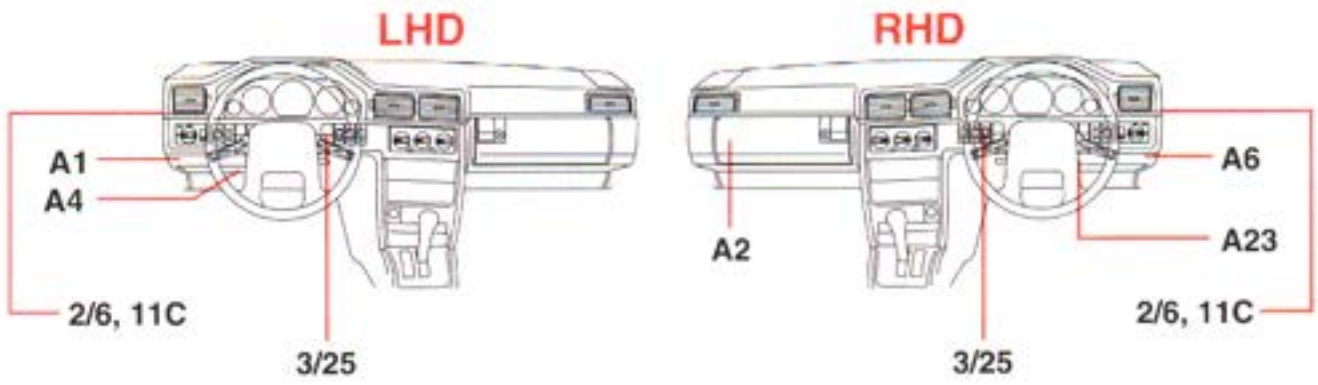
# Remote control central locking



# Power sunroof

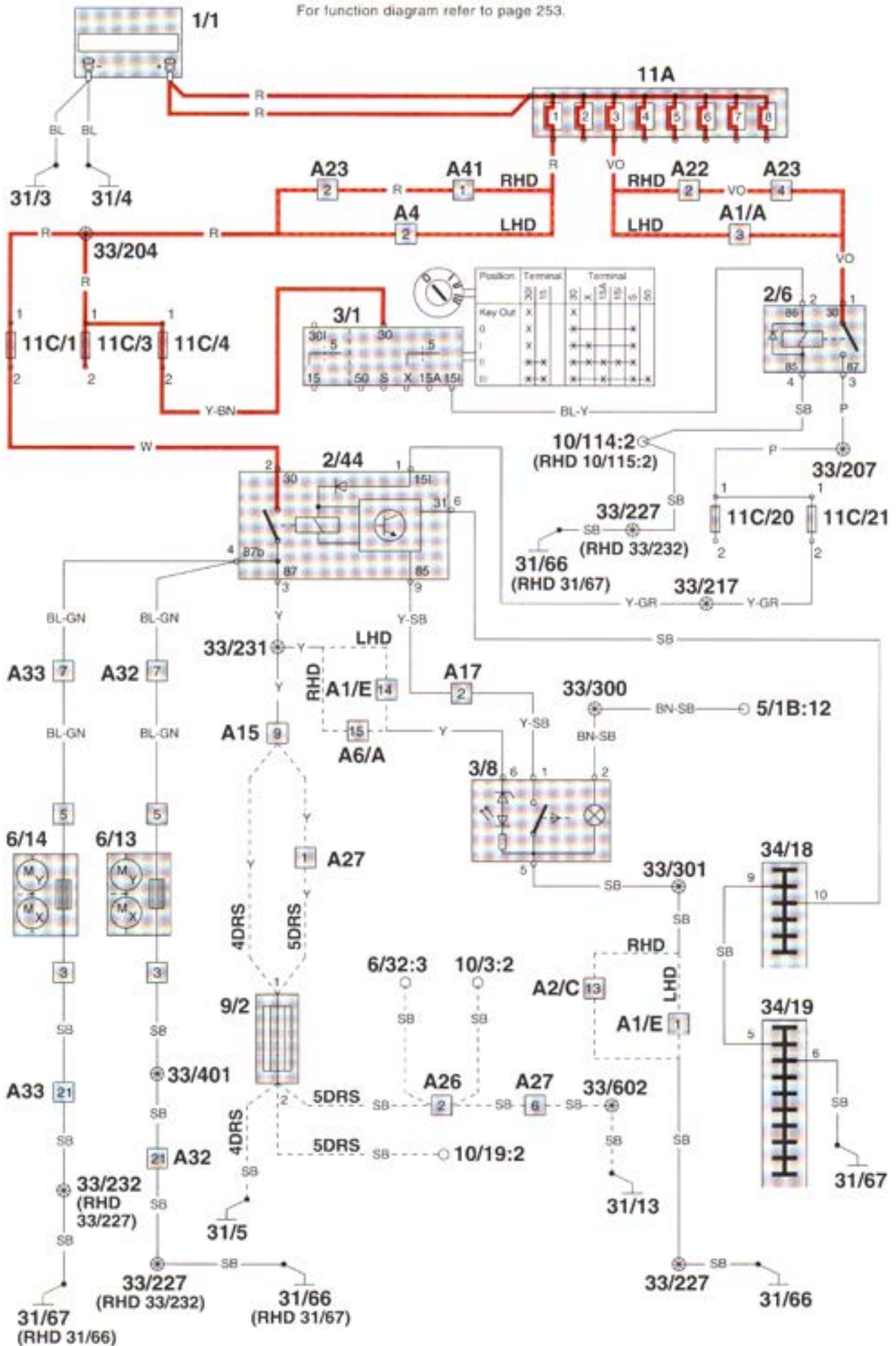
For function diagram refer to page 252.





# Heated rear window and door mirrors

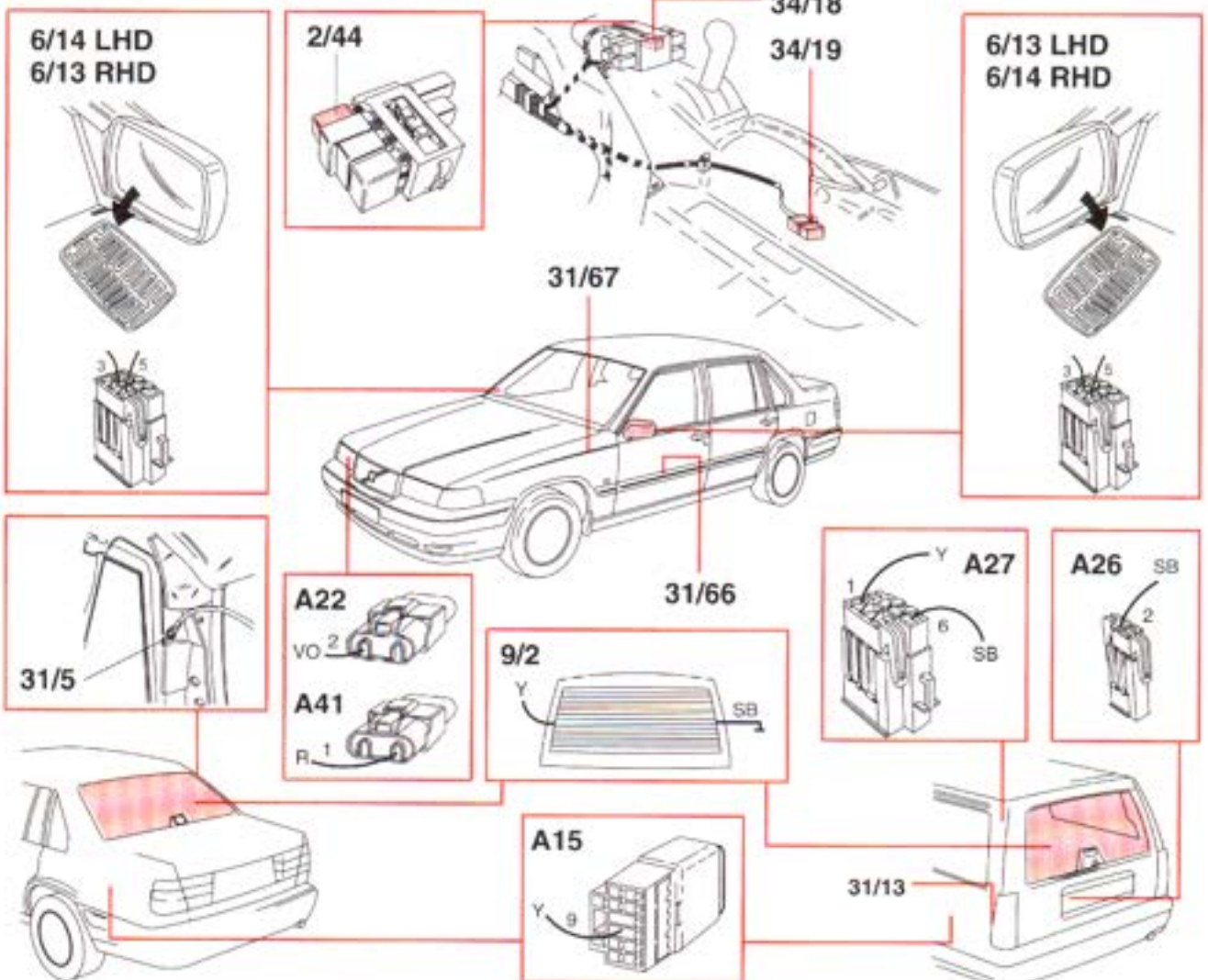
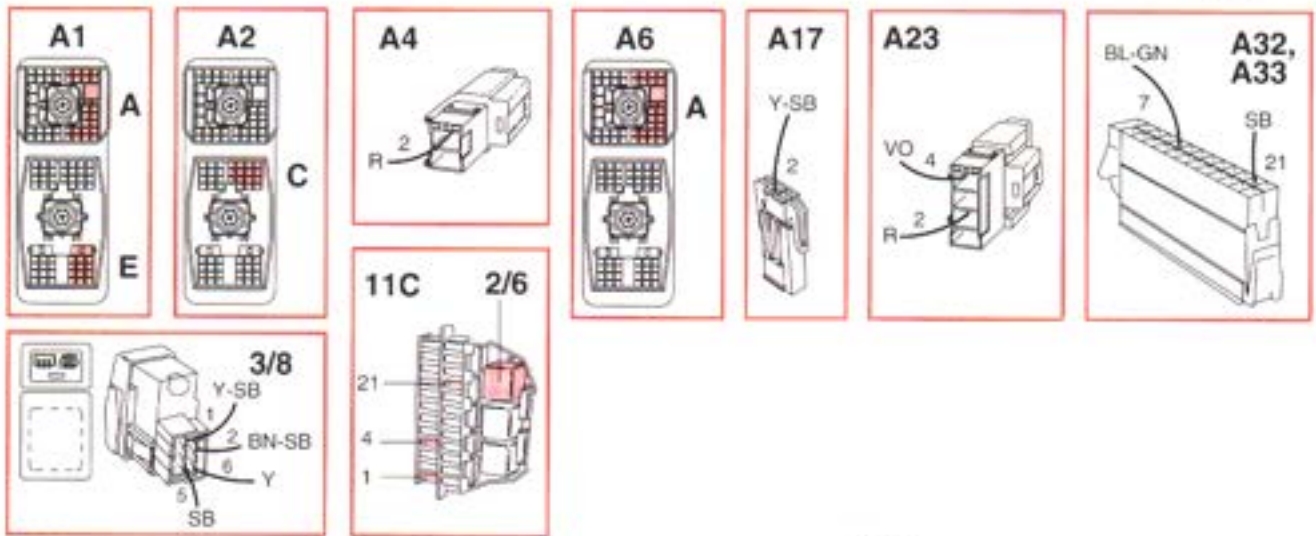
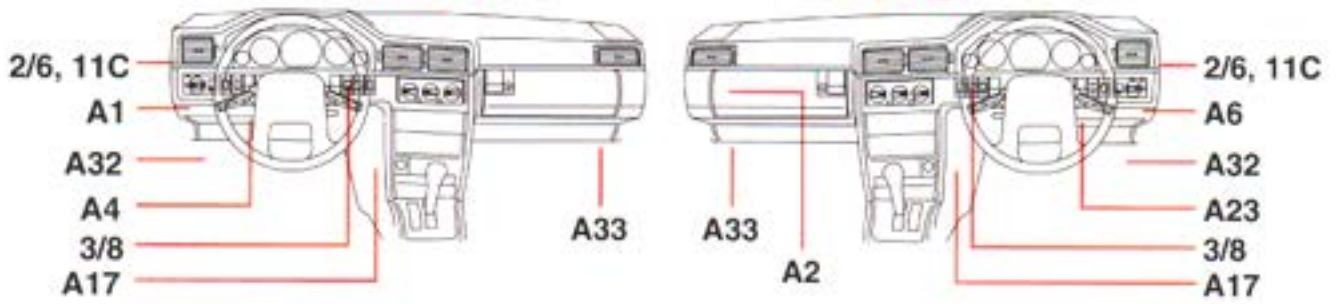
For function diagram refer to page 253.



# Heated rear window and door mirrors

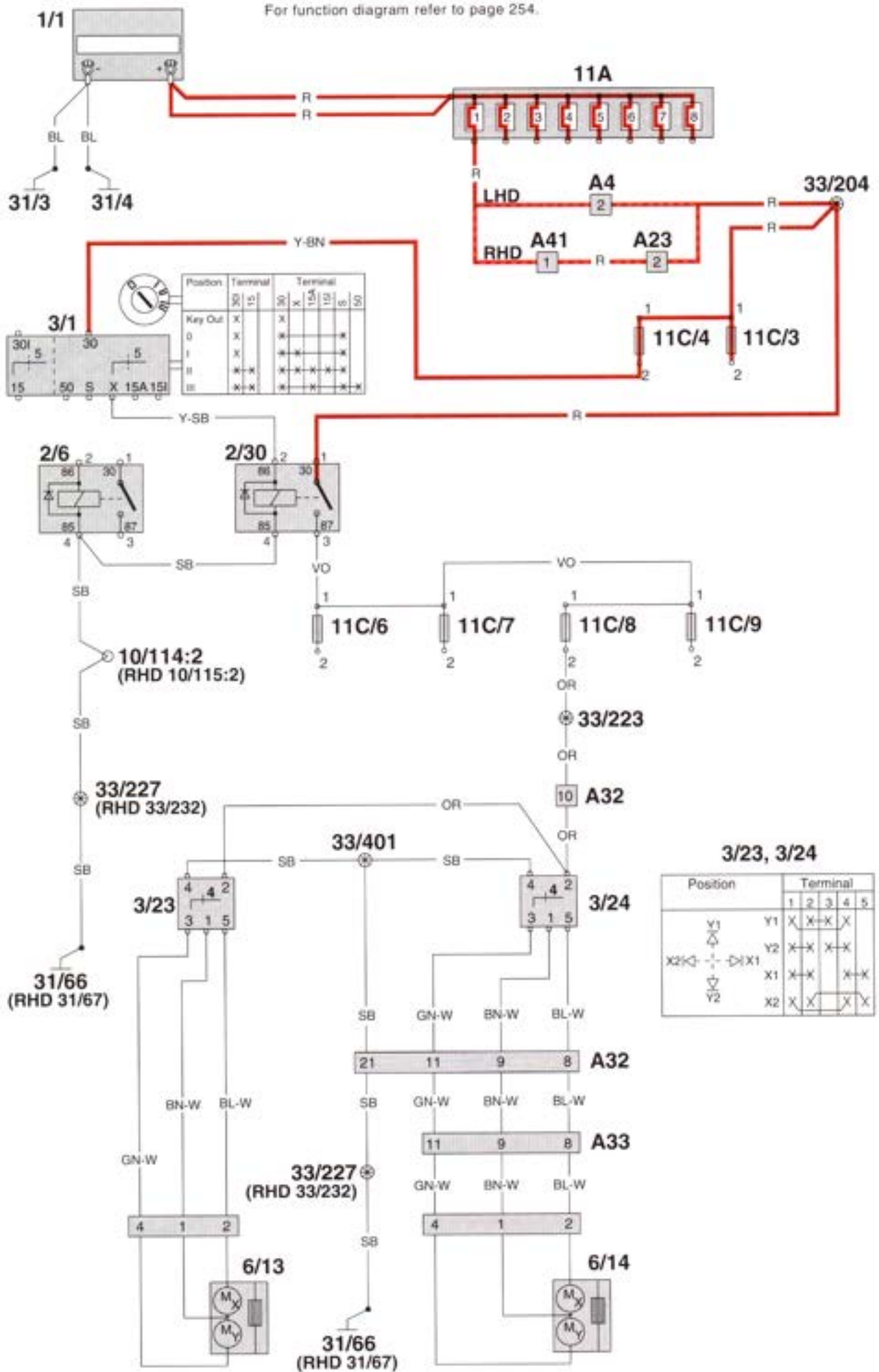
**LHD**

**RHD**

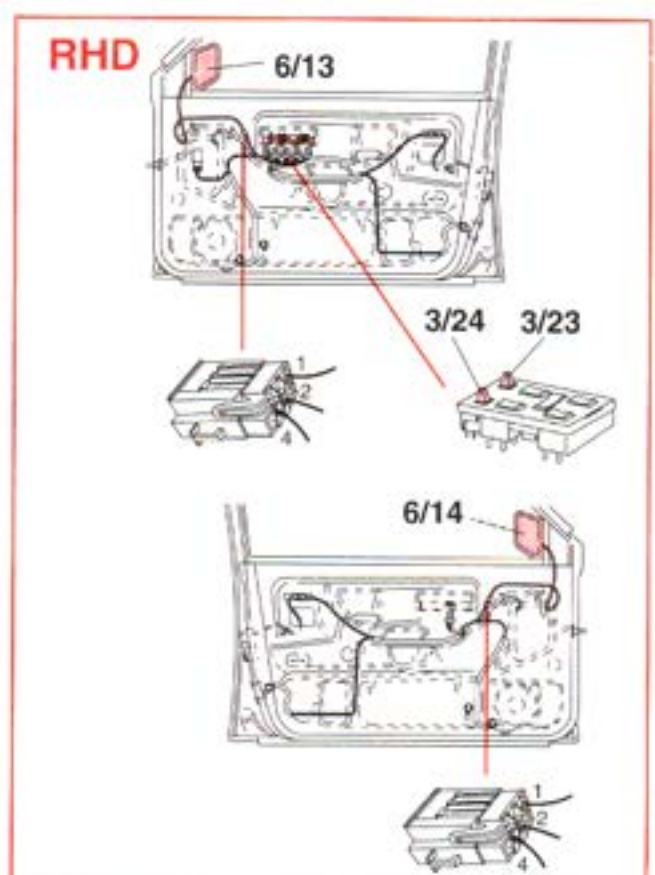
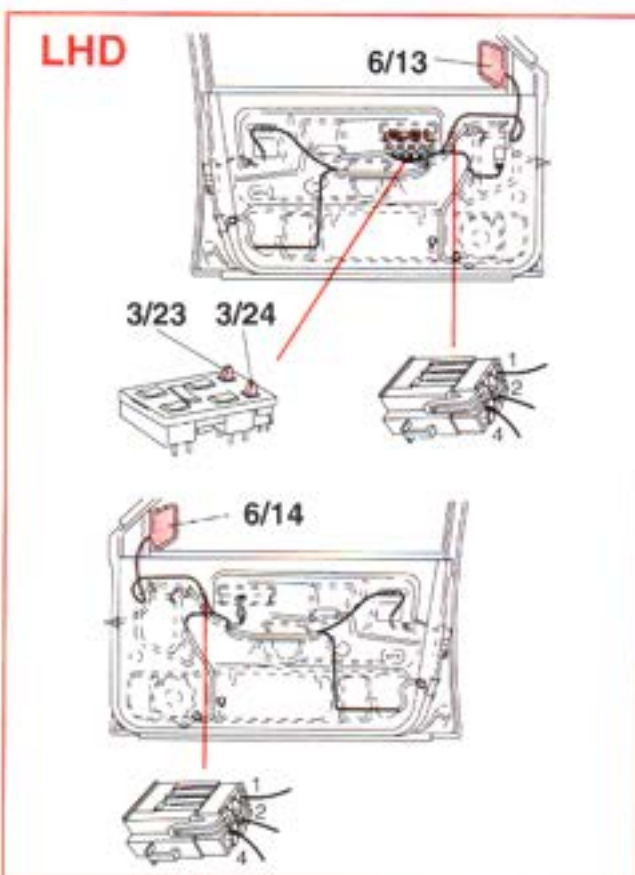
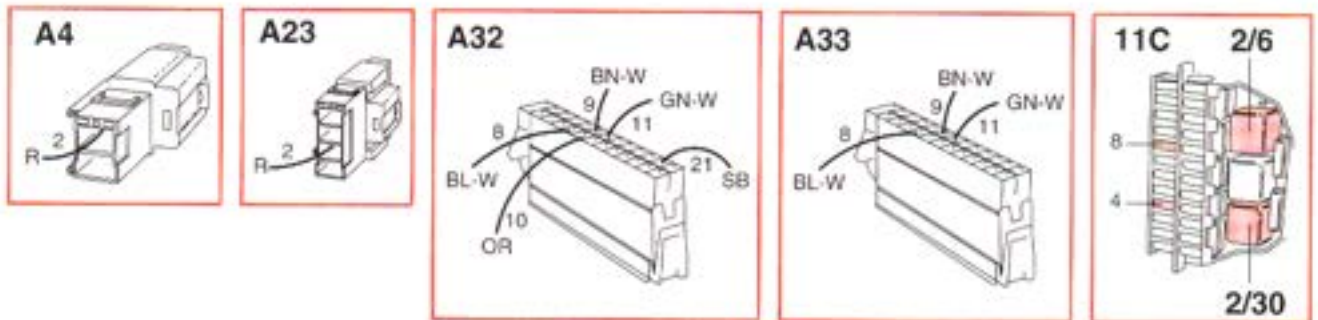
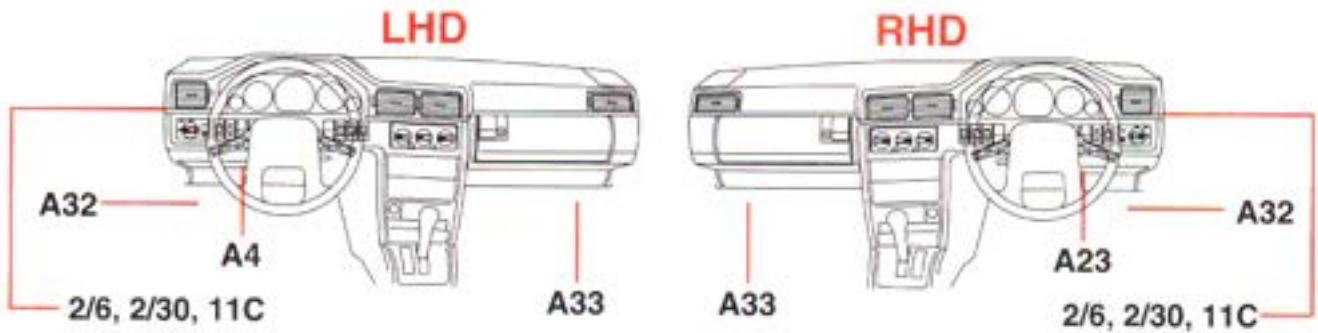
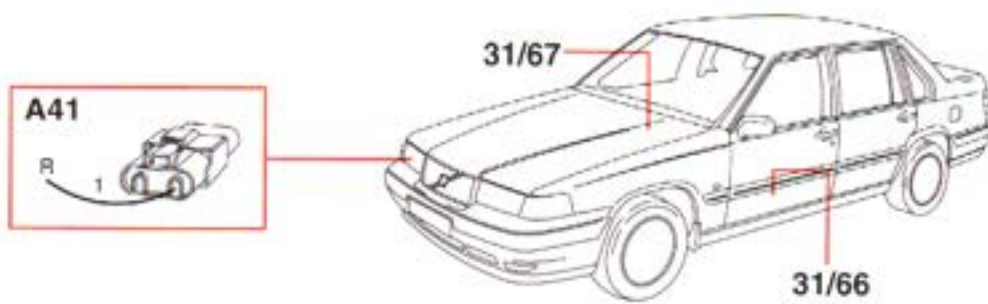


# Power door mirrors

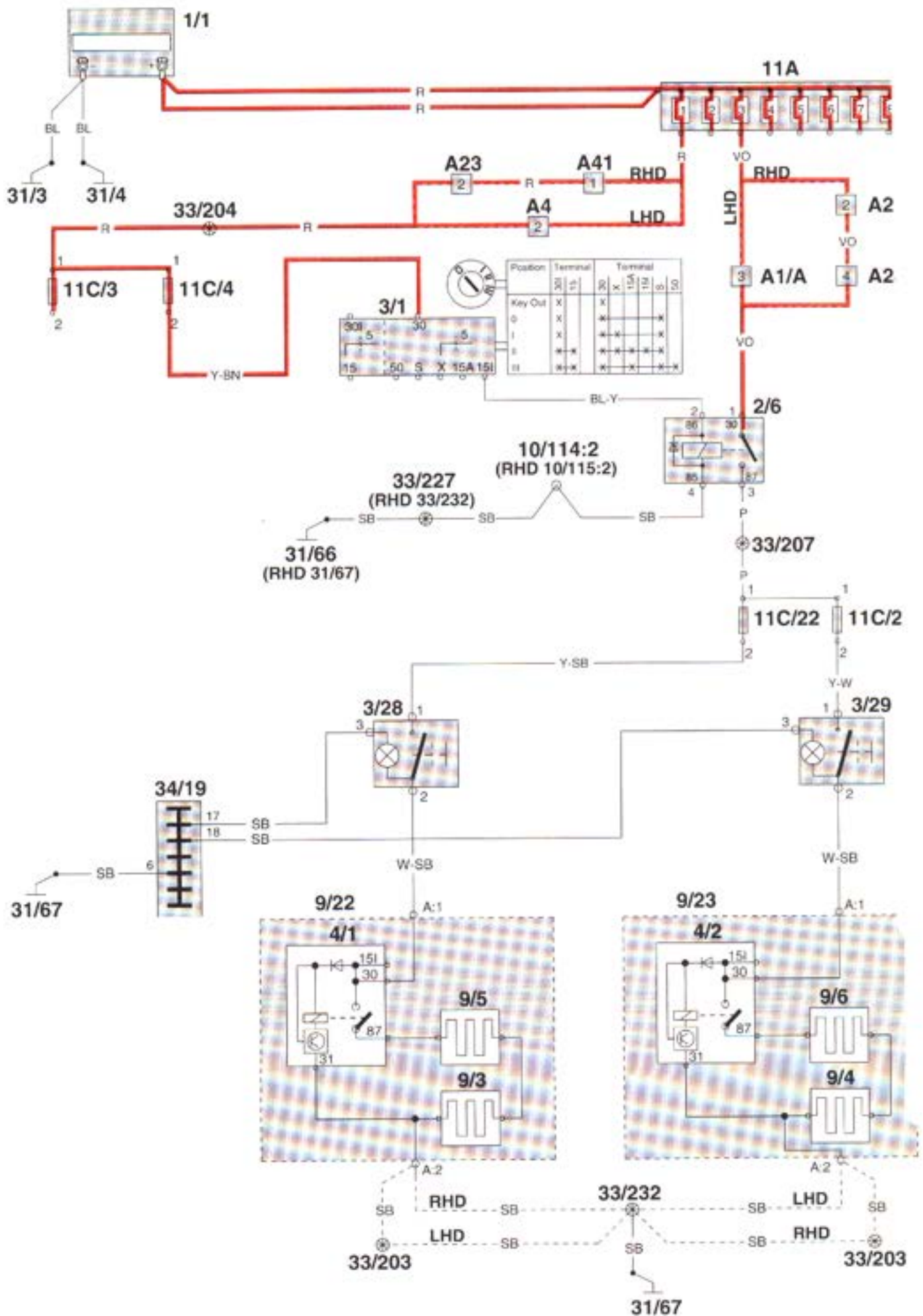
For function diagram refer to page 254.



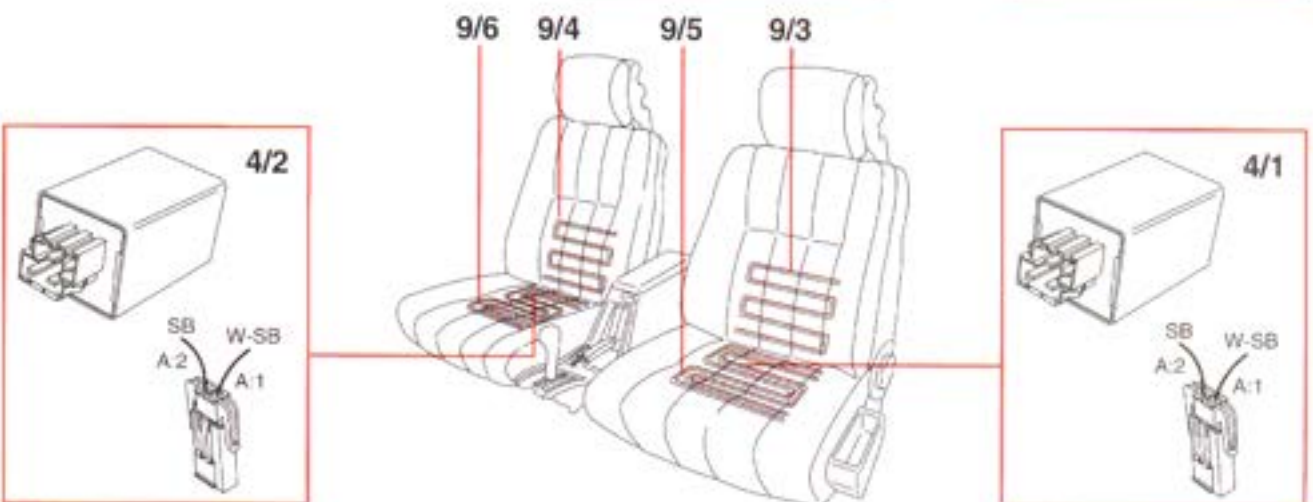
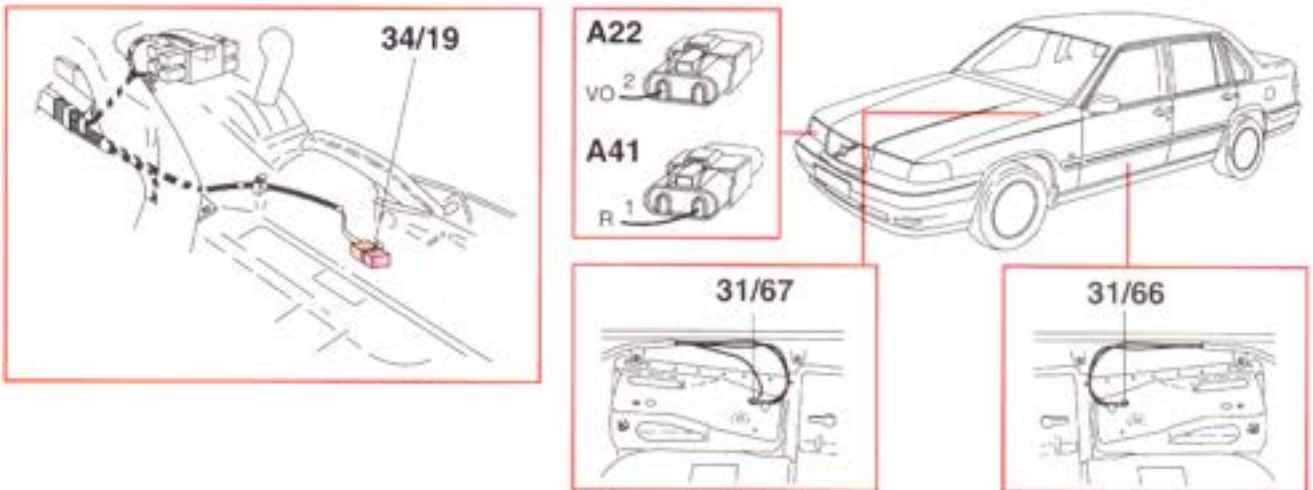
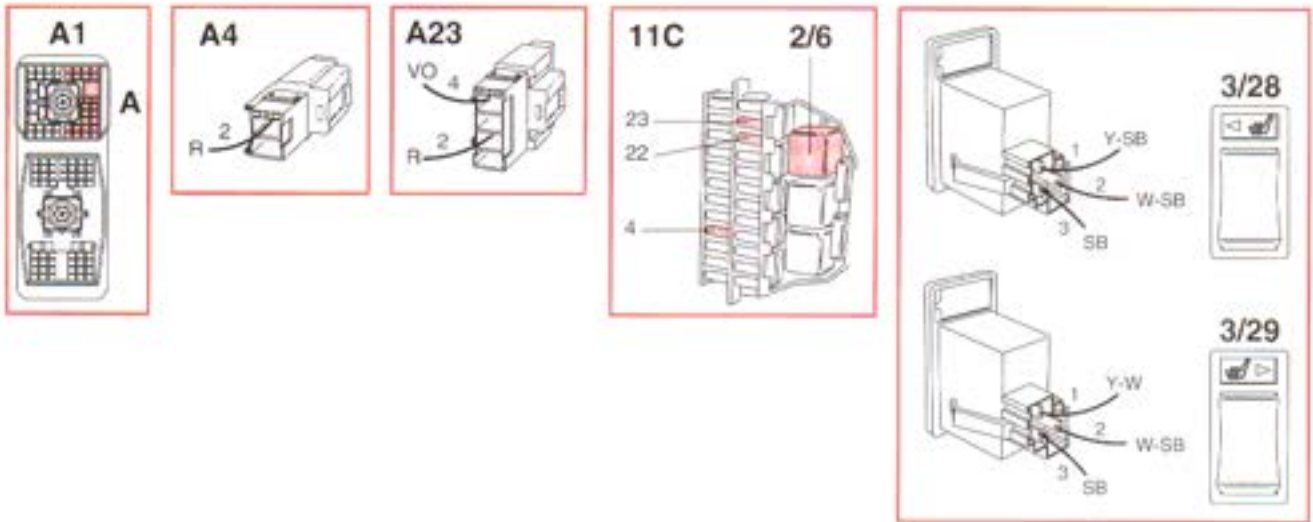
# Power door mirrors



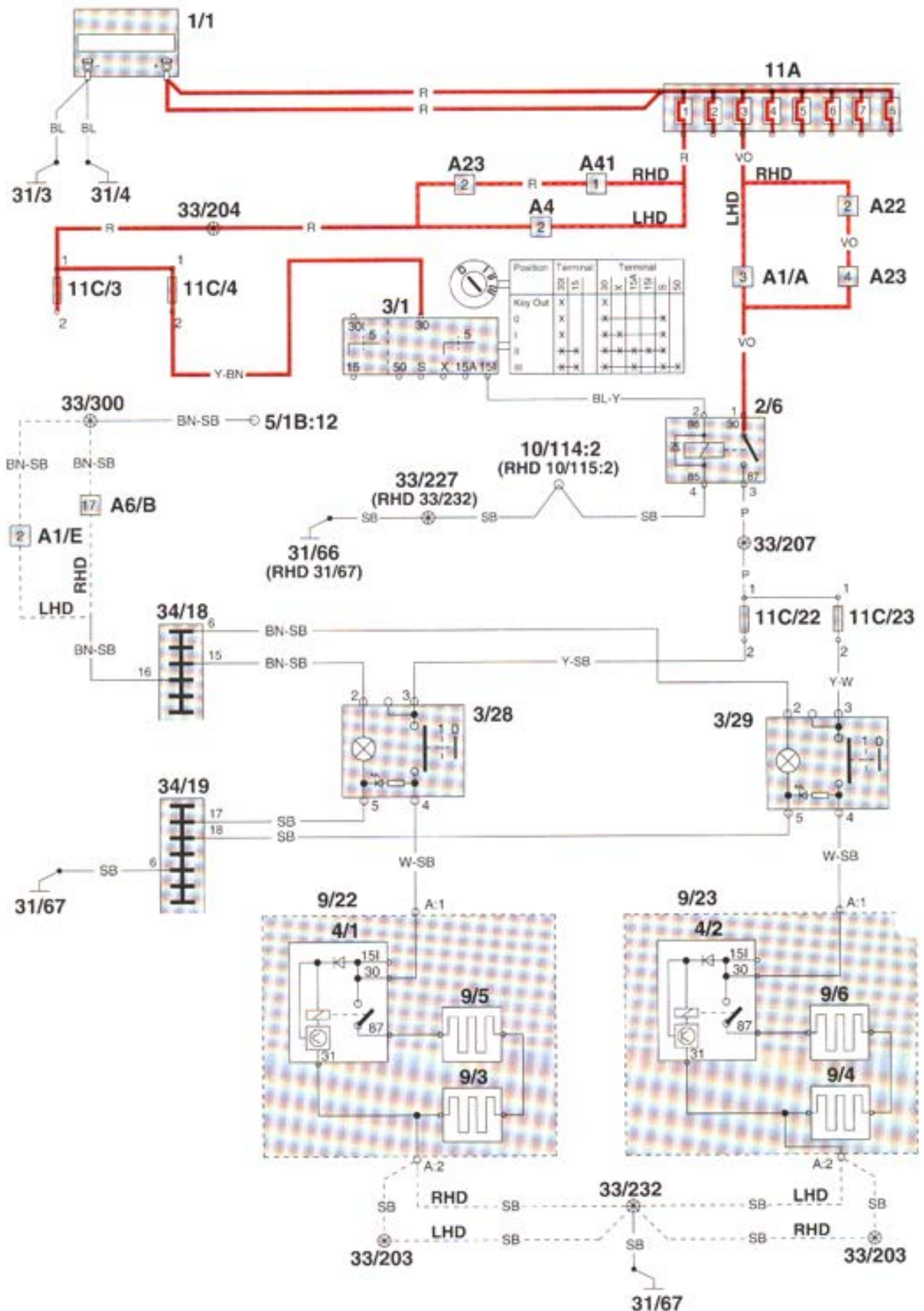
# Electrically heated seats 960



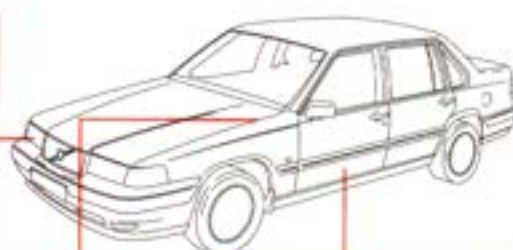
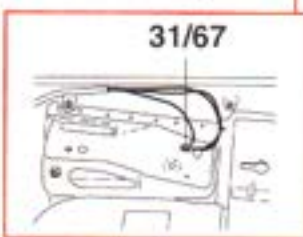
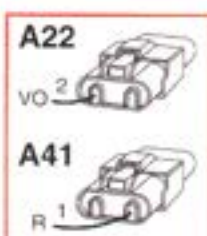
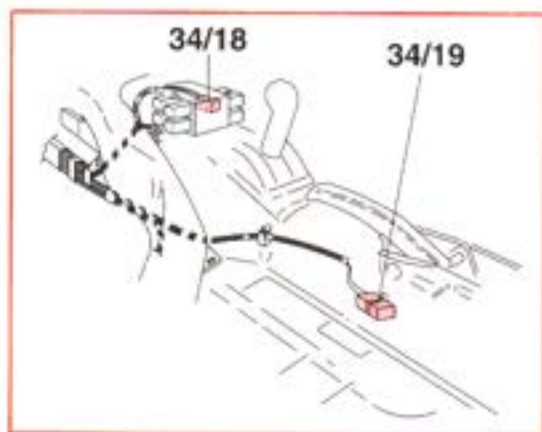
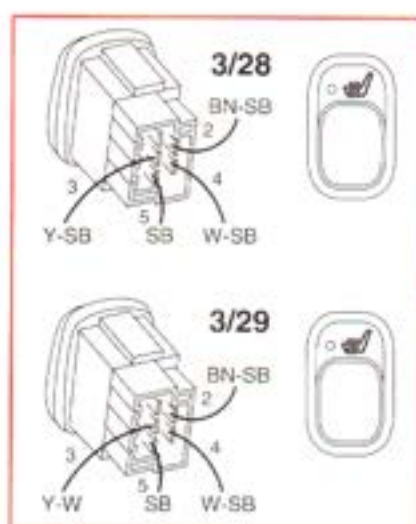
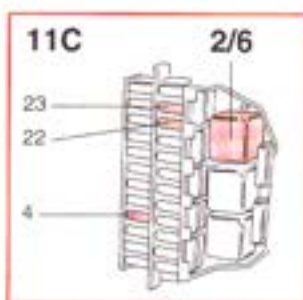
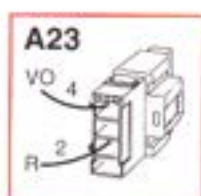
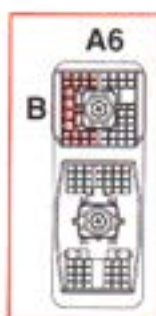
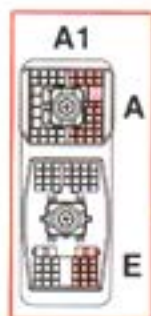
# Electrically heated seats 960



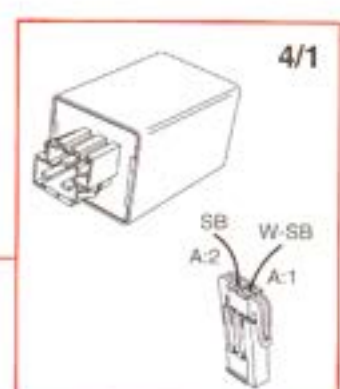
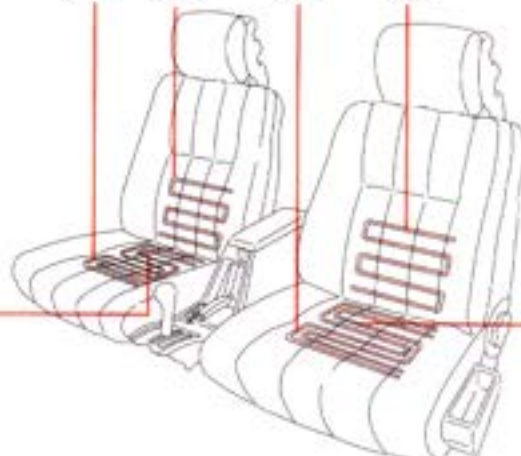
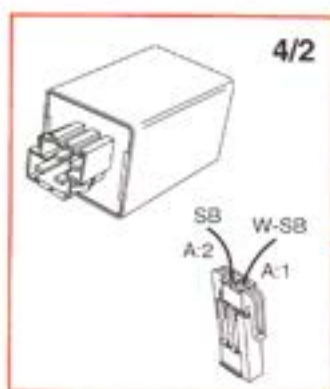
# Electrically heated seats S90/V90



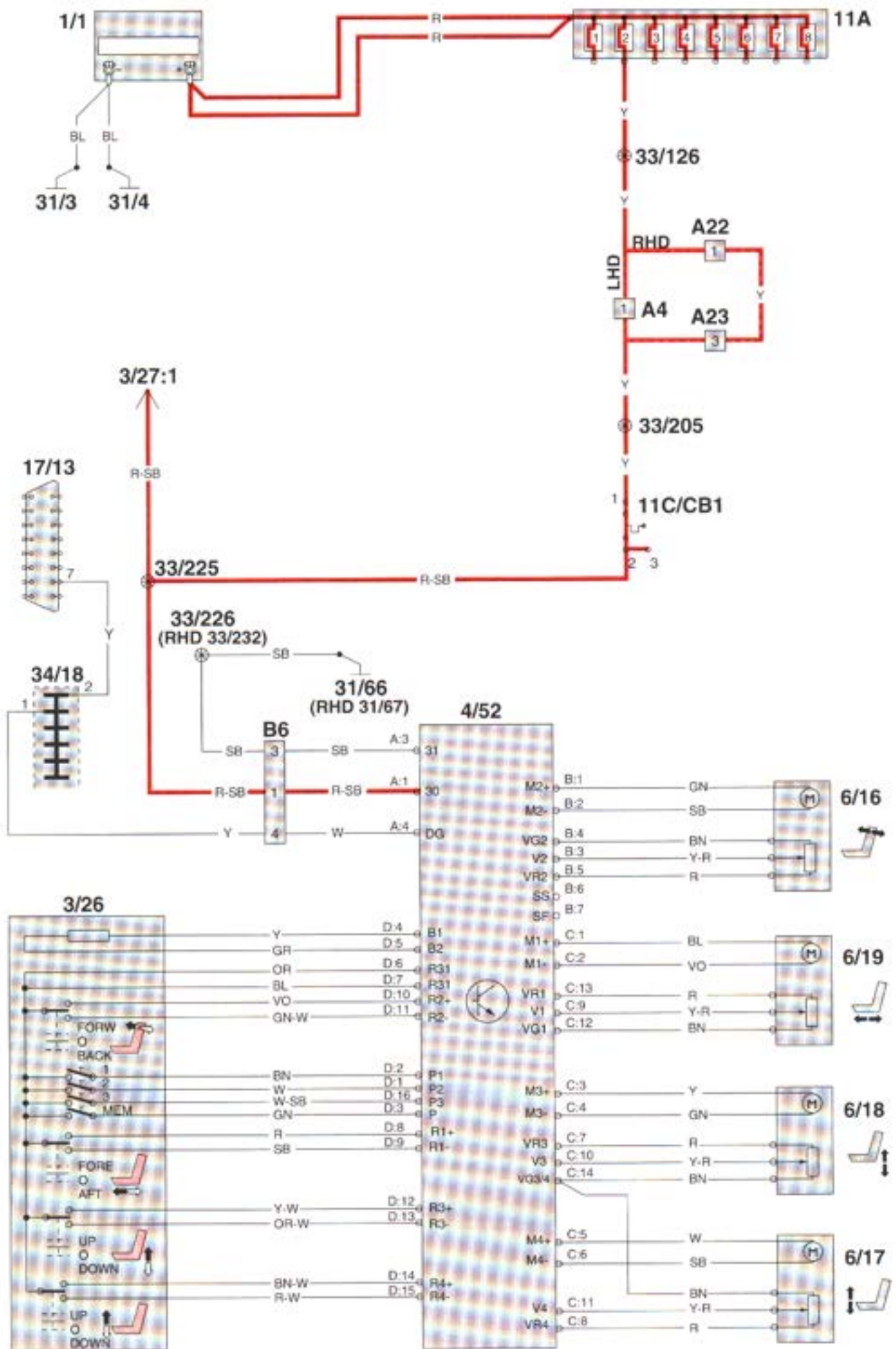
# Electrically heated seats S90/V90



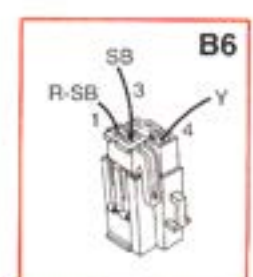
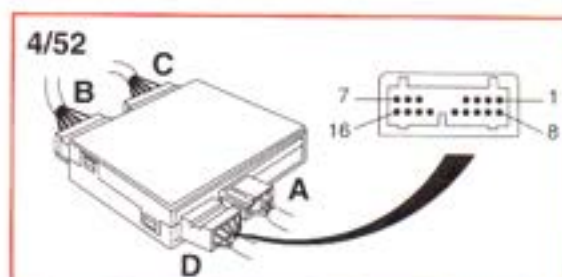
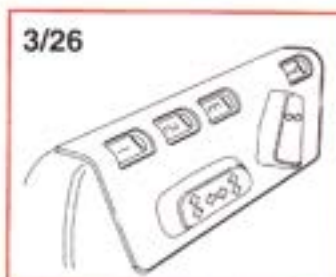
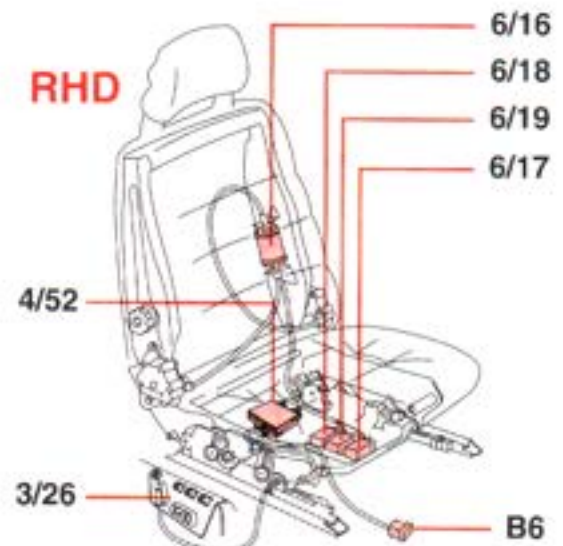
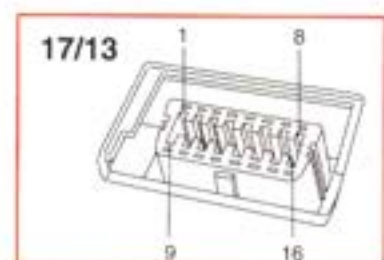
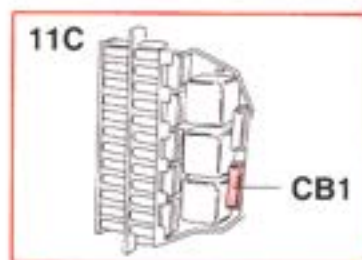
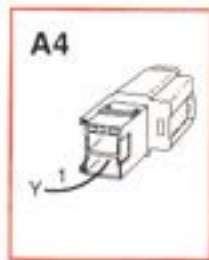
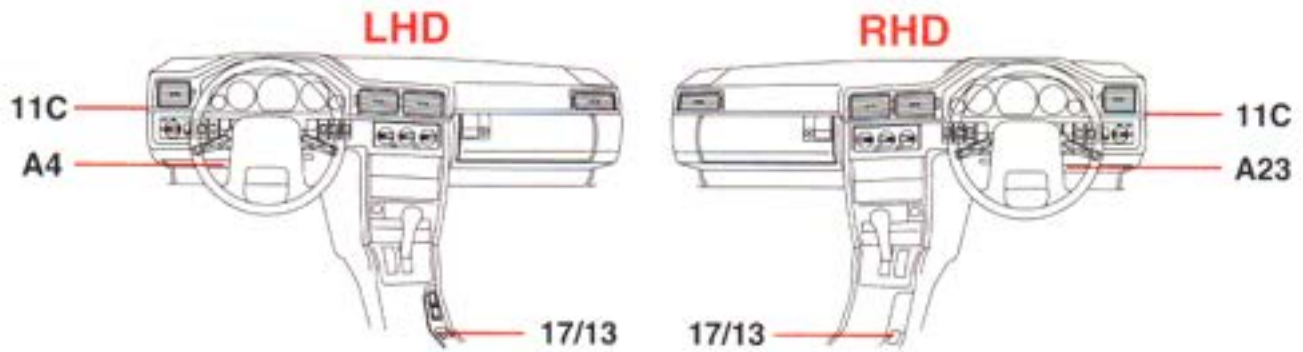
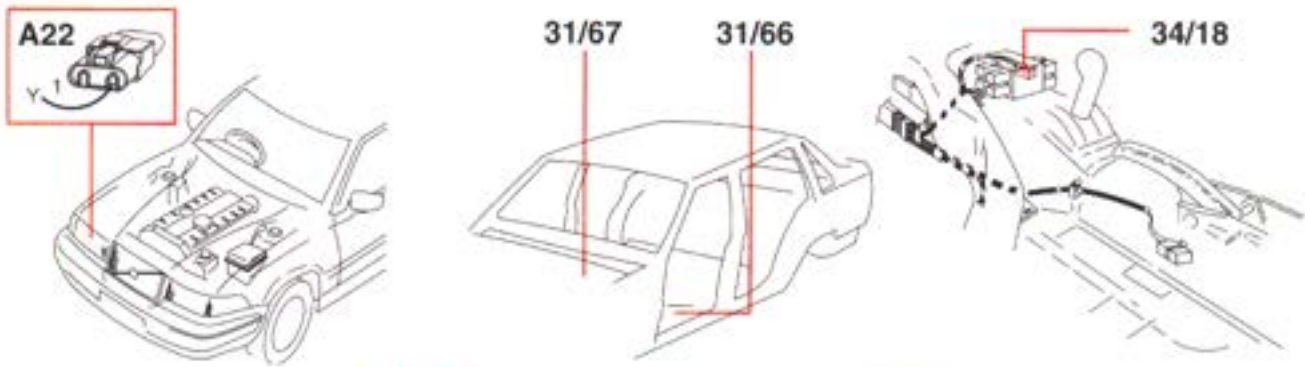
9/6    9/4    9/5    9/3



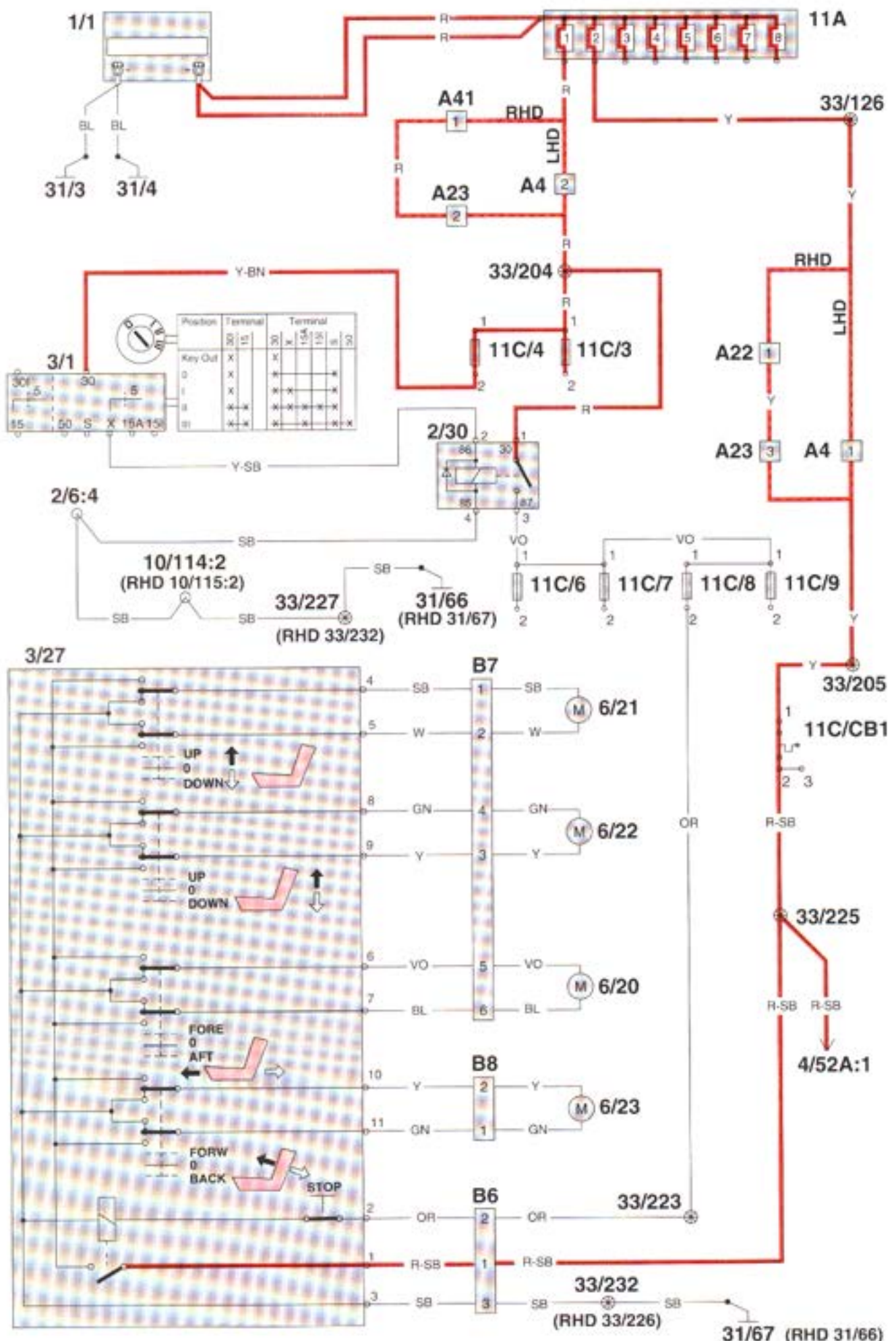
# Power driver's seat



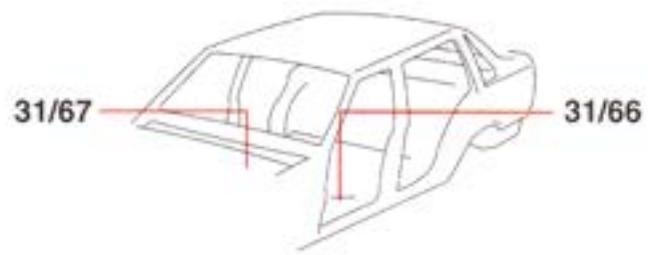
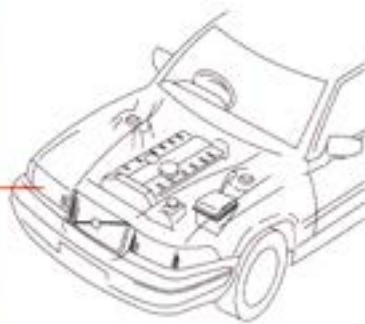
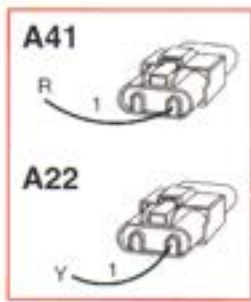
# Power driver's seat



# Power passenger seat



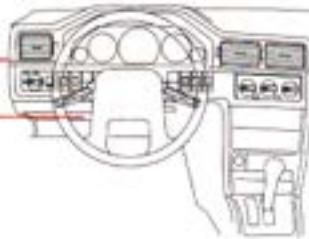
# Power passenger seat



**LHD**

2/30, 11C

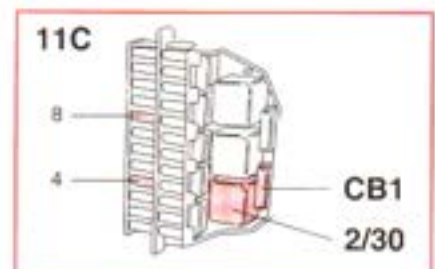
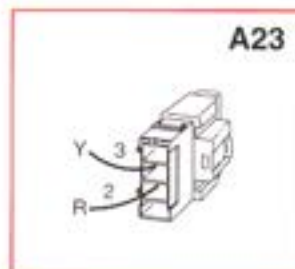
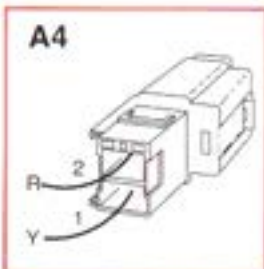
A4



**RHD**

2/30, 11C

A23



**LHD**

B8

6/20

B7

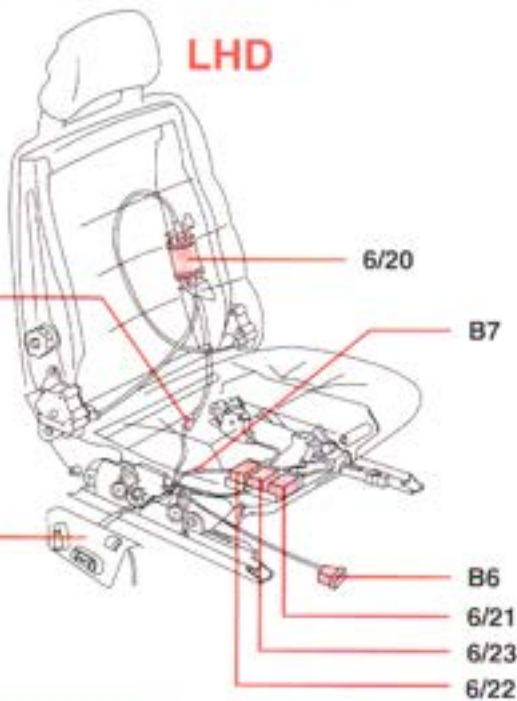
3/27

B6

6/21

6/23

6/22



**RHD**

B7

6/20

B8

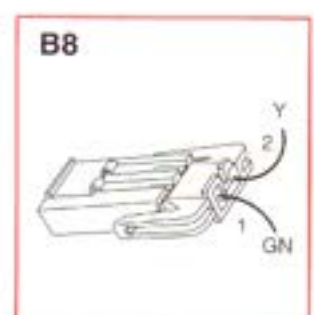
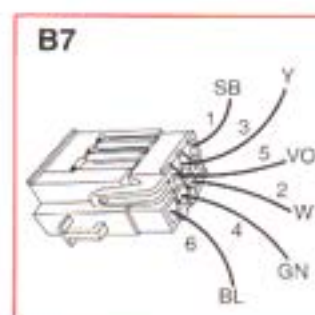
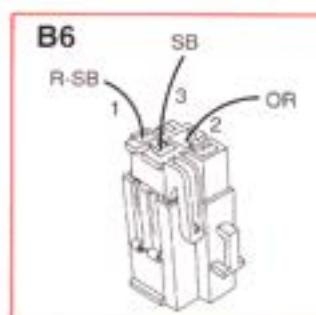
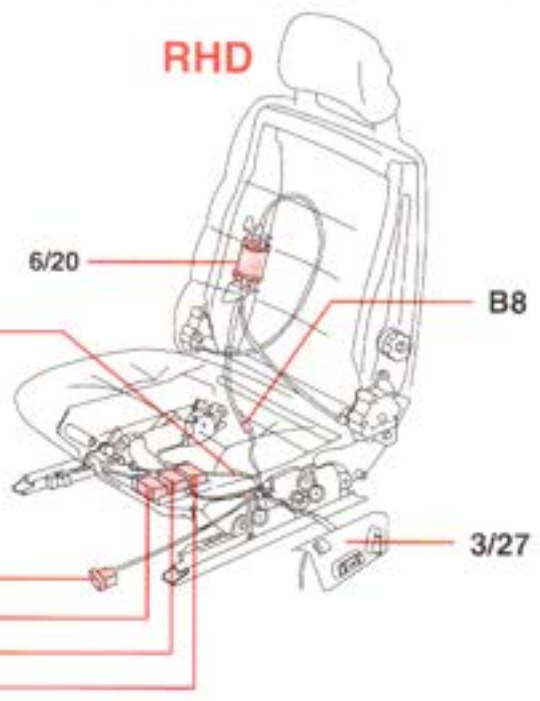
B6

6/21

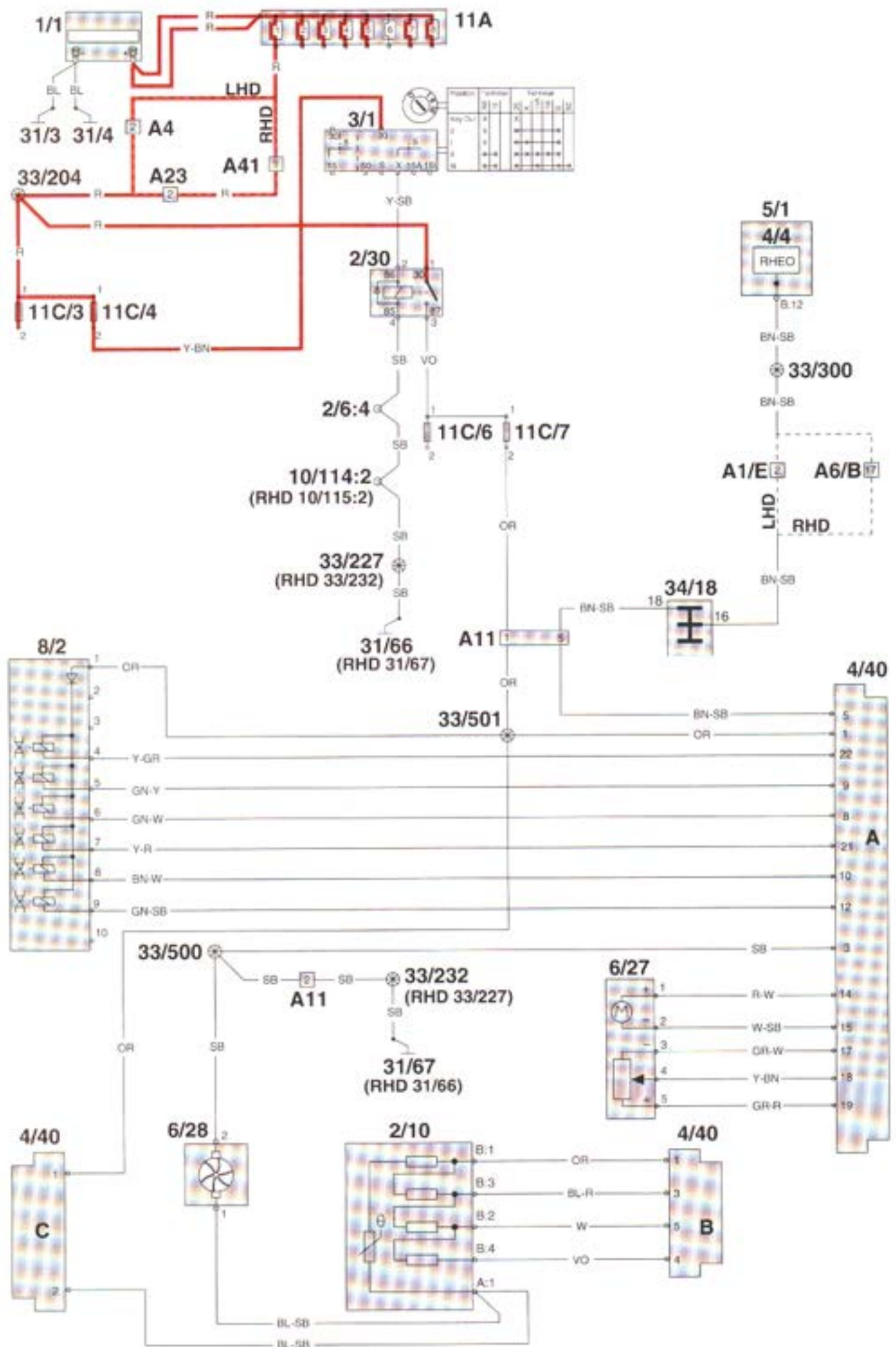
6/23

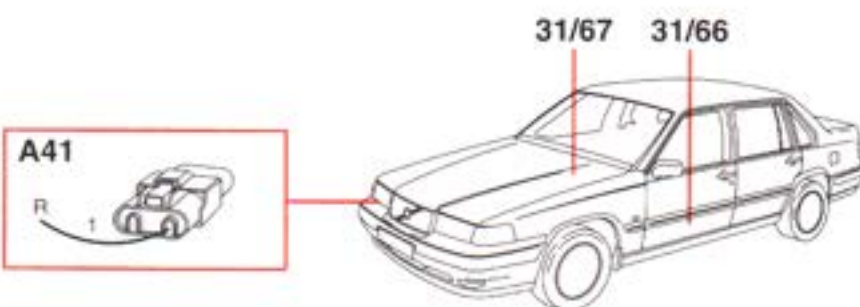
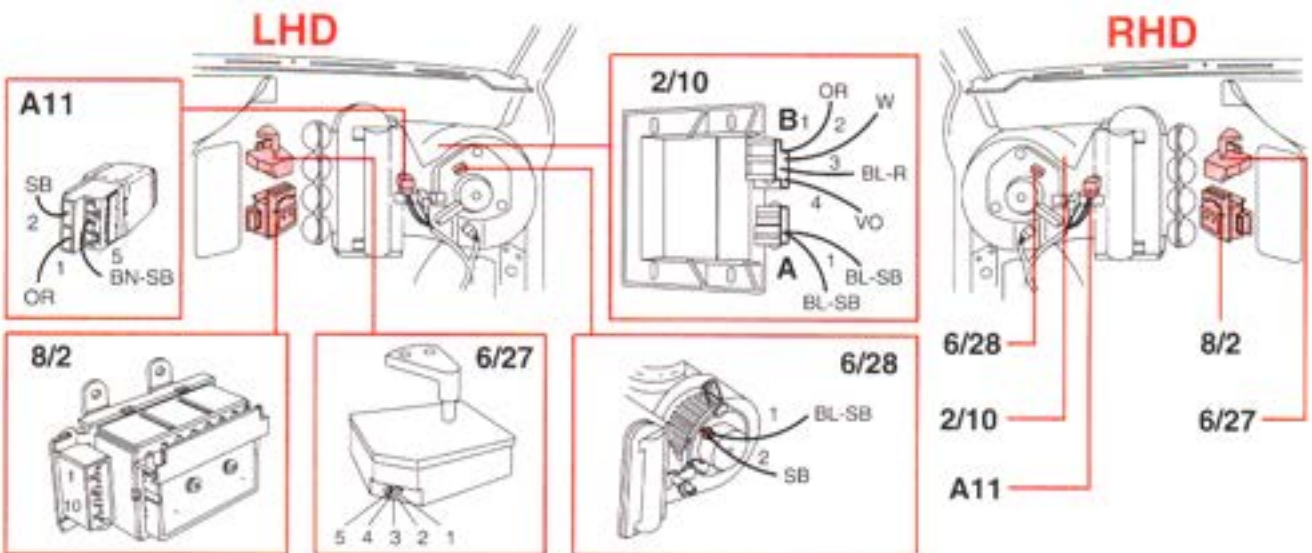
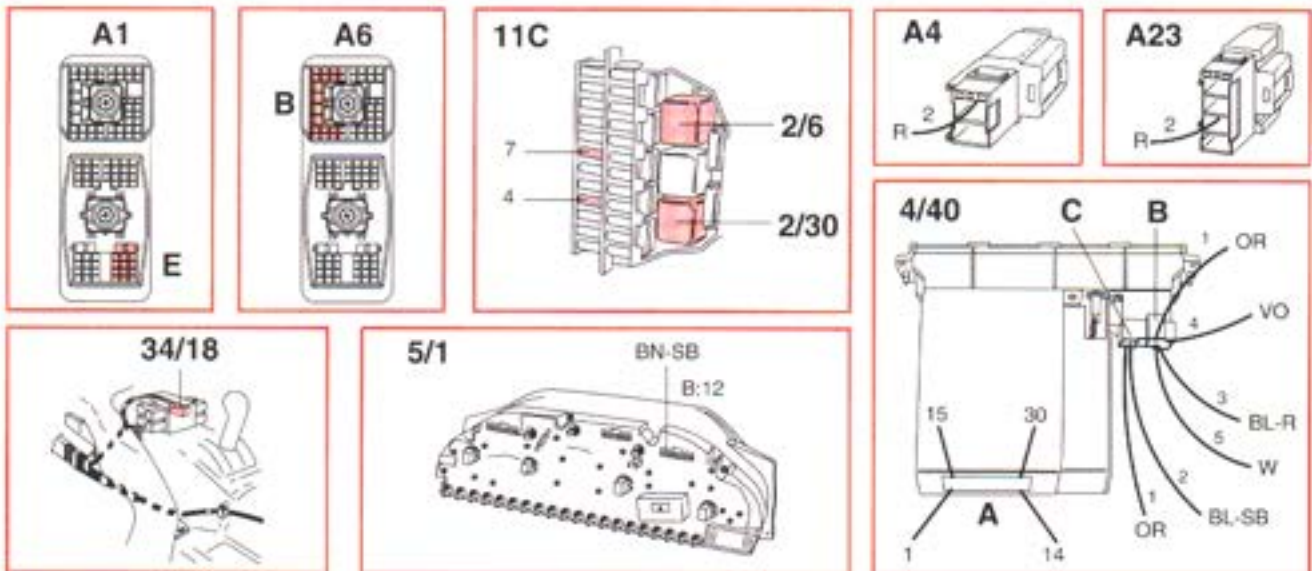
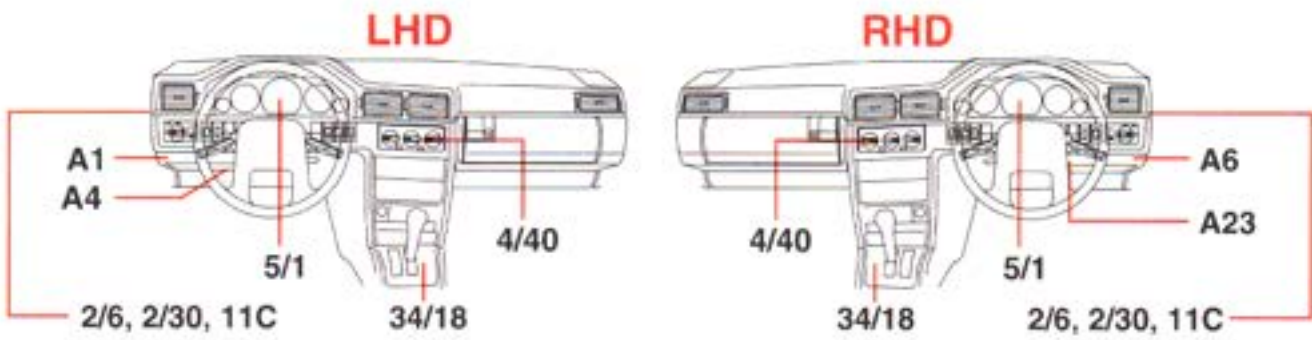
6/22

3/27

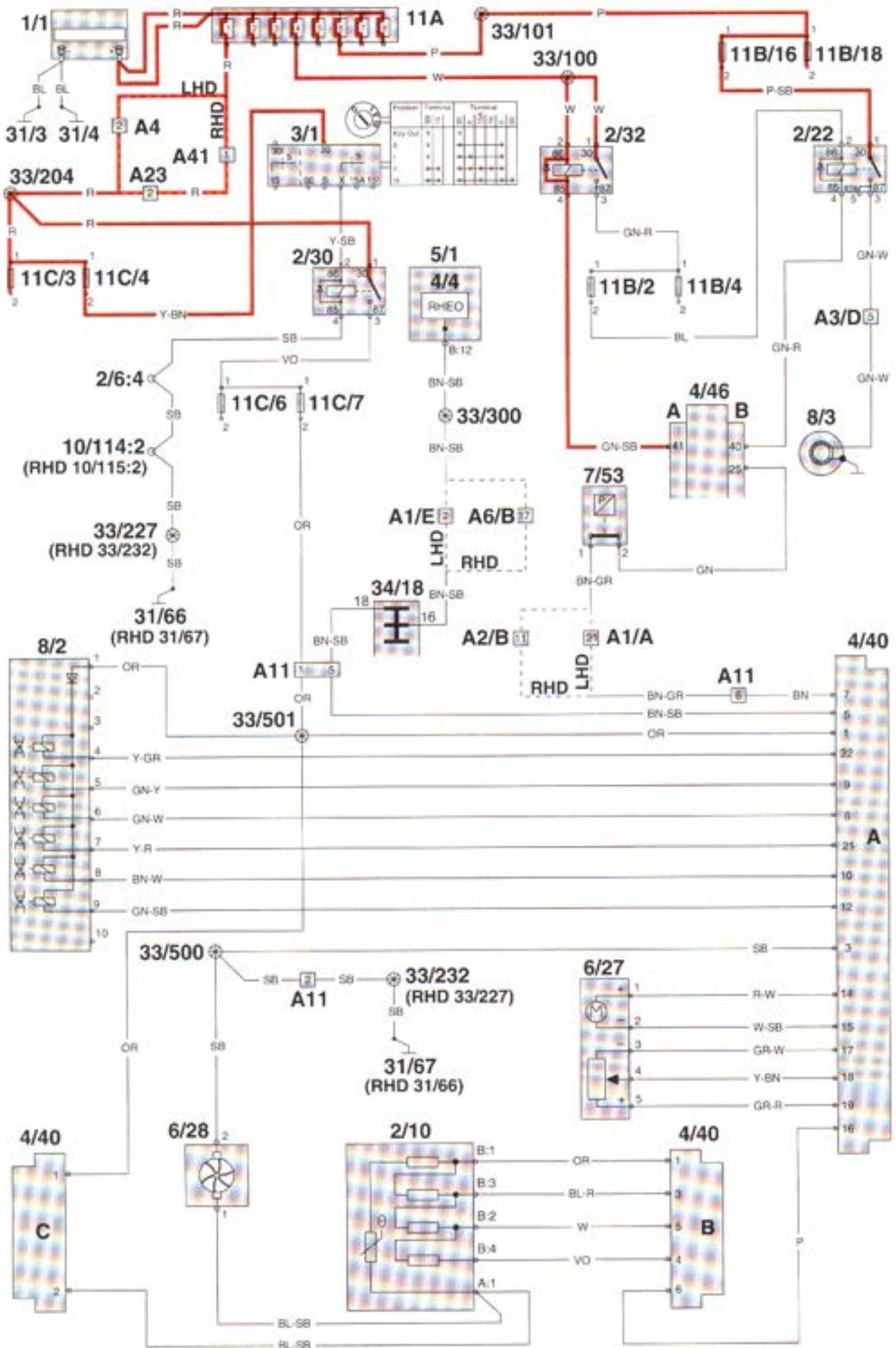


# Standard heater





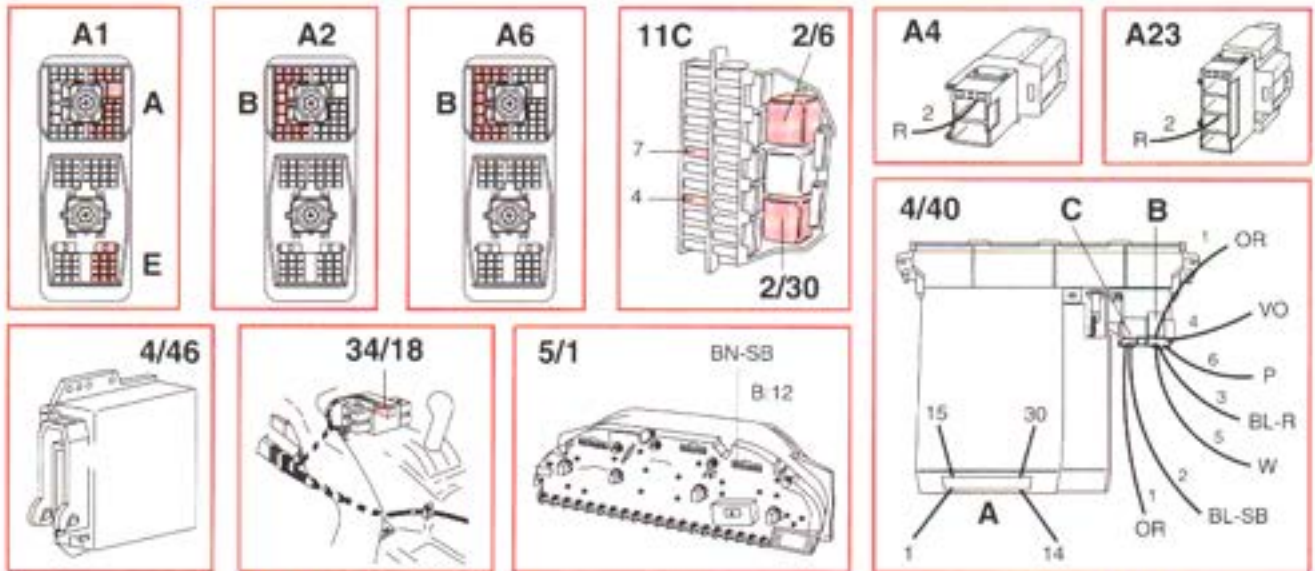
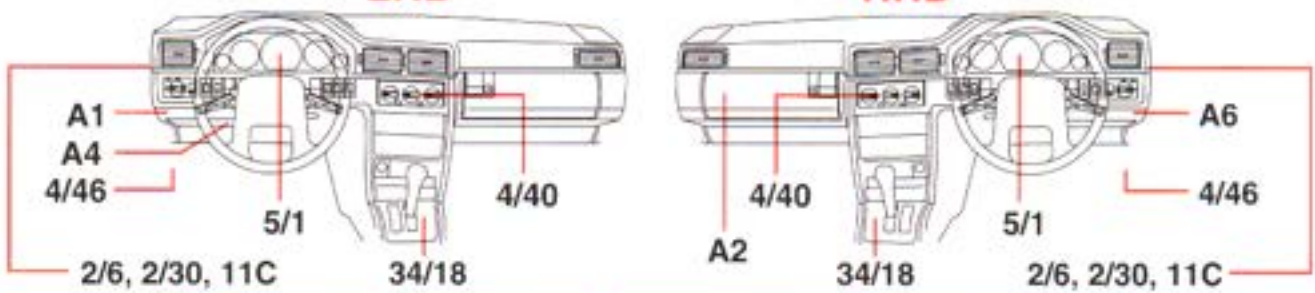
# Manual Climate Control unit MCC



# Manual Climate Control unit MCC

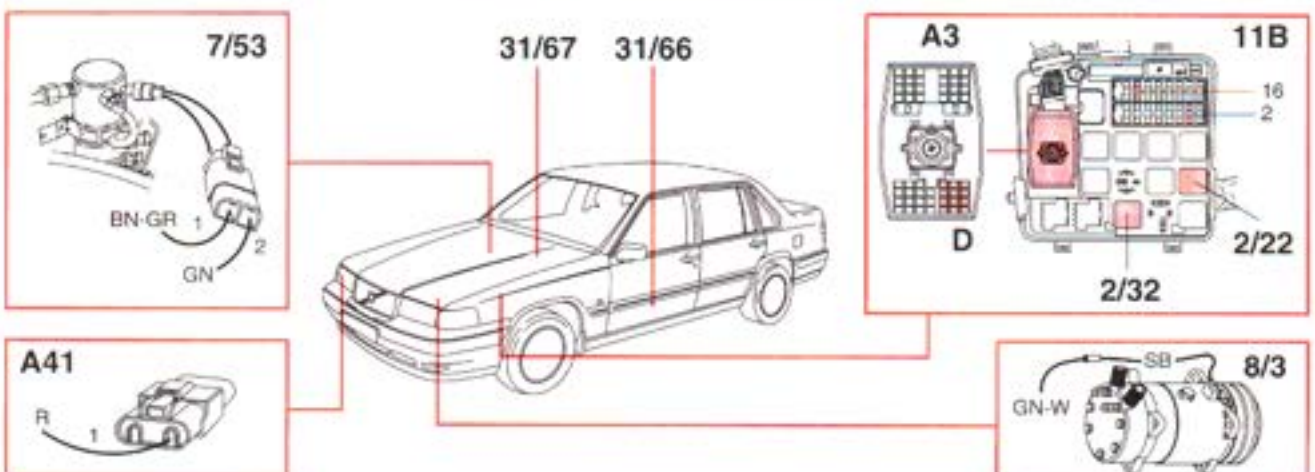
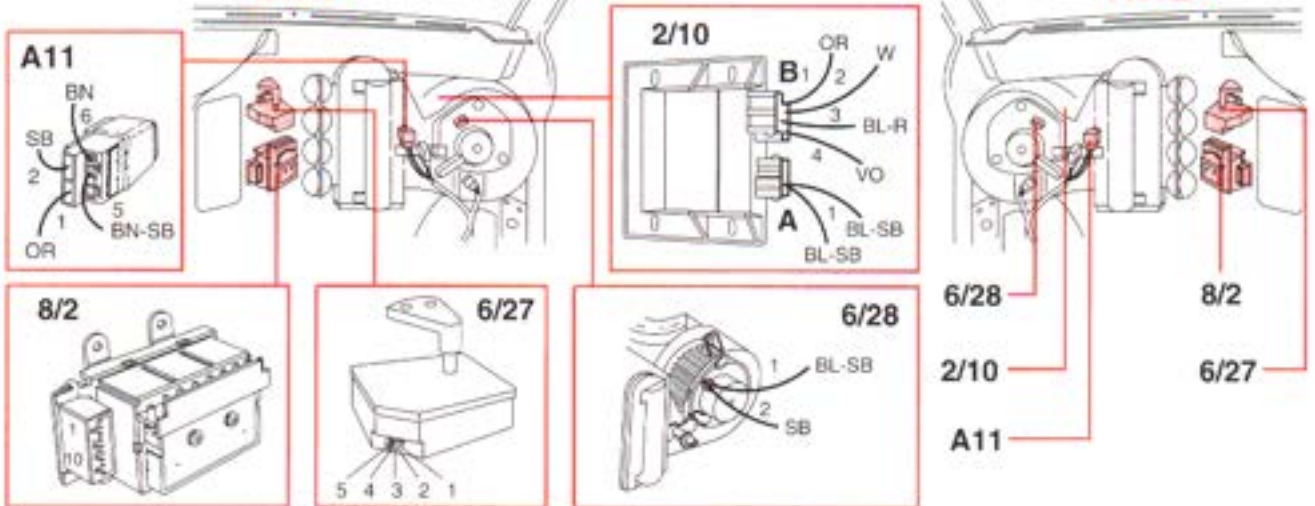
**LHD**

**RHD**

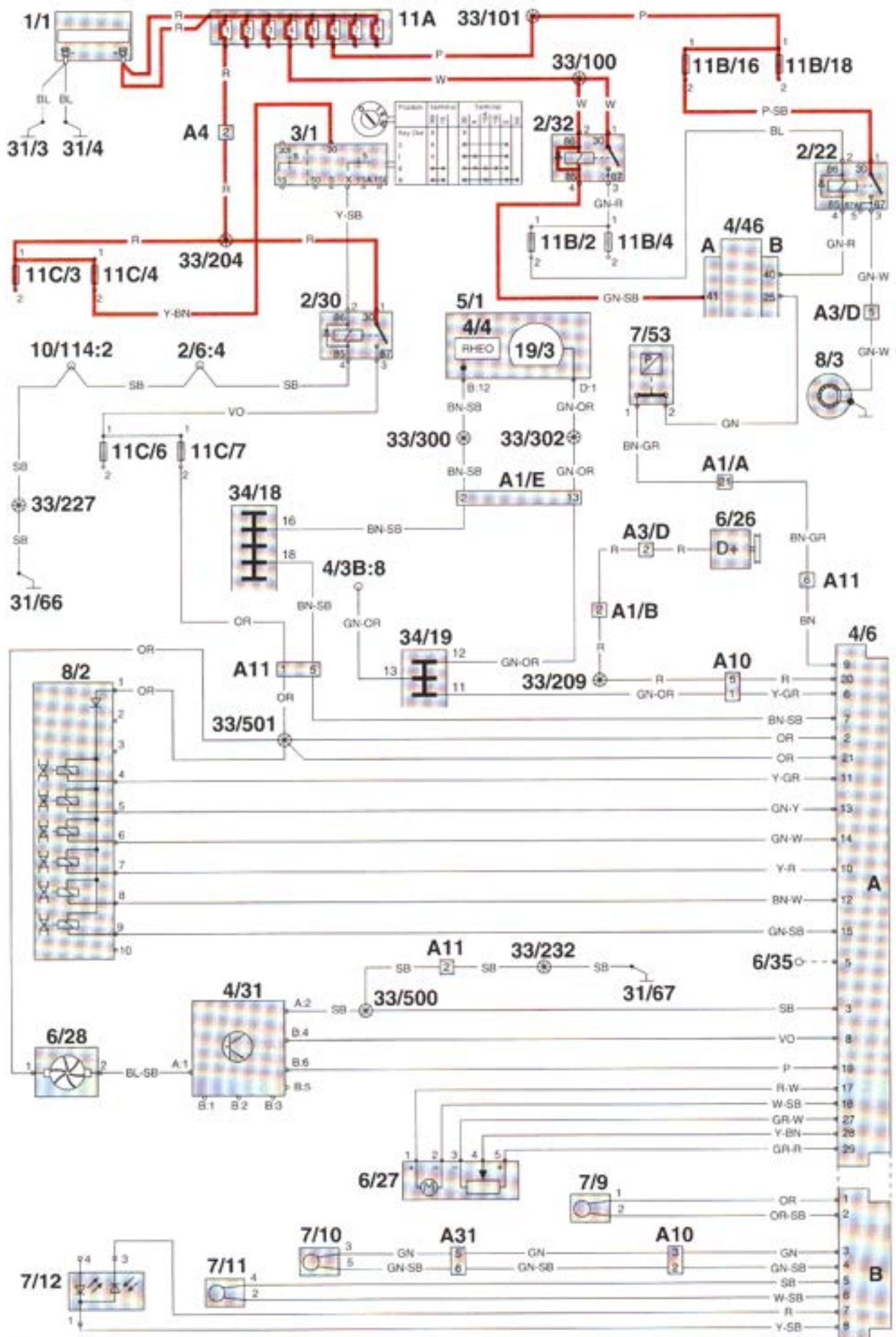


**LHD**

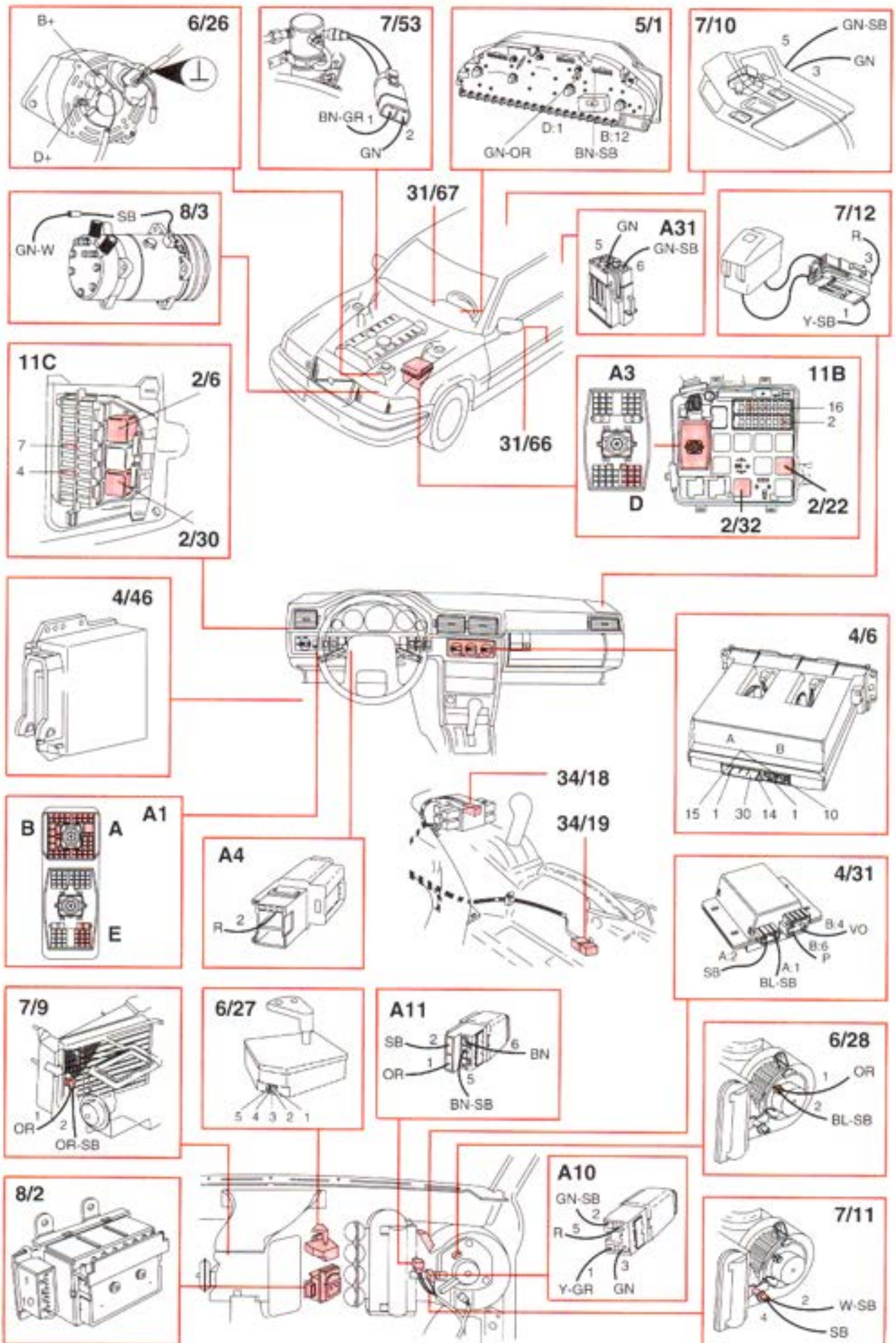
**RHD**



# Electronic climate control ECC Left-hand drive cars

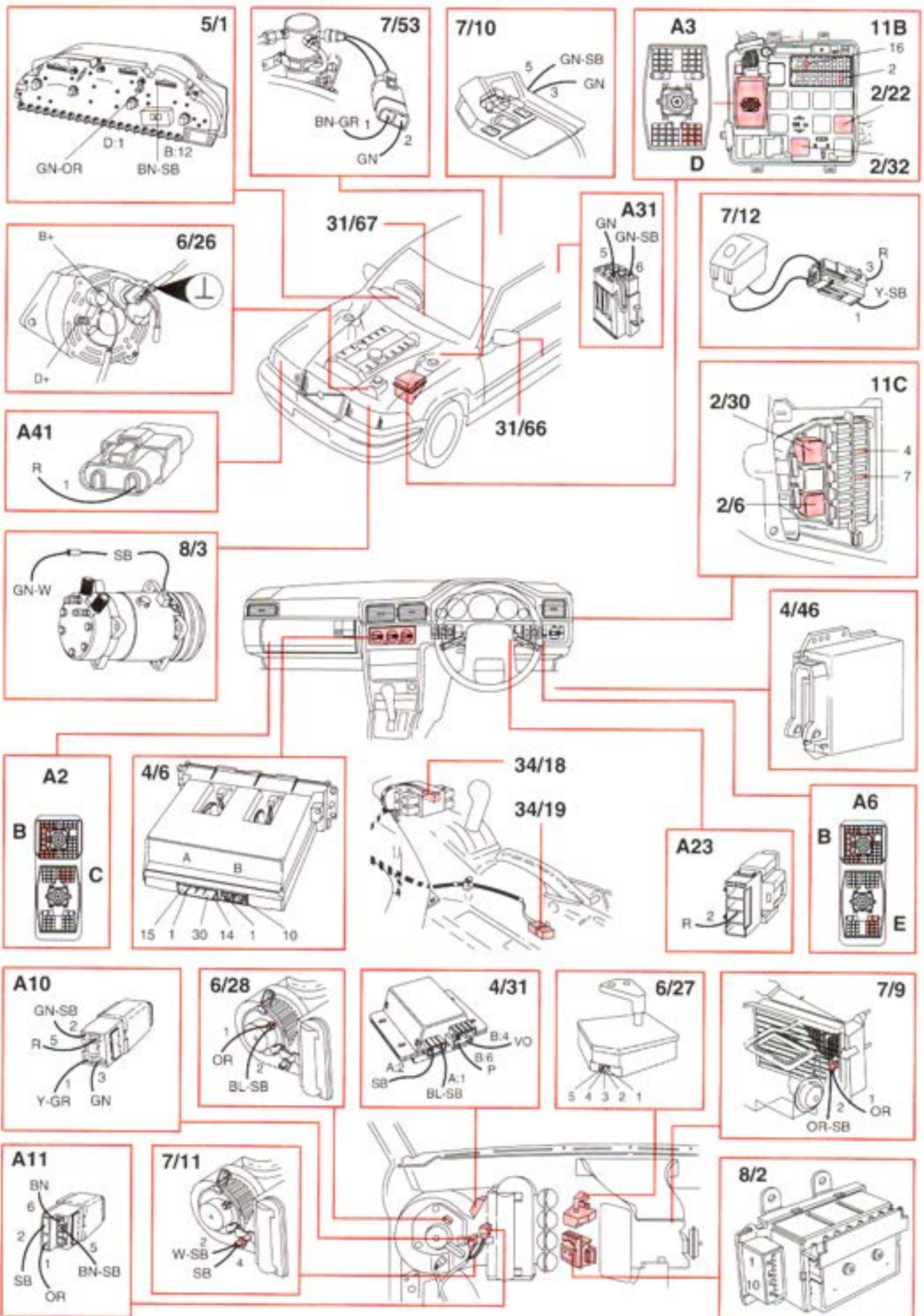


# Electronic climate control ECC Left-hand drive cars



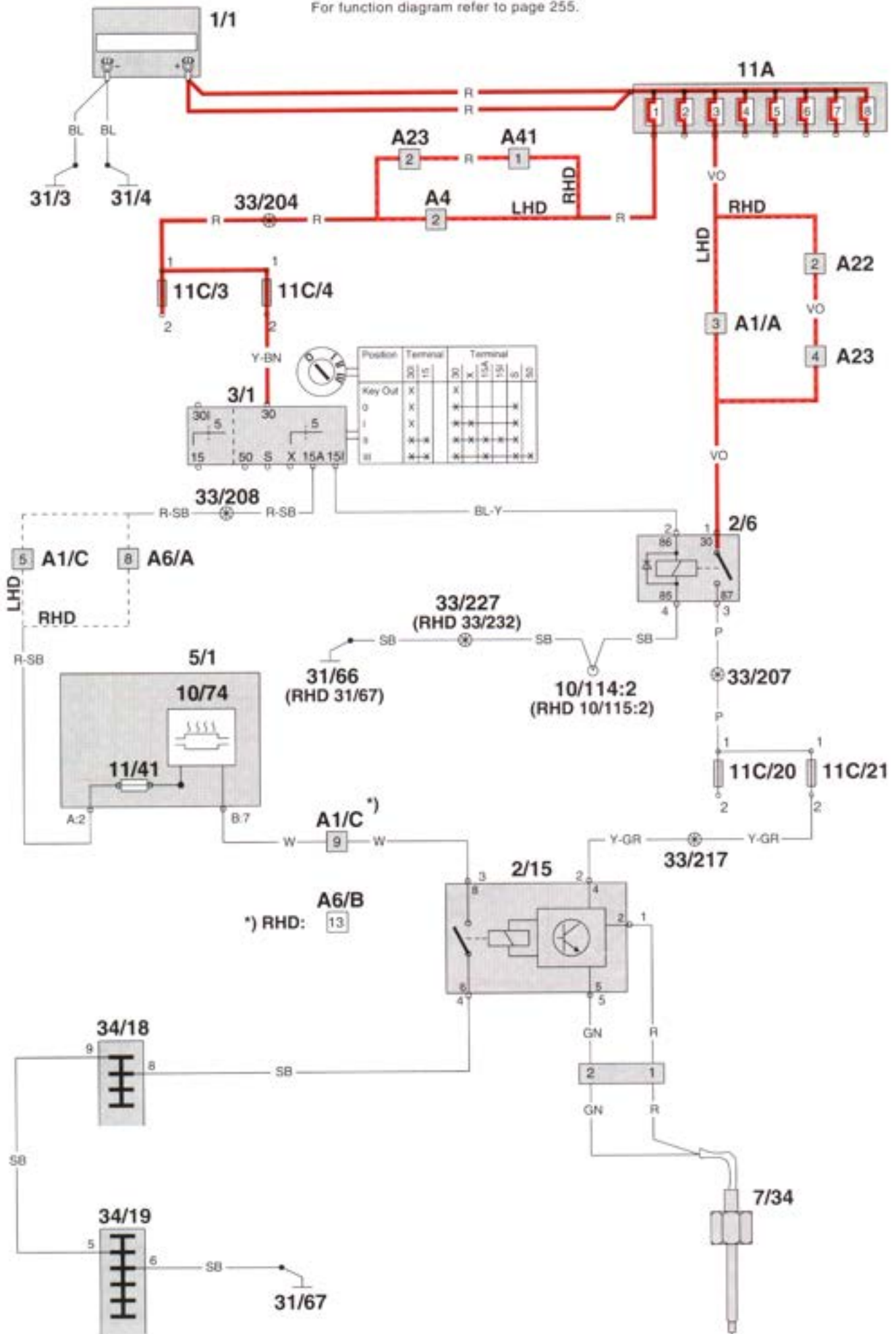


# Electronic climate control ECC Right-hand drive cars

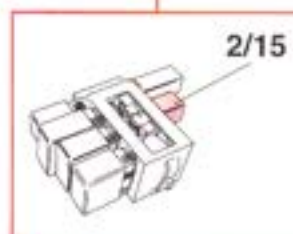
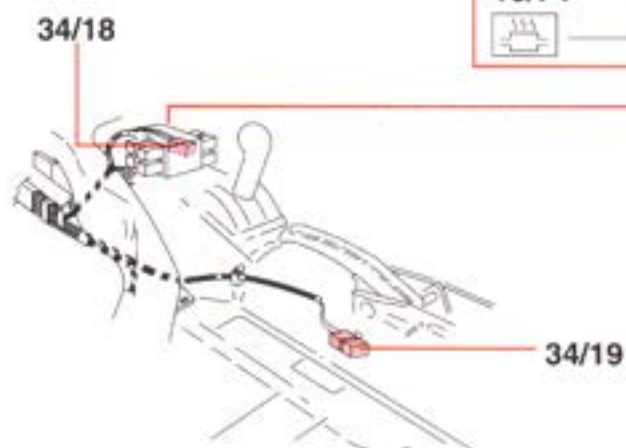
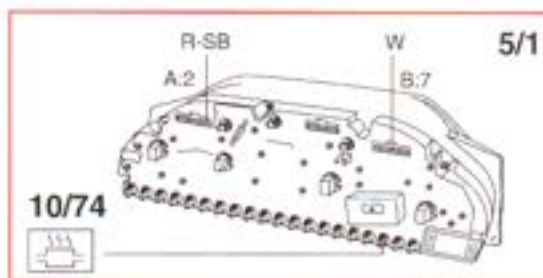
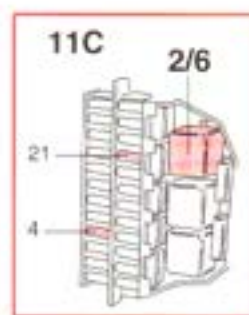
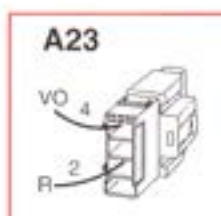
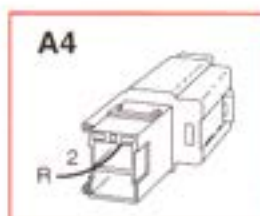
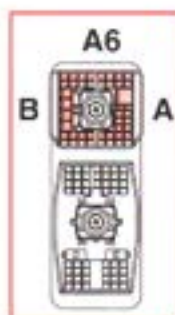
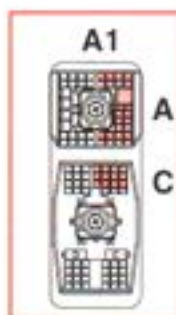
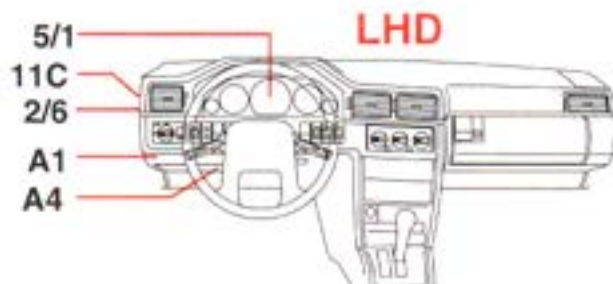
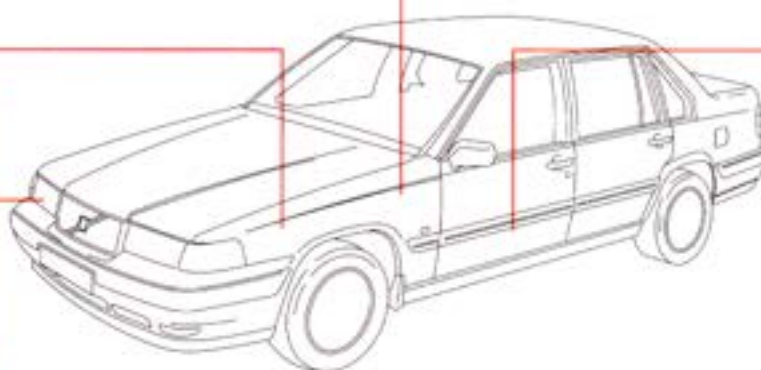
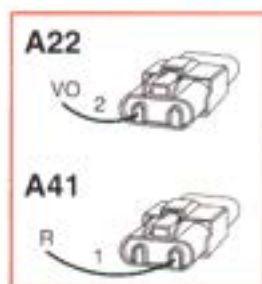
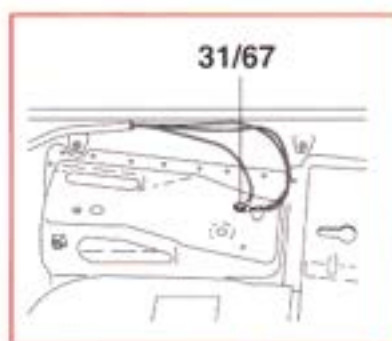
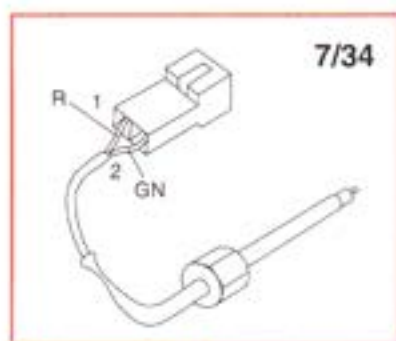


# Exhaust temperature switch

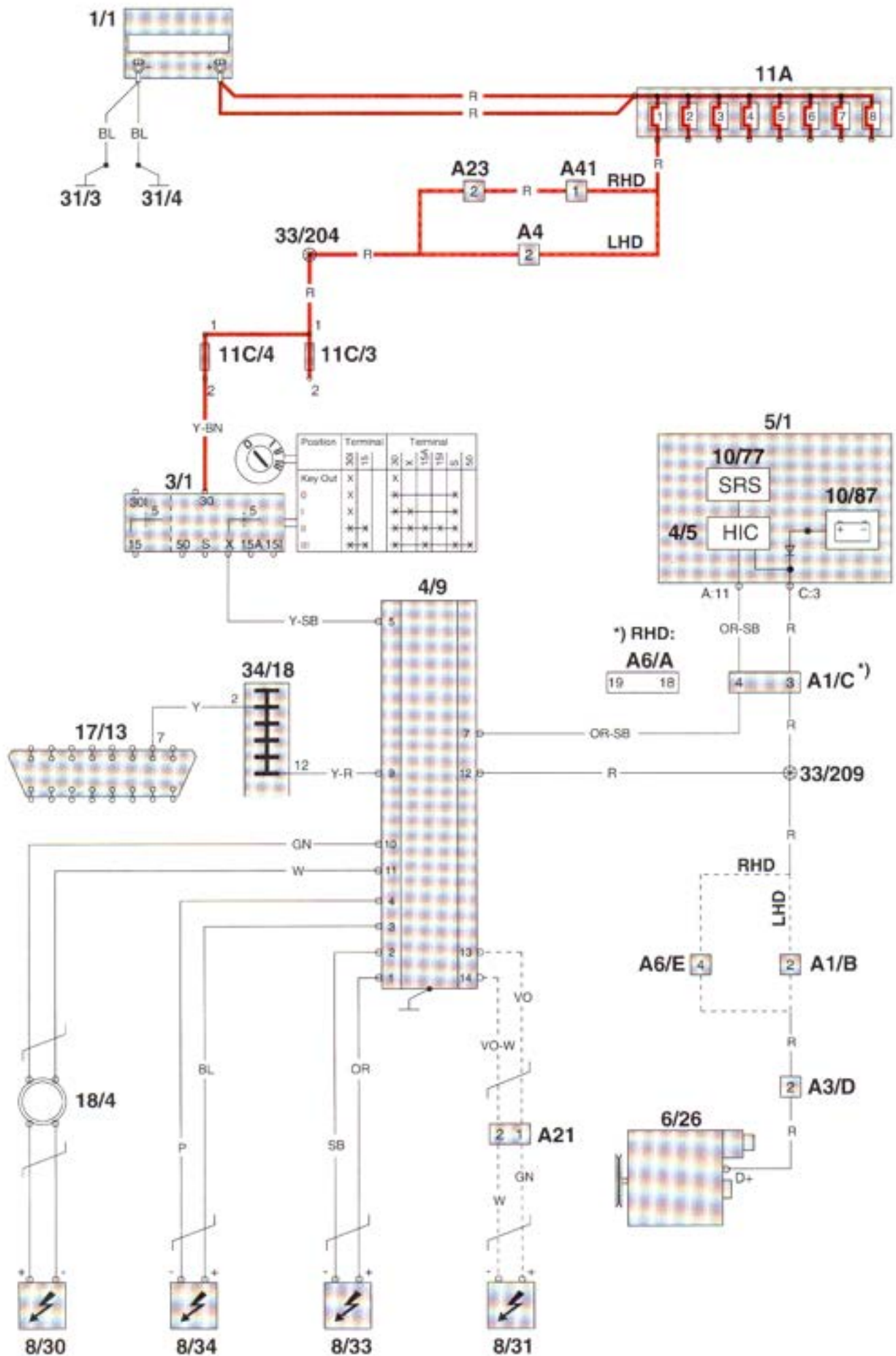
For function diagram refer to page 255.



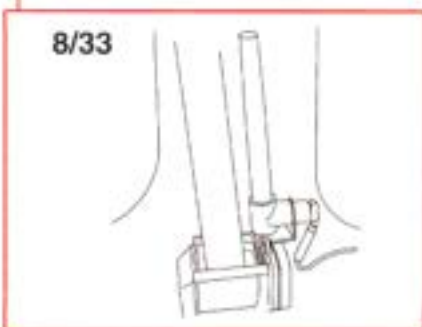
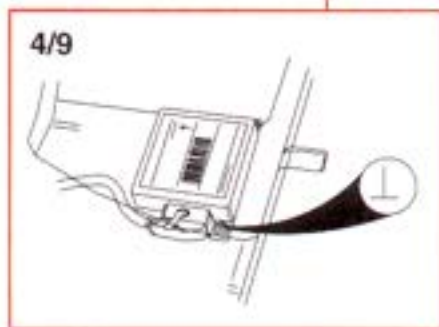
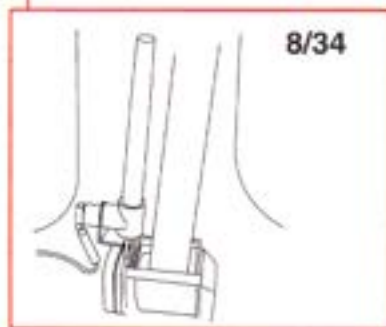
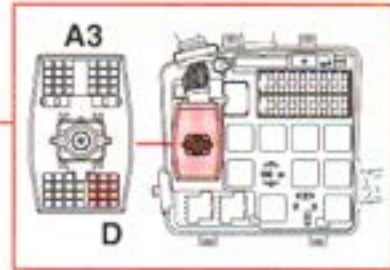
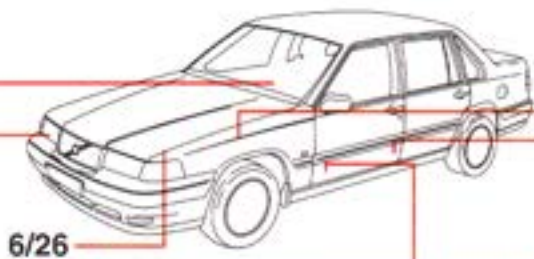
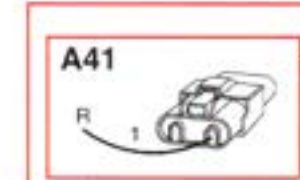
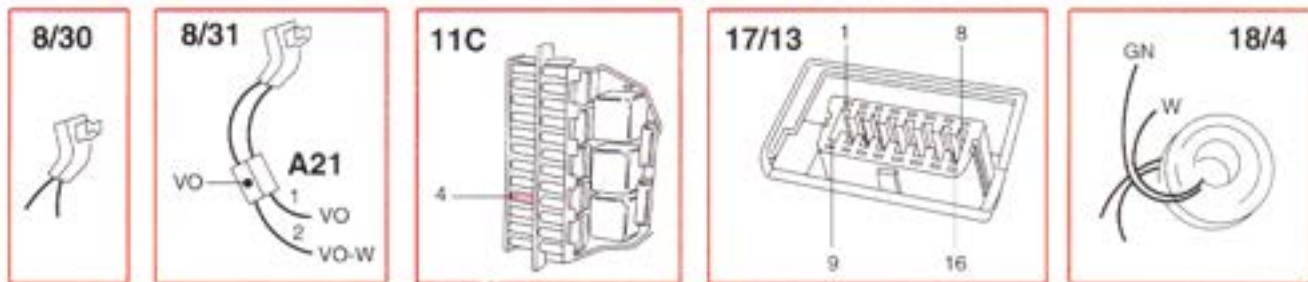
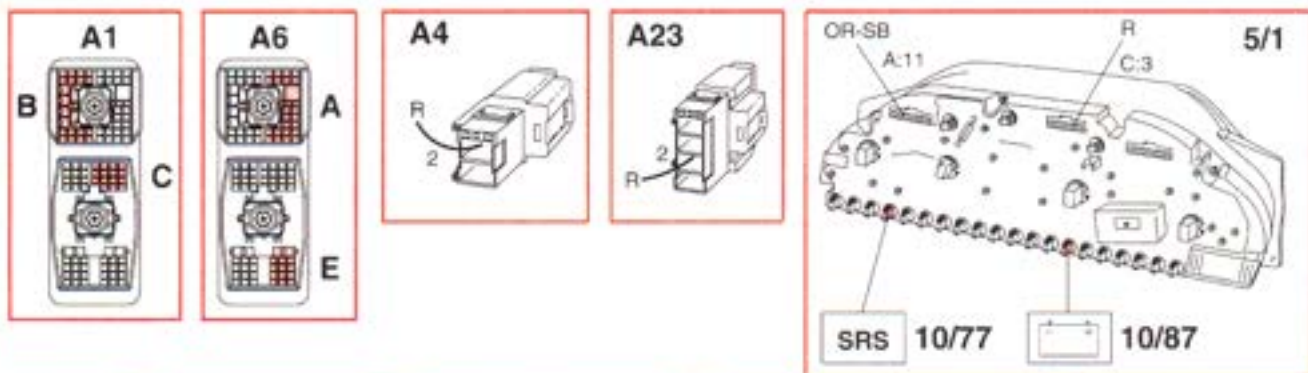
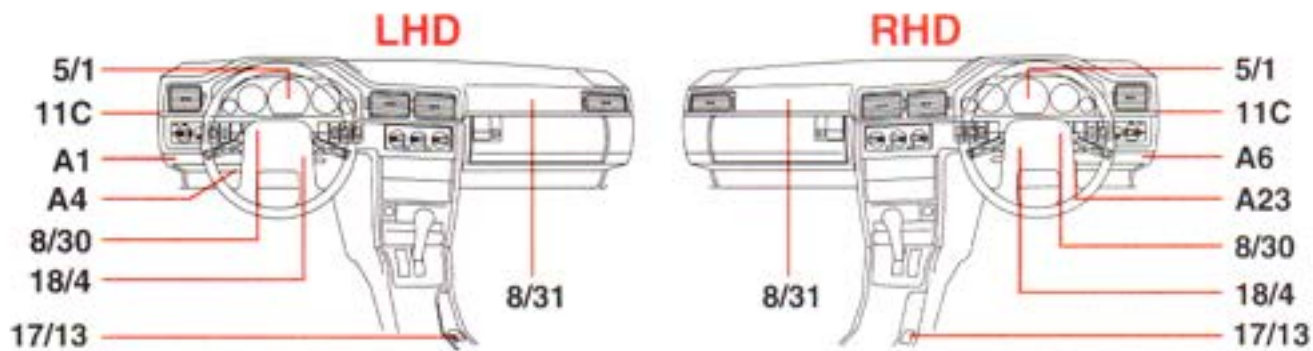
# Exhaust temperature switch



# SRS Supplemental Restraint System

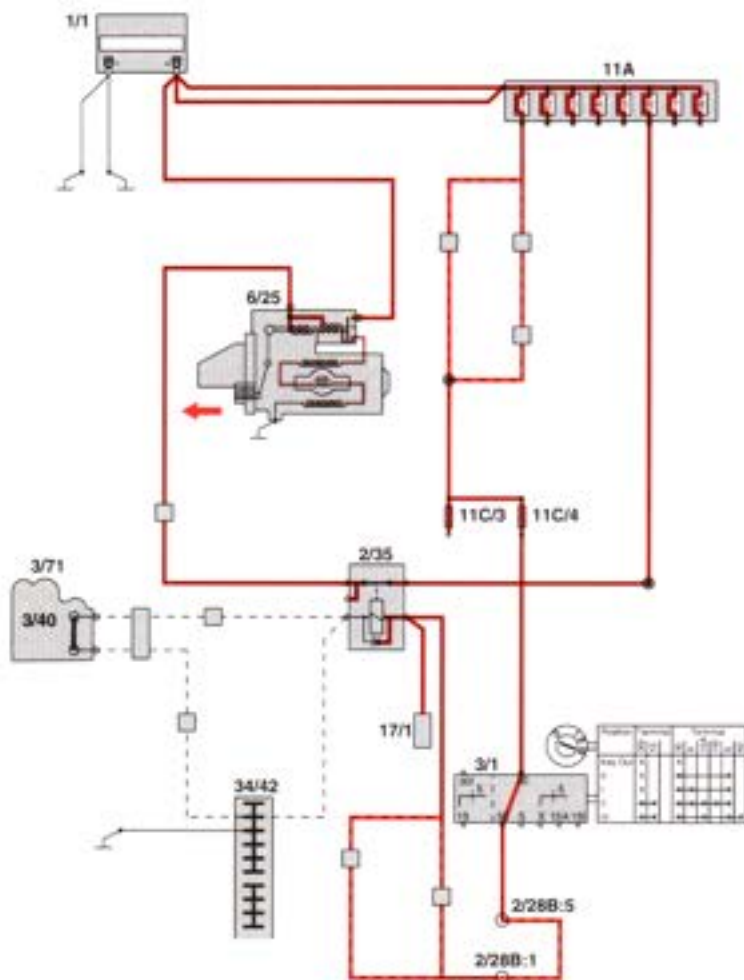


# SRS Supplemental Restraint System



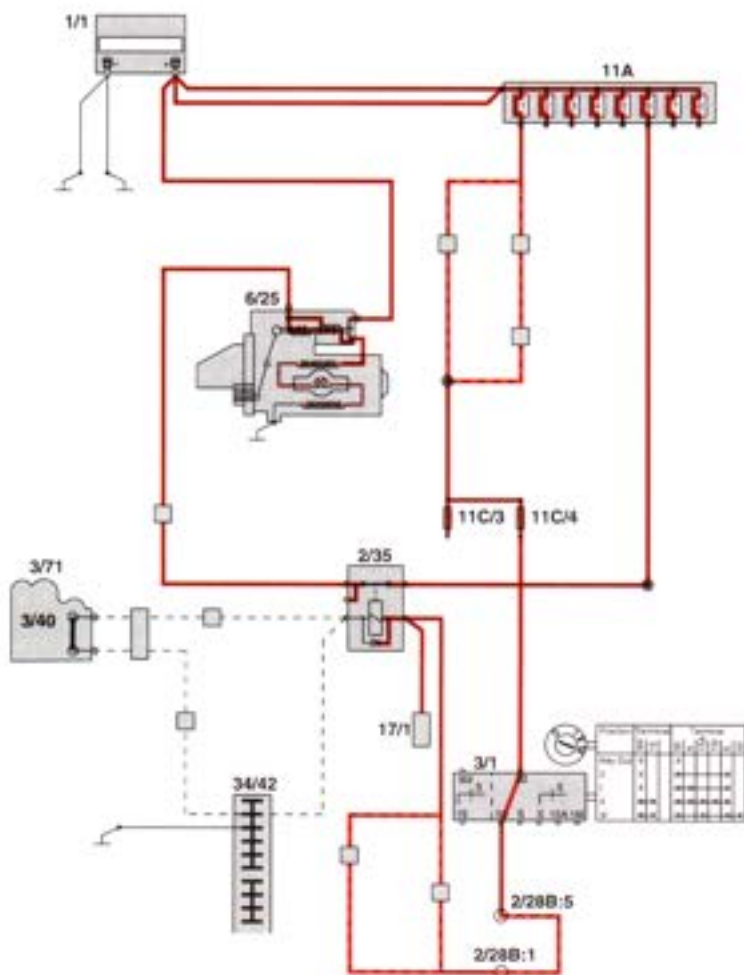


## Starter system Function diagram



The solenoid pushes the starter cog to engage the flywheel rim teeth.

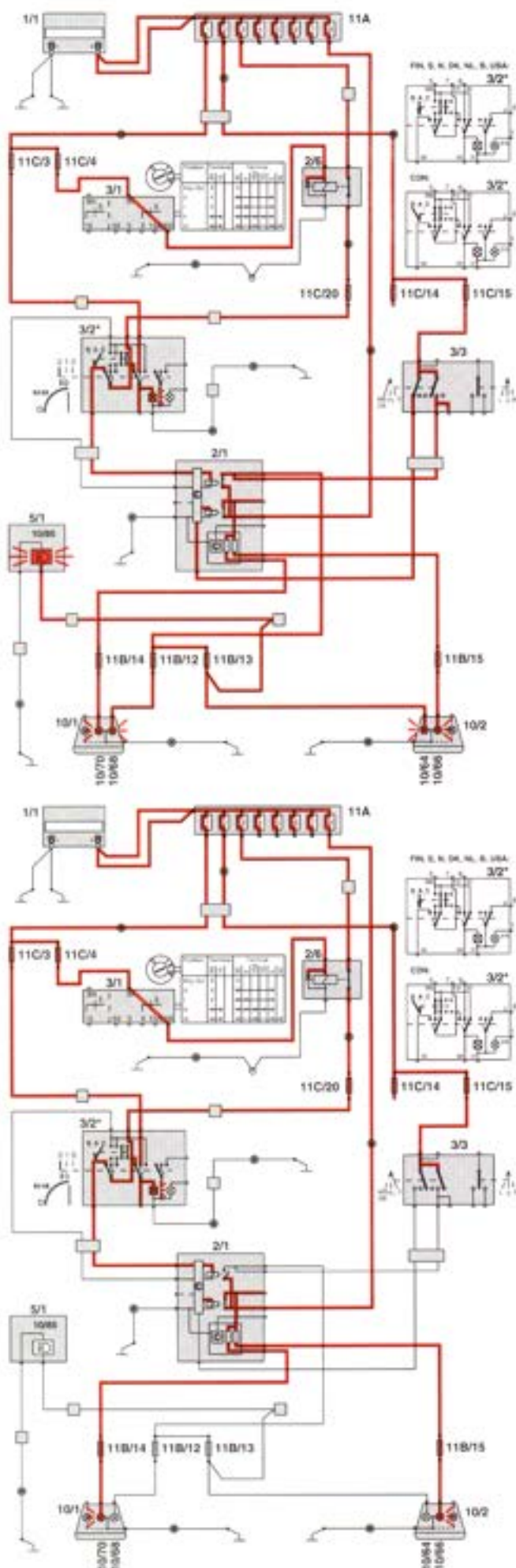
In cars with automatic transmission the Park/Neutral position (PNP) switch, 3/40, must be closed for the starter motor to obtain current.



The starter cog is engaged the switches are closed and the starter motor begins to operate.

# High and Low beams, left-hand drive cars

## Function diagram



### High beam

Ignition on

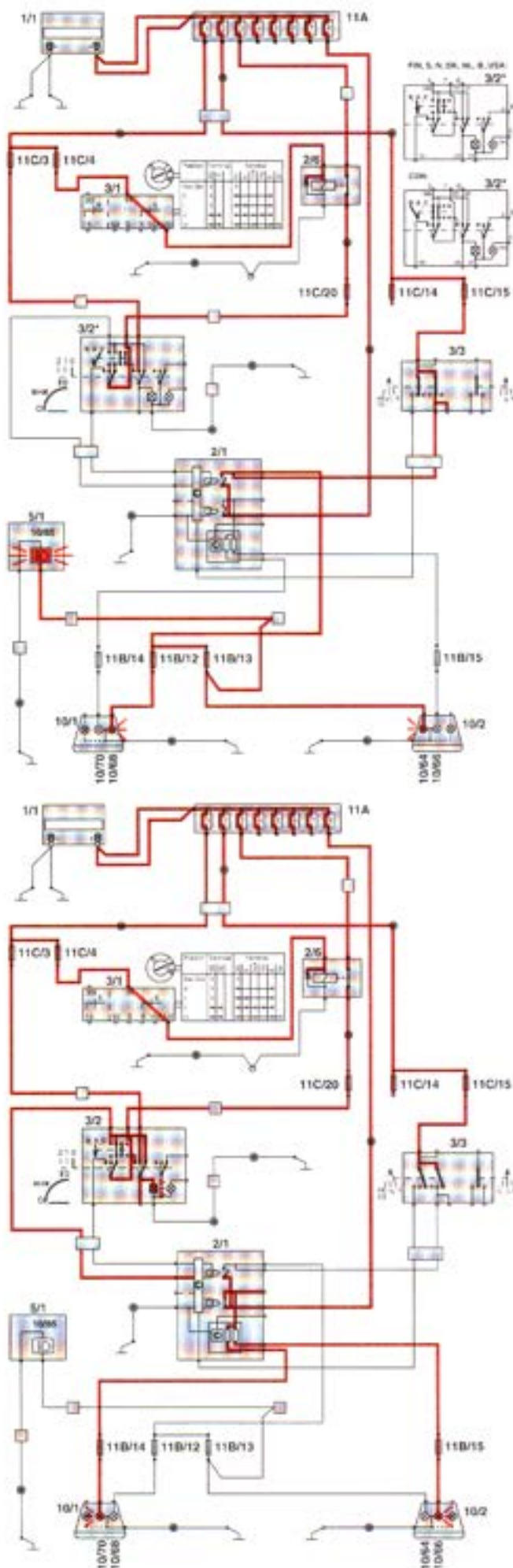
Light switch in headlamp position and switch for high/low beam in high beam position.

### Low beam

Ignition on

Light switch in headlamp position and switch for high/low beam in from position.

## High and Low beams, left-hand drive cars Function diagram



### High beam flasher

Ignition on

Light switch in position from and switch for high/low beam in high beam flash position.

### Automatic low beam

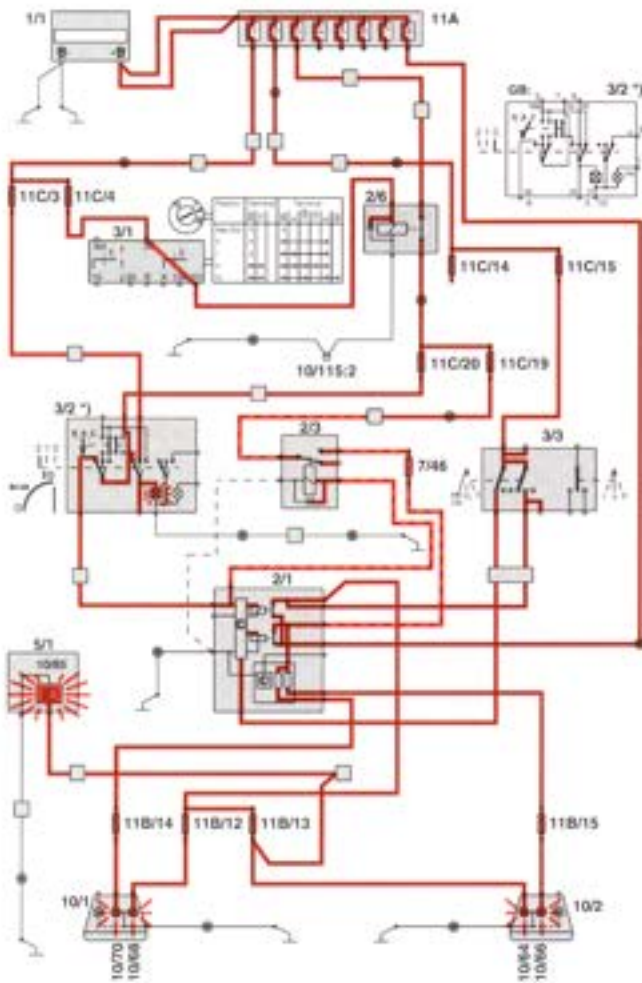
(Only Scandinavia, Holland, Belgium and USA)

Ignition on

Light switch in from position and switch for high/low beam in from position

# High and Low beams, right-hand drive cars

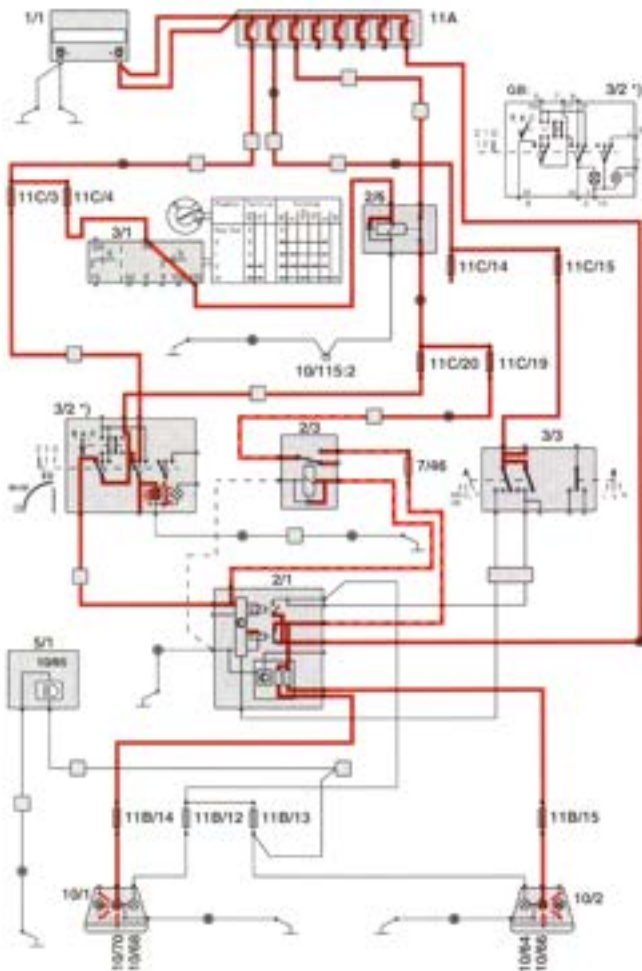
## Function diagram



### High beam

Ignition on

Light switch in headlamp position and switch for high/low beam in high beam position.

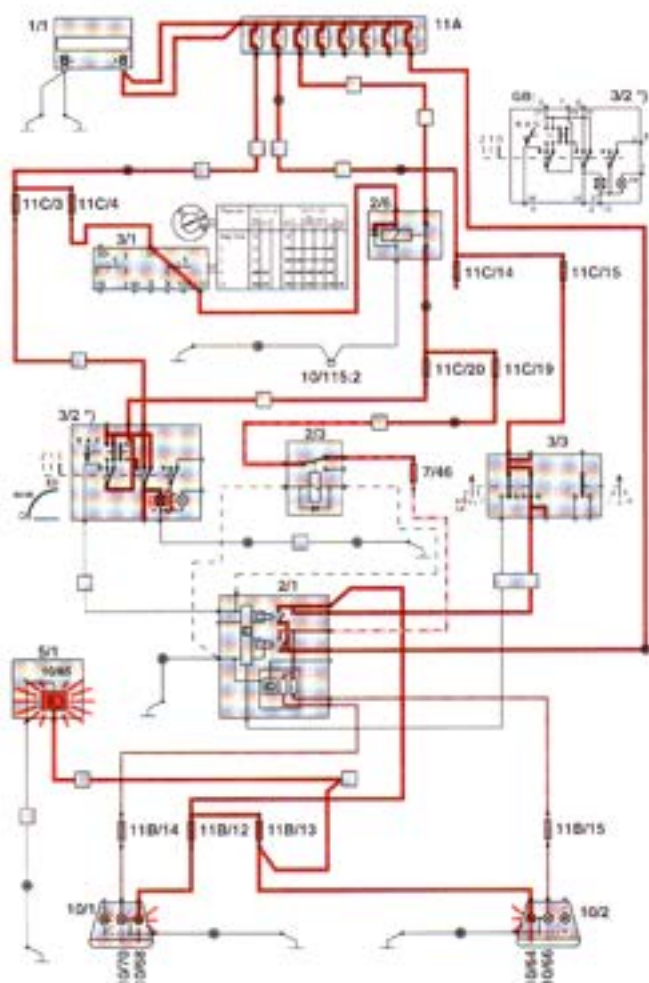


### Low beam

Ignition on

Light switch in headlamp position and switch for high/low beam in from position.

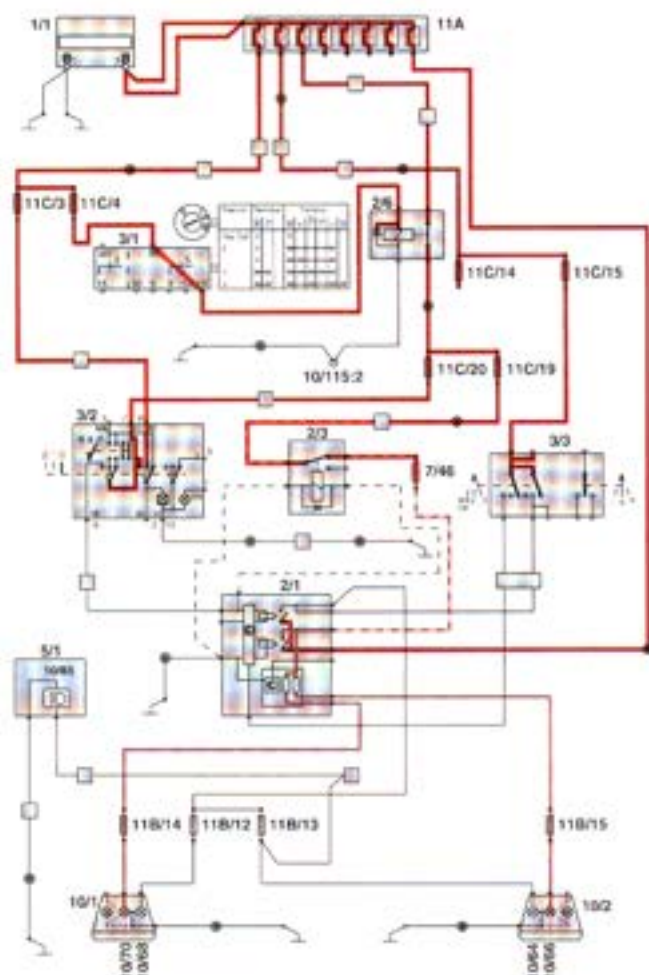
## High and Low beams, right-hand drive cars Function diagram



### High beam flasher

Ignition on

Light switch in position from and switch for high/low beam in high beam flash position.

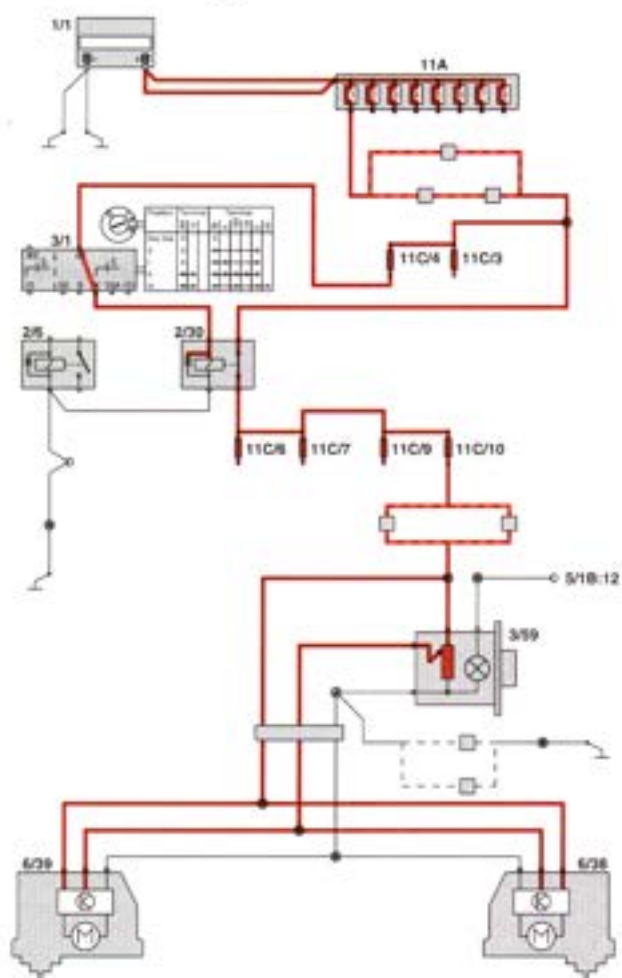


### Automatically reduced low beam (Only Great Britain)

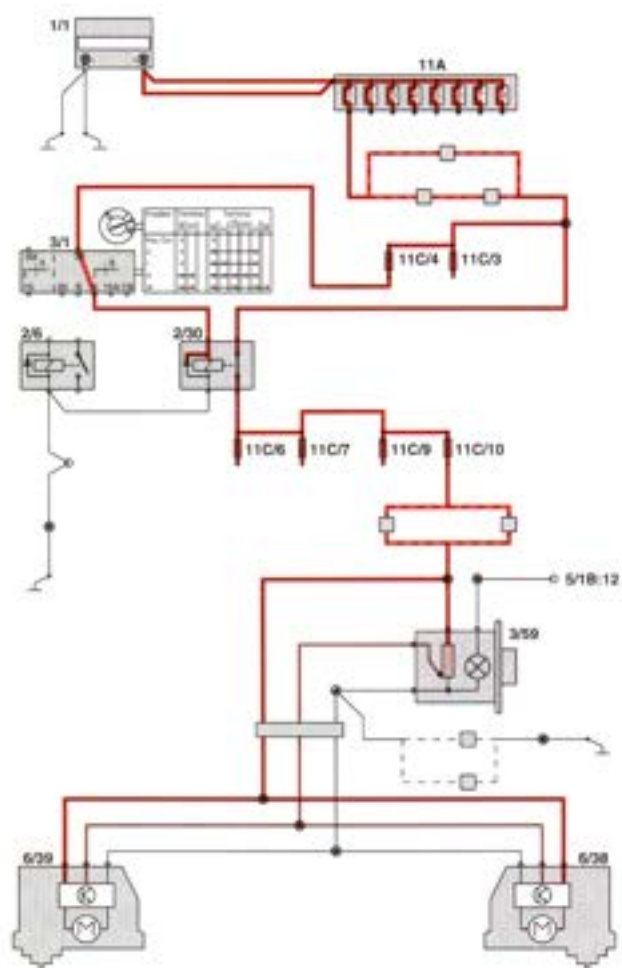
Ignition on

Light switch in from position and switch for high/low beam in from position

## Headlamp range adjustment Function diagram

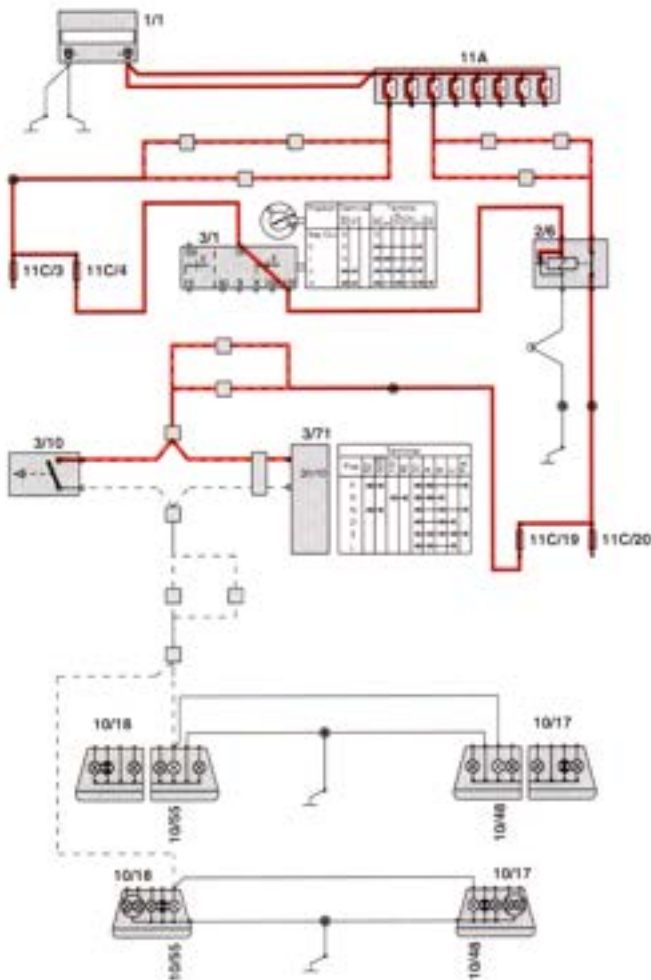


Ignition on  
Headlamps in highest position.  
Current from headlamp range adjuster,  
3/59, approximately 11 volts.

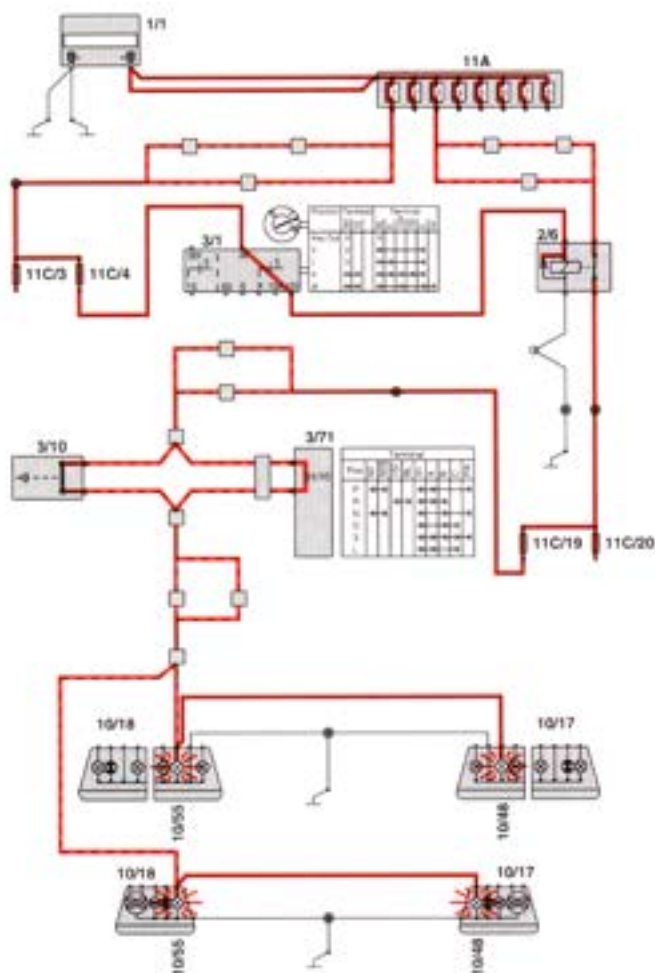


Ignition on  
Headlamps in lowest position.  
Current from headlamp range adjuster,  
3/59, approximately 1 volt.

## Back-up (reversing) lamps Function diagram

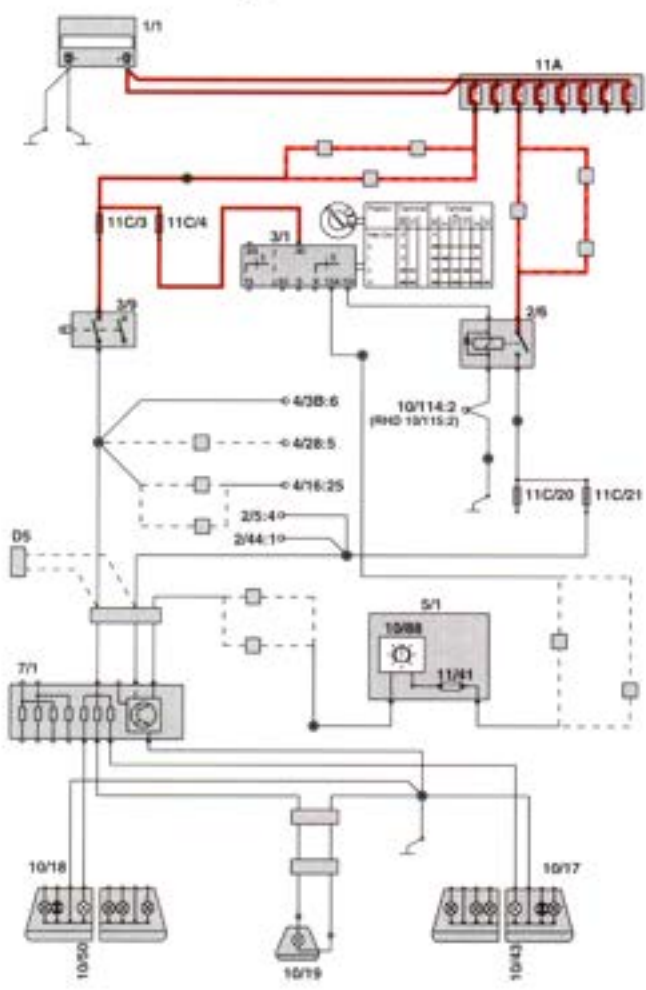


Ignition on  
Back-up (reverse) gear not engaged.

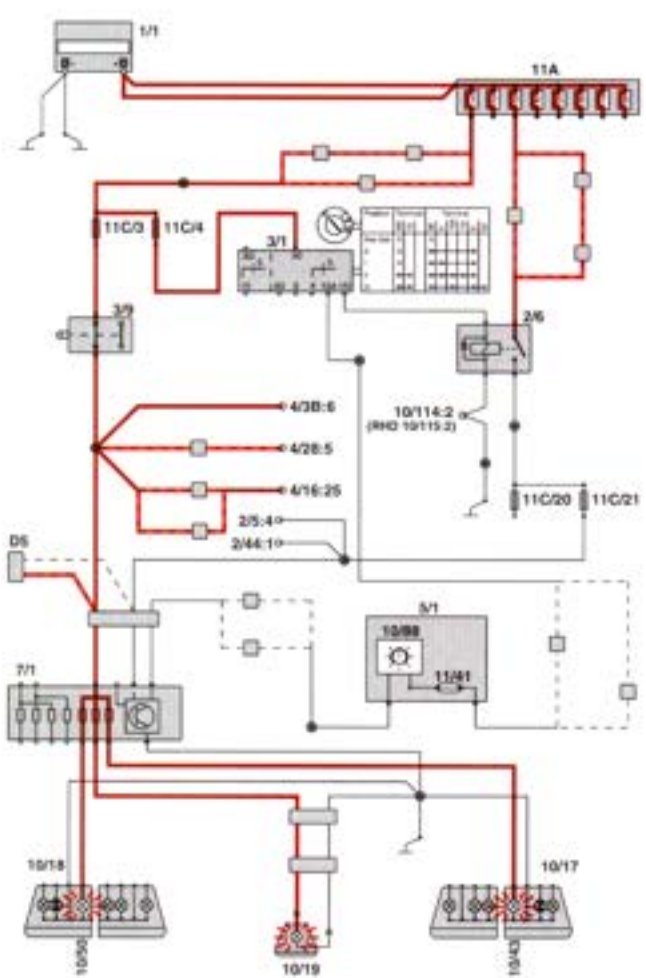


Ignition on  
Back-up (reverse) gear engaged.

# Stop (brake) lights, 4-door Function diagram

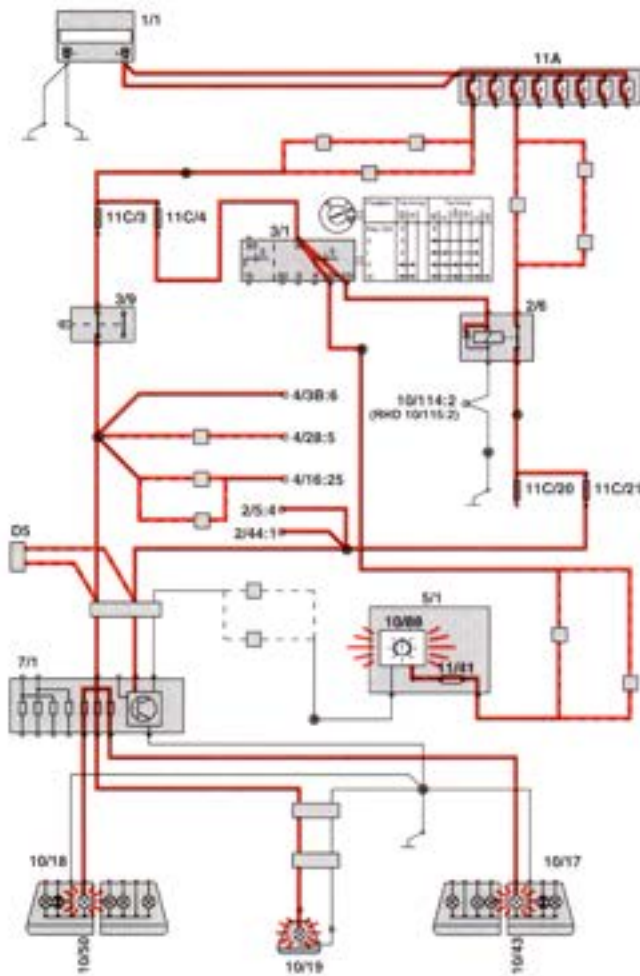


Brakes not depressed



Brake pedal pressed down

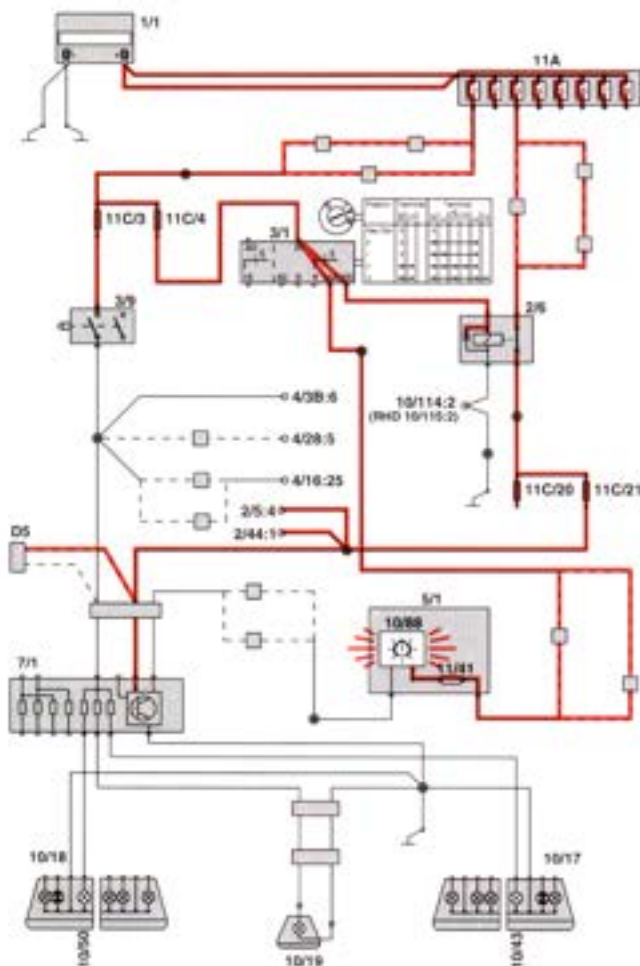
## Stop (brake) lights, 4-door Function diagram



Ignition on.

Brake pedal pressed down.  
Right stop (brake) lamp bulb broken.

Bulb failure warning sensor, 7/1, senses imbalance in current and connects bulb failure warning sensor indicator lamp to ground, which then lights.

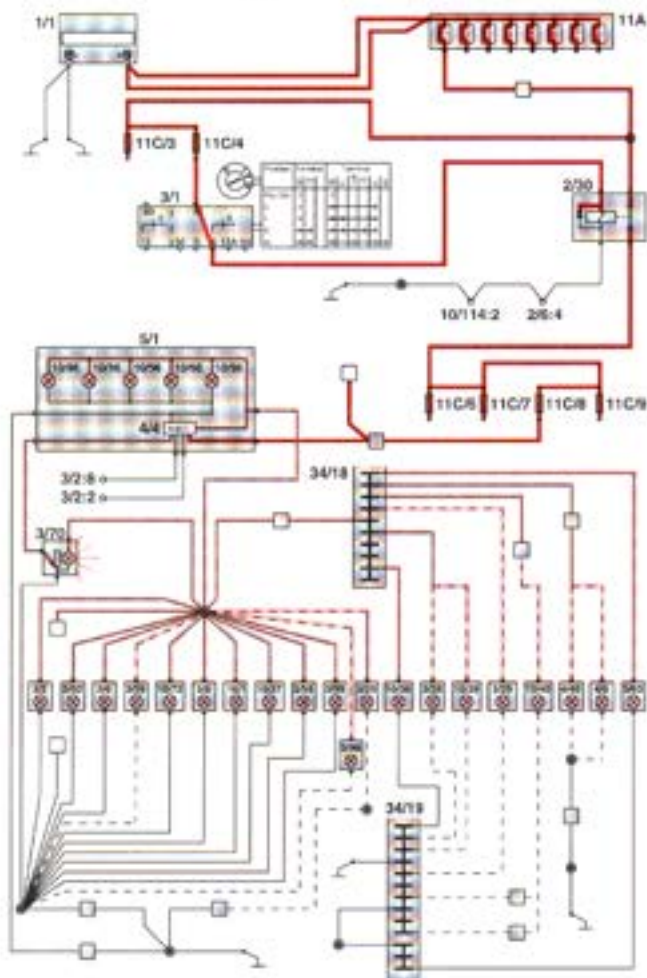


Checking brake wiring (certain markets)

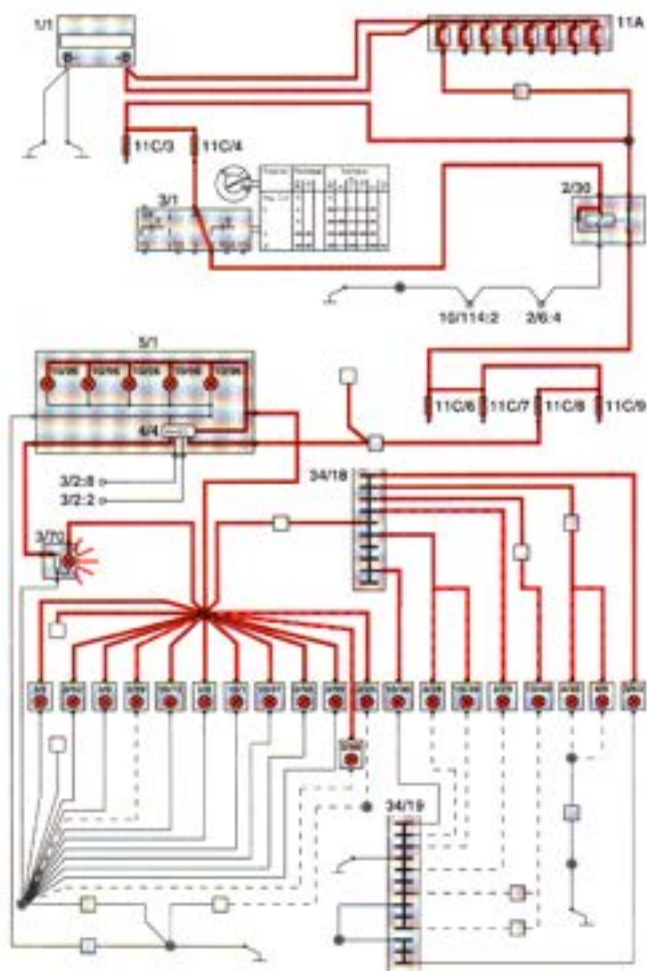
Ignition on and bulb failure warning lamp lit.

If the system is fault free, the stop (brake) lamp lights and the indicator lamp goes out when the brake pedal is depressed.

# Instrument and control lighting Function diagram

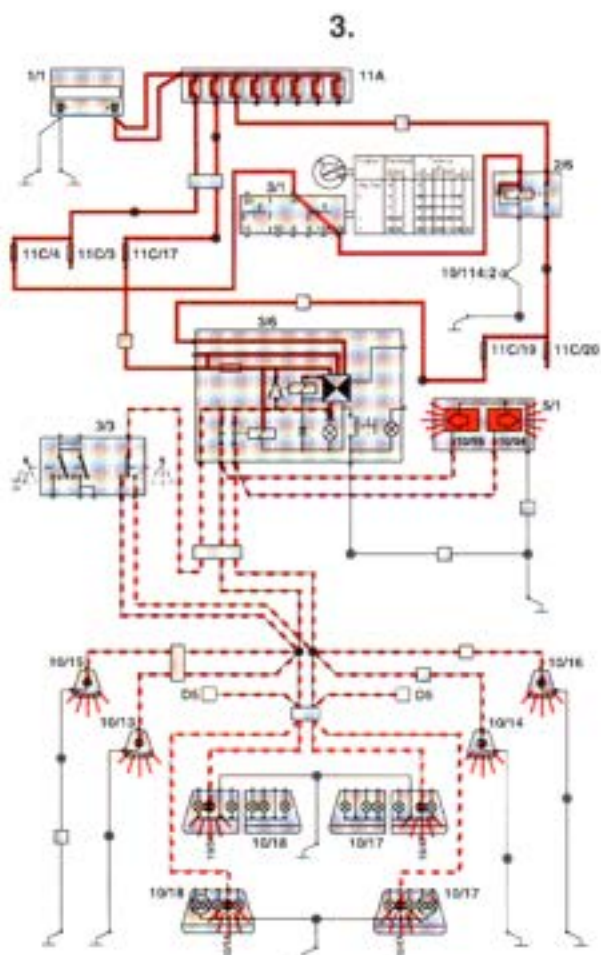
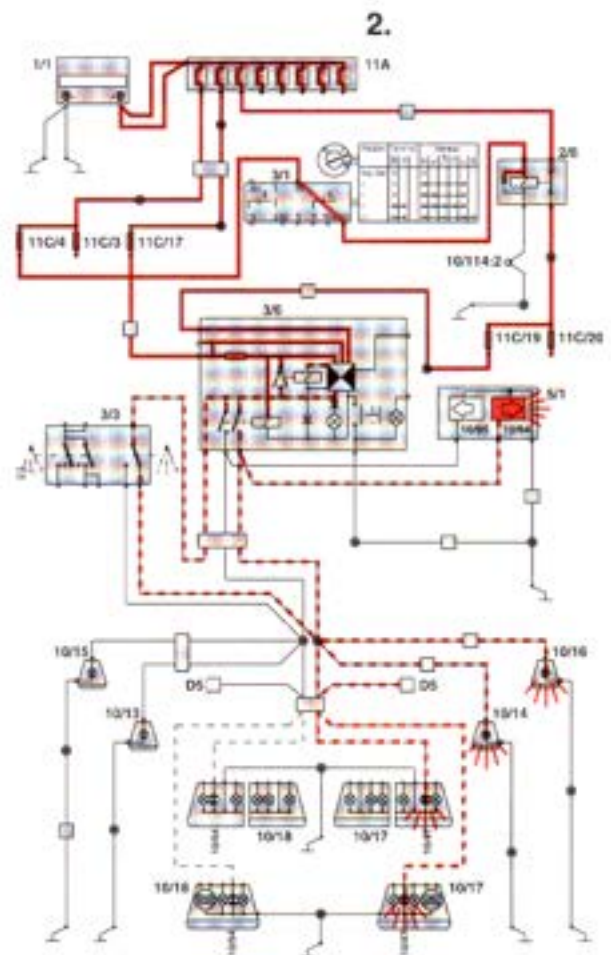
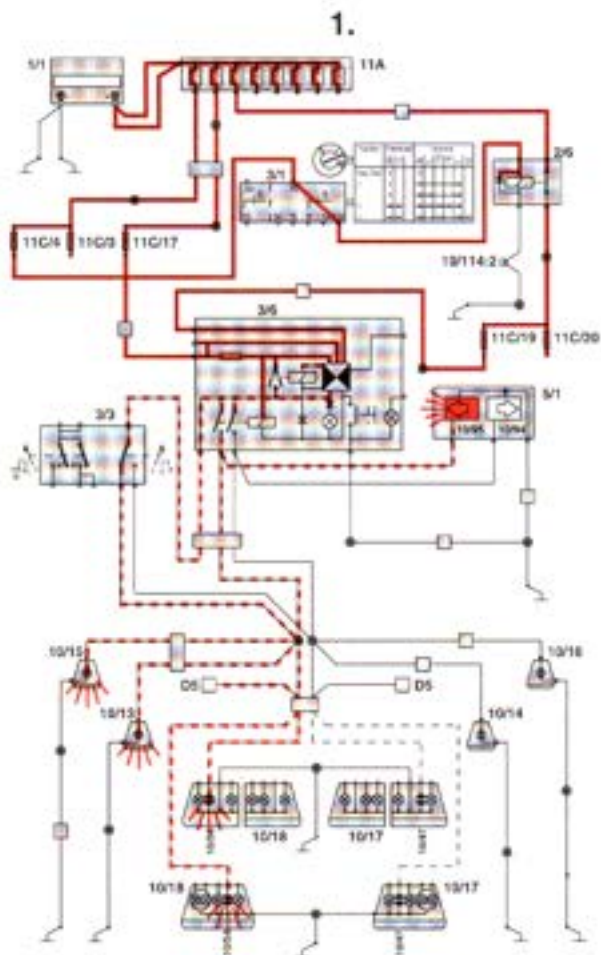


Ignition on  
Rheostat control, 3/70, in minimum position.  
Weak instrument and control panel lighting.



Ignition on.  
Rheostat control, 3/70, in maximum position.  
Strong instrument and control panel lighting.

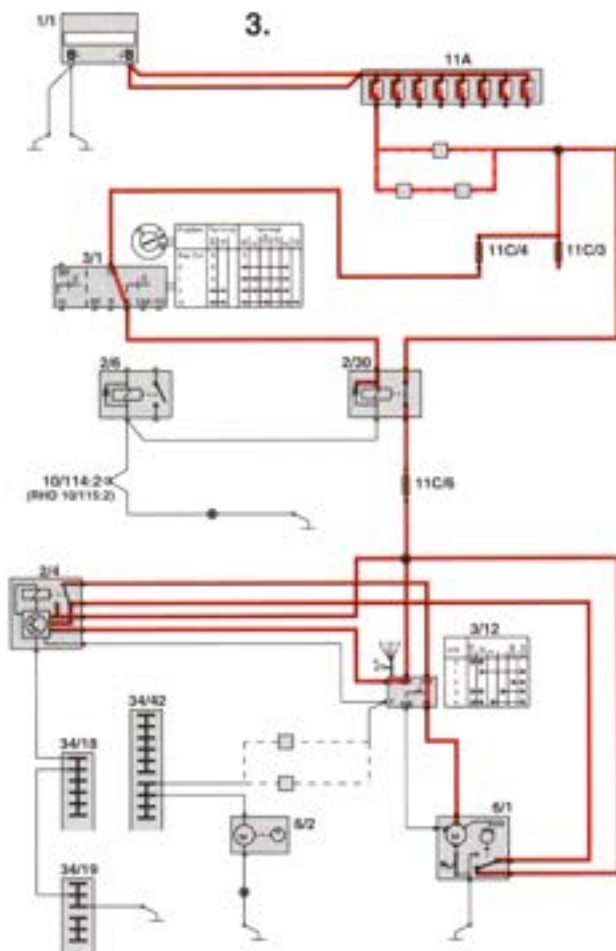
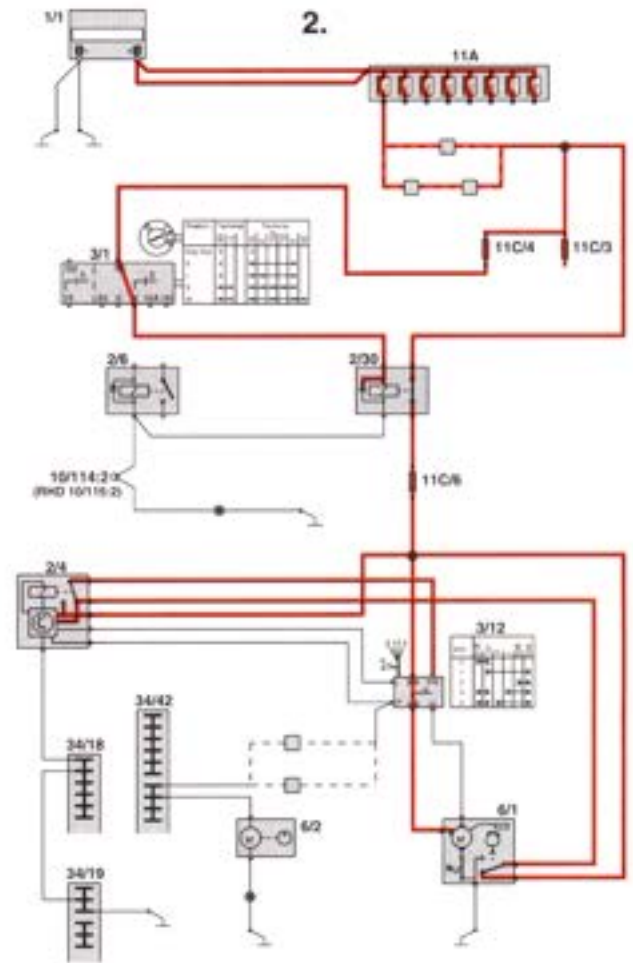
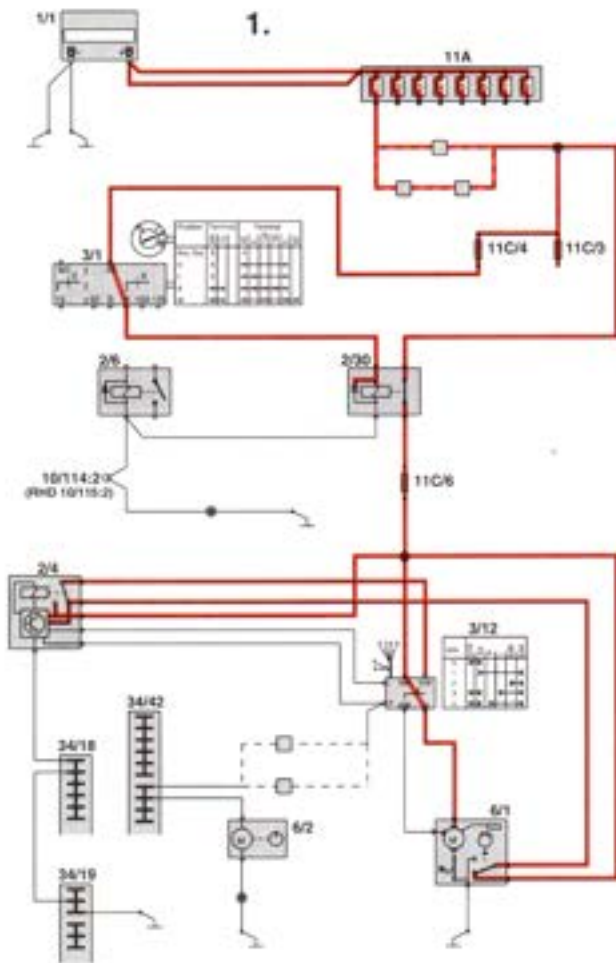
## Turn signal lamp and hazard warning signal flasher Function diagram



Ignition on.

1. Left turn signal connected.
2. Right turn signal connected.
3. Hazard warning signal flasher connected.

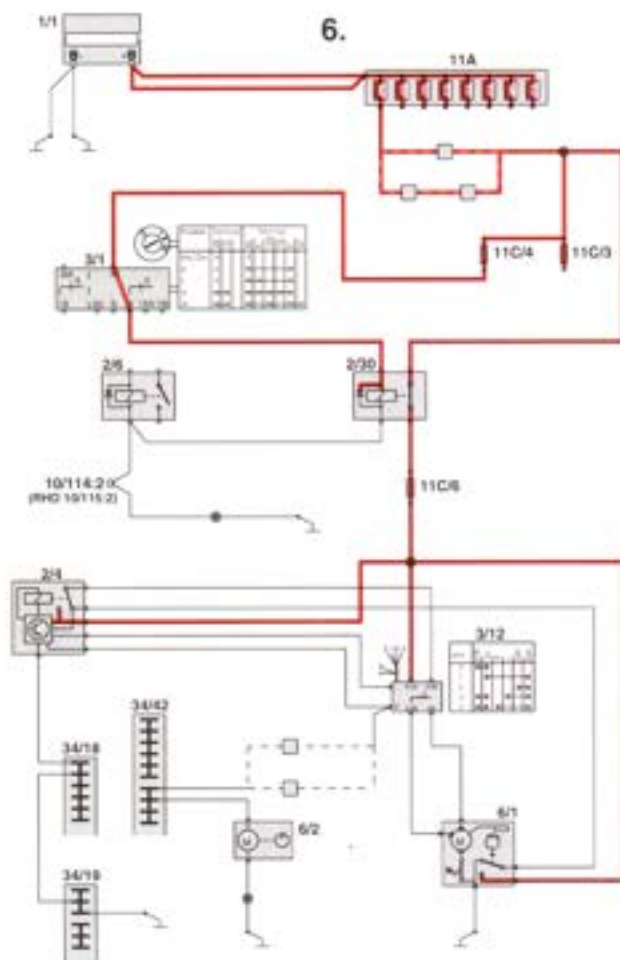
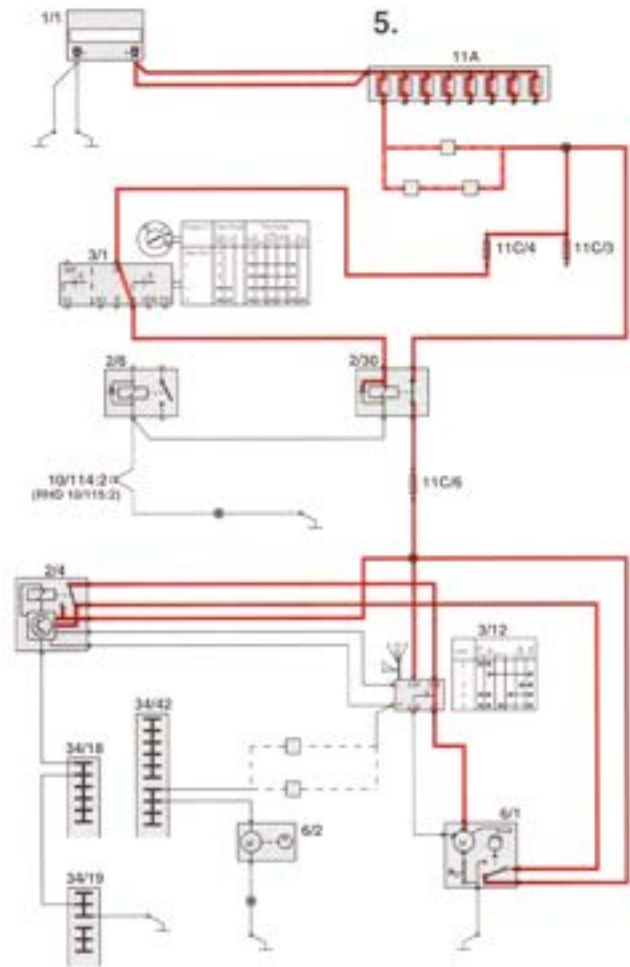
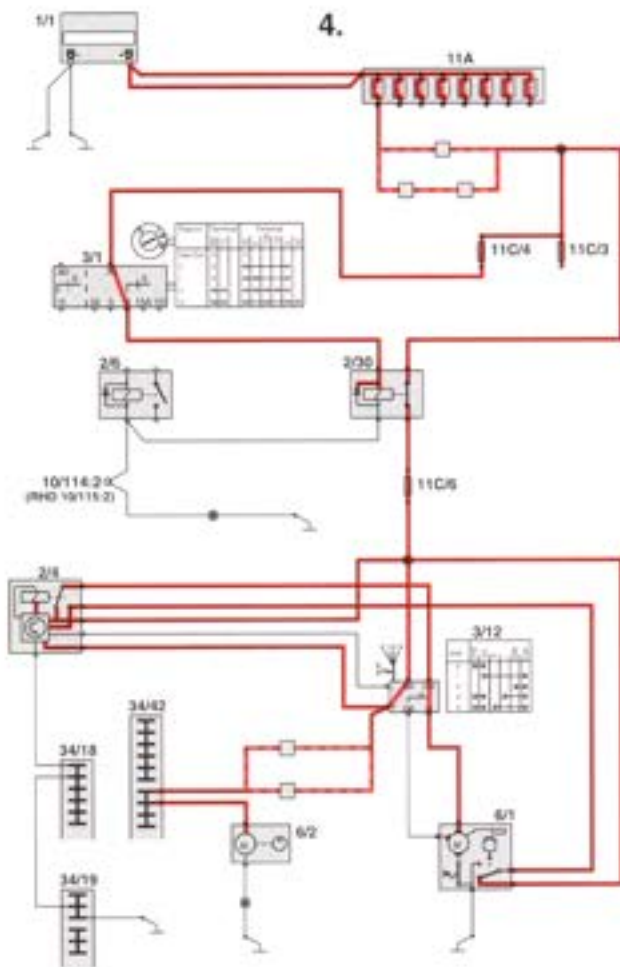
# Windshield wash/wipe Function diagram



Ignition on.

1. Windshield wiper at normal speed.
2. Windshield wiper at high speed.
3. Windshield wiper at intermittent wipe.

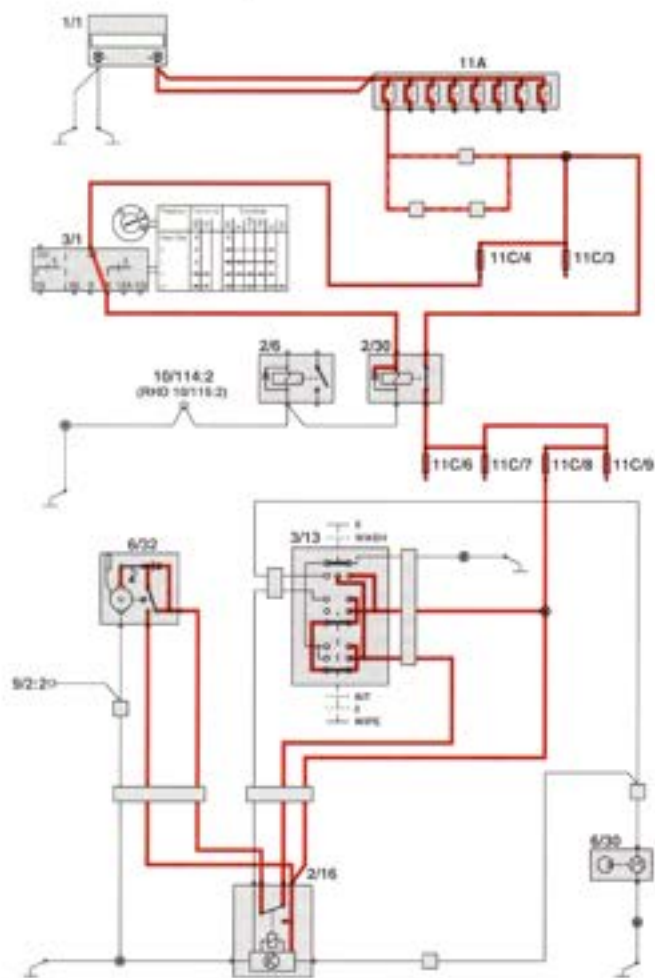
## Windshield wash/wipe Function diagram



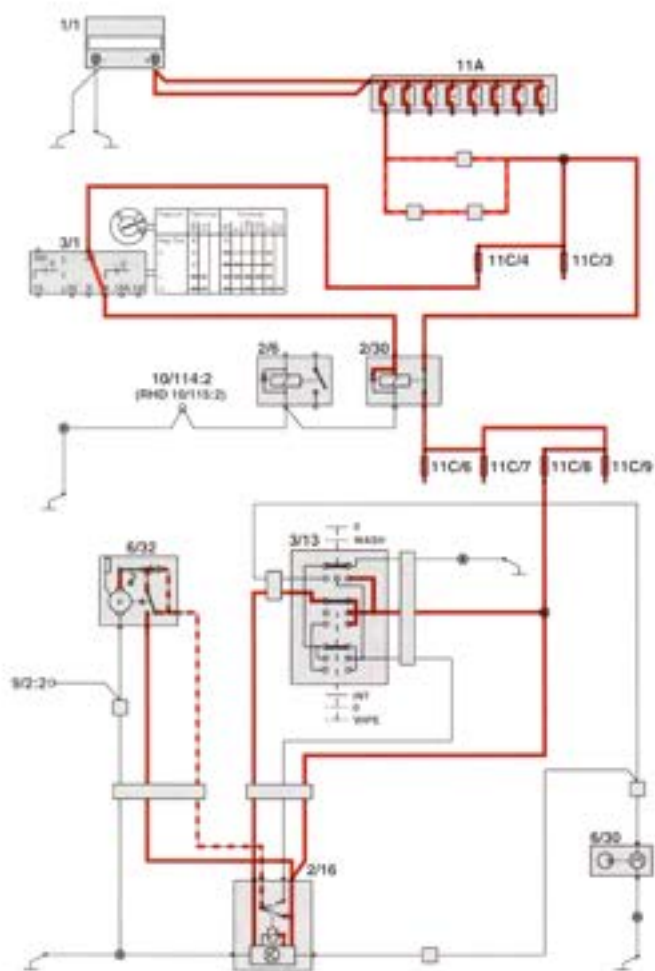
Ignition on.

4. Windshield wiper and washer connected.  
Wiper continues for 2-3 wipes after lever released.
5. Windshield wiper at parking speed.
6. Windshield wiper in parking mode.

# Tailgate wash/wipe Function diagram

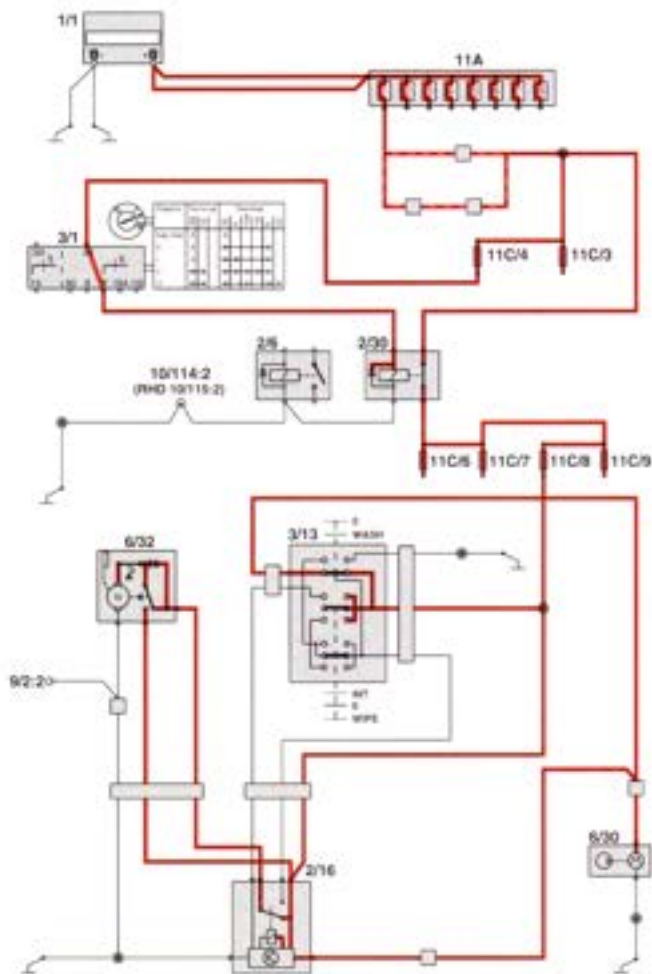


Tailgate wiper connected.

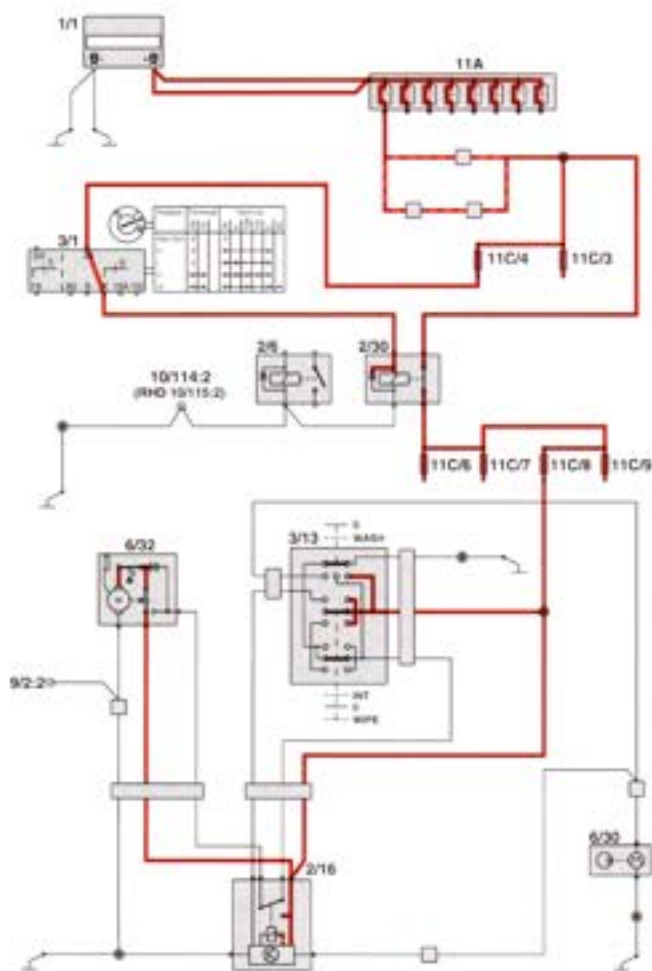


Tailgate wiper at intermittent wipe.

## Tailgate wash/wipe Function diagram

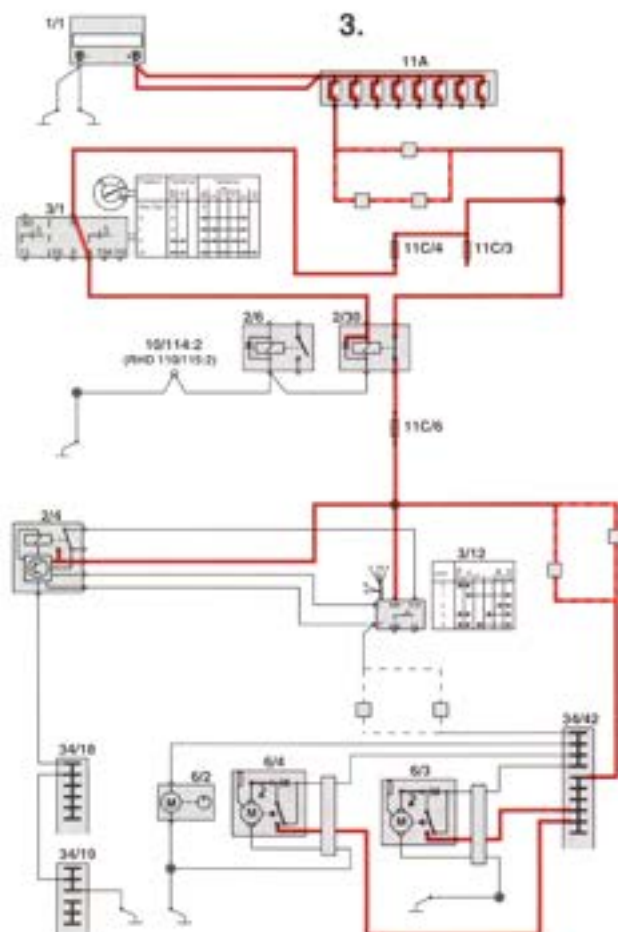
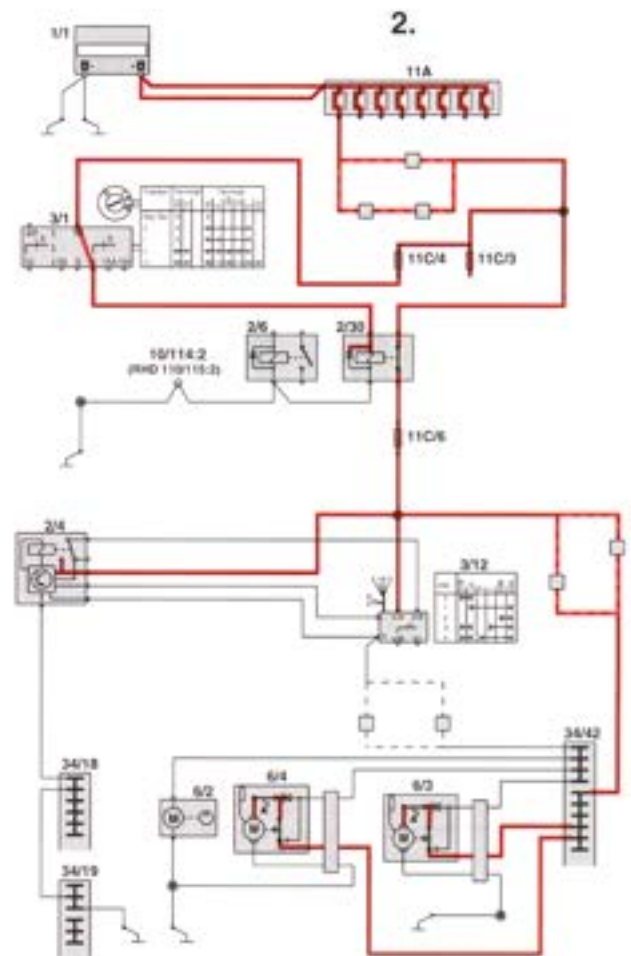
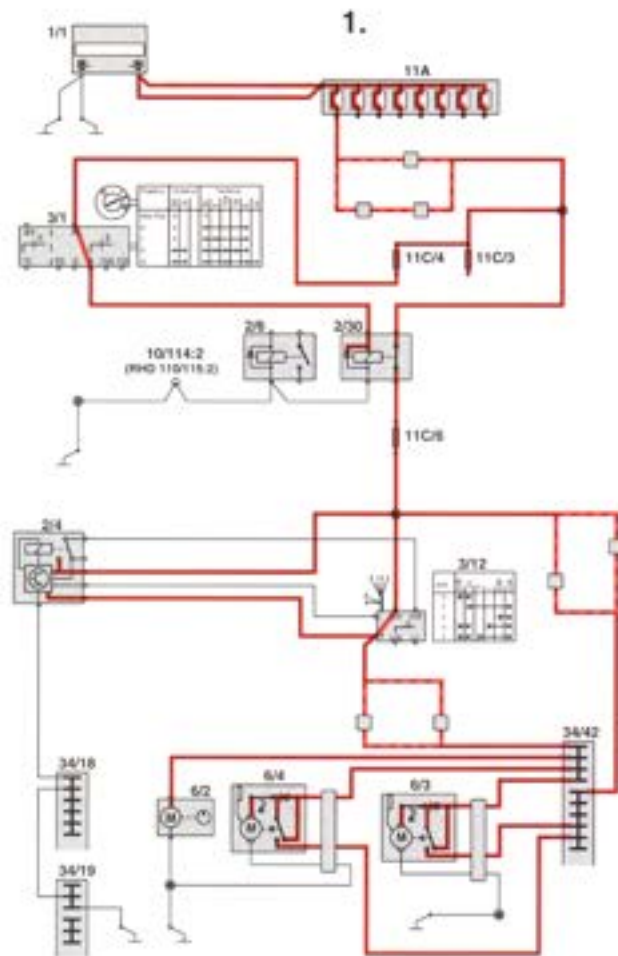


Tailgate wiper and washer connected.  
Wiper continues for 2-3 wipes after  
washer button released.



Tailgate wiper at parking speed.

# Headlight wiper/washer Function diagram

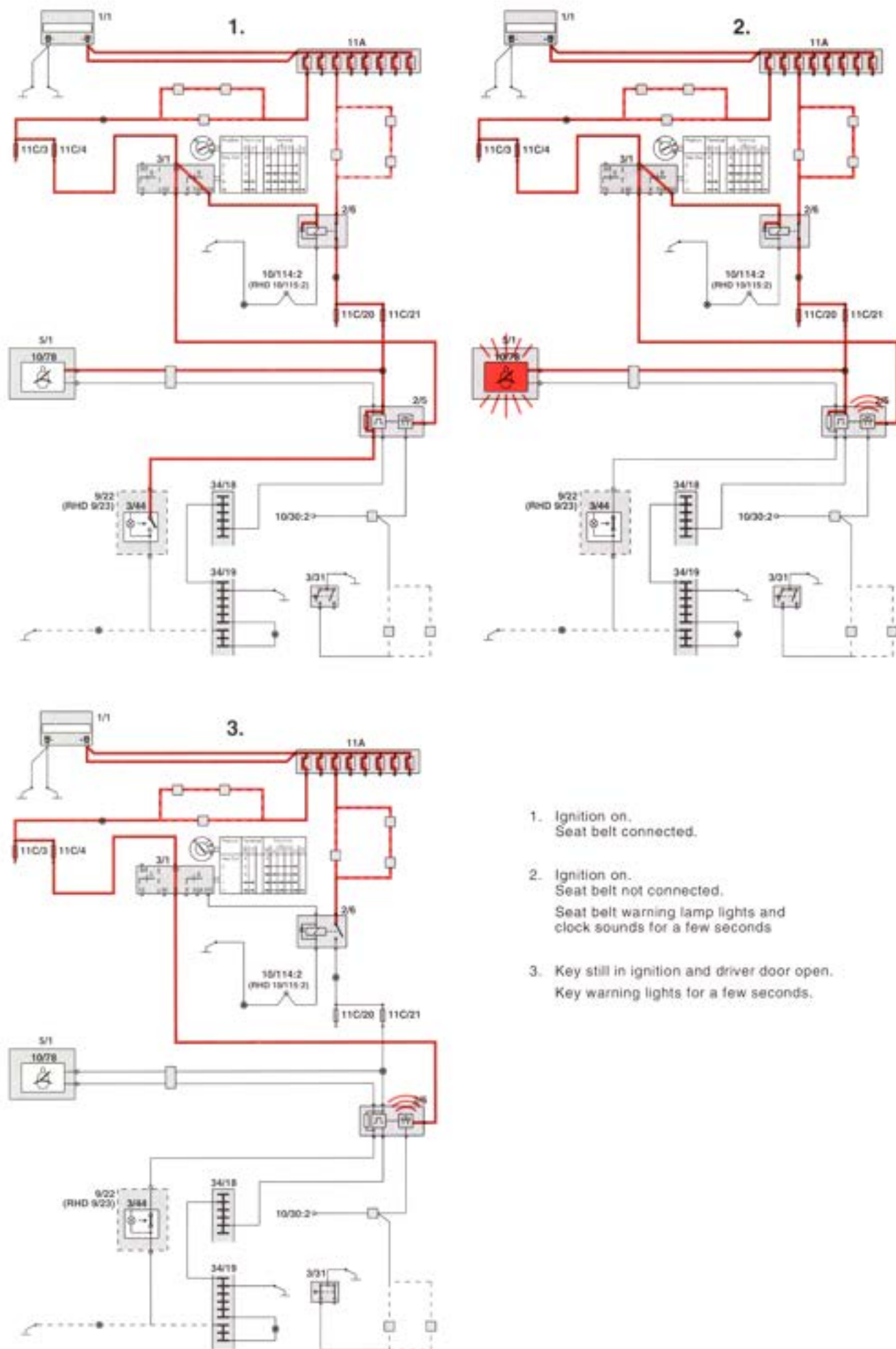


Ignition on.

1. Headlamp wiper and washer connected. Wiper continues for 2-3 wipes after lever released.
2. Headlamp wipers at parking speed.
3. Headlamp wiper in parking mode.

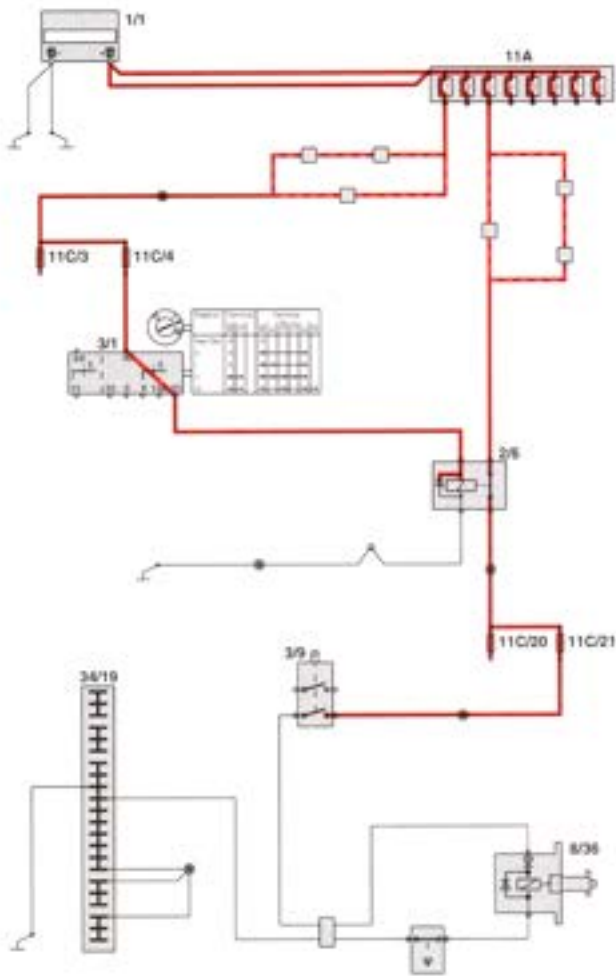


# Seat belt reminder and key warning Function diagram

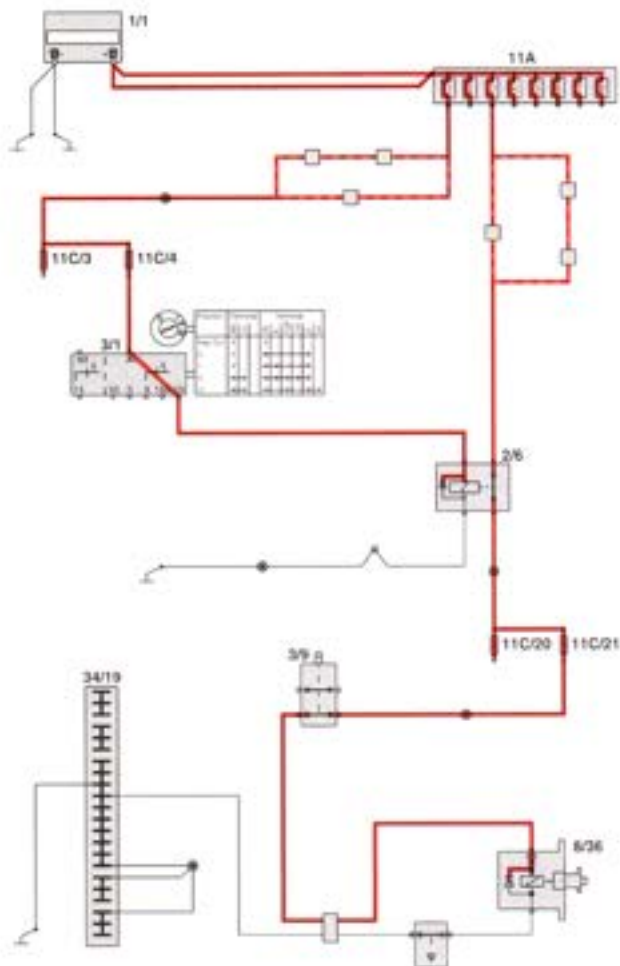


1. Ignition on.  
Seat belt connected.
2. Ignition on.  
Seat belt not connected.  
Seat belt warning lamp lights and  
clock sounds for a few seconds
3. Key still in ignition and driver door open.  
Key warning lights for a few seconds.

## P-shift lock automatic transmission Function diagram

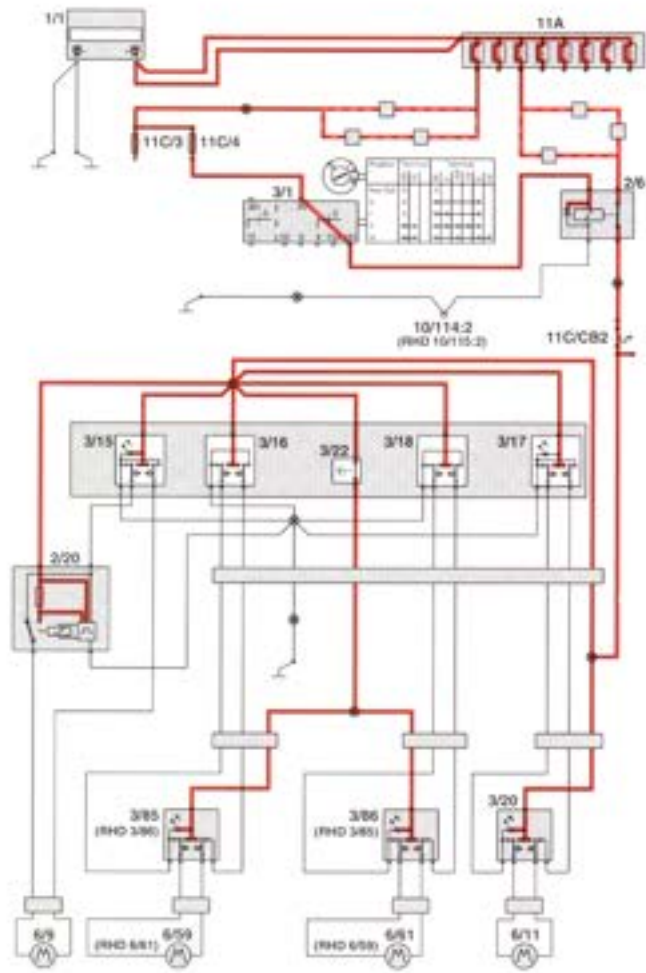


Ignition on.  
Gear selector locked in P-shift position.

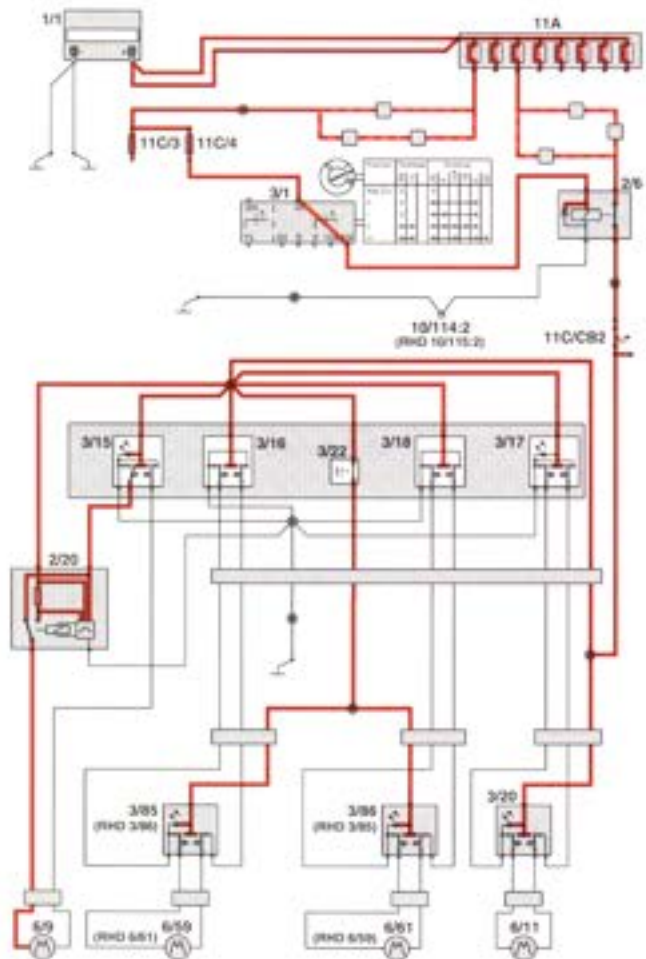


Ignition on.  
Stop (brake) lamp switch is connected  
and  
P-shift lock selector solenoid is activated.  
Gear selector can now be moved from  
its P-shift position.

# Power windows Function diagram



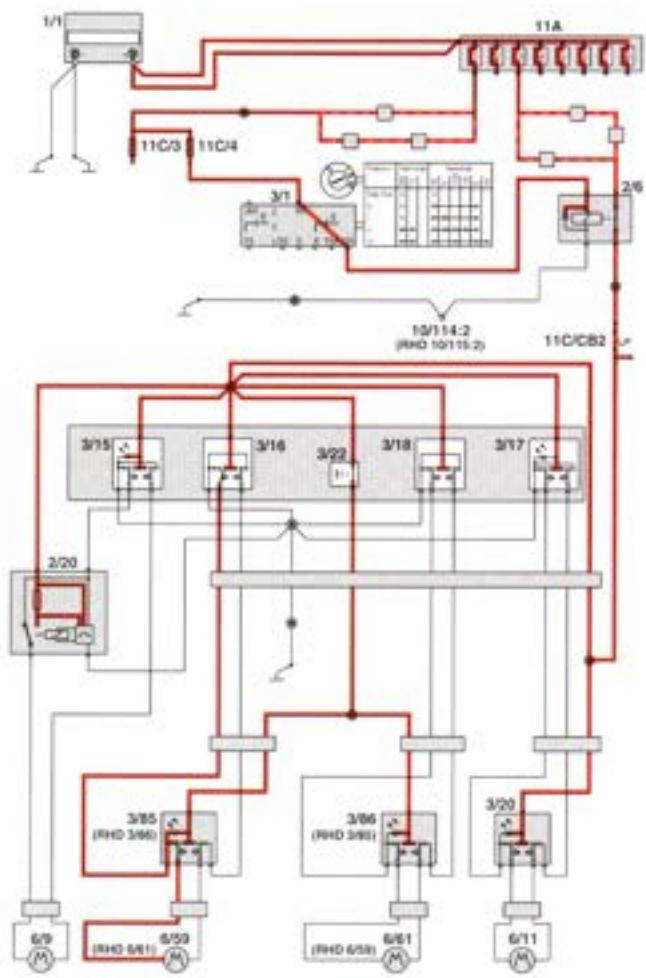
Ignition on.  
Power windows not activated.



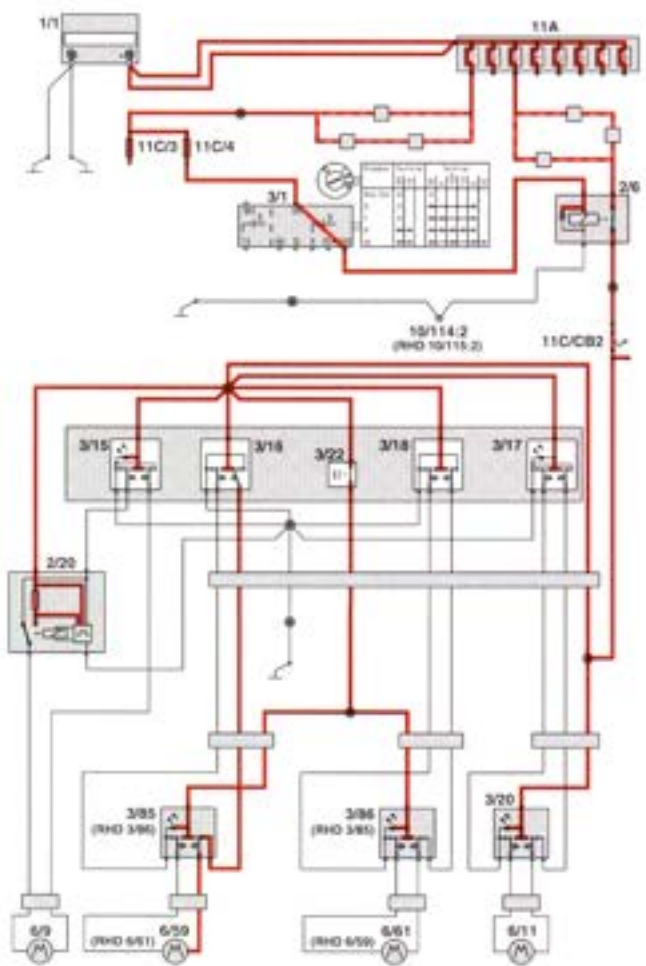
Ignition on.  
The driver door power window switch in  
Down position



# Power windows Function diagram

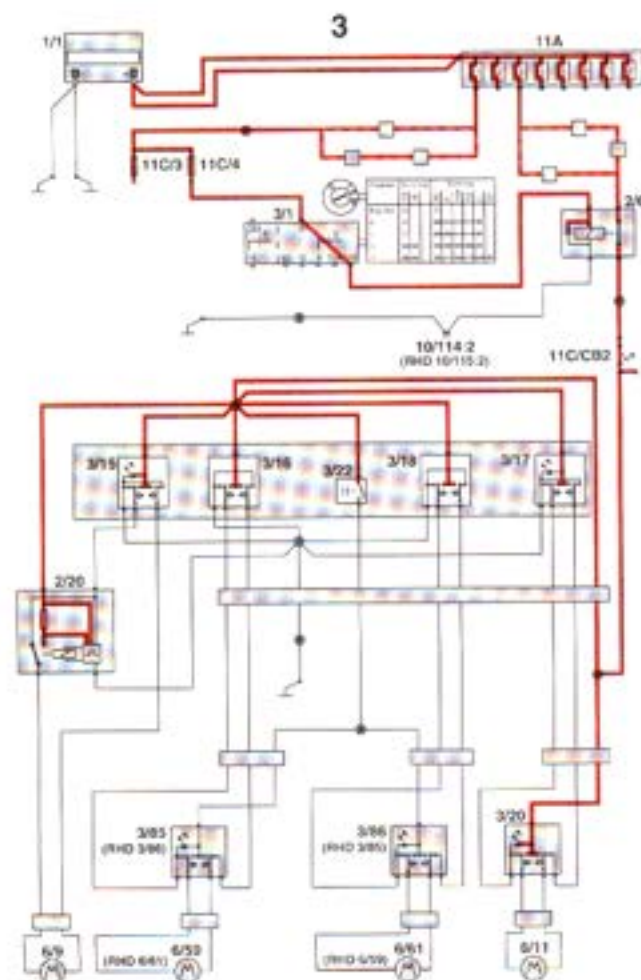
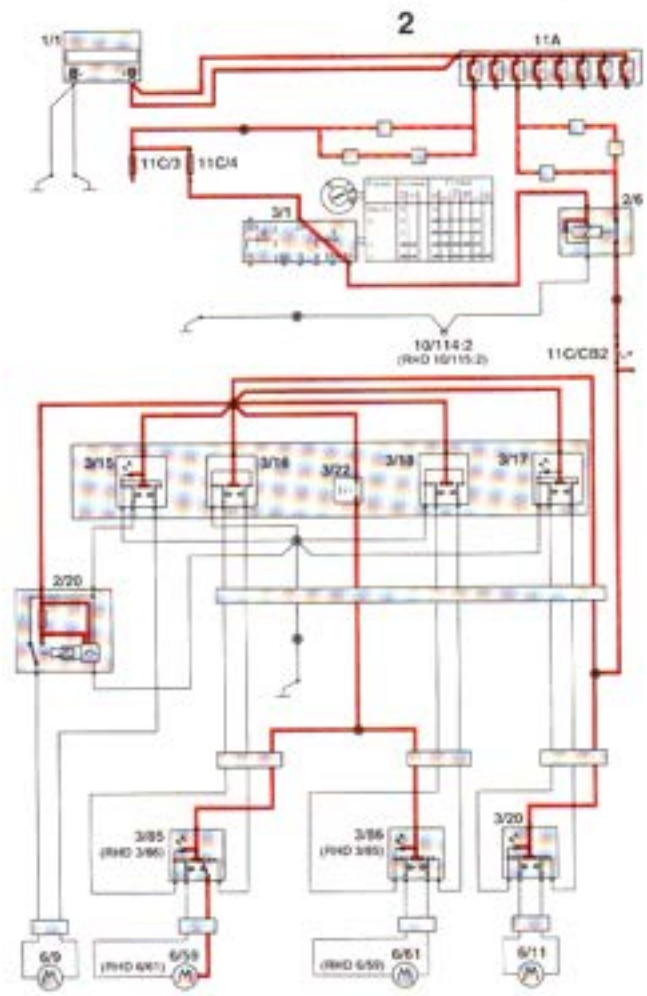
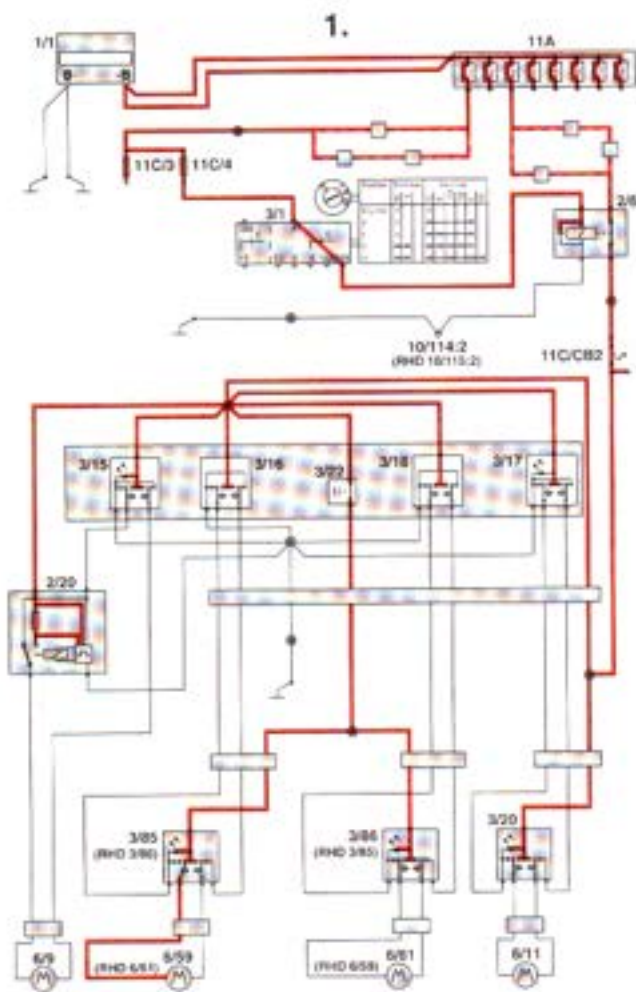


Ignition on.  
Opening rear driver's side window with power window switch on driver's door



Ignition on.  
Closing rear driver's side window with power window switch on driver's door

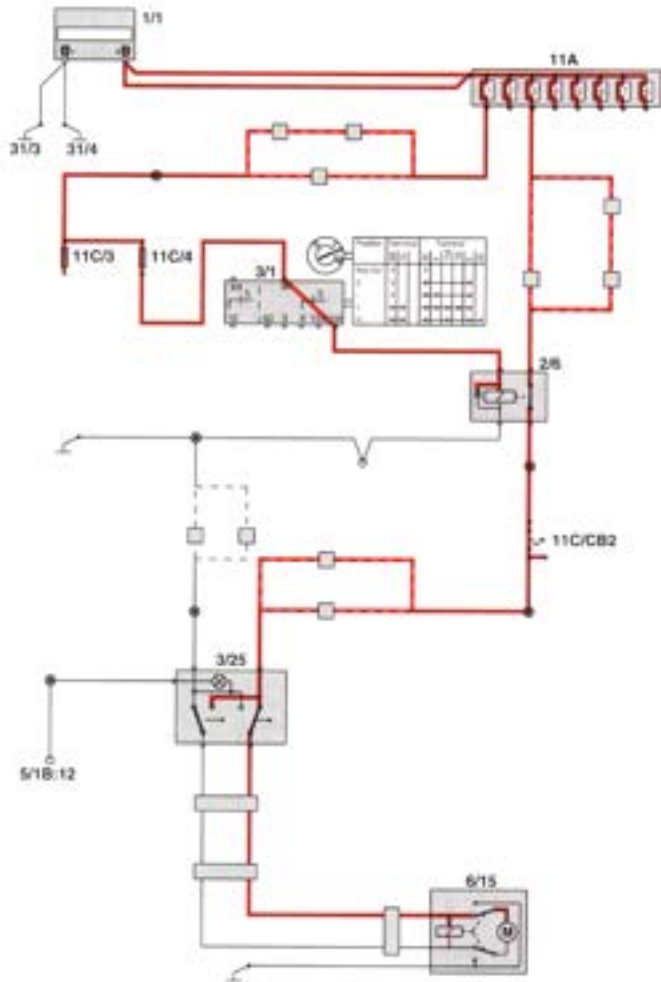
# Power windows Function diagram



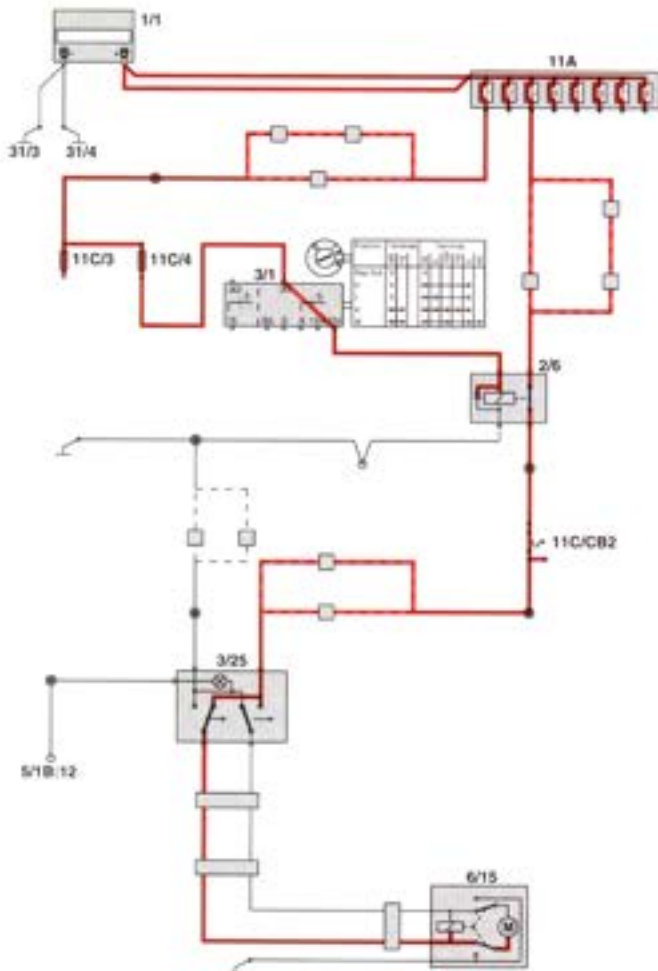
Ignition on.

1. Opening left rear window with power window switch on left rear door (RHD: right rear door).
2. Closing left rear window with power window switch on left rear door (RHD: right rear door).
3. Child locking rear door power windows with contact breaker 3/22 on driver's door.

# Power sunroof Function diagram

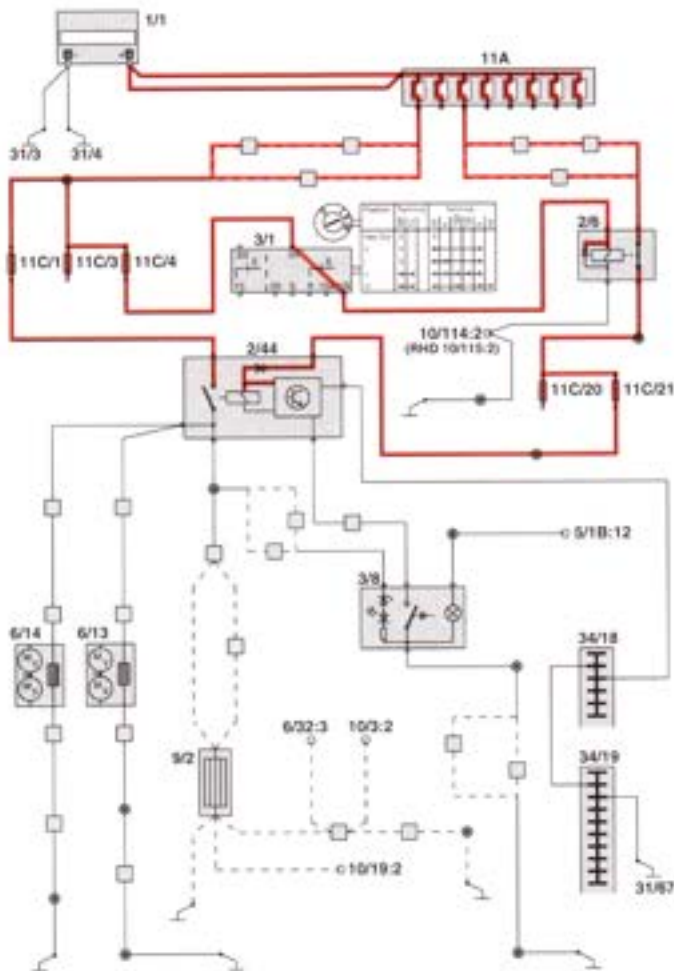


Ignition on.  
Opening the sunroof.



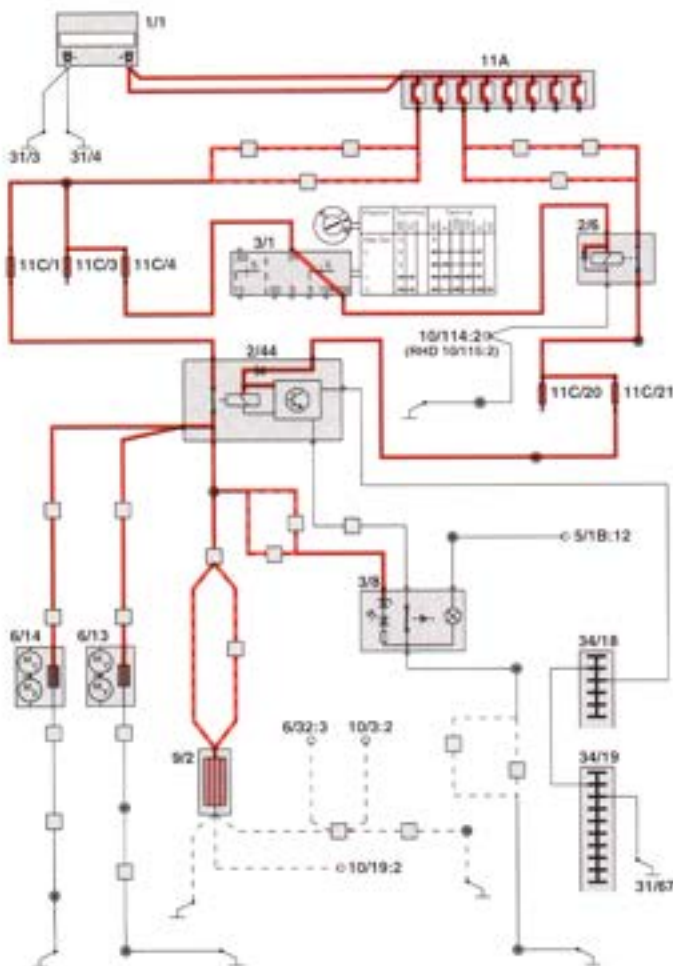
Ignition on.  
Closing the sunroof.

## Heated rear window and door mirrors Function diagram



Ignition on.

Time relay, 2/44, for heating heated rear windshield/powered rear view mirrors not activated.



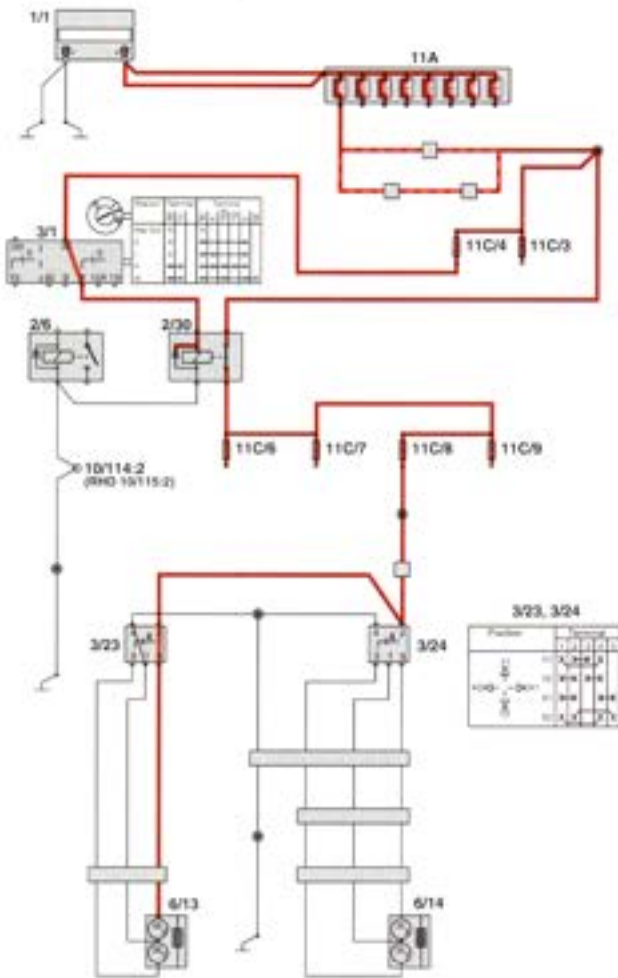
Ignition on.

Time relay, 2/44, for heating heated rear windshield/powered rear view mirrors activated with switch, 3/8.

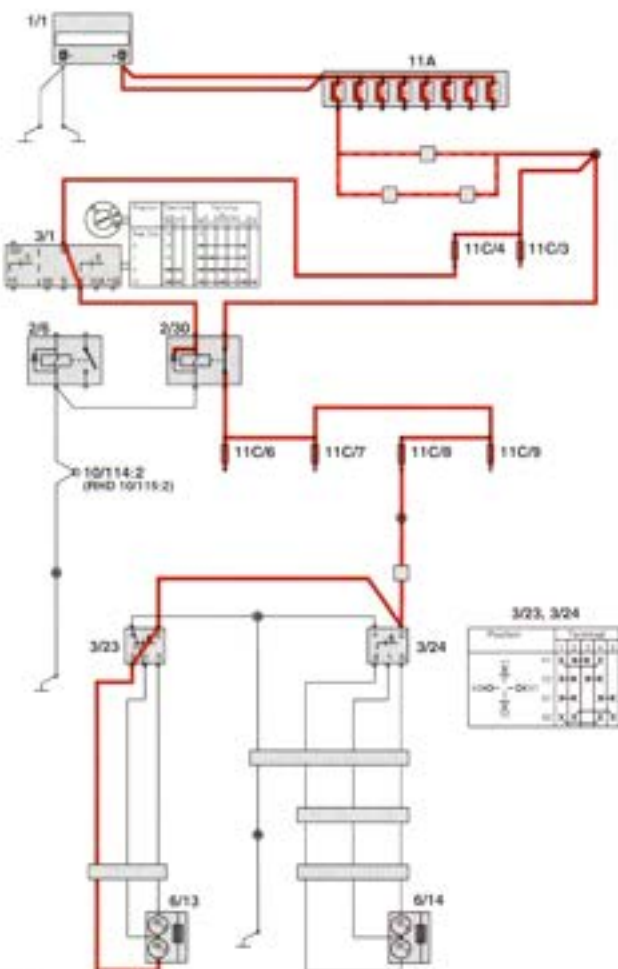
The time relay is active for a few minutes after the switch has been released.

# Power door mirrors

## Function diagram

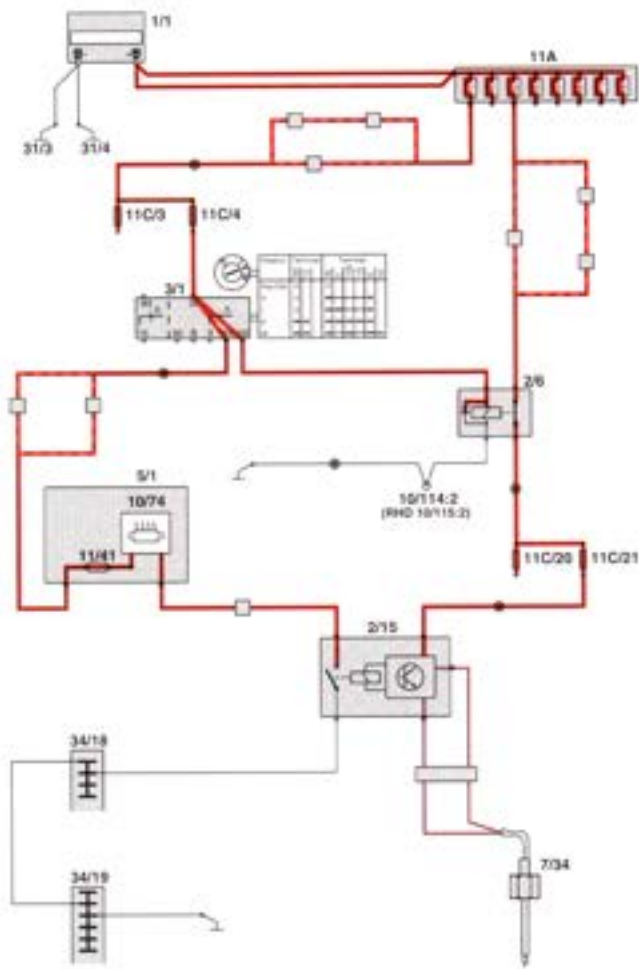


Driver side door mirror adjusted outward.

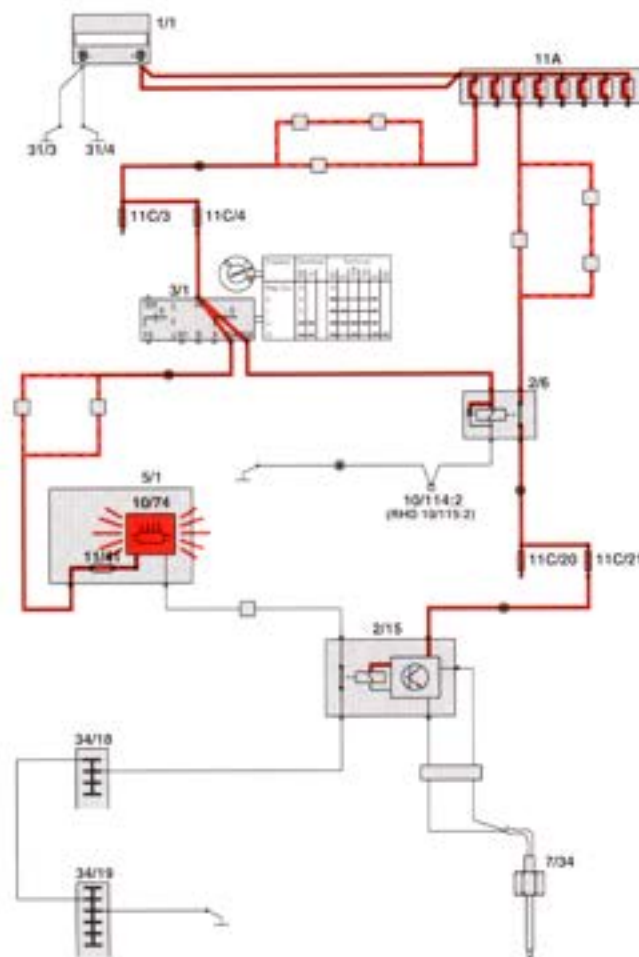


Driver side door mirror adjusted upwards.

## Exhaust temperature switch Function diagram



Ignition on.  
Exhaust temperature under +850°C.



Ignition on.  
Exhaust temperature over +850°C.

# Index

|  |                     |   |                          |
|--|---------------------|---|--------------------------|
| Abbreviations .....                                    | 3                   | Immobilizer .....                       | 148                      |
| ABS Brake system .....                                 | 188                 | Instrument lighting .....               | 124, 126                 |
| Accessory cabling .....                                | 156                 | Junction points .....                   | 21 - 46                  |
| Alarm .....  | 144, 146            | Key warning .....                       | 160                      |
| AW 30-40/43 .....                                      | 182, 184            | License (number) plate lighting .....   | 110, 112                 |
| Bulb failure sensor .....                              | 170, 172            | Lighting for controls .....             | 124, 126, 238            |
| Cable harnesses .....                                  | 14 - 21             | List of components .....                | see end of manual        |
| Central locking .....                                  | 192, 194, 196, 198  | Low beam .....                          | 100, 102, 230 - 231      |
| Cigarette lighter .....                                | 142                 | MCC .....                               | 218                      |
| Climate control .....                                  | 216, 218, 220, 222  | Motronic 4.4 .....                      | 82, 86                   |
| Combined instrument panel .....                        | 162, 164, 166       | On board diagnostic system (OBD) .....  | 150                      |
| Comments .....   | at end of book      | Outside temperature sensor .....        | 168                      |
| Connectors .....                                       | 46 - 75             | Parking light .....                     | 110, 112                 |
| Courtesy lighting .....                                | 120, 122            | Power door mirrors .....                | 206, 254                 |
| Cruise control .....                                   | 92                  | Power seats .....                       | 212, 214                 |
| ECC .....  | 220, 222            | Power sunroof .....                     | 202                      |
| Electrical distribution .....                          | 6                   | Power supply .....                      | 94, 228                  |
| Electrically heated seats .....                        | 208, 210            | P-shift lock .....                      | 186                      |
| Electronic park/neutral position (PNP) switch .....    | 148                 | Radio .....                             | 174, 176, 178, 180       |
| Electronically controlled automatic transmission ..... | 182, 184            | Relays .....                            | 10 - 11                  |
| Engine cooling fan (FC) .....                          | 90                  | Remote central locking .....            | 200                      |
| Exhaust temperature switch .....                       | 224, 255            | Reverse (back-up) light .....           | 118, 235                 |
| Fog lamps .....  | 106, 108            | Seat belt reminder .....                | 158, 160, 245 - 246      |
| Fuel injection system .....                            | 82, 86              | SRS Supplemental Restraint System ..... | 226                      |
| Function diagrams .....                                | 228 - 255           | Standard heater .....                   | 216                      |
| Fuses .....  | 12 - 13             | Starter system .....                    | 96, 98, 229              |
| Ground points .....                                    | 78 - 82             | Stop (brake) lamps .....                | 114, 116, 236 - 237      |
| Hazard warning flasher .....                           | 128, 130, 132, 239  | Tail lights .....                       | 110, 112                 |
| Headlamp range adjustment .....                        | 104, 234            | Tailgate wash/wipe .....                | 140, 242 - 243           |
| Headlight wiper/washer .....                           | 138, 244            | Terminal blocks .....                   | 75 - 78                  |
| Heated door mirrors .....                              | 204, 253            | Tow hitch wiring .....                  | 152, 154                 |
| Heated rear window .....                               | 204, 253            | Turn signal indicator .....             | 128, 130, 132, 239       |
| High beam .....  | 100, 102, 230 - 231 | Washer .....                            | 136, 138, 140, 240 - 244 |
| Horn .....   | 134                 | Windshield washer/wiper .....           | 136, 240 - 241           |
| Ignition switch .....                                  | 10                  |   |                          |
| Ignition system .....                                  | 82, 86              |   |                          |

## Component list

|      |   |       |   |
|------|---|-------|---|
| 1/1  | Battery   | 3/31  | Door switch driver's door   |
| 2/1  | Main headlamp relay with bulb failure warning sensor            | 3/32  | Door switch passenger side front  |
| 2/2  | Front fog lamps relay   | 3/33  | Door switch left rear   |
| 2/3  | DIM-DIP lights relay  | 3/34  | Door switch right rear  |
| 2/4  | Relay, windshield intermittent wiper                            | 3/35  | Tailgate switch   |
| 2/5  | Relay, seat belt reminder/key warning                           | 3/36  | Switch for glove box lighting   |
| 2/6  | Overload relay +15I   | 3/37  | Horn switches   |
| 2/7  | Relay, central locking/delayed interior lighting                | 3/38  | Brake switch  |
| 2/10 | Blower fan resistor MCC   | 3/39  | Clutch pedal switch   |
| 2/11 | Relay engine coolant fan (FC)                                   | 3/40  | Park/Neutral position (PNP) switch  |
| 2/15 | Relay exhaust temperature switch                                | 3/42  | Kickdown switch   |
| 2/16 | Intermittent tailgate wiper relay                               | 3/44  | Seat belt lock on driver's seat   |
| 2/17 | Horn relay  | 3/47  | Handbrake switch  |
| 2/20 | Relay auto-down power window                                    | 3/52  | Switch power antenna  |
| 2/22 | A/C relay   | 3/58  | Switch rear foglamp   |
| 2/23 | Fuel pump relay   | 3/59  | Beam height control   |
| 28   | Car alarm relay   | 3/62  | Alarm switch in bonnet  |
| 30   | Overload relay, +X  | 3/63  | Driving mode selector AW 30-40/43   |
| 32   | Fuel system main relay  | 3/70  | Reostat control   |
| 35   | Starter motor relay   | 3/71  | Gear position sensor  |
| 44   | Relay rear window/door mirror heating                           | 3/78  | Lock unit tailgate  |
| 46   | Relay ignition coils  | 3/85  | Power window switch left rear door  |
| 53   | Relay, pulsed secondary air injection system (PAIR) pump        | 3/86  | Power window switch right rear door   |
| 51   | Relay marker/parking lights                                     | 3/98  | Central locking switch  |
| 105  | Driver door relay, 2-stage central locking                      | 3/99  | Switch front fog lamps  |
|      |   | 3/100 | Lock unit driver's door   |
|      |   | 3/110 | Front passenger door lock unit  |
| 1    | Ignition switch   | 4/1   | Overheating protection seat left side   |
| 2    | Light switch  | 4/2   | Overheating protection seat right side  |
| 3    | Turn indicator/ DIM-DIP switch                                  | 4/3   | Control module, cruise control  |
| 4    | Control cruise control  | 4/4   | Rheostat  |
| 5    | Switch, hazard flasher with flasher relay                       | 4/5   | Safety circuit SRS  |
| 6    | Switch with timer relay   | 4/6   | ECC climate control module  |
| 7    | heated rear window/door mirrors                                 | 4/9   | SRS Supplemental Restraint System Crash Sensor                                |
| 8    | Stop (brake) lamp switch  | 4/16  | ABS control module  |
| 10   | Back-up (reversing) lamps switch                                | 4/19  | Remote control central locking relay/ immobilizer indicator LED (Immobilizer) |
| 12   | Windshield wash/wipe switch                                     | 4/22  | Control module Electronic park/neutral position PNP switch (Immobilizer)      |
| 13   | Tailgate wipe/ -washer switch                                   | 4/28  | Control module AW 30-40/43  |
| 15   | Power window switch driver's door for driver's door             | 4/31  | Control module blower fan motor   |
| 16   | Power window switch driver's door for driver's side rear door   | 4/38  | Ignition discharge module (IDM) 1 Motronic                                    |
| 17   | Power window switch driver's door for front passenger side door | 4/39  | Ignition discharge module (IDM) 2 Motronic                                    |
| 18   | Power window switch driver's door for rear passenger side door  | 4/40  | MCC manual climate control - control module                                   |
| 19   | Power window switch front passenger side door                   | 4/46  | Engine control module (ECM)   |
| 20   | Power window switch front passenger side door                   | 4/52  | Control module power driver's seat with memory                                |
| 22   | Contact breaker for rear power windows                          |       |   |
| 23   | Driver's side power mirror switch                               | 5/1   | Combined instrument panel   |
| 24   | Passenger side power mirror switch                              | 5/3   | Outside temperature gauge   |
| 25   | Switch power sunroof  |       |   |
| 26   | Driver's seat control unit                                      |       |   |
| 3/27 | Passenger seat control unit                                     |       |   |
| 3/28 | Heated seat switch left side                                    |       |   |
| 3/29 | Heated seat switch right side                                   |       |   |

|        |  |          |   |
|--------|--|----------|---|
| 10/16  | Right side turn signal lamp                  | 11/41    | Fuse combined instrument panel                      |
| 10/17  | Right tail lamp unit                         | 11A/1-8  | Main fuses at the battery                           |
| 10/18  | Left tail lamp unit                          | 11B/1-18 | Fuses in relay/fusebox in engine compartment        |
| 10/19  | High-level stop (brake) lamp                 | 11C/1-24 | Fuses in fusebox in passenger compartment           |
| 10/22  | Dome light                                   | 11C/CB1  | Automatic fuse in fusebox in the car                |
| 10/24  | Cargo area lighting                          | 11C/CB2  | Automatic fuse in fusebox in the car                |
| 10/25  | Cargo compartment roof lamp                  |          |   |
| 10/26  | Reading lamp left rear                       | 16/1     | Radio   |
| 10/27  | Reading lamp right rear                      | 16/3     | Loudspeaker right front door                        |
| 10/29  | Glove box lighting                           | 16/4     | Loudspeaker left front door                         |
| 10/30  | Driver's door door-open warning lamp         | 16/5     | Loudspeaker right rear door                         |
| 10/31  | Door-open warning lamp passenger side        | 16/6     | Loudspeaker left rear door                          |
| 10/32  | Door warning lamp left rear side             | 16/7     | Loudspeaker dashboard right side                    |
| 10/33  | Door warning lamp right rear                 | 16/8     | Loudspeaker dashboard left side                     |
| 10/37  | Cigarette lighter lighting                   | 16/9     | Antenna   |
| 10/38  | Ashtray lighting rear                        | 16/10    | Horn 1  |
| 10/39  | Seat heating switch lighting                 | 16/11    | Horn 2  |
| 10/40  | Gear shift position indicator lighting       | 16/15    | CD-changer  |
| 10/43  | Right stop (brake) lamp                      | 16/16    | Antenna amplifier (window antenna)                  |
| 0/44   | Right parking-/tail lamps                    | 16/17    | Loudspeaker parcel shelf left side                  |
| 0/45   | Right parking-/tail lamps                    | 16/18    | Loudspeaker parcel shelf right side                 |
| 0/46   | Right rear fog light                         | 16/19    | Anti theft alarm horn                               |
| 0/47   | Rear right turn signal lamp                  | 16/21    | Loudspeaker right B-post                            |
| 0/48   | Right back-up (reversing) lamp               | 16/22    | Loudspeaker left B-post                             |
| 0/50   | Left stop (brake) lamp                       | 16/35    | Alarm siren   |
| 0/51   | Left rear parking/ tail lamps                | 16/57    | Loudspeaker left D-pillar                           |
| 0/52   | Left rear parking/ tail lamps                | 16/58    | Loudspeaker right D-pillar                          |
| 0/53   | Left rear fog light                          |          |   |
| 0/54   | Rear left turn signal lamp                   | 17/1     | Service socket for turning over starter motor       |
| 0/55   | Left back-up (reversing) lamp                | 17/8     | Service socket; kl 1, cyl. 1 (engine)               |
| 0/64   | Right high beam lamp                         | 17/13    | Data link connector DLC                             |
| 0/66   | Right low beam lamp                          |          |   |
| 0/68   | Left high beam lamp                          | 18/4     | Contact reel SRS                                    |
| 0/70   | Left low beam lamp                           |          |   |
| 0/72   | Ashtray lighting front                       | 19/1     | Engine coolant temperature gauge                    |
| 0/74   | Indicator lamp exhaust temperature           | 19/2     | Tachometer  |
| 0/77   | Warning lamp, SRS                            | 19/3     | Speedometer   |
| 0/78   | Seat belt indicator lamp                     | 19/4     | Clock   |
| 0/79   | Shift indicator                              | 19/5     | Fuel gauge  |
| 0/82   | Indicator lamp ABS                           |          |   |
| 0/83   | Indicator lamp handbrake                     | 20/3-8   | Spark plug with ignition coils                      |
| 0/84   | Brake warning indicator lamp                 | 20/19    | LED relay ignition coils                            |
| 0/85   | Indicator lamp high beam                     |          |   |
| 0/86   | Indicator lamp, oil pressure                 | 31/1     | Ground terminal right front wing                    |
| 0/87   | Indicator lamp, charging                     | 31/2     | Ground terminal left front wing                     |
| 0/88   | Bulb failure warning sensor indicator light  | 31/3     | Ground point body                                   |
| 0/89   | Indicator lamp, rear fog lights              | 31/4     | Ground point engine                                 |
| 0/90   | Indicator lamp, washer fluid level           | 31/5     | Ground terminal, heated rear window                 |
| 0/91   | Service Reminder Lamp (SRL)                  | 31/13    | Ground terminal in cargo area                       |
| 0/92   | Indicator lamp, trailer                      | 31/16    | Ground terminal by windshield wiper motor           |
| 0/93   | Indicator lamp, Check engine                 | 31/17    | Ground terminal by sunroof motor                    |
| 0/94   | Indicator lamp, right turn signal lamp       | 31/18    | Ground terminal on tunnel (radio)                   |
| 0/95   | Indicator lamp left turn signal lamp         | 31/32    | Ground point on engine (power ground)               |
| 0/96   | Instrument lighting                          | 31/53    | Ground point left side member in engine compartment |
| 10/110 | Indicator lamp, coolant level                | 31/64    | Ground point engine coolant fan (FC)                |
| 10/113 | Anti-theft alarm LED                         | 31/66    | Ground point left seat support                      |
| 10/114 | Vanity mirror lighting, left side            | 31/67    | Ground point right seat support                     |
| 10/115 | Vanity mirror lighting, right side           |          |   |
| 10/125 | Courtesy/well lighting, left side            |          |   |
| 10/126 | Courtesy/well lighting, right side           |          |   |
| 10/146 | Gear selector position indicator AW 30-40/43 |          |   |

|          |  |     |  |
|----------|--|-----|--|
| 33/1-705 | Junction points  | A31 | Connector 6-pin Passenger compartment harness - interior lighting harness            |
| 34/18    | Terminal block 22-pin;<br>in relay box passenger compartment   | A32 | Connector 24-pin<br>Passenger compartment harness - driver's door harness            |
| 34/19    | Terminal block 22-pin;<br>by parking brake bracket   | A33 | Connector 24-pin<br>Passenger compartment harness - front passenger door harness     |
| 34/42    | Terminal block 22-pin;<br>In relay/fusebox engine compartment  | A34 | Connector 4-pin<br>Passenger compartment harness - P-shift lock solenoid             |
| A1       | Multi-connector under dashboard<br>at left A-post  | A35 | Connector 4-pin at automatic transmission  |
| A2       | Multi connector under dashboard<br>at left A pillar  | A36 | Connector 11-pin<br>Passenger compartment harness - left rear door harness           |
| A3       | Multi-connector in relay/fusebox in engine compartment   | A37 | Connector 11-pin<br>passenger compartment harness - right rear door harness          |
| A4       | 2-pin connector engine compartment harness -<br>passenger compartment cable harness  | A39 | Connector 1-pin<br>ABS harness - engine compartment harness                          |
| A6       | Multi-connector (under dashboard<br>to right of steering column)   | A41 | 2-pin connector<br>Anti-lock braking system ABS harness - engine compartment harness |
| A*       | 15-pin connector engine compartment harness -<br>dashboard cable harness   | A43 | Connector 2-pin<br>Dashboard harness - CD-changer harness                            |
| A9       | 13-pin connector engine compartment harness -<br>dashboard cable harness   | A69 | Connector 4-pin<br>cargo compartment harness - tailgate harness                      |
| A10      | 5-pin connector,<br>passenger compartment harness - climate control harness  | A71 | Connector 2-pin<br>Passenger compartment harness - rear axle sensor harness          |
| A11      | Connector 6-pin<br>passenger compartment harness - climate unit harness  | B1  | Connector 4-pin<br>passenger compartment harness - fuel tank unit                    |
| A13      | Connector 3-pin bridge to foglamps   | B2  | Connector 4-pin<br>passenger compartment harness - power antenna/antenna amplifier   |
| A14      | Connector 15-pin<br>ABS harness - passenger compartment harness  | B3  | Connector 4-pin<br>engine compartment harness - front HO2S heated oxygen sensor      |
| A15      | Connector 12-pin<br>passenger compartment harness - parcel shelf harness (4DRS)<br>Connector 12-pin,<br>passenger compartment harness - cargo compartment harness (5DRS) | B4  | Connector 8-pin at automatic transmission  |
| A16      | Connector 24-pin passenger compartment harness -cargo compartment harness  | B5  | Connector 8-pin at automatic transmission  |
| A17      | Connector 2-pin<br>passenger compartment harness - dashboard harness   | B6  | Connector 4-pin at seat  |
| A21      | Connector 2-pin<br>passenger compartment harness - Passenger Side Air Bag Module   | B7  | Connector 6-pin under seat   |
| A22      | 2-pin connector<br>engine compartment harness - Anti-lock braking system ABS harness   | B8  | Connector 2-pin under seat   |
| A23      | 4-pin connector<br>Passenger compartment harness - Anti-lock braking system ABS harness  | B9  | Connector 4-pin<br>engine compartment harness - rear HO2S heated oxygen sensor       |
| A25      | Connector 2-pin<br>Passenger compartment harness - pedal mounting harness  | B10 | 3-pin connector, fuel tank pressure sensor   |
| A26      | Connector 2-pin<br>High-level brake light harness - tailgate harness   | D5  | Connector 10-pin tow hitch   |
| A27      | Connector 2-pin<br>rear harness - tailgate harness   | D8  | Connector 8-pin<br>Dashboard harness - outside temperature sensor                    |
| A30      | Connector 2-pin<br>passenger compartment harness - sunroof harness   | D9  | Connector 1-pin,<br>engine compartment harness - auxiliary lamps                     |
|          |  | D10 | Connector 4-pin,<br>passenger compartment harness - accessories (parking heater)     |
|          |  | D21 | Connector 4-pin<br>Passenger compartment harness - accessories (Carphone)            |

# Comments

To  
VOLVO CAR CORPORATION  
Technical Service  
Dept. 91310 SAA1  
**S-405 08 GOTHENBURG**  
**Sweden**  
Telefax +46 31 59 23 53

From

.....

.....

.....

Publication:.....

.....

Section:..... Page..... TP No.....

Suggestion/Reason:

.....

.....

.....

.....

.....

.....

.....

Date.....

.....

If you have any suggestions or comments about this manual make a copy of this page, write down your comments and send to us.