




## Dashboard

Special tools	
	<p><b>999 7117 Guide pins</b> Tool number: 999 7117 Tool description: Guide pins Tool boards: 80</p>

## Removal

**Note!**

Removal steps in this procedure may contain installation details.

---

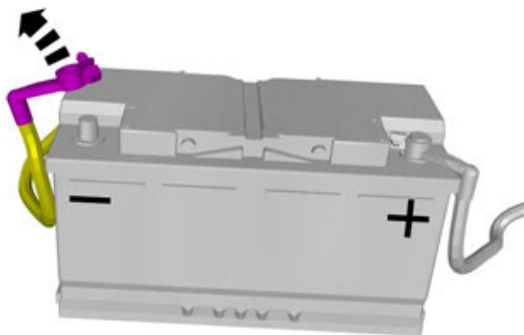
## Preparation

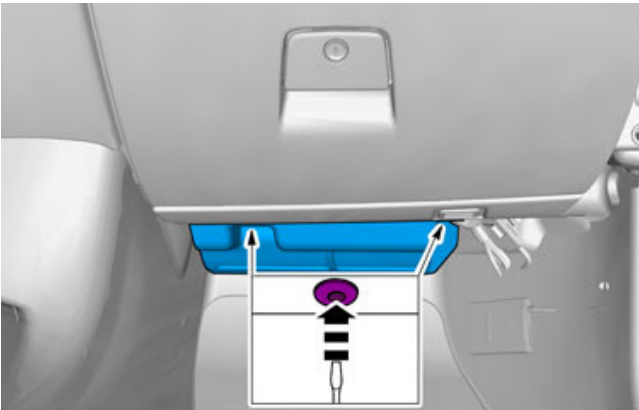
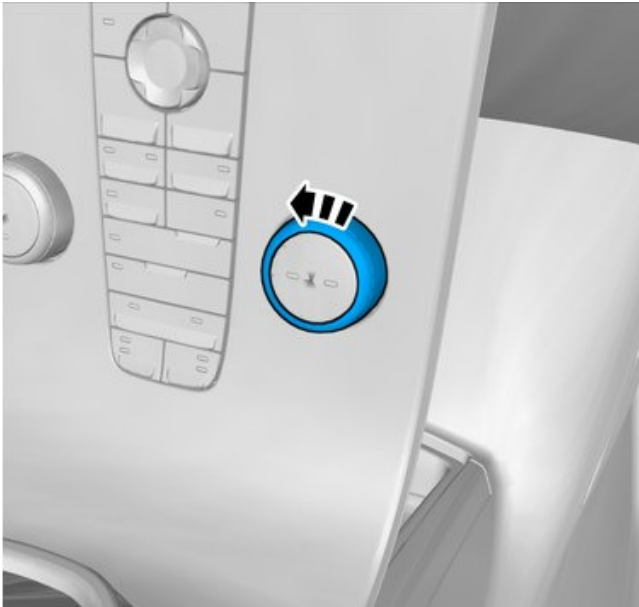
Temperature = maximum Cold

---

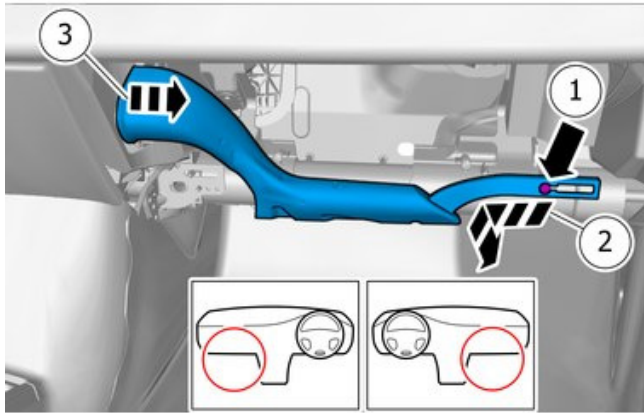
Perform battery disconnecting and connecting Refer to: [Battery disconnecting and connecting.](#)

---





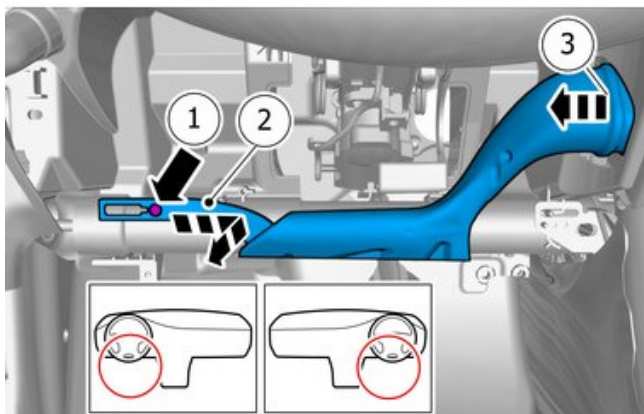
Remove glove compartment Refer to: [Glove compartment](#).



---

Remove instrument panel lower Refer to: [Instrument panel lower.](#)

---



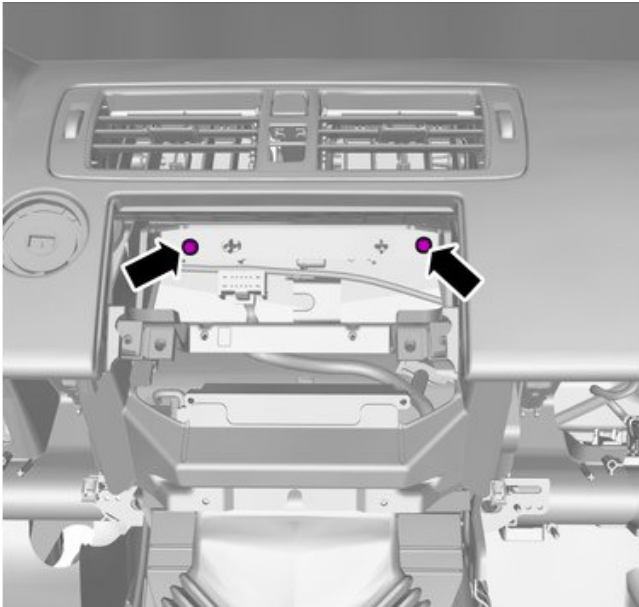
---

Remove floor console Refer to: [Floor console.](#)

---

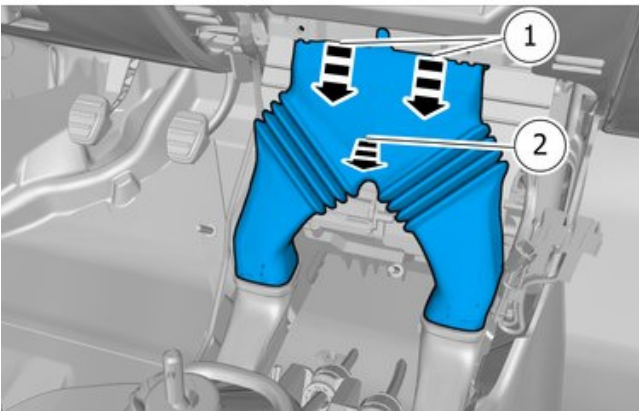
Remove switch flashing hazard lights Refer to: [Switch. hazard warning flashers.](#)

---



**Torque:**M6, 10 Nm

---



Remove the combined instrument panel Refer to: [Combined instrument panel.](#)

---

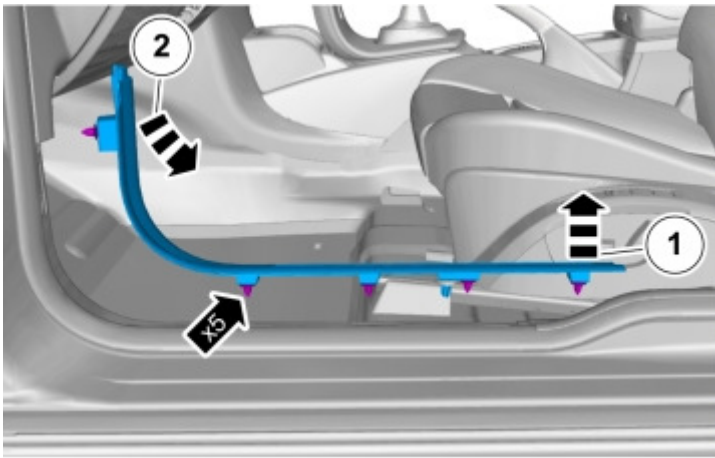


On both sides.

---

Remove panel A-pillar Refer to: [A-pillar trim panel](#).

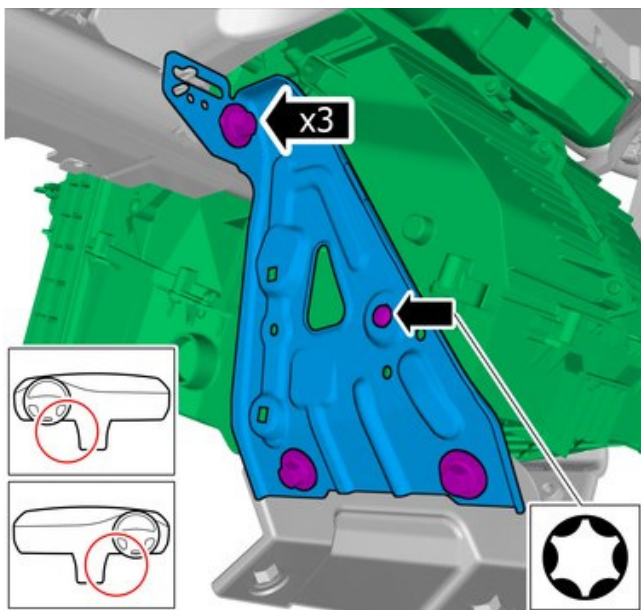
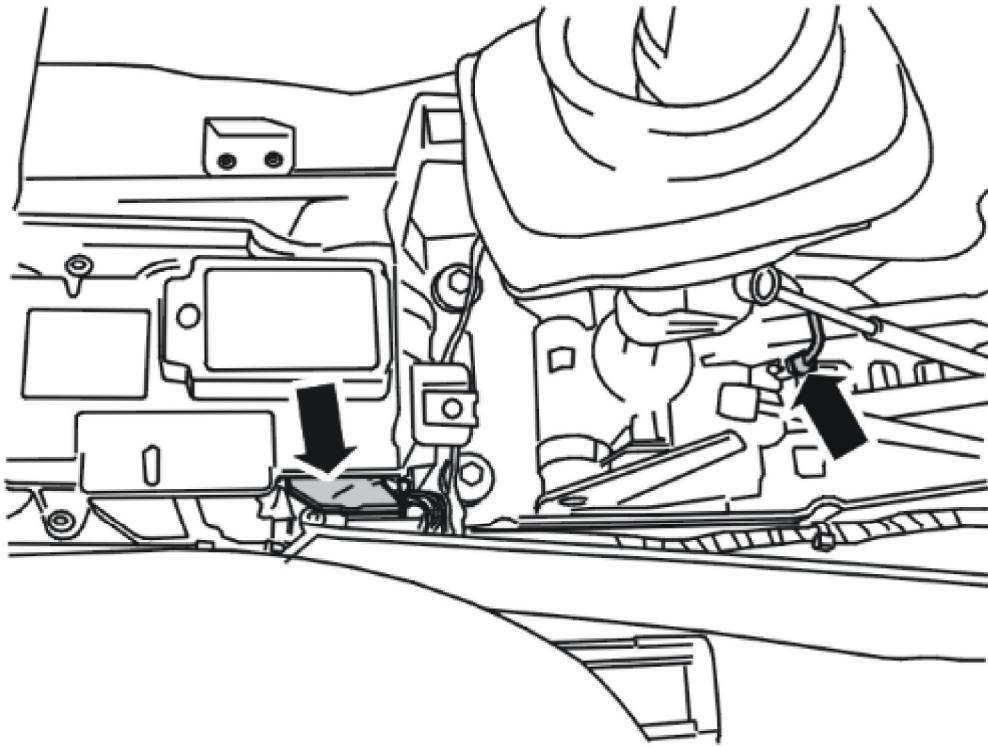
---

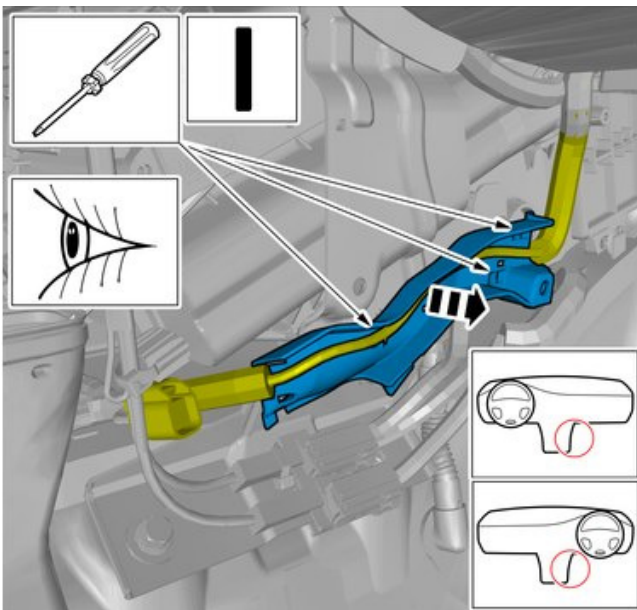
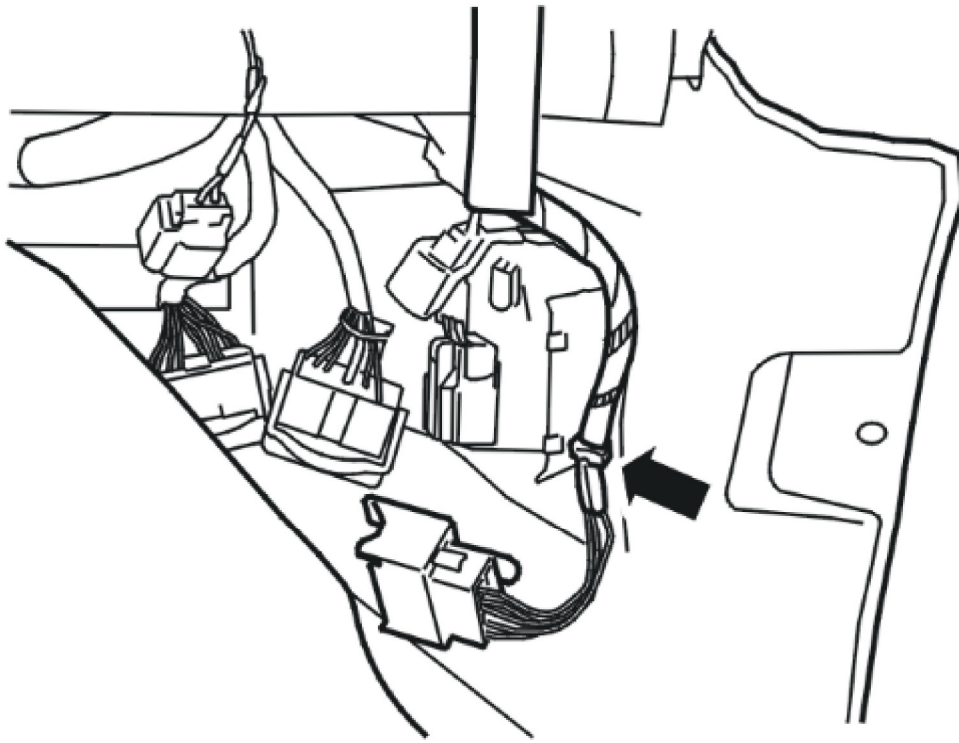


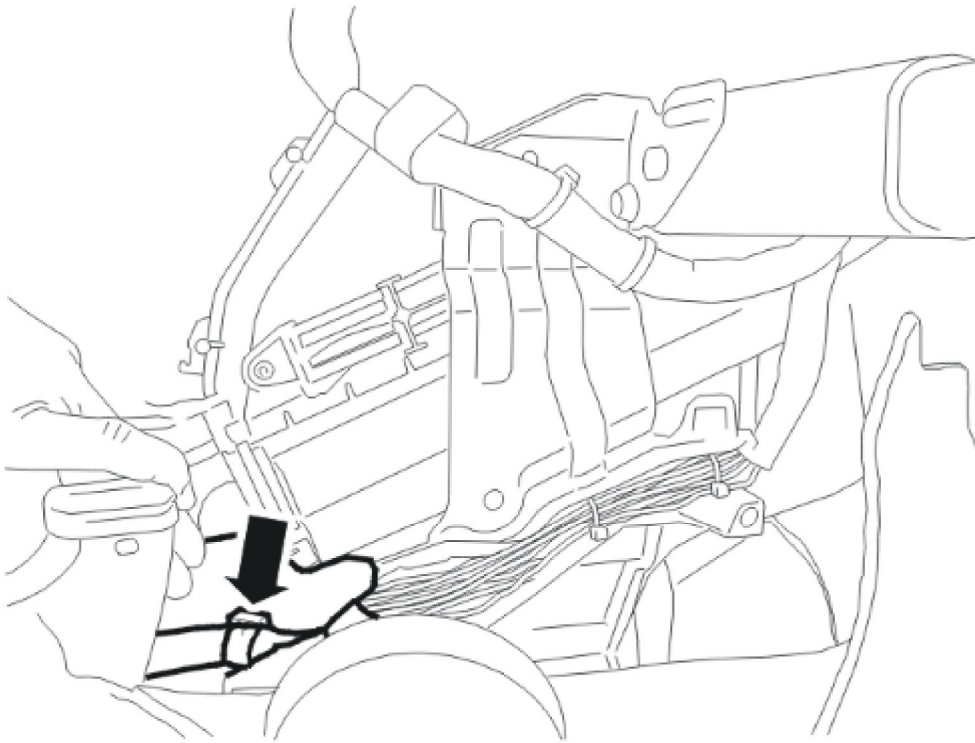
Remove control module relay box passenger compartment Refer to: [Control module relay box passenger compartment](#).

---

**Torque:**M8, 24 Nm







---

### Vehicles with electric booster heater

---

**Torque:**M8, 24 Nm

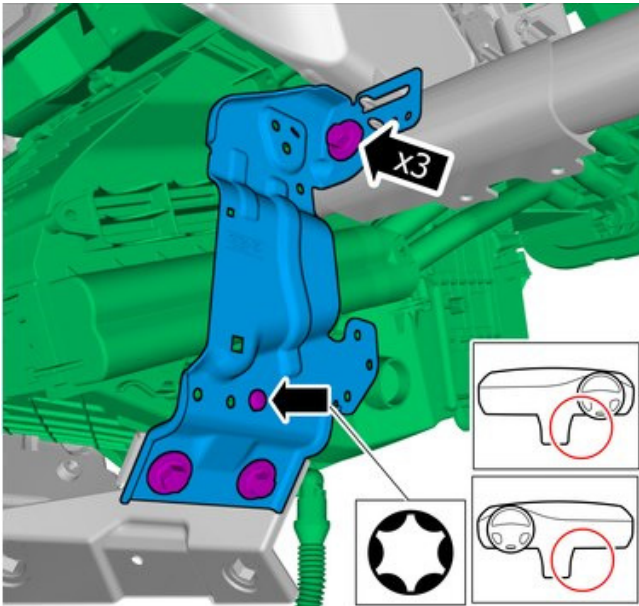
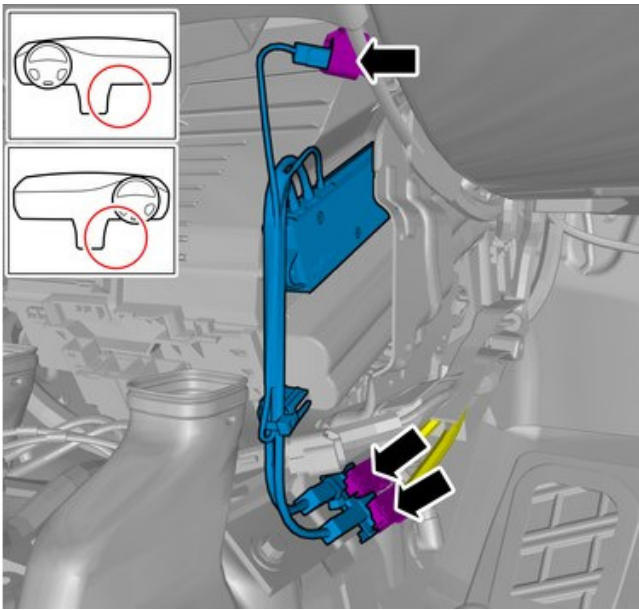
Remove steering column Refer to: [Steering column.](#)

---

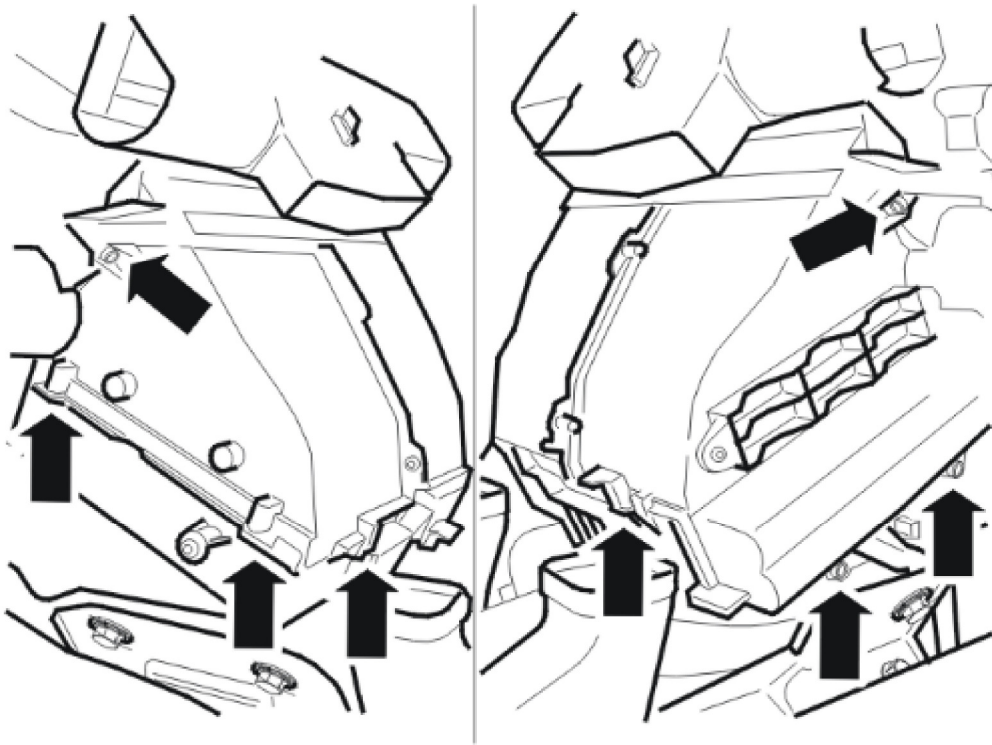
Remove the wiper mechanism, windscreen Refer to: [Wiper mechanism, windshield.](#)

---





**Torque:**M8, 24 Nm



---

On both sides.

---

On both sides.

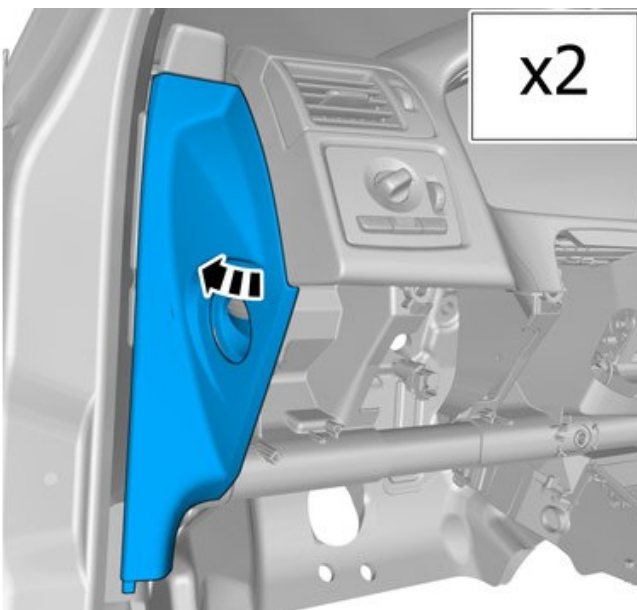
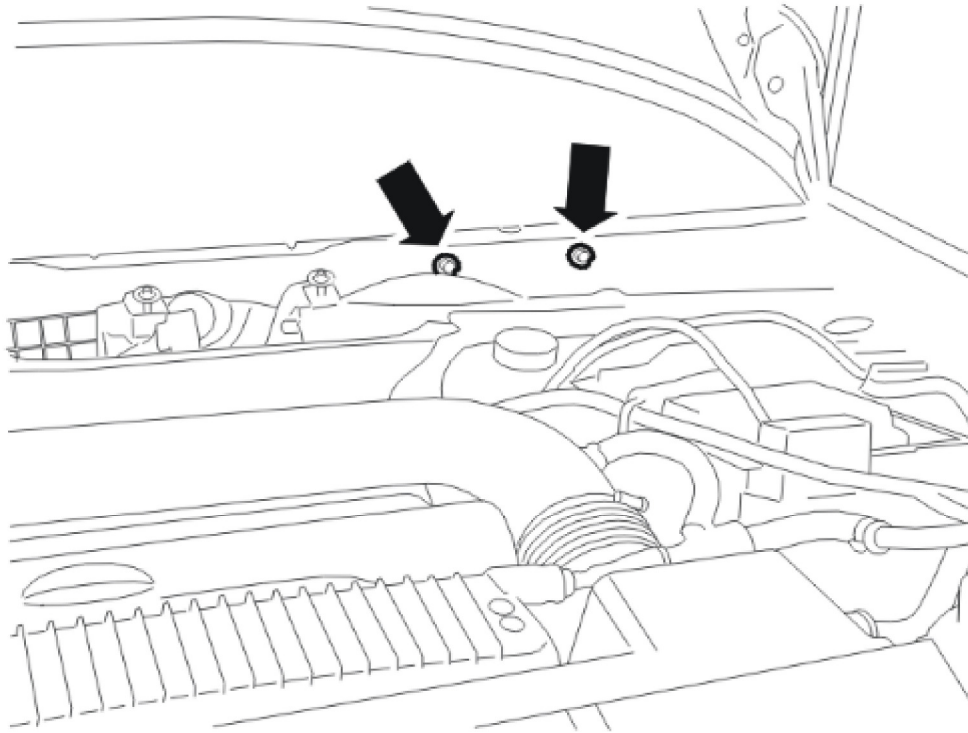
---

**Caution!**  
Unscrew until stop position.

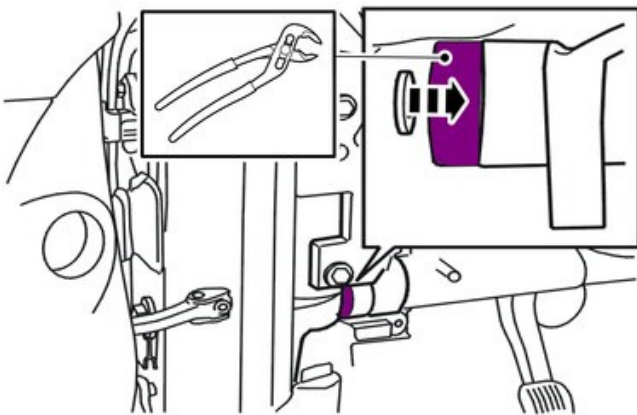
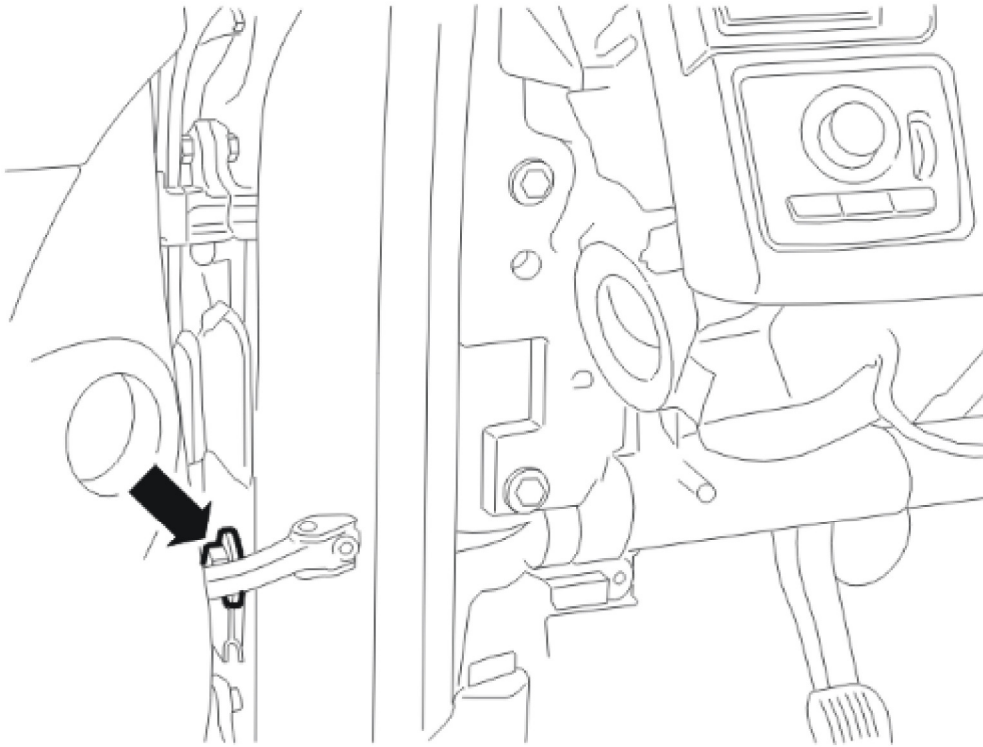
On both sides.

---

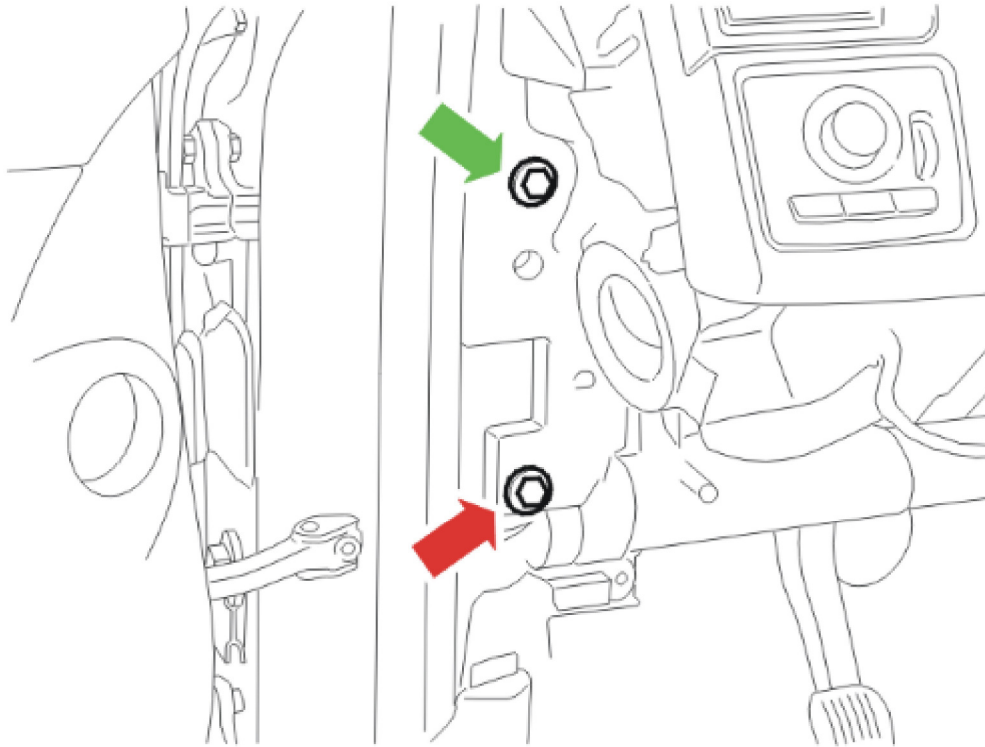
**Note!**



**Make sure to turn the component until stop.**



On both sides.



Special Tool: [999 7117](#)

**Torque:**M8, 24 Nm

---

Special Tool: [999 7117](#)

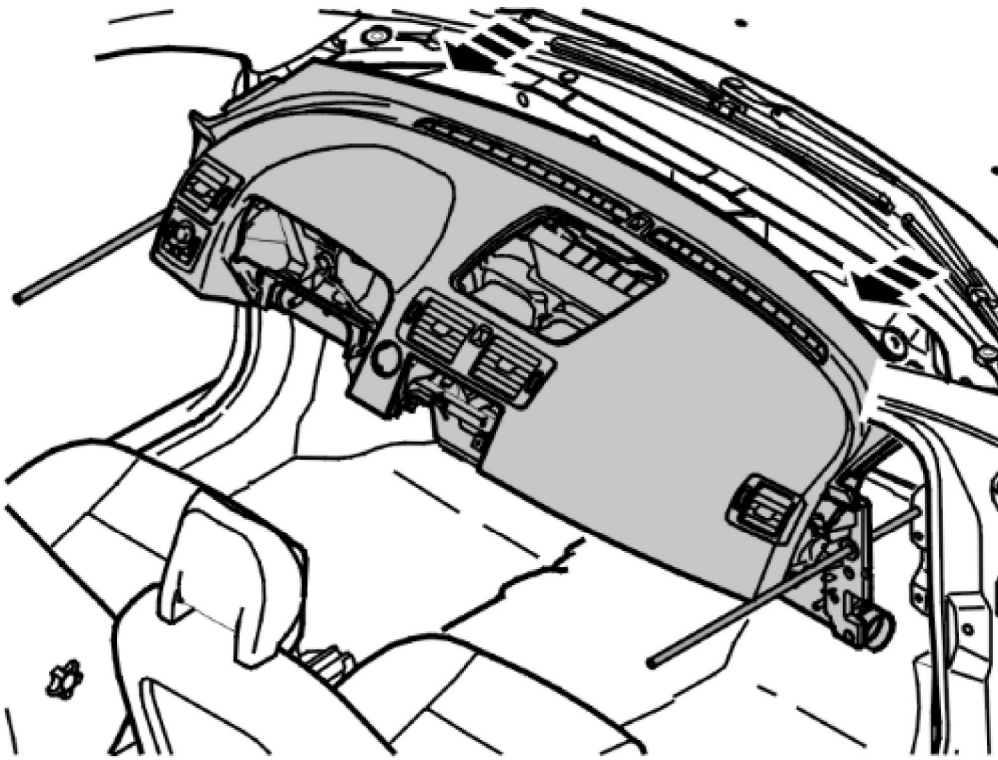
### Transferring components

Remove sun sensor Refer to: [Sun sensor](#).

---

Remove speaker instrument panel Refer to: [Dashboard speaker](#).

---



---

Remove switch lighting Refer to: [Lighting switch](#).

---

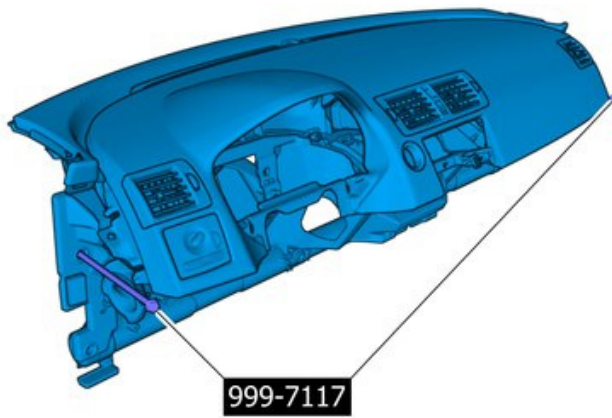
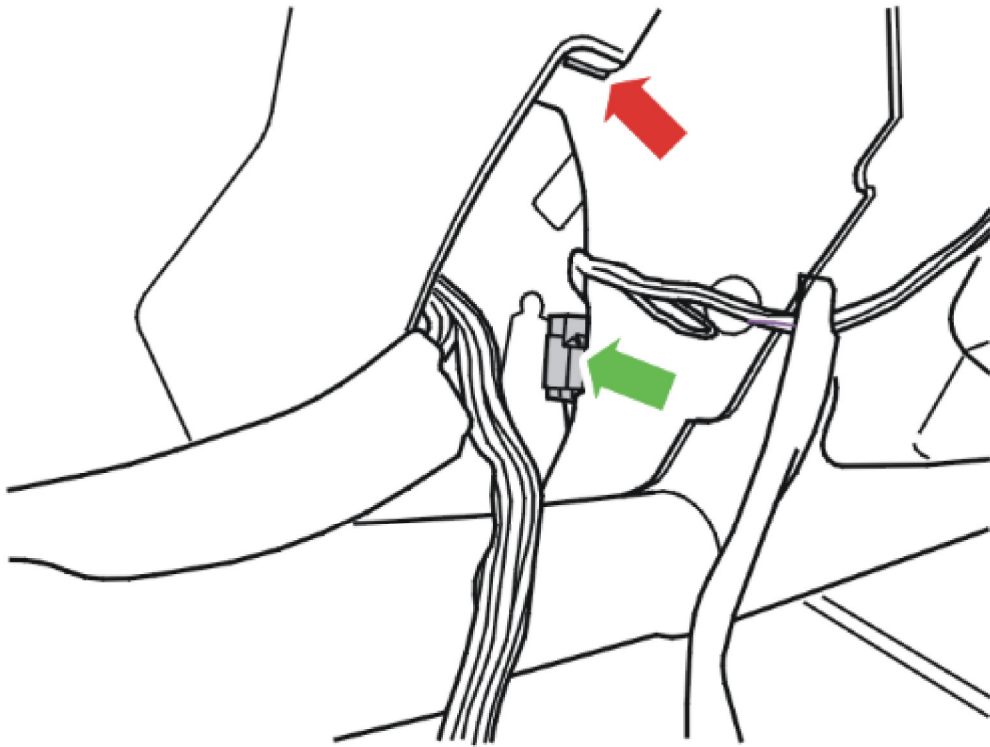
Remove ventilation nozzle driver's side Refer to:

---

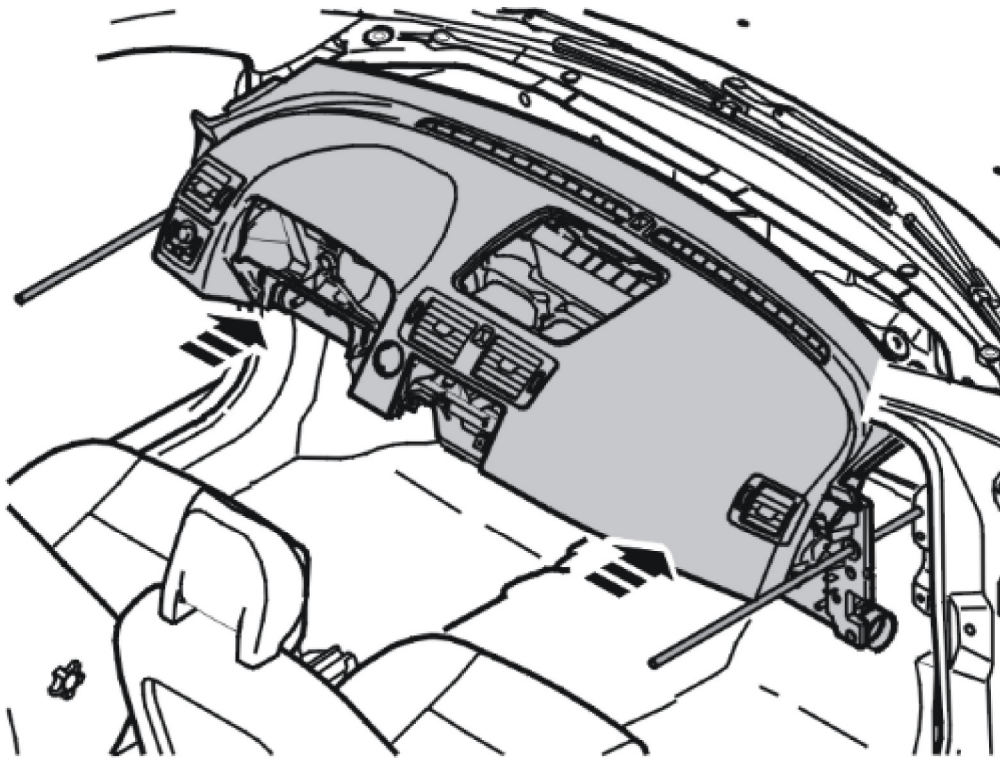
Remove the ignition switch Refer to: [Ignition lock](#).

---

## Installation







---

To install, reverse the removal procedure.

---