



Installation instructions, accessories

Volvo Car Corporation Gothenburg, Sweden

Instruction No	Version	Part. No.
31346085	1.3	31407108, 31346554, 31350479, 31288762

Towbar, control module (TRM)



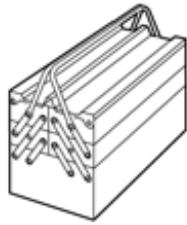
Installation instructions, accessories

Volvo Car Corporation Gothenburg, Sweden

Equipment

VIDA

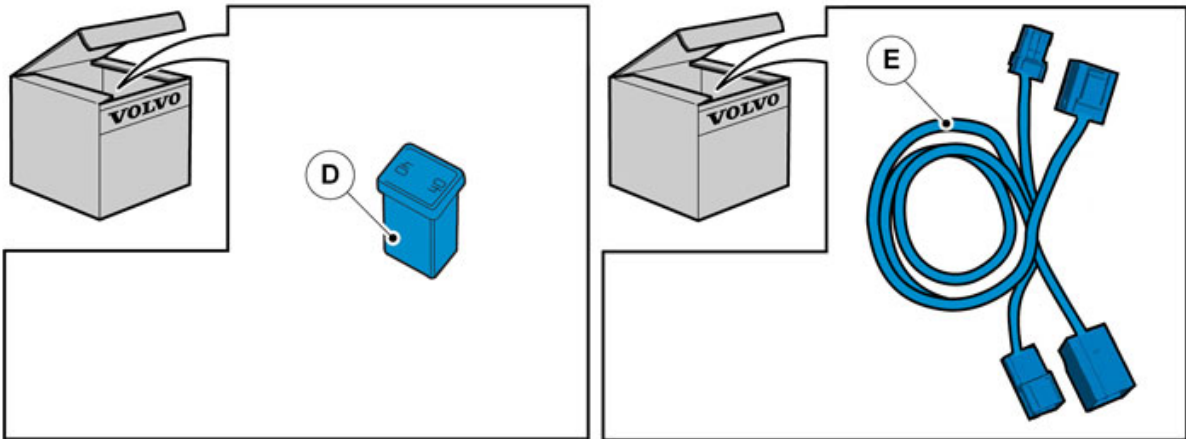
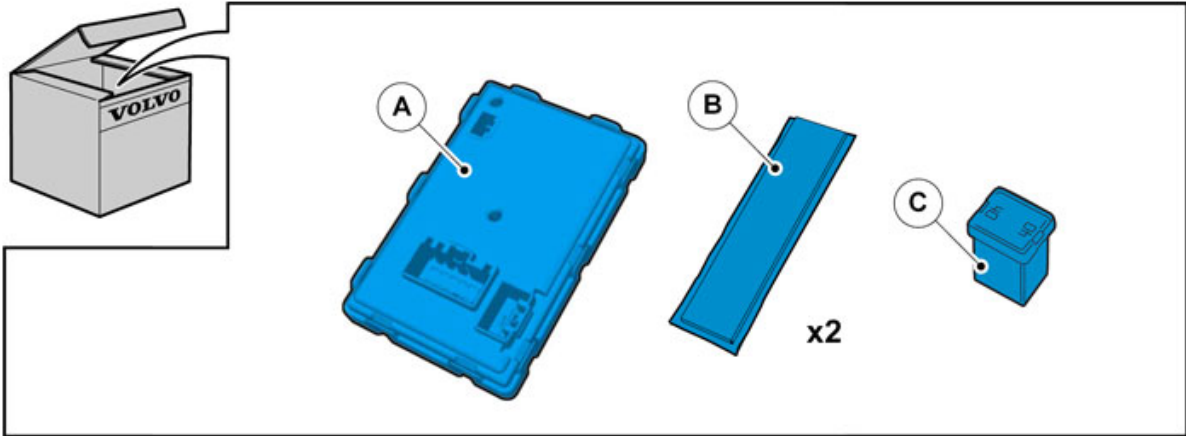
IMG-242205



IMG-345497



IMG-332314



IMG-360021



Installation instructions, accessories

Volvo Car Corporation Gothenburg, Sweden

INTRODUCTION

Read through all of the instructions before starting installation.

Notifications and warning texts are for your safety and to minimise the risk of something breaking during installation.

Ensure that all tools stated in the instructions are available before starting installation.

Certain steps in the instructions are only presented in the form of images. Explanatory text is also given for more complicated steps.

In the event of any problems with the instructions or the accessory, contact your local Volvo dealer.

Note!

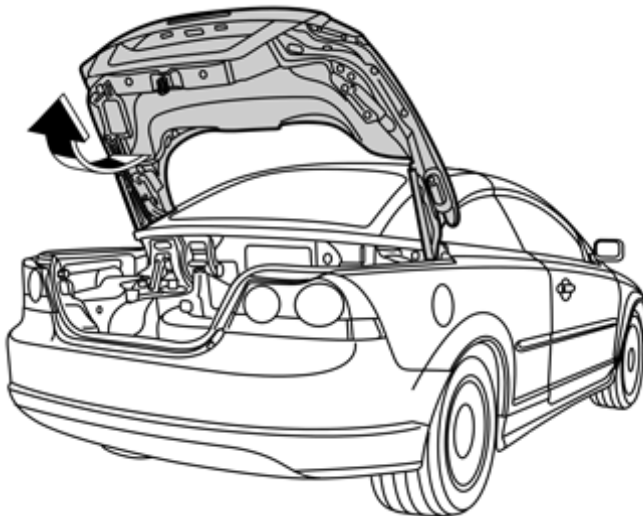
Some steps in these installation instructions are presented with illustration only.

Note!

When installing Velcro fasteners/tape the underlying surface must be kept at a temperature of at least +20° C (68°F).

There may be parts in the accessories kit that are not needed for this installation.

1



IMG-221940

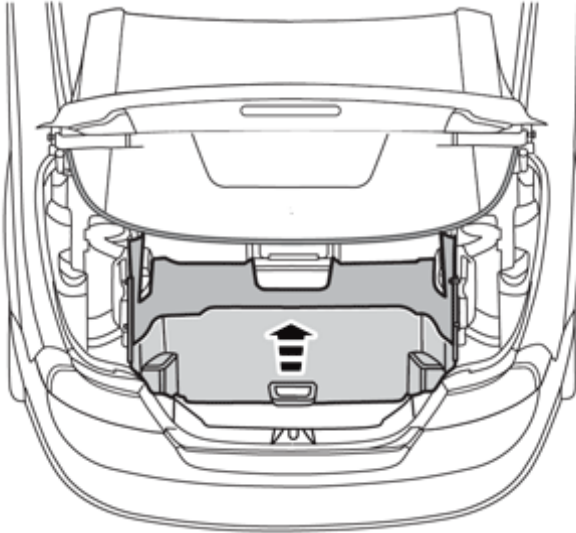
Open the boot lid.



Installation instructions, accessories

Volvo Car Corporation Gothenburg, Sweden

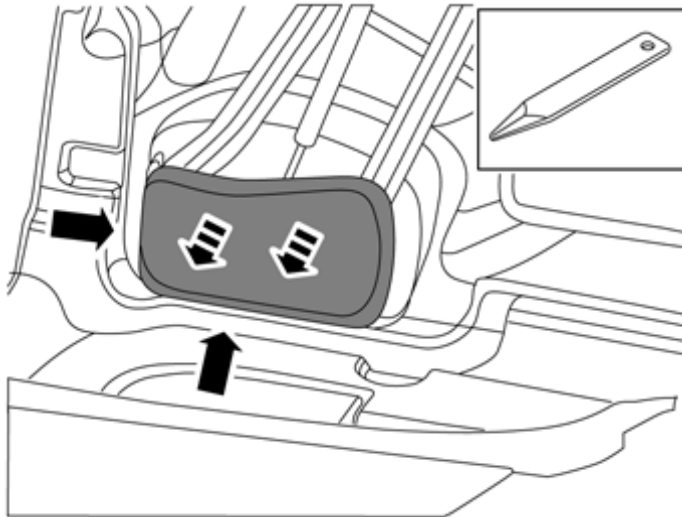
2



Lift up the cargo compartment's divider.

IMG-334528

3



Remove the covers on each side of the divider.

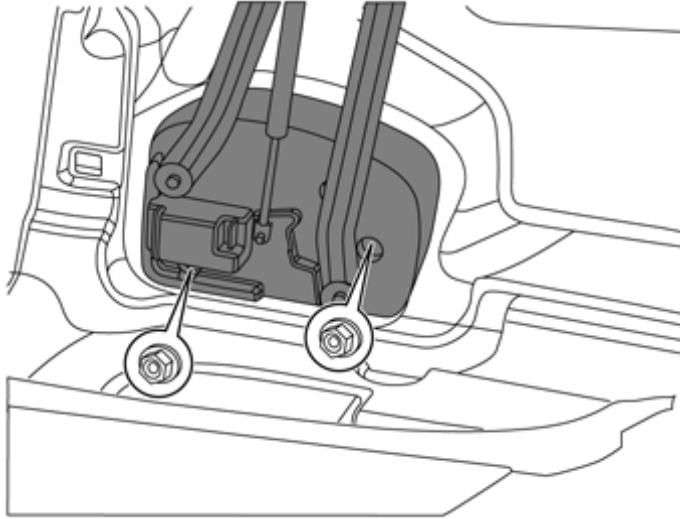
IMG-242961



Installation instructions, accessories

Volvo Car Corporation Gothenburg, Sweden

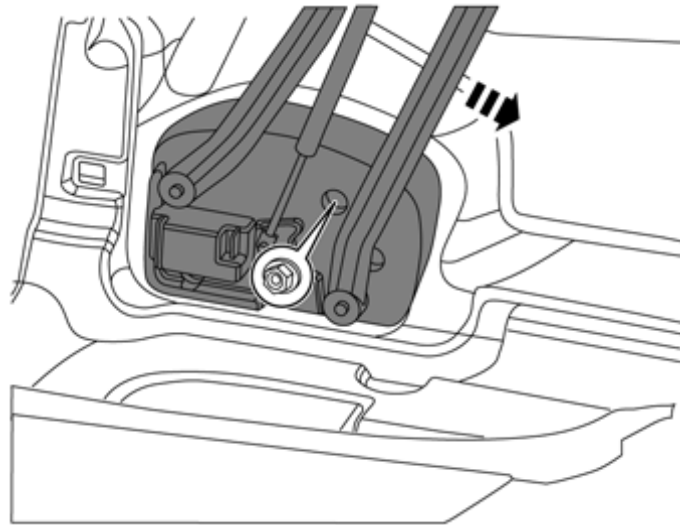
4



IMG-242962

Screw out the two nuts 4 revolutions, on each side of the divider.

5



IMG-242963

Lower the divider slightly.

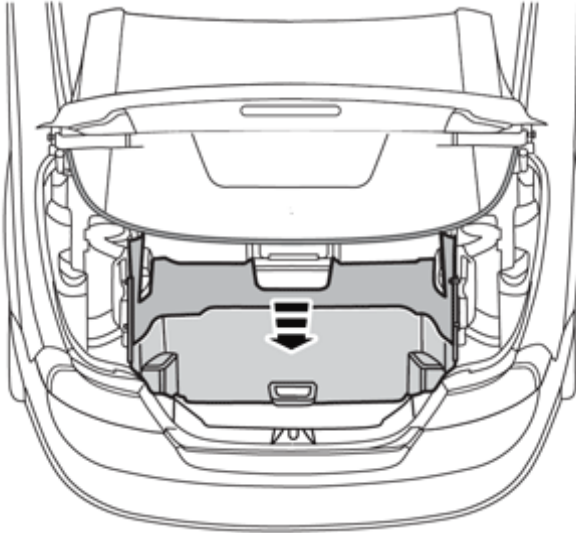
Unscrew the third nut on each side of the divider four turns.



Installation instructions, accessories

Volvo Car Corporation Gothenburg, Sweden

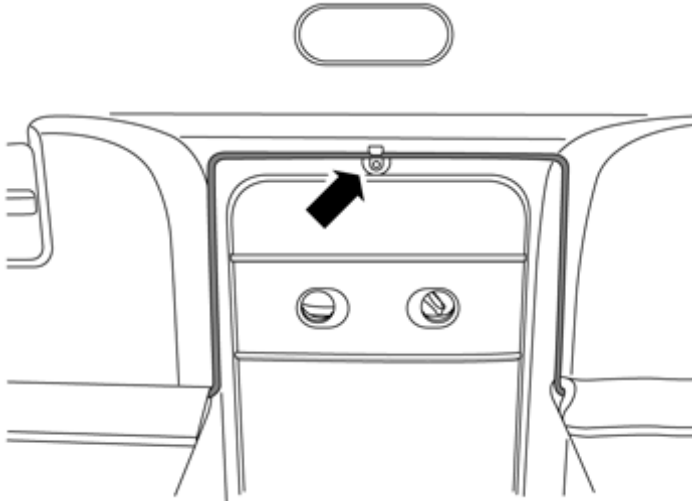
6



Lower the divider completely.

IMG-334529

7



Detach the wire frame from the clip.

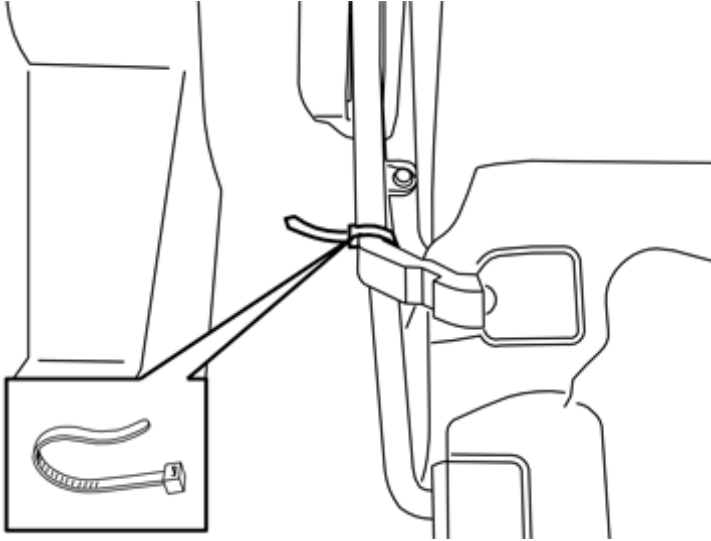
IMG-242964



Installation instructions, accessories

Volvo Car Corporation Gothenburg, Sweden

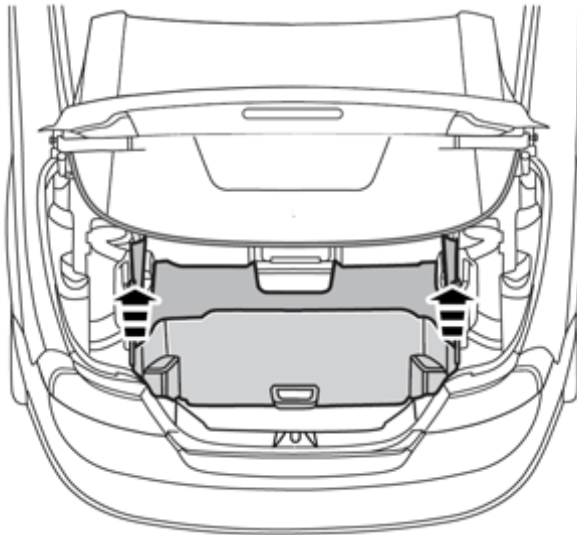
8



IMG-226483

Use a cable tie or the like to lock the divider's two arms on the right and left side.

9



IMG-334530

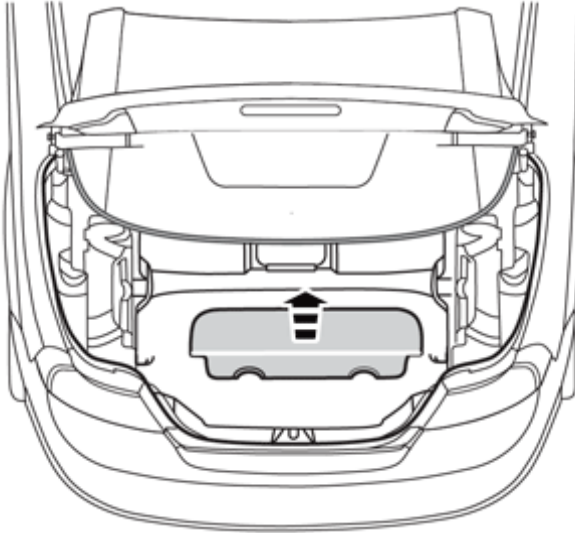
Remove the divider by gripping the arms and lifting up.



Installation instructions, accessories

Volvo Car Corporation Gothenburg, Sweden

10

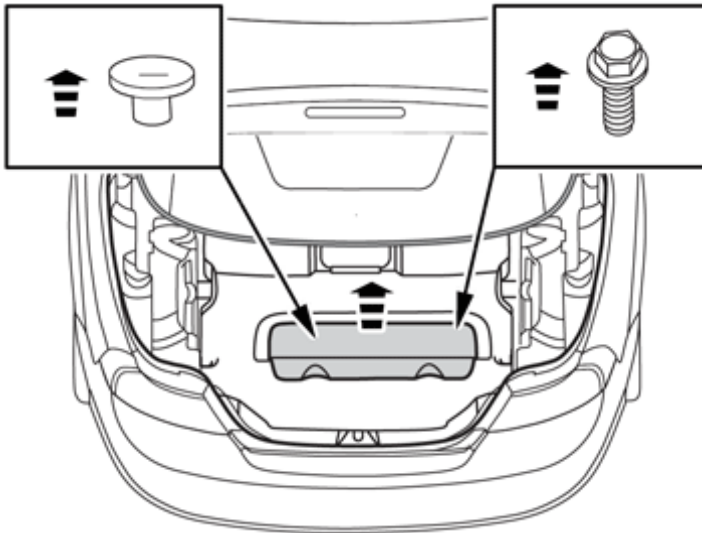


IMG-334531

Remove:

- the toolbox cover.
- the spare wheel, if present.

11



IMG-334532

Take the tools out from the toolbox.

Remove:

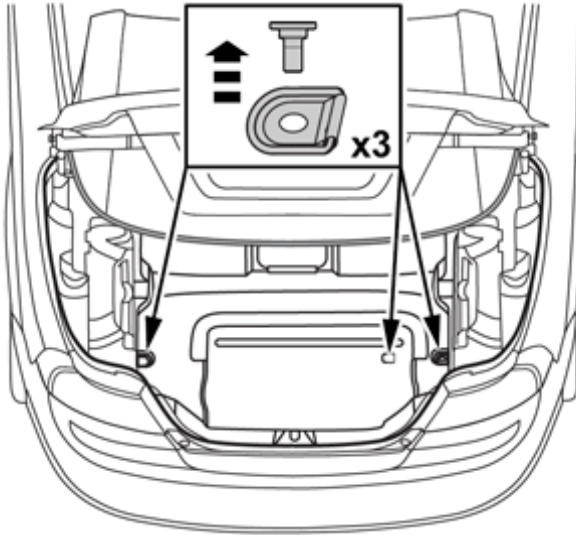
- the clip.
- the screw.
- the toolbox.



Installation instructions, accessories

Volvo Car Corporation Gothenburg, Sweden

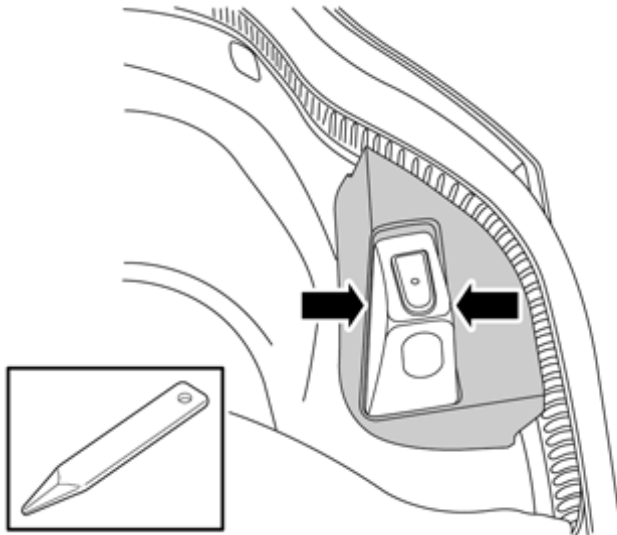
12



Remove the three screws and the load retaining eyelets from the floor.

IMG-334533

13



Remove the cover from the trunk lid stop. Use a weatherstrip tool to pry between the cover and the stop to release the catches.

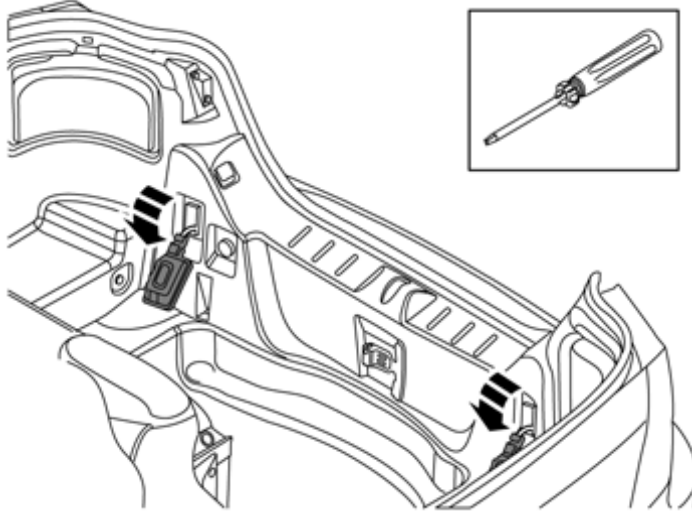
IMG-334534



Installation instructions, accessories

Volvo Car Corporation Gothenburg, Sweden

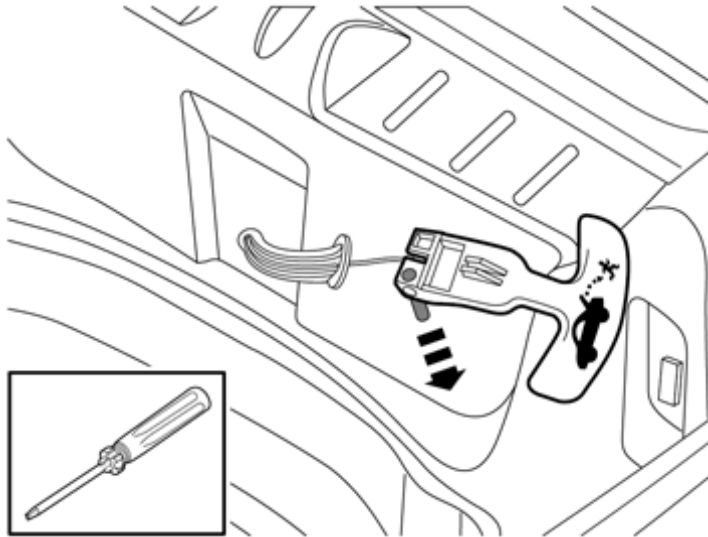
14



IMG-242966

Remove the two lamps by pressing in the two catches in the top edge using a screwdriver.

15



IMG-334535

Applies to cars with emergency opening handle in the cargo compartment

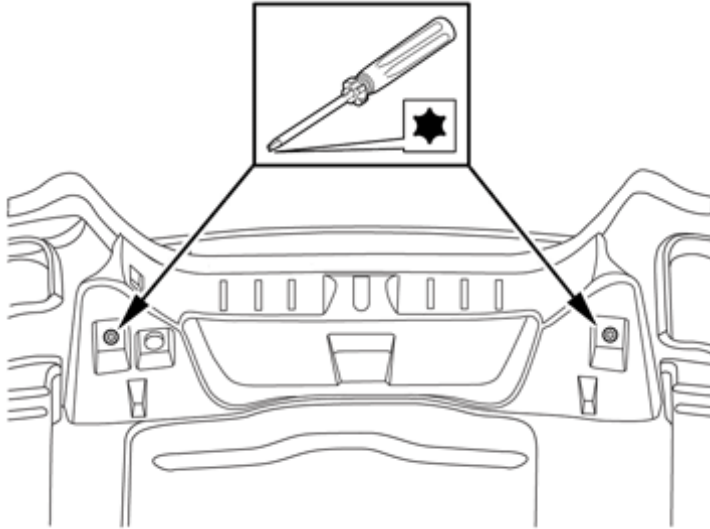
Remove the boot lid's emergency opening handle by pressing out the pin at the eye and then unhooking the wire.



Installation instructions, accessories

Volvo Car Corporation Gothenburg, Sweden

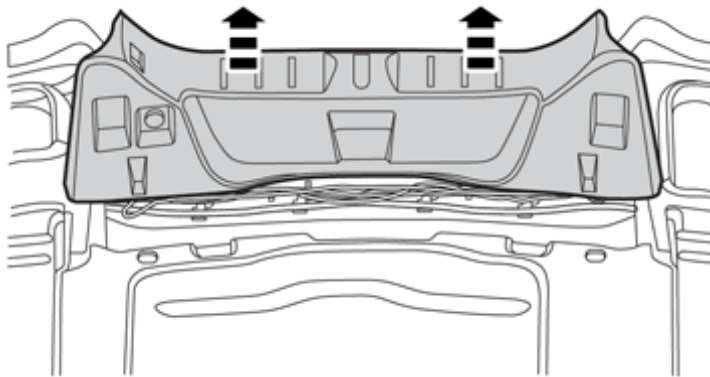
16



IMG-334536

Remove the two screws in the sill moulding.

17



IMG-334537

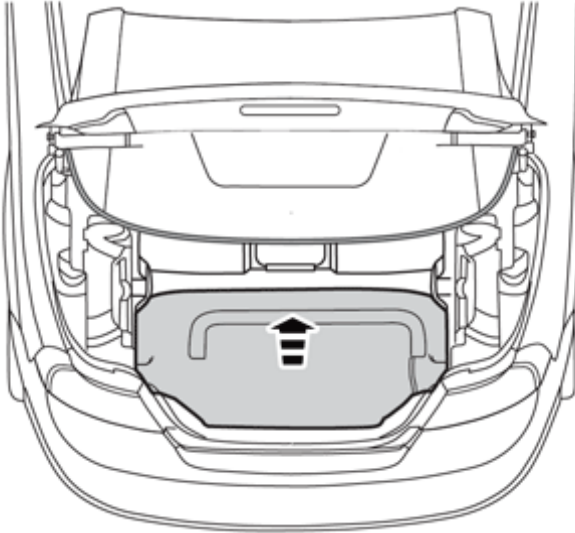
Remove the sill moulding by pulling it up until the clips release. Move the sill moulding to one side.



Installation instructions, accessories

Volvo Car Corporation Gothenburg, Sweden

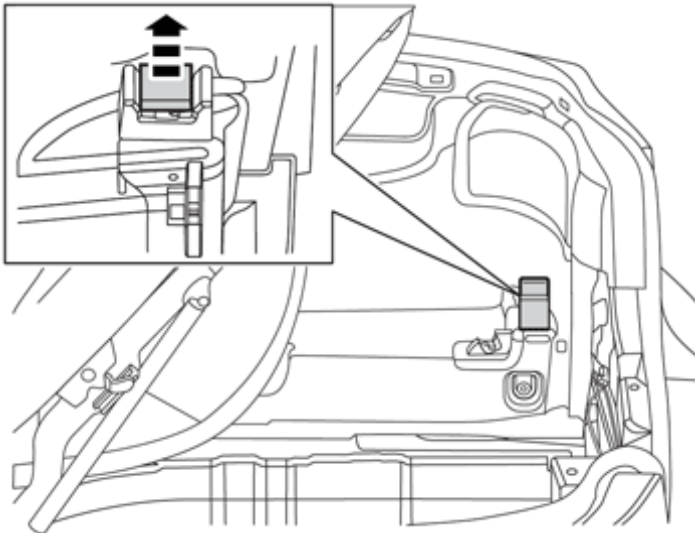
18



Remove the carpet in the cargo compartment.

IMG-334538

19



Remove the rubber stop on the roof's stop bracket.

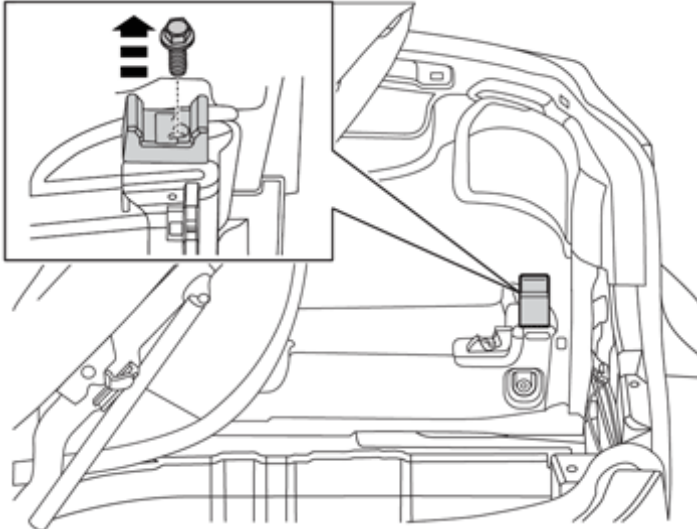
IMG-334539



Installation instructions, accessories

Volvo Car Corporation Gothenburg, Sweden

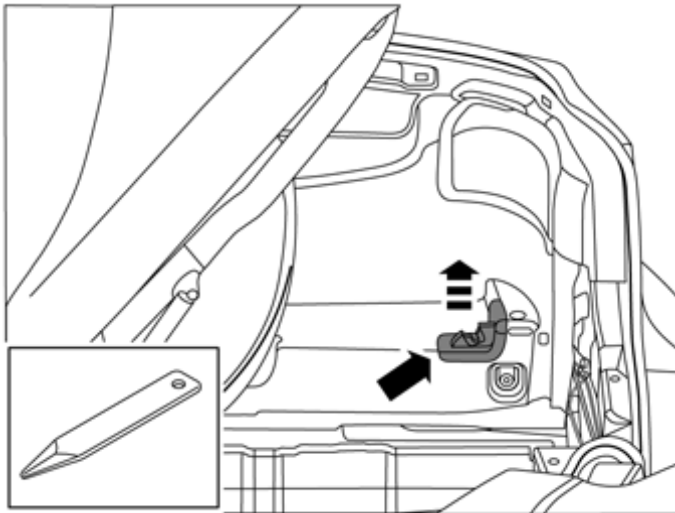
20



IMG-334540

Mark out the stop bracket for the roof in relation to the screw.
Remove the screw and the roof's stop bracket.

21



IMG-242968

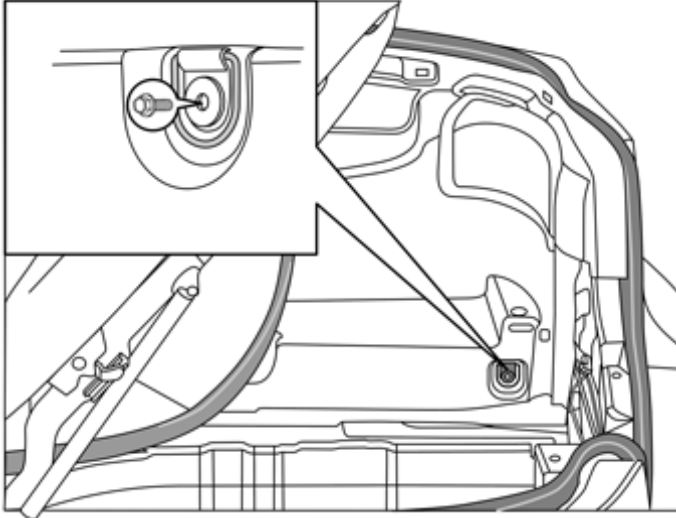
Remove the load divider lock by using a weatherstrip tool to pry between the carpet and lock.



Installation instructions, accessories

Volvo Car Corporation Gothenburg, Sweden

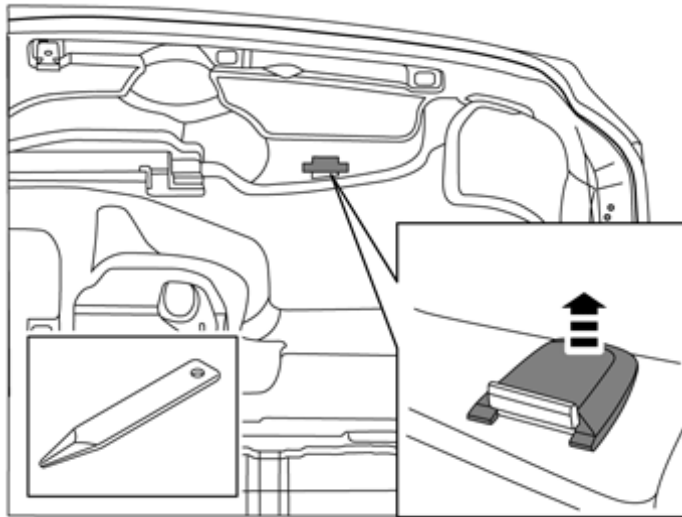
22



IMG-221974

Remove the screw and the load retaining eyelet on the right-hand side.

23



IMG-242969

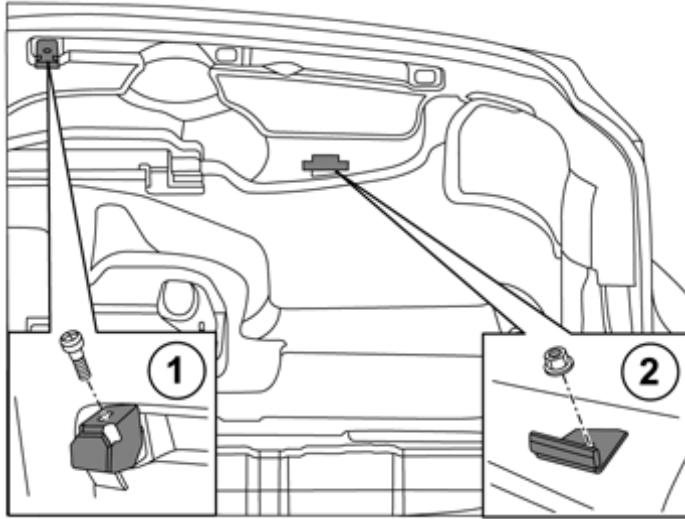
Remove the stop brace cover.



Installation instructions, accessories

Volvo Car Corporation Gothenburg, Sweden

24

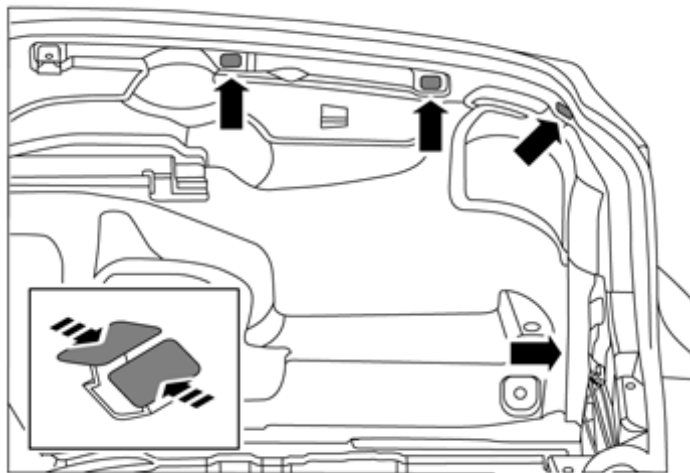


IMG-242970

Mark out the stop braces for the roof in relation to the screws and nuts on the right side.

Remove the screw, nut and the roof's stop braces.

25



IMG-221976

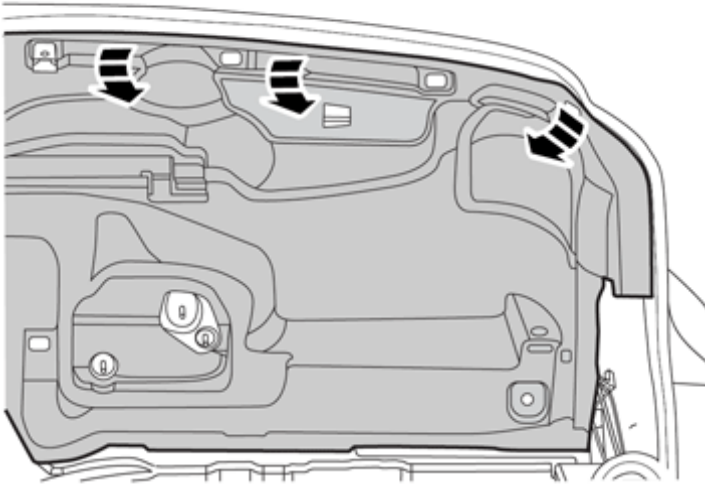
Undo the four clips on the side panel.



Installation instructions, accessories

Volvo Car Corporation Gothenburg, Sweden

26



IMG-359901

Remove the side panel by unhooking it from the stop lug at the front edge and the pulling outward and upward so that it releases from the sealing strip.

27



IMG-359751

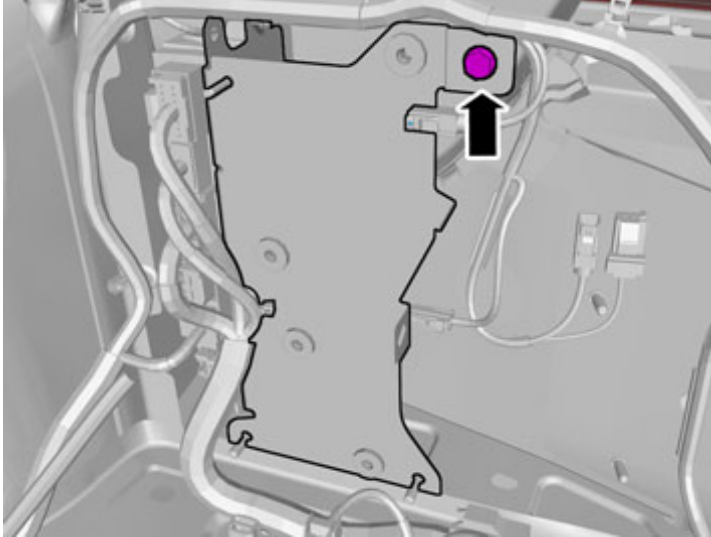
Remove the nuts.



Installation instructions, accessories

Volvo Car Corporation Gothenburg, Sweden

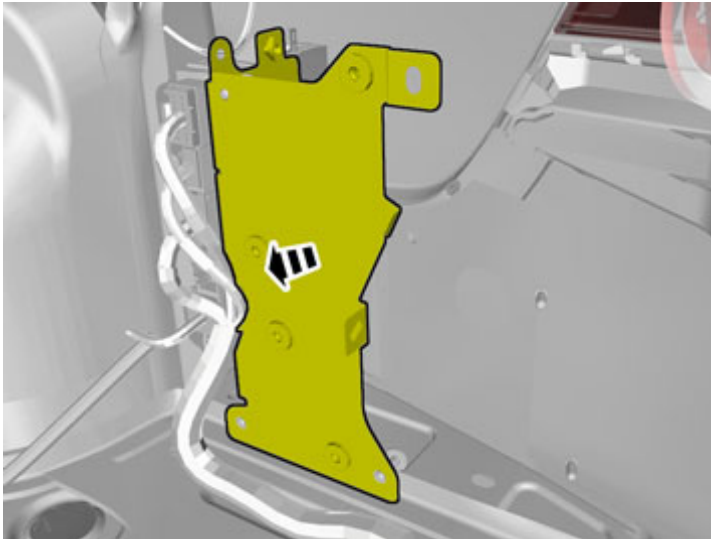
28



Remove the screw.

IMG-359754

29



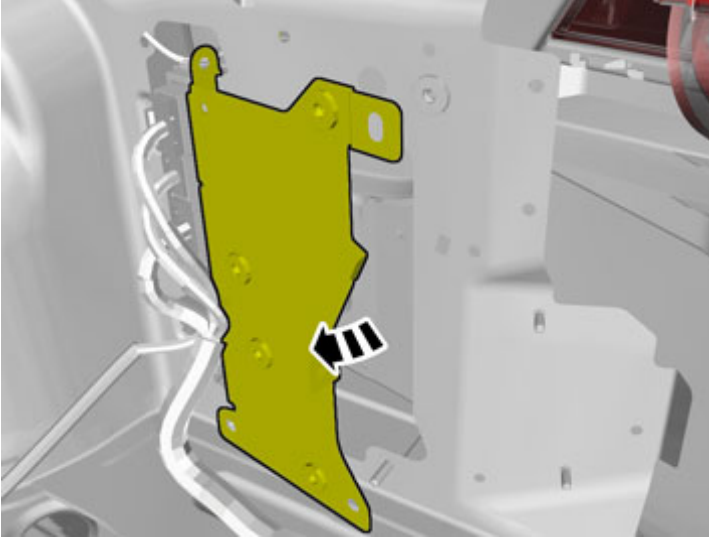
IMG-359757



Installation instructions, accessories

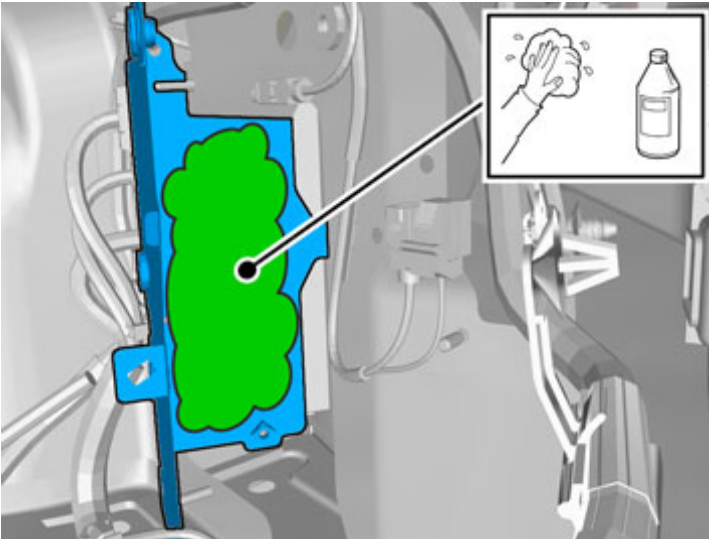
Volvo Car Corporation Gothenburg, Sweden

30



IMG-359756

31



IMG-359758

Installing the control module

Clean the marked surface on the inside of the bracket using isopropanol and wipe dry.

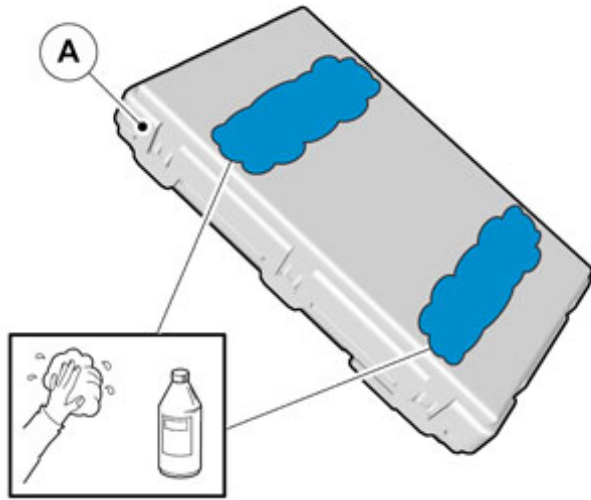
Use: Isopropanol, 1161721



Installation instructions, accessories

Volvo Car Corporation Gothenburg, Sweden

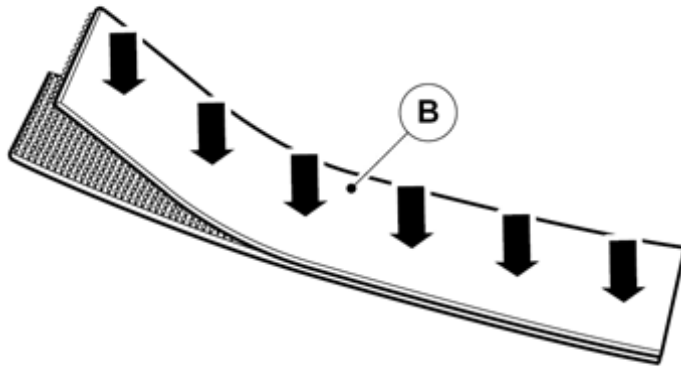
32



Use: Isopropanol, 1161721 Wipe dry.

IMG-356179

33



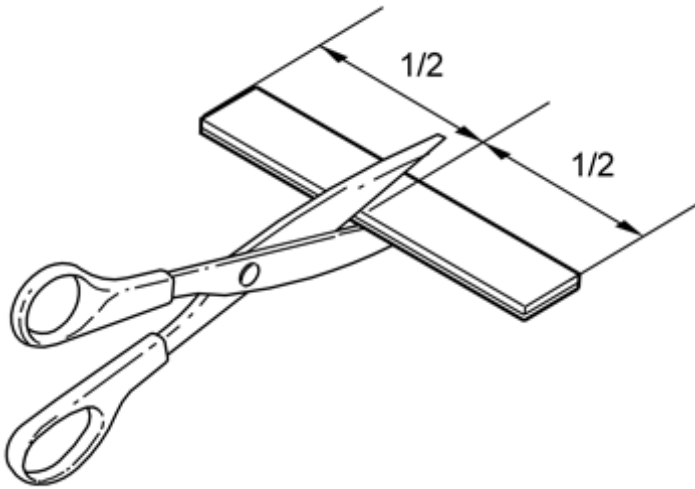
IMG-356181



Installation instructions, accessories

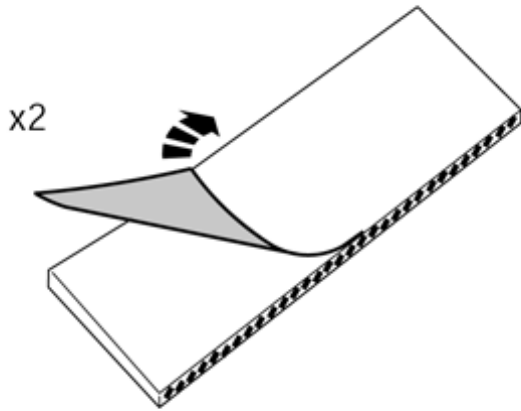
Volvo Car Corporation Gothenburg, Sweden

34



IMG-222282

35



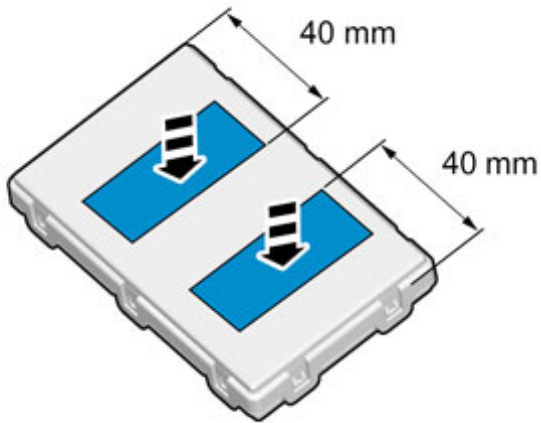
IMG-241925



Installation instructions, accessories

Volvo Car Corporation Gothenburg, Sweden

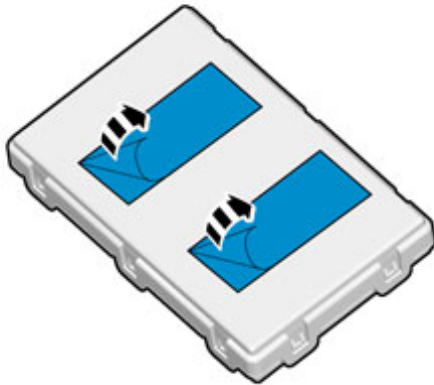
36



When installing Velcro tape the surface must maintain a temperature of at least +20 ° C (68°F).

IMG-356351

37



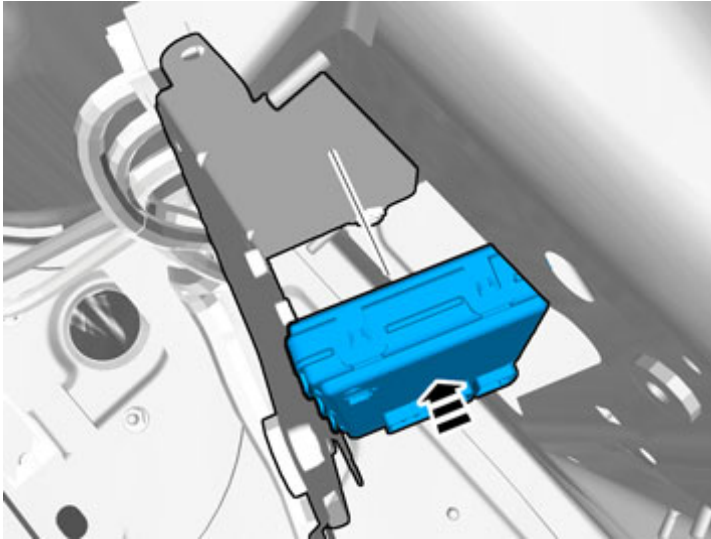
IMG-356352



Installation instructions, accessories

Volvo Car Corporation Gothenburg, Sweden

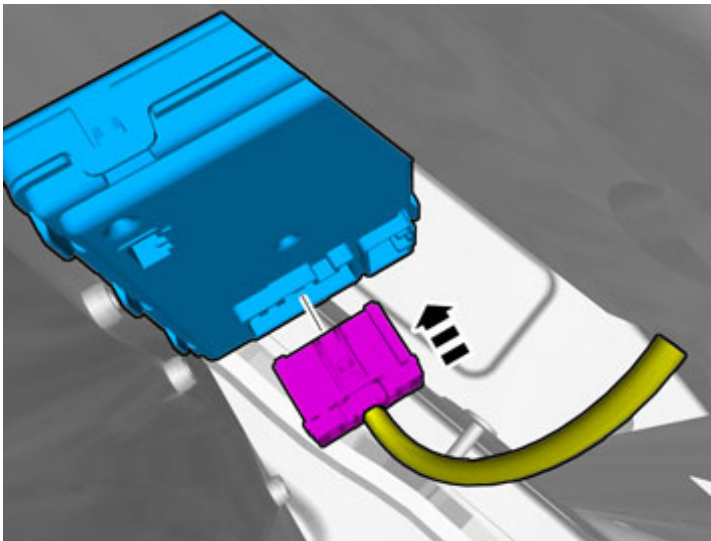
38



IMG-359882

Press the control module against the bracket.

39



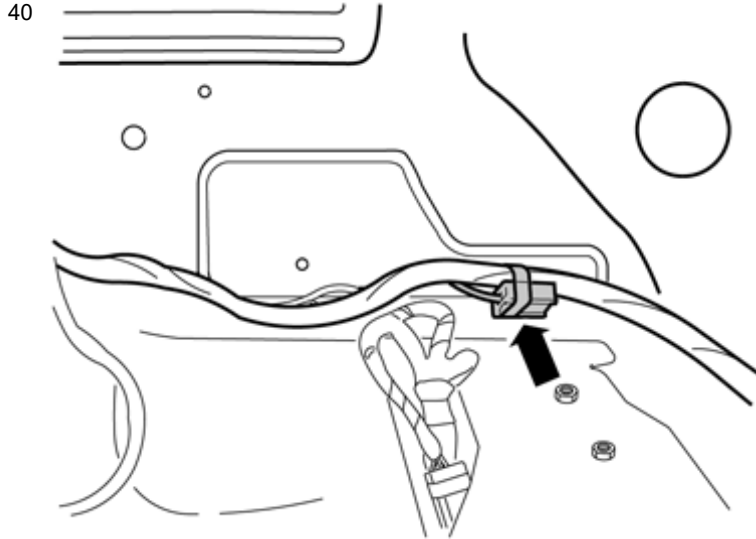
IMG-359883

Connect the connector from the wiring to the control module.



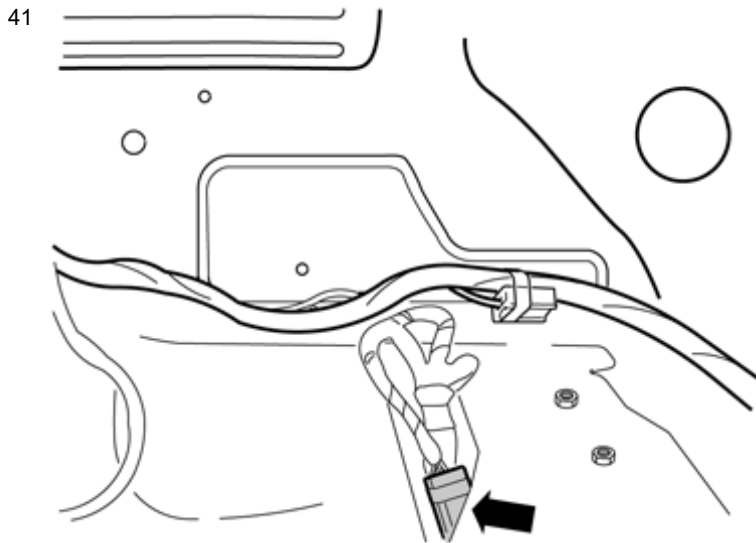
Installation instructions, accessories

Volvo Car Corporation Gothenburg, Sweden



IMG-359890

Locate the 2-pin gray connector that is taped to the vehicle's standard cable harness.



IMG-359892

Applies to cars with parking assistance

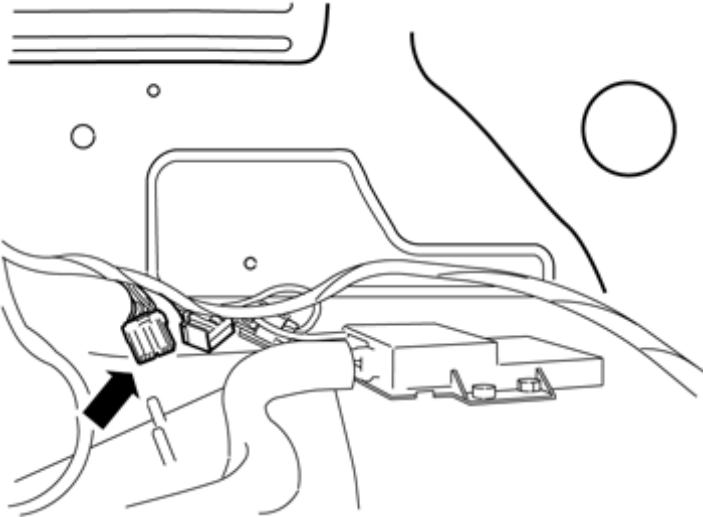
Locate the 4-pin green connector that is taped to the cable harness for park assist.



Installation instructions, accessories

Volvo Car Corporation Gothenburg, Sweden

42

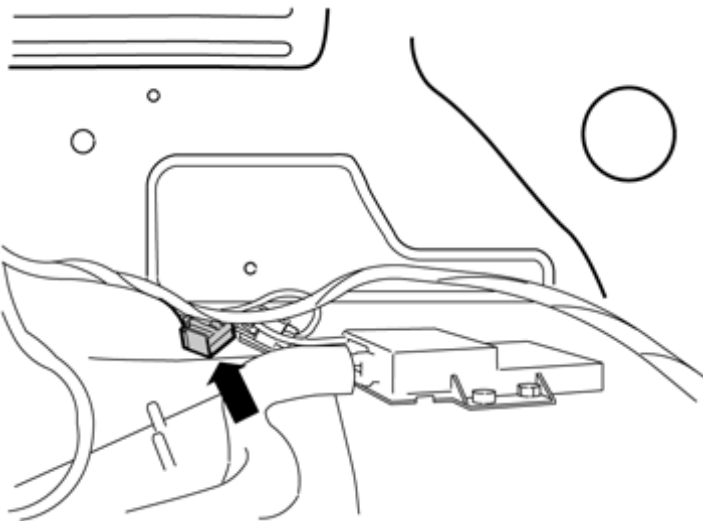


IMG-359894

Applies to cars with accessory electronic modules (AEM)

Locate the 4-pin green connector from the accessory electronic module (AEM) taped to the vehicle's standard cable harness.

43



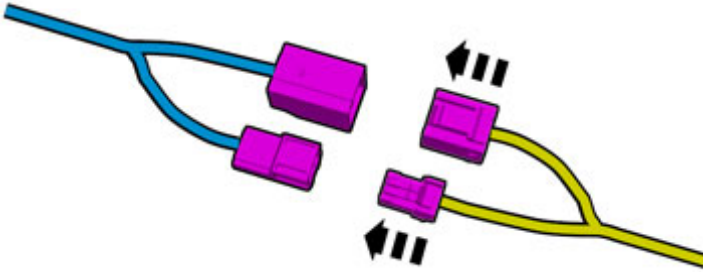
IMG-359895

Applies to others

Locate the 4-pin green connector that is taped to the vehicle's standard cable harness.

44

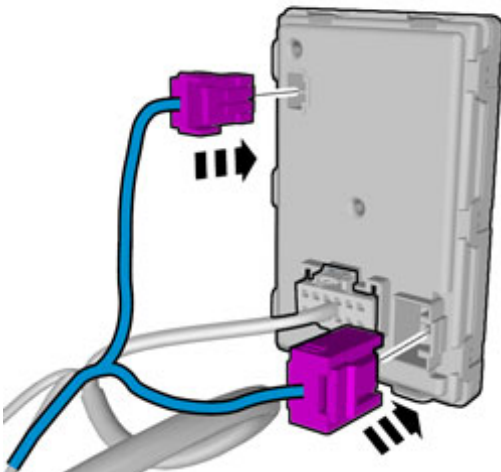
Connect the extension cable to the located connector.



IMG-359926

45

Connect the connectors from the extension wiring to the control module.



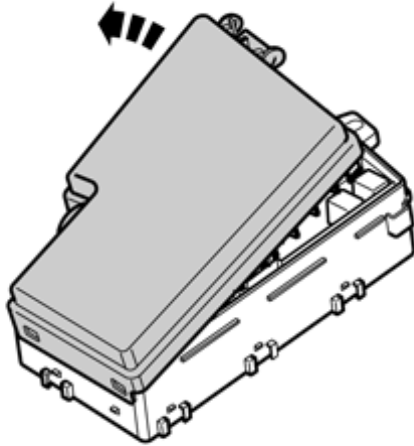
IMG-359922



Installation instructions, accessories

Volvo Car Corporation Gothenburg, Sweden

46

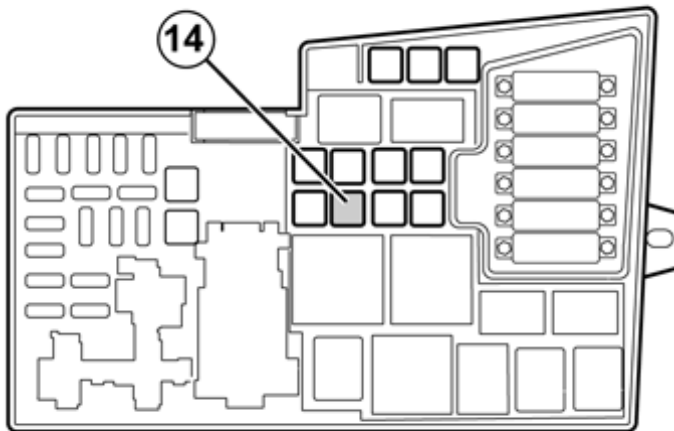


IMG-269603

Applies to cars from chassis number 40000-

Pull up the catch on the cover on the fuse box in the engine compartment. Pull up the cover and remove it.

47



IMG-269623

Install a 40A fuse in position 14.

Note!

This fuse included in the TRM kit must NOT be used.

Reinstall the cover.

48

Applies to all models

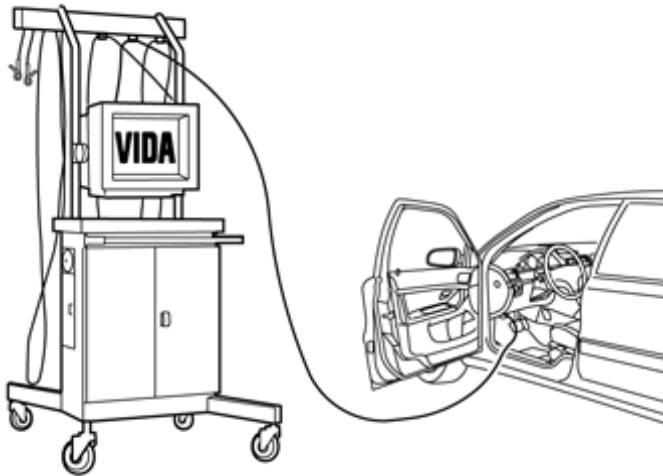
Reinstall the detached components in reverse order.



Installation instructions, accessories

Volvo Car Corporation Gothenburg, Sweden

49



IMG-242268

Download the software (application) for the accessory's function following the service information in VIDA.

See VIDA or the accessories catalogue for software part number.