



217 | Oil pan 5CYL, B5244S7

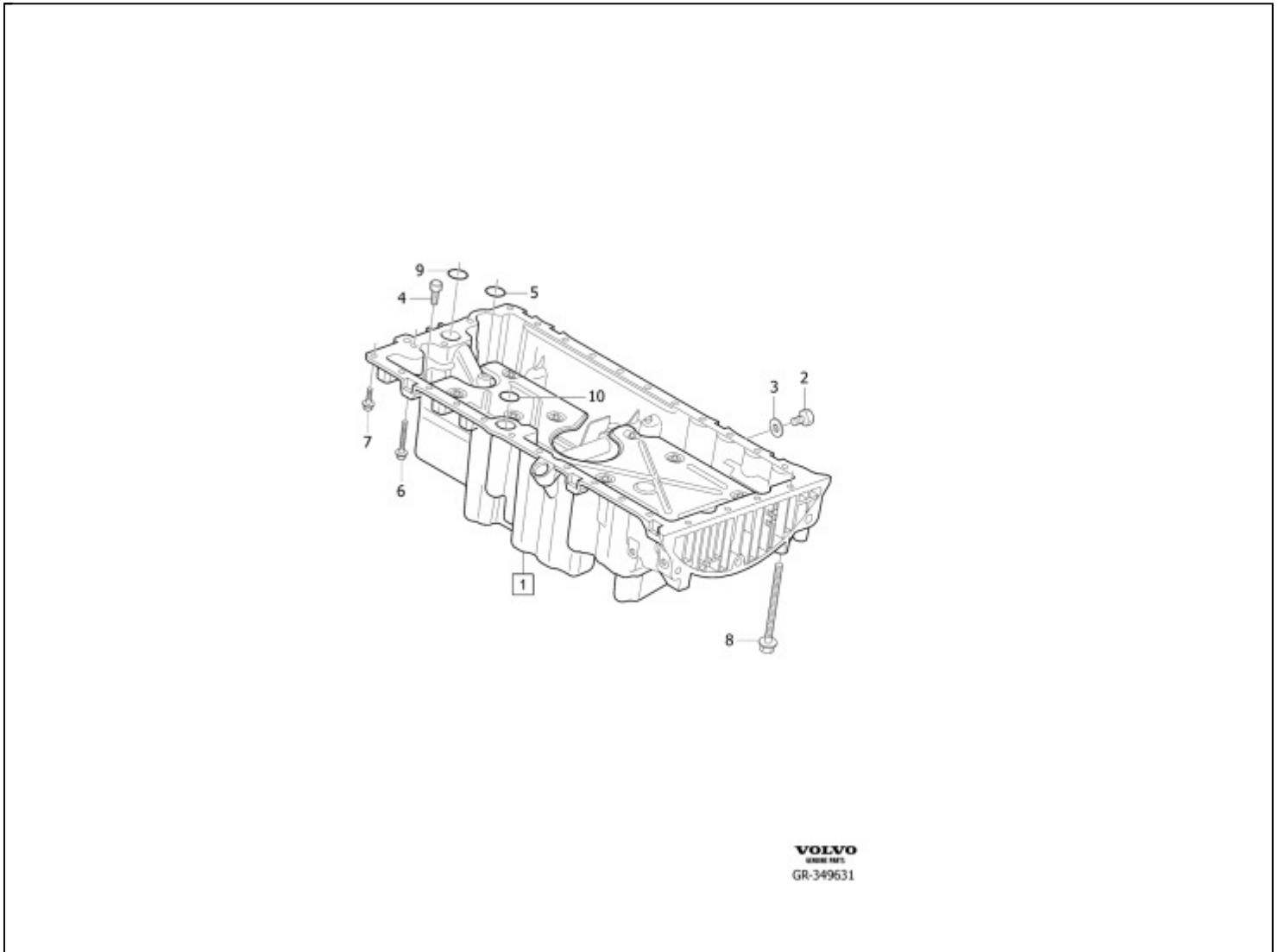


Fig.	Part No.	Description	Qty.	PS
1	3077739	Oil sump, without oil lever sensor	1	
	30777234	Oil sump, with oil lever sensor	1	
2	986833	Plug	1	
3	977751	Gasket	1	
4	463963	Valve	1	
5	8642559	Sealing ring	1	
6	985322	Flange screw M7x40	3	
7	985133	Flange screw M7x20	22	



8	985324	Flange screw M7x100	4	
9	8642560	Sealing ring	1	
10	8642965	O-ring	1	