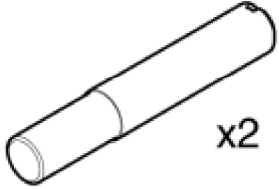





Oil pan

Special tools	
	<p>999 7273 Guide pin Tool number: 999 7273 Tool description: Guide pin Tool boards: 21</p>
	<p>951 2767 Roller (Applying liquid gasket) B234,5234,6304 Tool number: 951 2767 Tool description: Roller (Applying liquid gasket) B234,5234,6304 Tool boards: 08</p>

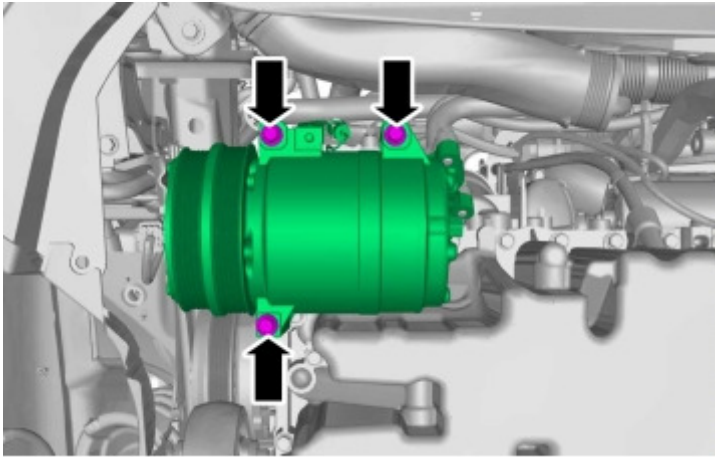
Materials	
Designation	Part number
Cleaning agent	1161721
Chemical gasket	1161059

Removal

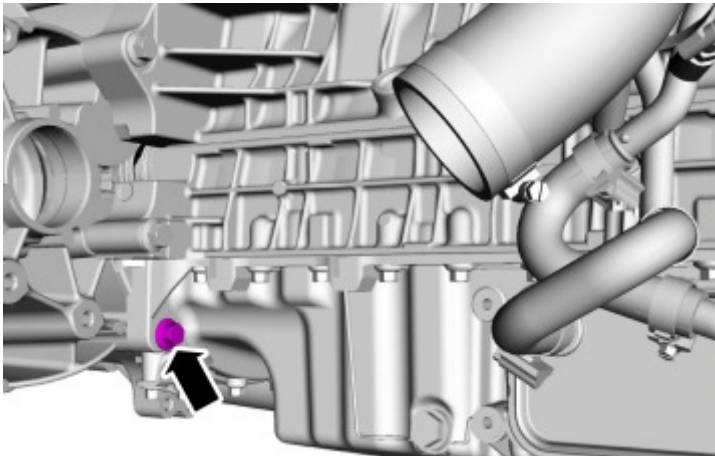
Note!

Removal steps in this procedure may contain installation details.

Remove the auxiliaries belt Refer to: [Accessory Drive Belt](#).

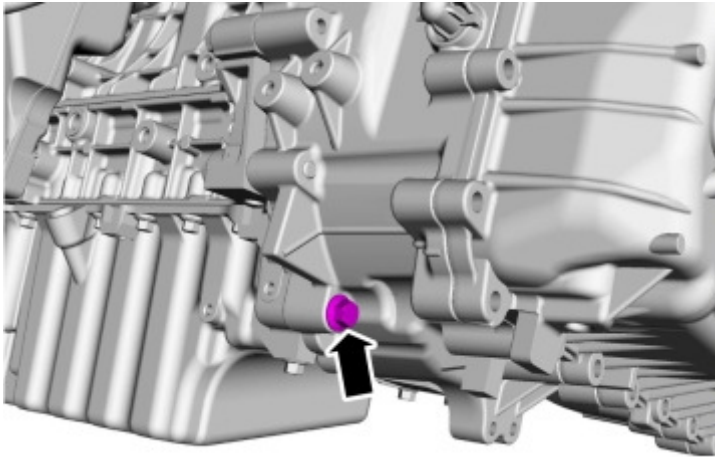


Torque:M8, 24 Nm

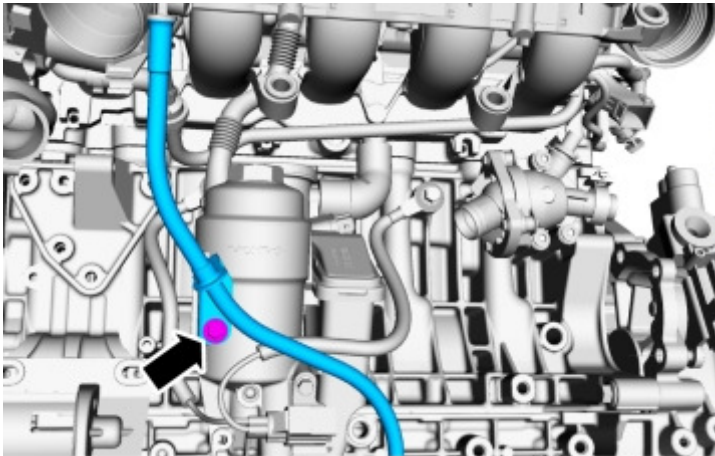


Torque:M10, 50 Nm

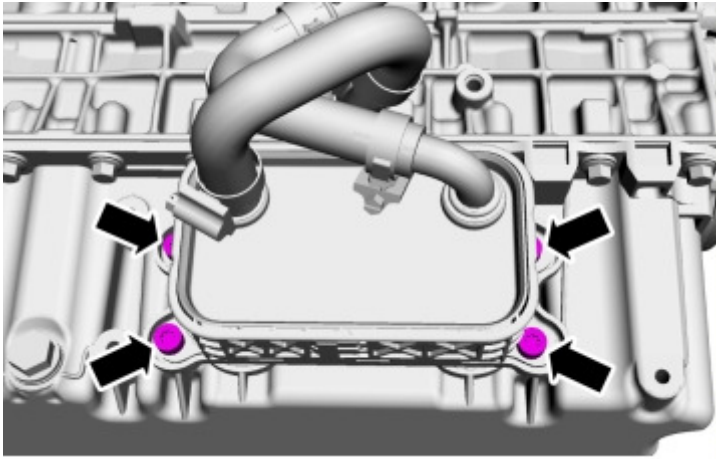
Installation



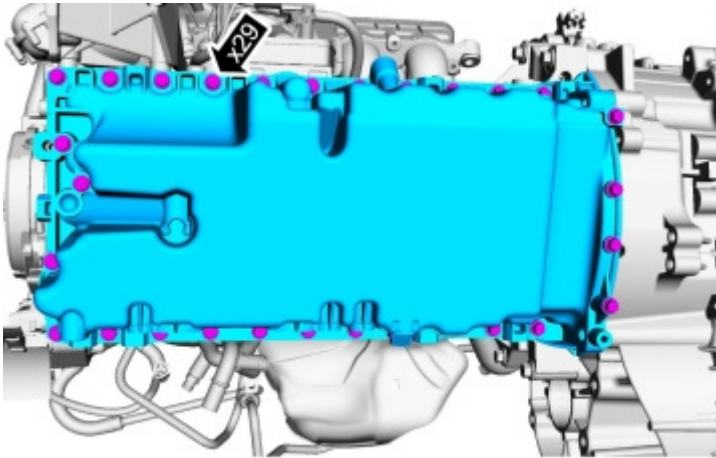
Torque:M10, 50 Nm

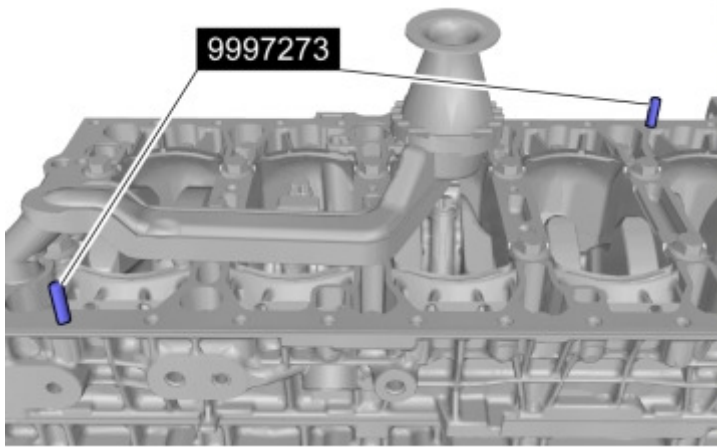


Torque:M6, 10 Nm

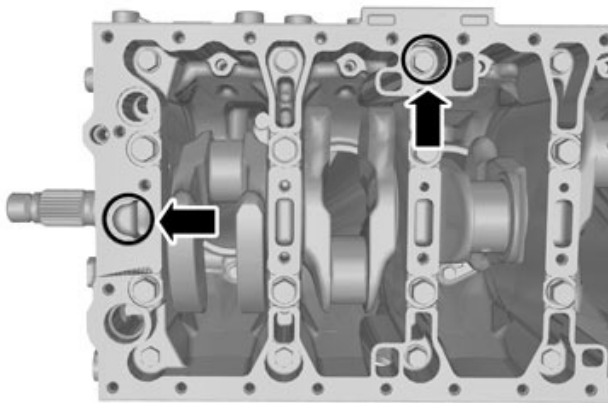


Torque:M7, 17 Nm



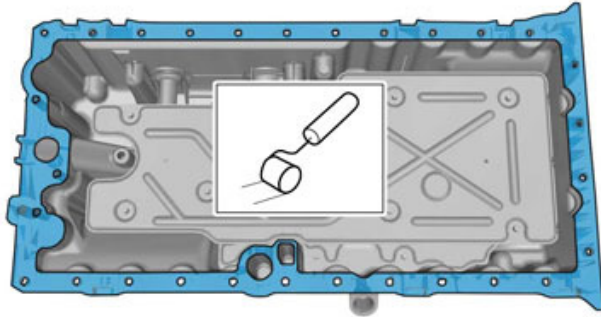


Special Tool: [999 7273](#)



Caution!

Make sure that the gaskets are correctly located.



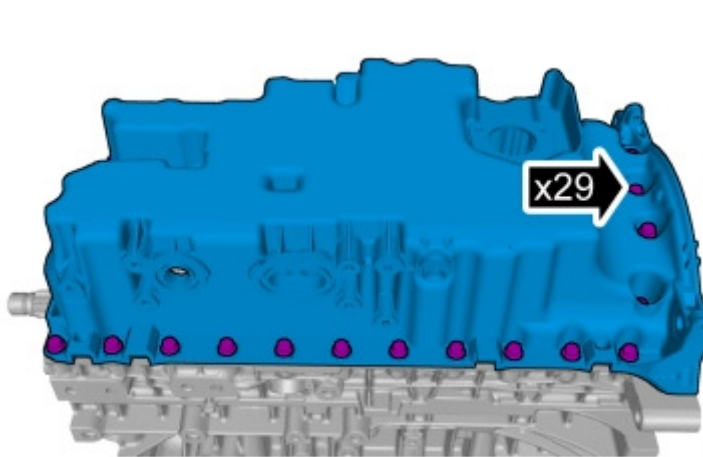
Caution!

Make sure that the mating faces are clean and free of foreign material.

Use: Cleaning agent, 1161721

Special Tool: [951 2767](#)

Use: Chemical gasket, 1161059



Torque:M7, 17 Nm

To install, reverse the removal procedure.
