



Operation number: 64503-2

## Power steering pump

Special tools	
	<b>951 2859 FLUID DRAINER</b> Tool number: 951 2859 Tool description: FLUID DRAINER Tool boards: US99

## Removal

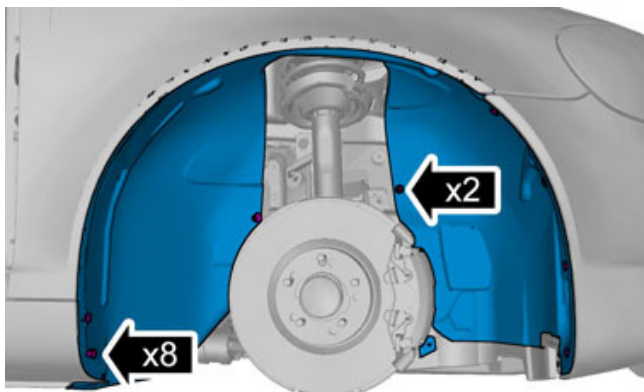
### Note!

Removal steps in this procedure may contain installation details.

---

Remove right front wheel Refer to: [Wheels](#).

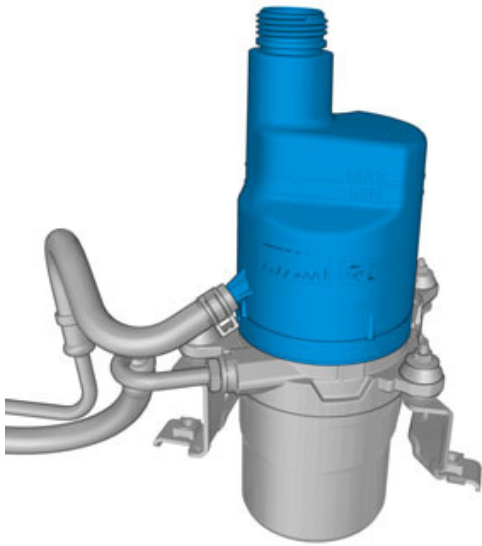
---





Remove right headlight Refer to: [Headlamps](#).

---



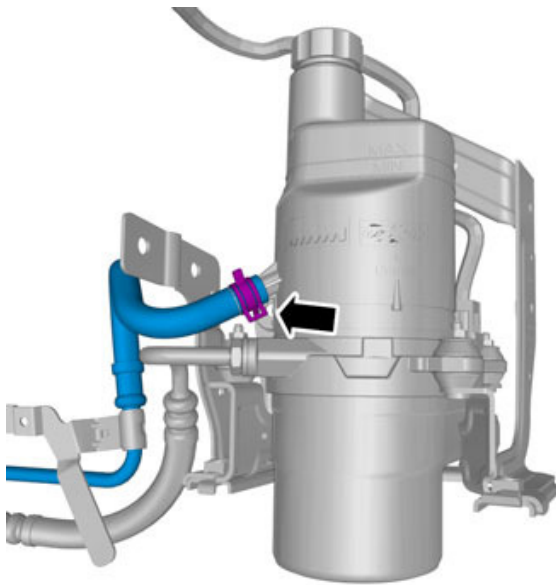
**Note!**

**Ensure that the component has been drained of fluid.**

Special Tool: [951 2859](#)

---

## Installation



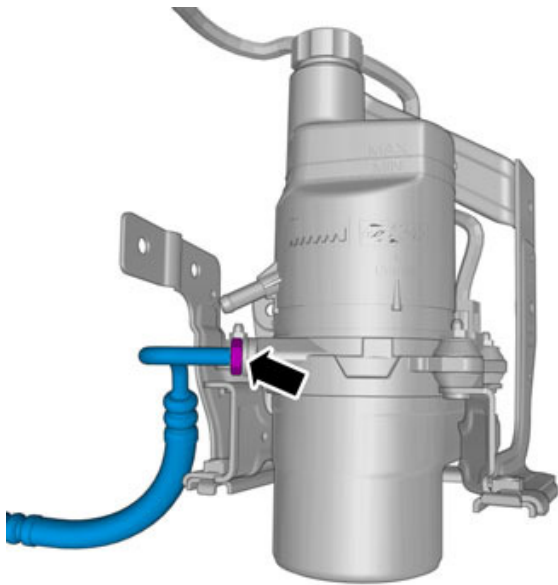
**Warning!**

Be prepared to collect escaping fluid.

**Caution!**

Make sure that all openings are sealed.

---



**Warning!**

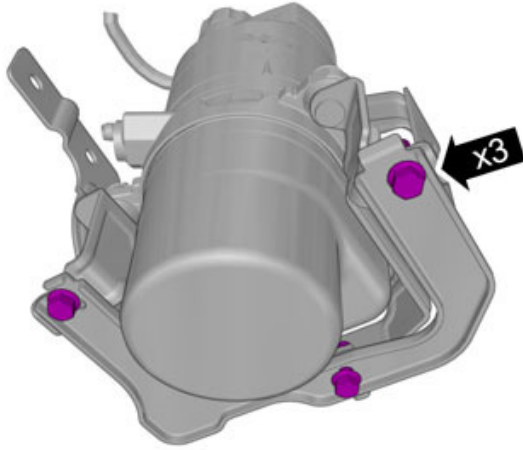
Be prepared to collect escaping fluid.

**Caution!**

Make sure that all openings are sealed.

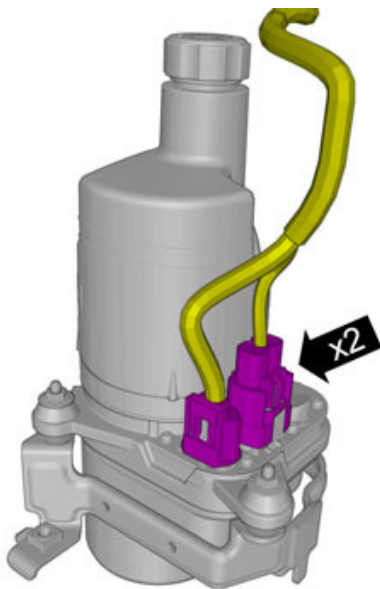
**Torque:**Pressure line to power steering pump, 30 Nm

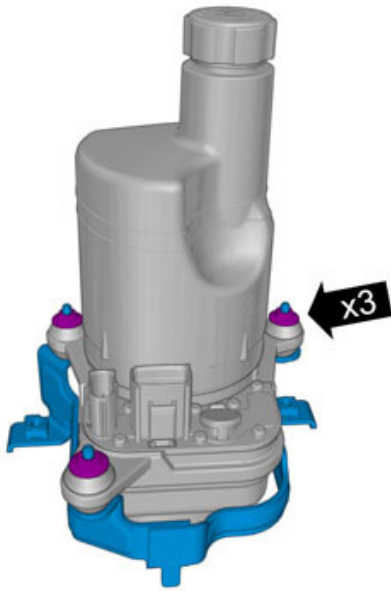
---



**Torque:**M8, 24 Nm

---





**Torque:**M6, 10 Nm

---

To install, reverse the removal procedure.

---

Order and download software according to: [30667183](#)

---

Perform oil level power steering, check Refer to: [Oil level, power steering, checking.](#)

---