

S40 (04-), 2011, B5254T7, AW55-50/51SN, L.H.D



28/9/2022

PRINT

Operation number: 21552-2
Timing belt

Special tools	
	<p>999 5433 COUNTERHOLD (VIBRATION DAMPENER) B6304 B5254 Tool number:999 5433 Tool description:COUNTERHOLD (VIBRATION DAMPENER) B6304 B5254 Tool boards:21</p>

Removal

Note! Removal steps in this procedure may contain installation details.

Remove the following items:

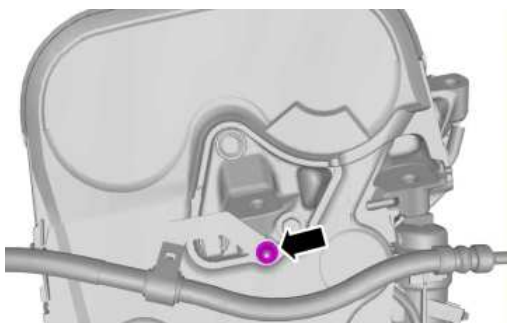
- the auxiliaries belt

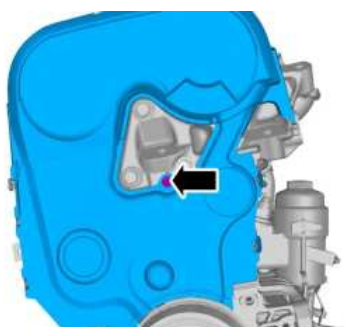
Refer to:
Accessory Drive Belt

- Engine support insulator, right

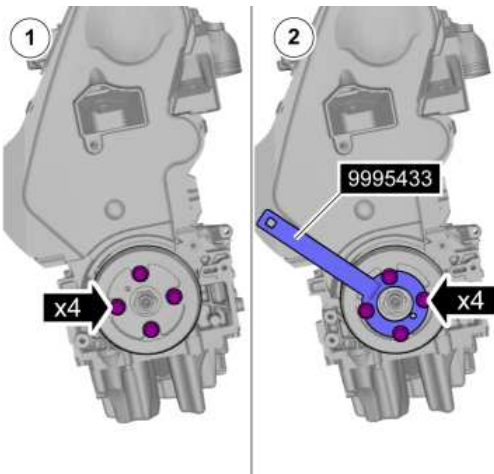
Refer to:
Engine Pad right

Torque: M6, 10 Nm





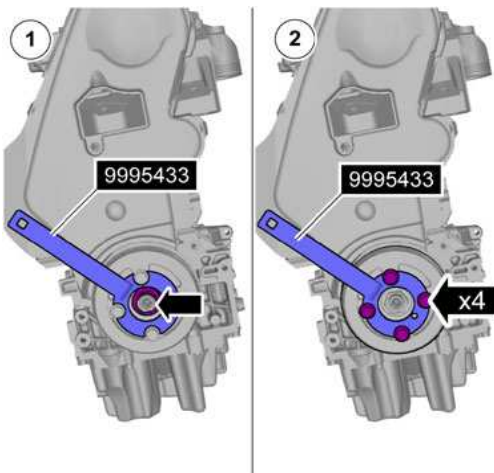
Torque: M6, 10 Nm



Special Tool: 999 5433

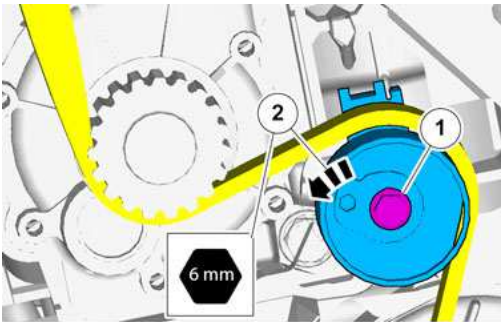
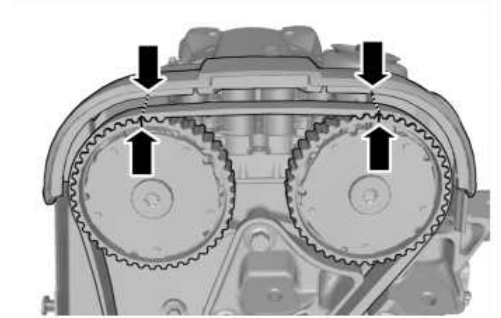
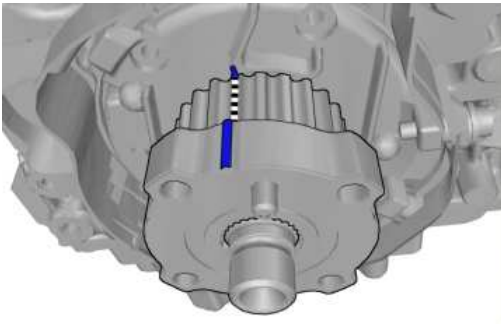
Torque: Oscillation damper (screw) to crankshaft

- Stage 1: 25 Nm
- Stage 2: 60 °

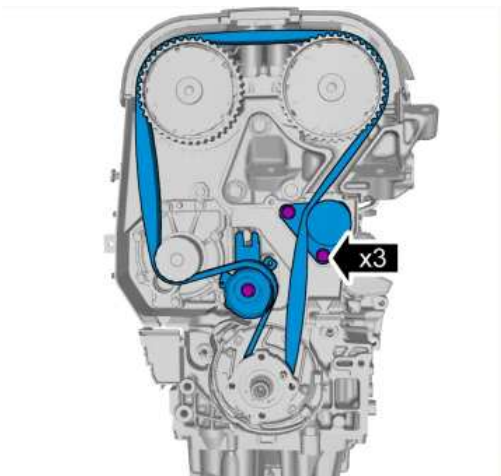


Torque: Center nut vibration damper (crankshaft), 180 Nm





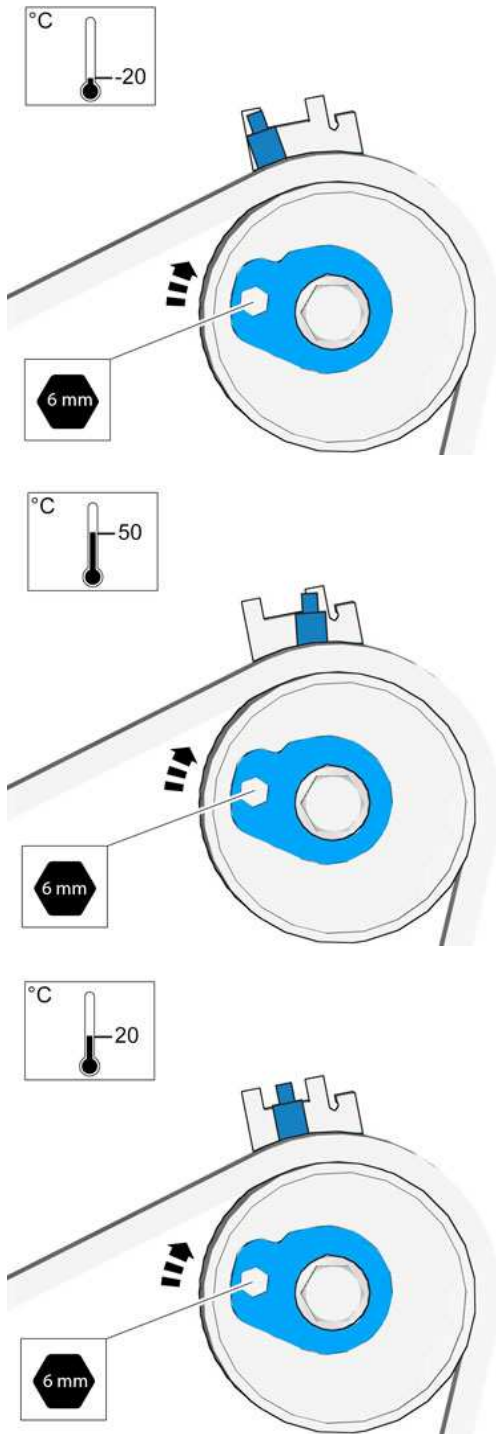
1. **Note! Do not loosen the bolt more than 4 turns.**
2. **Torque:** M8, 24 Nm
3. **Use:** Allen key



Torque: M8, 24 Nm

Installation

Use: Allen key



To install, reverse the removal procedure.

 **PRINT**

28/9/2022