

211: Cylinder head, B5254T7

S40 (04-), 2011, B5254T7, AW55-50/51SN, L.H.D

27/9/2022




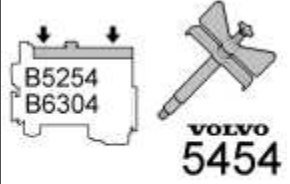
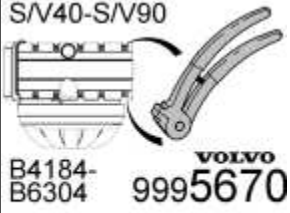

PRINT

211: Cylinder head, B5254T7

Operation number:

21110-0

Cylinder head

Special tools	
	999 7107 Support Tool number: 999 7107 Tool description: Support Tool boards: 21
	999 5454 PRESS TOOL (2) (CYLINDER HEAD) B6304/B5254 Tool number: 999 5454 Tool description: PRESS TOOL (2) (CYLINDER HEAD) B6304/B5254 Tool boards: 21
	999 5670 Pliers (removing valve/camshaft cover) B4184-B6304 Tool number: 999 5670 Tool description: Pliers (removing valve/camshaft cover) B4184-B6304 Tool boards: 21
	951 2050 BEVEL PROTRACTOR Tool number: 951 2050 Tool description: BEVEL PROTRACTOR Tool boards: 08
	951 2767 Roller (Applying liquid gasket) B234,5234,6304 Tool number: 951 2767 Tool description: Roller (Applying liquid gasket) B234,5234,6304 Tool boards: 08

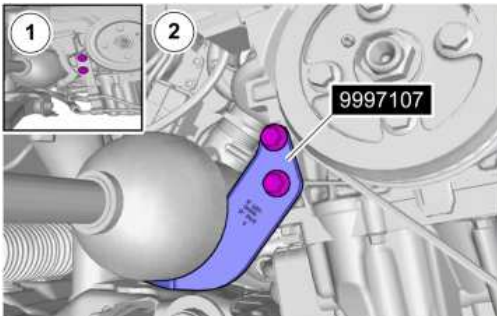


Materials	
Designation	Part number
Gasket solution	1161847
Engine oil	
Chemical gasket	1161059

Removal

Drain cooling system, draining, filling, and bleeding

Refer to: Cooling system - draining, charging and bleeding



Special Tool: 999 7107

Remove the following items:

- air cleaner (ACL) housing
Refer to: Air cleaner housing
- VVT unit
Refer to: VVT unit
- fuel injector
Refer to: Fuel injector
- VVT solenoid

Refer to: VVT solenoid

- spark plugs

Refer to: Spark plugs

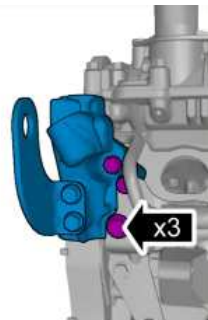
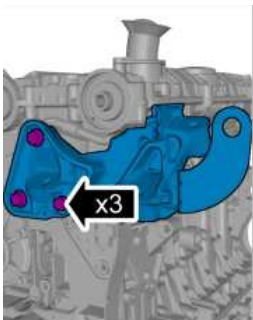
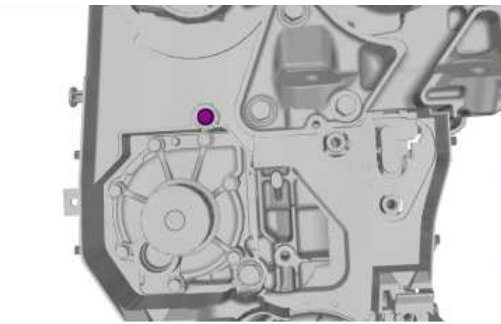
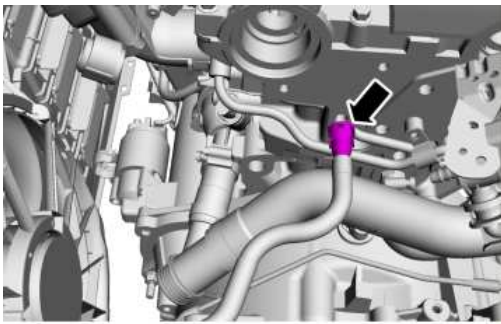
Detach the following items:

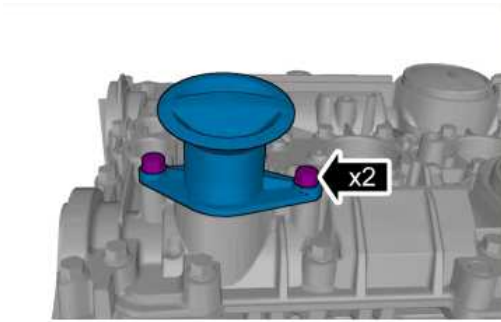
- the intake manifold

Refer to: Induction pipe

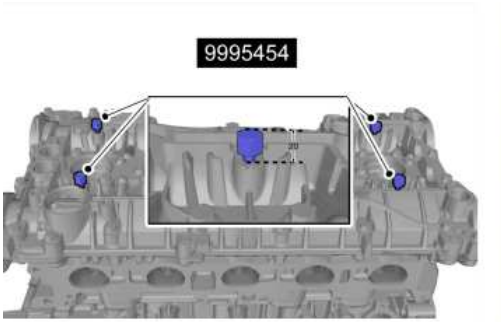
- exhaust manifold

Refer to: Exhaust manifold

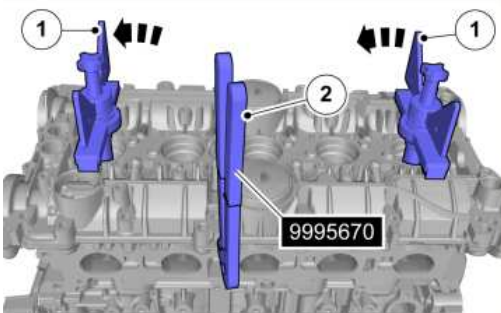
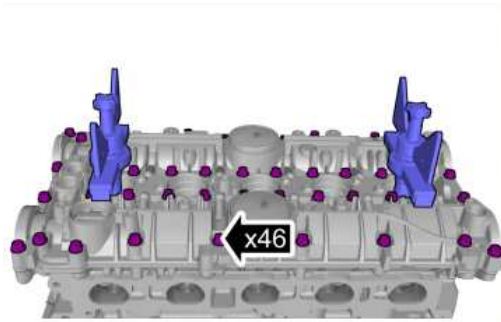
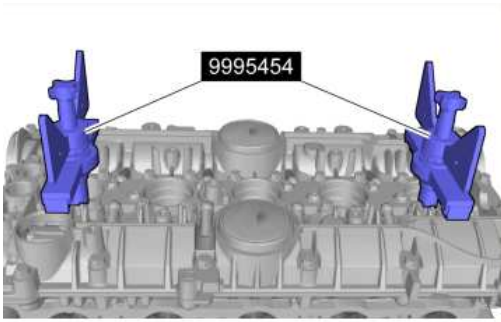




Special Tool: 999 5454



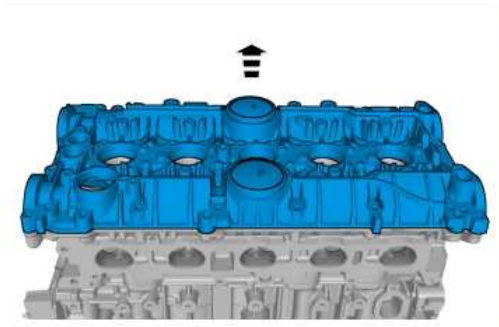
Special Tool: 999 5454



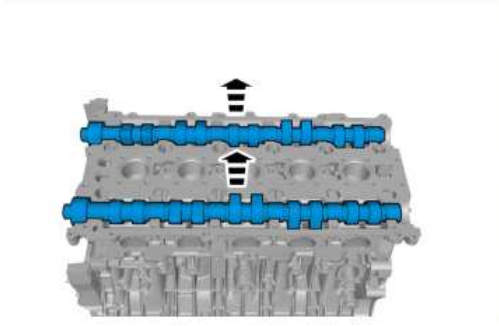
Caution! Take extra care when handling the component.

Special Tool: 999 5670

Caution! Take extra care when handling the component.

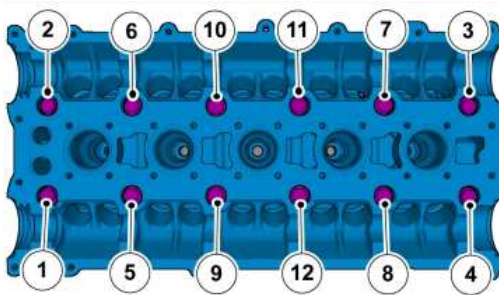
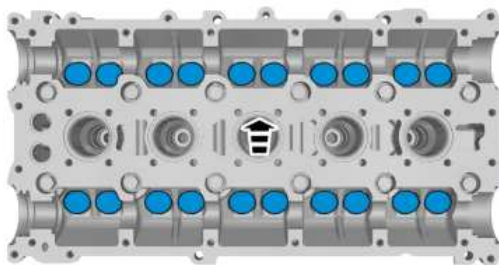


Note! Note the position of each component before removal.



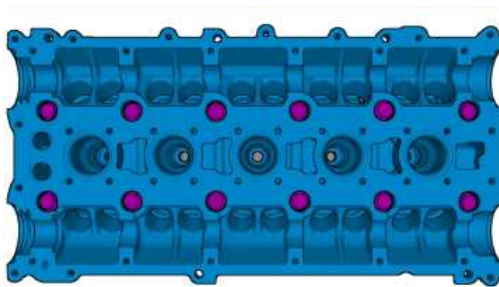
Note! Note the position of each component before removal.

Use: Magnet



Caution! Take extra care not to damage the mating faces.

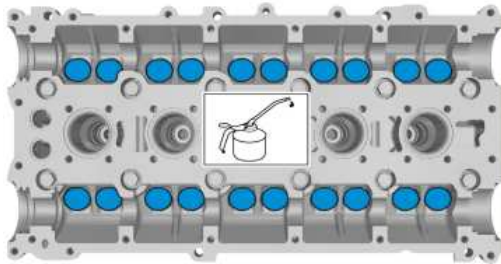
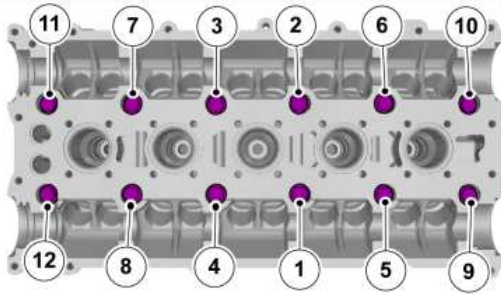
Installation



Caution! Take extra care when handling the component.

Caution! Make sure that the mating faces are clean and free of foreign material.

Caution! Make sure that no fluids are present in the cylinder head bolt threaded bores.



Use: Emery paper, 9511024

Special Tool: 951 2050

Torque: Cylinder head

- Stage 1: 20 Nm
- Stage 2: 60 Nm
- Stage 3: 130 °

Caution! Only use the specified lubricant.

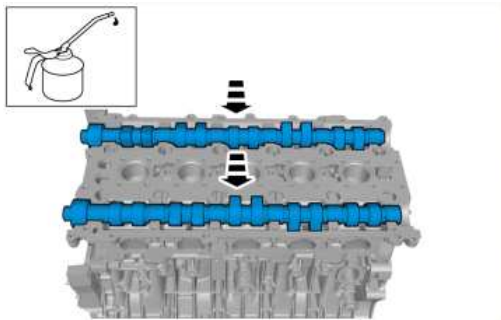
Note! Make sure that these components are installed to the noted removal position.

Use: Engine oil,

Note! This step is only necessary if adjustment is required

Perform valve clearance

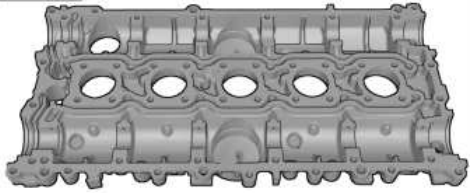
Refer to: Valve clearance



Caution! Only use the specified lubricant.

Note! Make sure that these components are installed to the noted removal position.

Use: Engine oil,

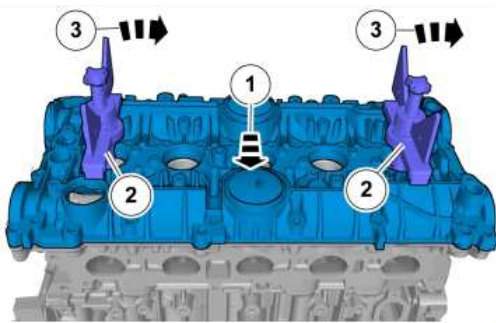


Note! Make sure that the mating faces are clean and free of foreign material.

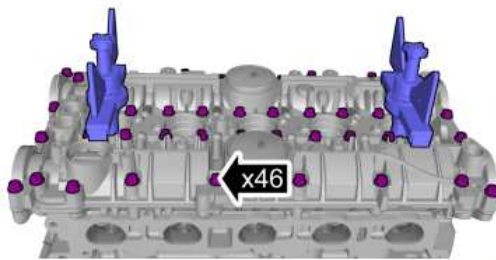
Use: Emery paper, 9511024

Special Tool: 951 2767

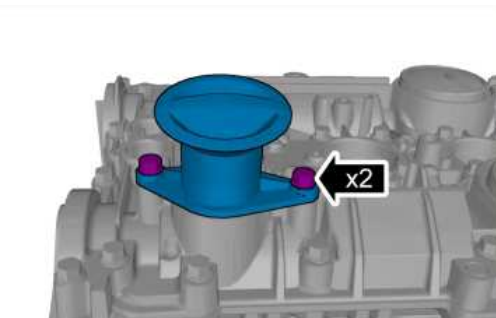
Use: Chemical gasket, 1161059



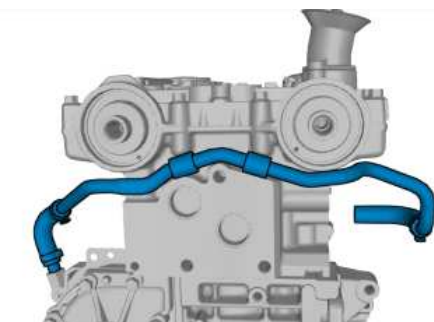
Caution! Take extra care when handling the component.



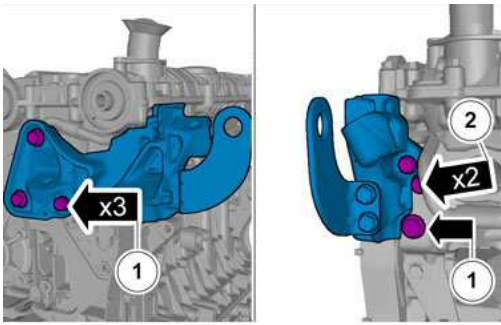
Torque: M7, 17 Nm



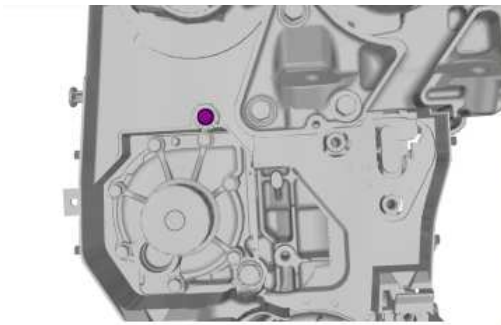
Torque: M6, 10 Nm



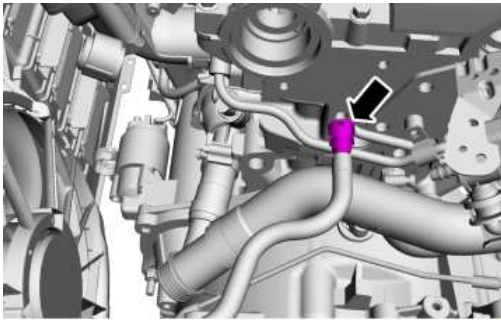
1. **Torque:** M10, 50 Nm



2. **Torque:** M8, 24 Nm



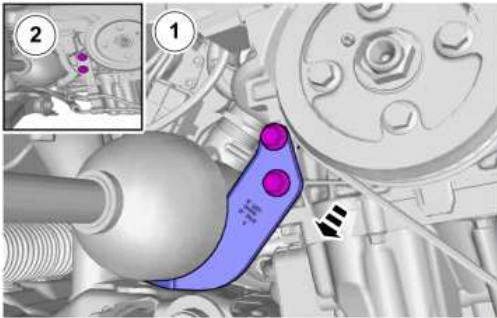
Torque: M6, 10 Nm



Install the following items:

- VVT unit
Refer to: VVT unit
- exhaust manifold
Refer to: Exhaust manifold
- air cleaner (ACL) housing
Refer to: Air cleaner housing
- fuel injector
Refer to: Fuel injector

- spark plugs
Refer to: Spark plugs
- the intake manifold
Refer to: Induction pipe
- VVT solenoid
Refer to: VVT solenoid



Torque: M10, 50 Nm

Fill cooling system,
draining, filling, and
bleeding

Refer to: Cooling
system - draining,
charging and bleeding

27/9/2022

 **PRINT**