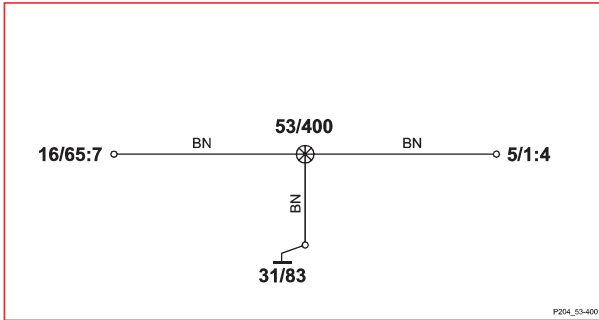


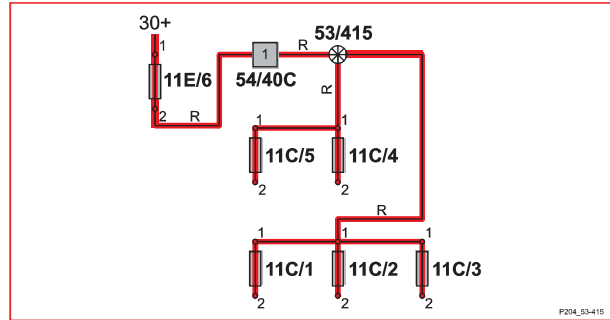
Branching points

53/400 - 53/431

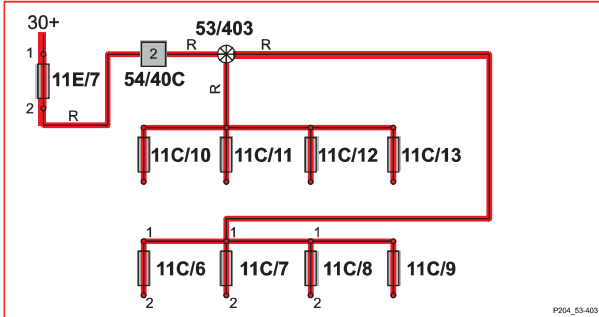
53/400



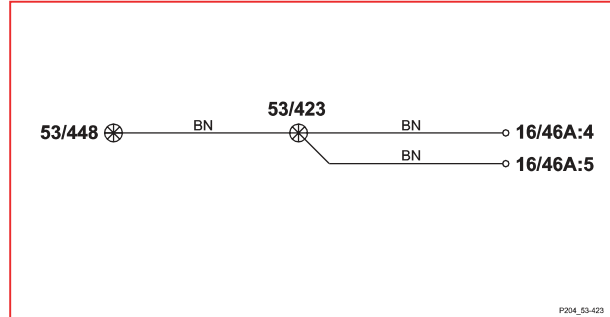
53/415



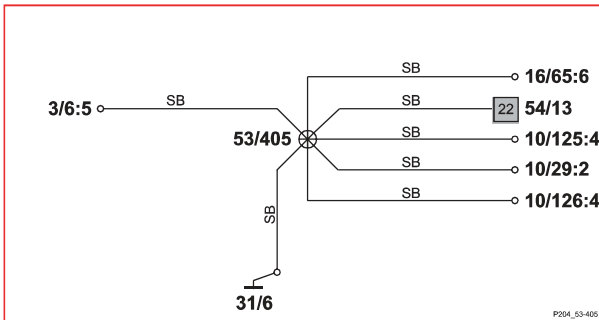
53/403



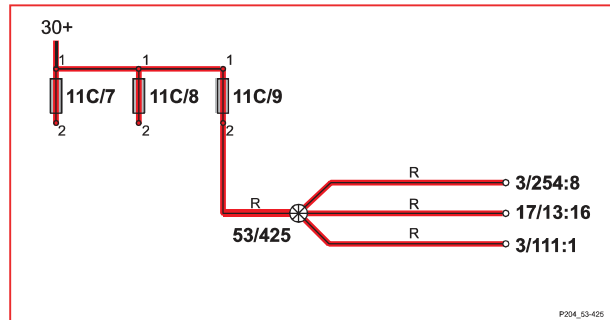
53/423 RTI



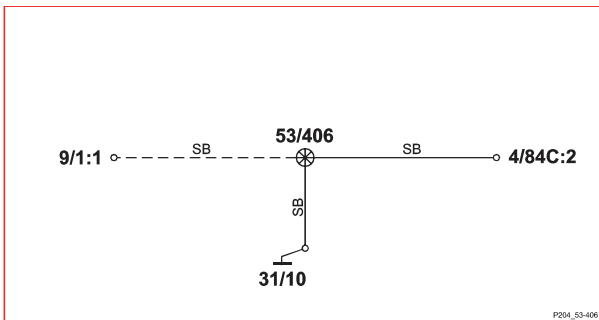
53/405



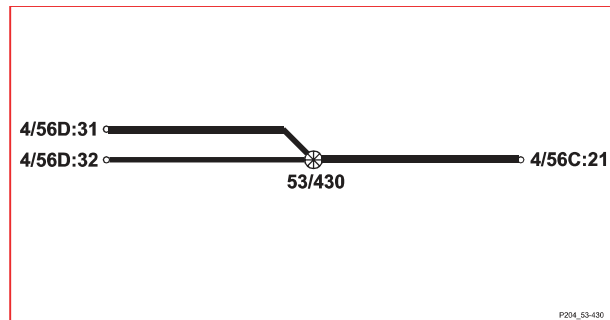
53/425



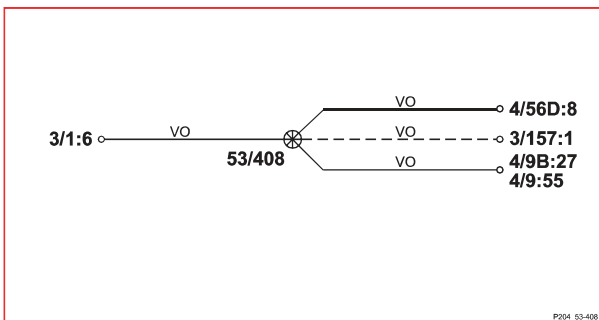
53/406 SUM



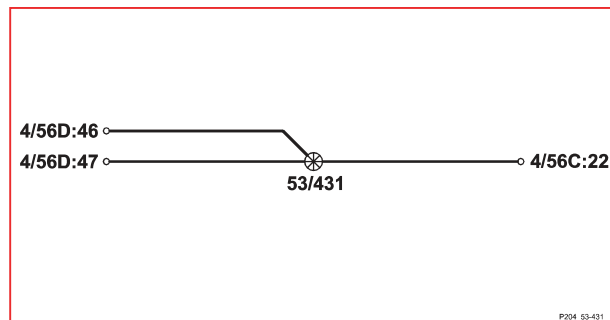
53/430



53/408



53/431



Cable harness routing in vehicle Passenger compartment harness LHD

