



22 | Lubricating system 5CYL TURBO -1998, B5234T3

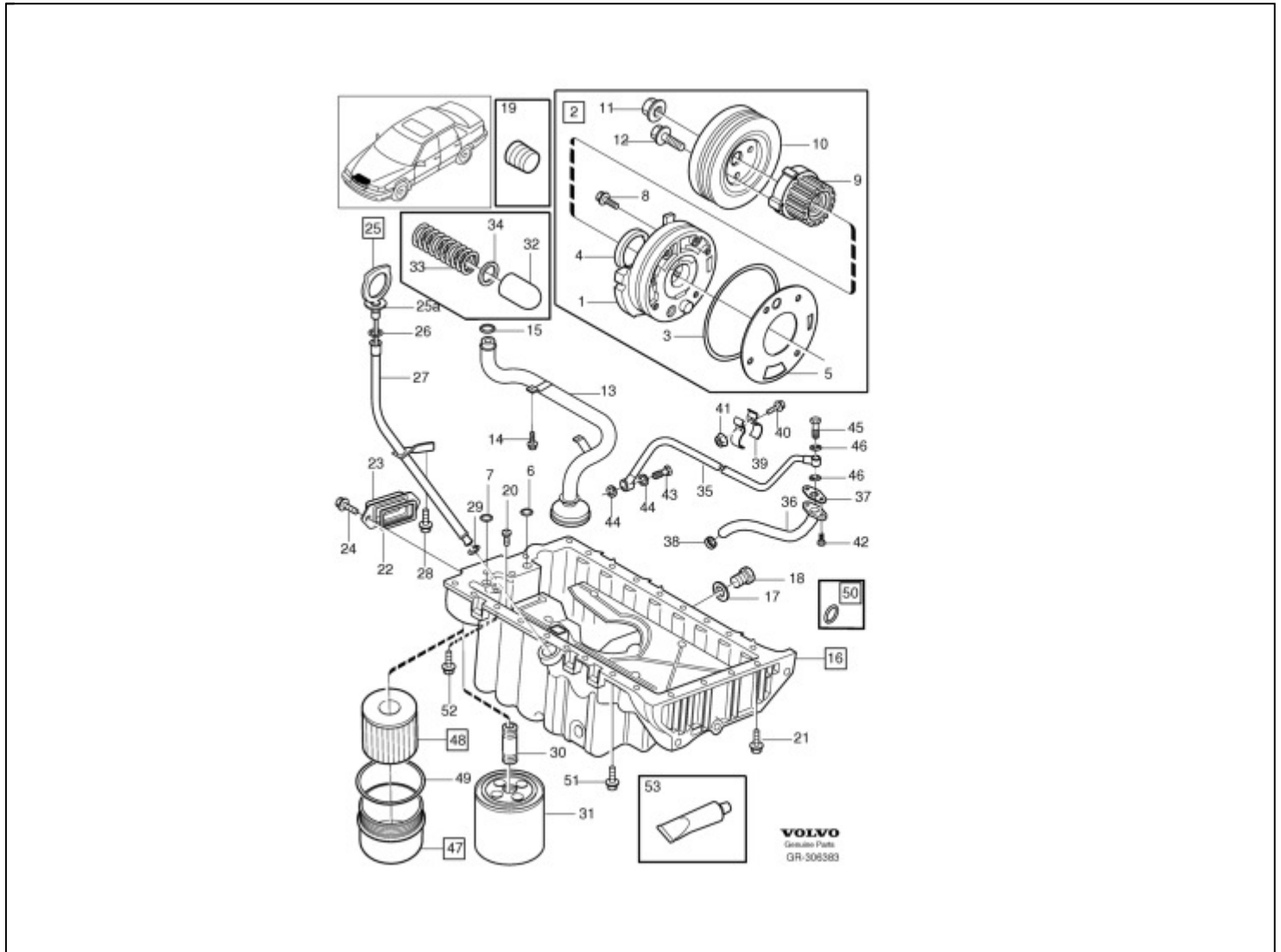


Fig.	Part No.	Description	Qty.	PS
1	9207950	Oil pump	1	
2	271439	Gasket kit ENG -1185999	1	
	274260	Gasket kit ENG 1186000-	1	
3	981204	O-ring	1	
4	6842273	Sealing ring	1	
5	1275404	Gasket	1	
6	8642560	Sealing ring	1	
7	8642559	Sealing ring O.DIA 20.3 mm	1	



8	987348	Six point socket screw	4	
9		Pulley	1	
		4VALVE Crank mechanism 5CYL -1998 4VALVE TURBO	1	XX
10	1275801	Oscillation damper	1	
11	3531111	Nut	1	
12	985375	Flange screw	4	
13	1366447	Suction line	1	
14	982775	Flange screw	2	
15	30637867	O-ring	1	
16	1271604	Oil sump	1	
17	977751	Gasket	1	
18	986833	Plug	1	
19	986811	Plug	1	
20	463963	Valve	1	
21	985324	Flange screw M7x100 When replacing flange screw use thread lock part number 1161056-5.	4	
22	1366791	Sealing ring	1	
23	1366780	Cap	1	
24	985133	Flange screw	2	
25	9454823	Dipstick REPL 1PCS 9497550-5, 1PCS 9497557-0.	1	SP
	9497557	Dipstick	1	
25a	1275178	Sign	1	
26	955973	O-ring	2	
27	3528061	Pipe REPL 1 PCS 9458487-7,, 1PCS 9454823-7.	1	SP
	9458487	Pipe REPL 1PCS 9497550-5, 1PCS 9497557-0.	1	SP
	9497550	Pipe	1	
28	982793	Flange screw	1	
29	30637865	Sealing ring	1	
30	1366855	Nipple -1999	1	
31	3517857	Oil filter -1999	1	



32	1271903	Piston	1	
33	9146132	Spring	1	
34	973876	Snap ring	1	
35	1275205	Oil line ENG -1240631	1	
	9186281	Oil line ENG 1240632-	1	
36	1275207	Oil line ENG -1240631	1	
	9458504	Oil line ENG 1240632-	1	
37	3514546	Gasket	1	SP
38	30637866	Sealing ring	1	SP
39	3517733	Clamp	2	
40	982755	Flange screw	1	
41	985919	Flange nut	1	
42	986871	Hex. socket screw	2	
43	968179	Hollow screw	1	
44	18671	Gasket	2	
45	973950	Hollow screw	1	
46	11994	Gasket	2	
47	1275808	Cap 2000-,ENG -2464408	1	
	1275808	Cap ENG 2464409-	1	
48	1275810	Oil filter insert 2000-,ENG -2464408	1	
	1275810	Oil filter insert ENG 2464409-	1	
49		O-ring 2000-	1	NS
50	8648358	O-ring kit SEE FIG. 6, 7, 15, 29, 37,38.	1	SP
51	985133	Flange screw M7x20	22	
52	985322	Flange screw M7x40	3	
53	1161059	Chemical gasket (EU), (CN)	1	