



37 | Central electrical unit fusebox engine compartment 960 1996-. S90, V90

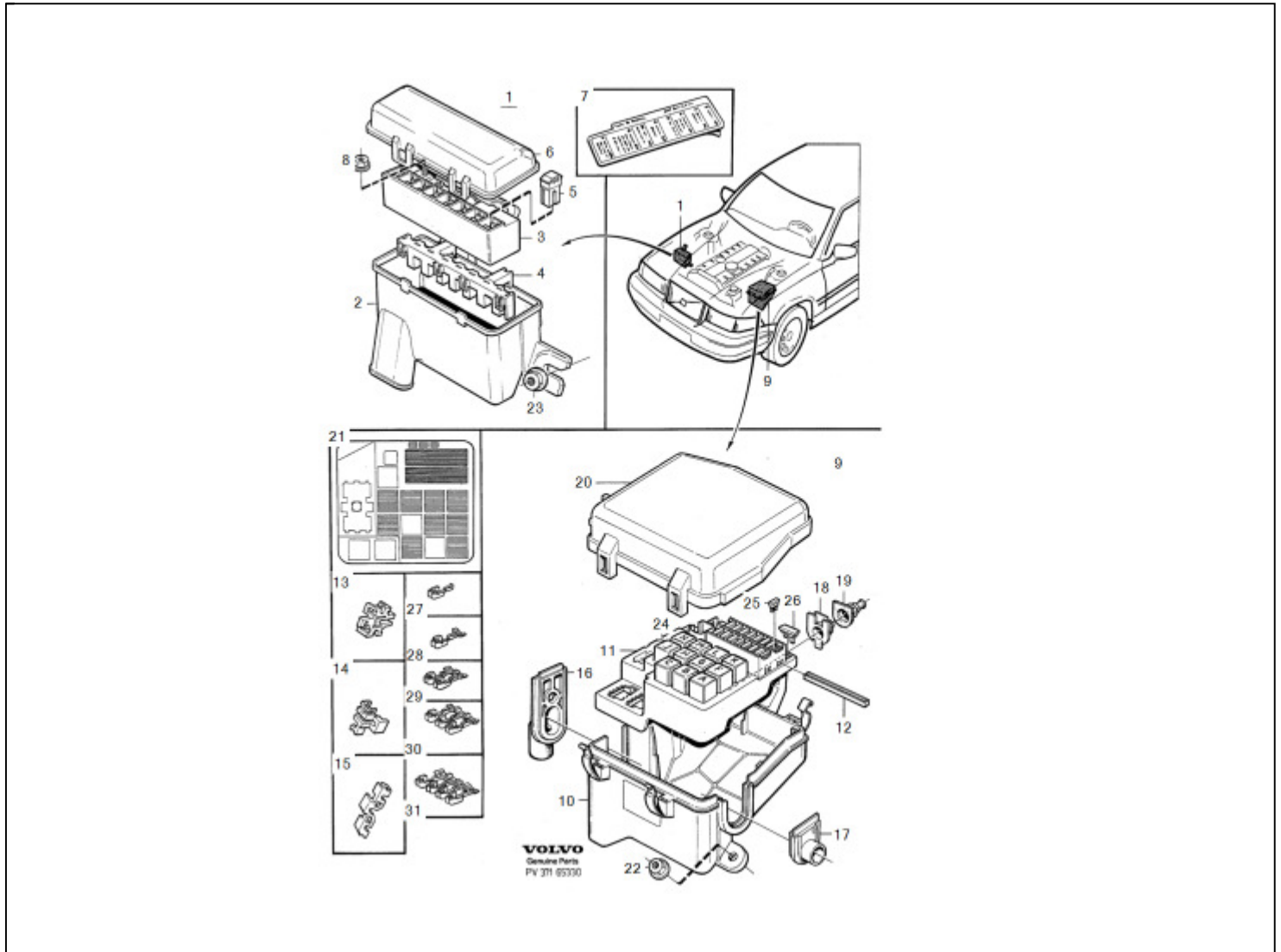


Fig.	Part No.	Description	Qty.	PS
1		Main fuse box Included in complete engine compartment cable harness.	1	NS
2	9128232	Housing	1	OP
3	9162084	Fuse holder	1	
4	9128547	Retaining clip	1	
5	979009	Fuse 50A	8	
6	9128234	Cap	1	
7	9162087	Decal	1	OP
8	9148467	Nut	1	



9		Electrical distribut.unit Included in complete engine compartment cable harness.	1	NS
10	9128590	Housing	1	OP
11	9148004	Relay panel	1	
12	9128427	Retaining clip	2	OP
13	9128428	Retaining clip 4-POLE	1	
14	9128236	Retaining clip 5-POLE	1	
15	9145334	Retaining clip	1	OP
16	9128237	Grommet	1	OP
17	9128223	Grommet	1	OP
18	9148005	Grommet	1	OP
19	9128550	Grommet	1	
20	9128222	Cover	1	OP
21	9162146	Decal	1	
22	985919	Flange nut	3	
	986499	Washer	3	
23	3512780	Plastic nut	2	SP
24	9494448	Relay, air pump	1	
		"A"	1	XX
	9494448	Relay, fuel system	1	
		"C"	1	XX
	9130269	Relay, heating and ventilation	1	
		"F"	1	XX
	9130269	Relay, ignition system	1	
		"J"	1	XX
	9130269	Relay, starter motor	1	
		"K"	1	XX
	9148880	Light relay, fog lights	1	
		"L"	1	XX
	9130269	Relay, parking light	1	



		"M"	1	XX
	9130269	Relay, horn	1	
		"N"	1	XX
25	967851	Fuse 5A	1	
	967545	Fuse 10A	1	
	966329	Fuse 15A	1	
	968547	Fuse 20A	1	
	966330	Fuse 25A	1	
	966331	Fuse 30A	1	
26	9128690	Brace	1	OP
27	9128496	Rail 0.3-0.5 mm ²	1	OP
	9128497	Rail 0.85-2.0 mm ²	1	
	9128498	Rail 3-5 mm ²	1	OP
28	9128499	Rail 3-5 mm ²	1	
29	9128500	Rail 3-5 mm ²	1	
30	9128501	Rail 3-5 mm ²	1	
31	9128502	Rail 3-5 mm ²	1	OP