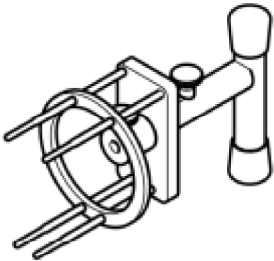


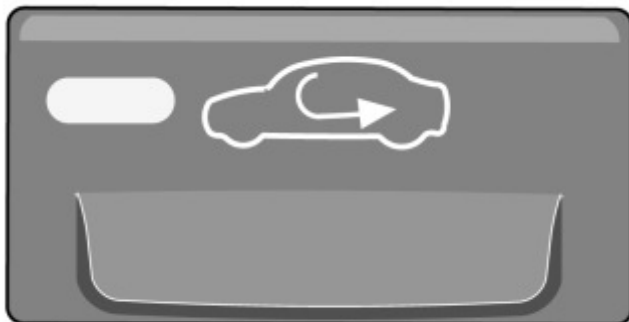


Operation number: 87306-2

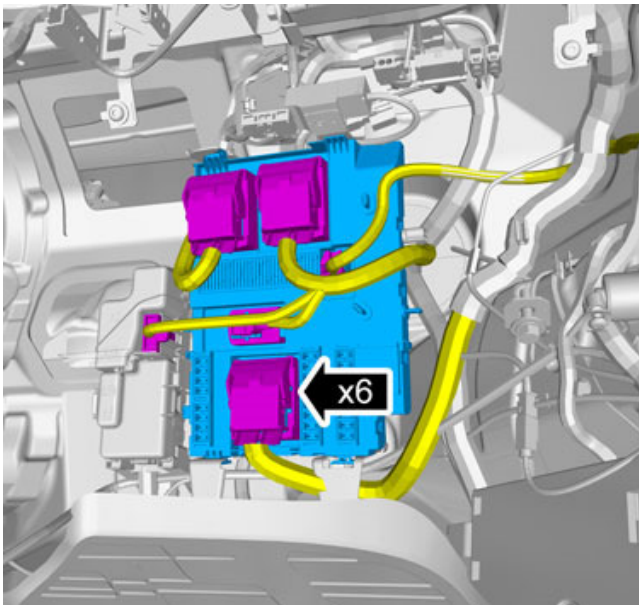
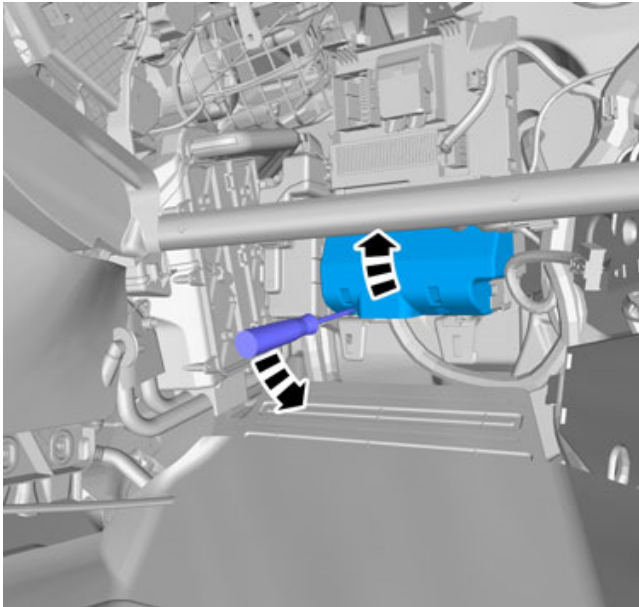
Blower motor passenger compartment

Special tools	
	999 7284 Installation tools Tool number: 999 7284 Tool description: Installation tools Tool boards: 87

Preparation



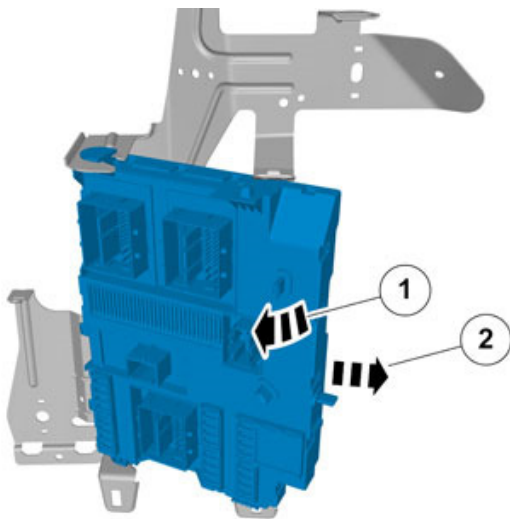
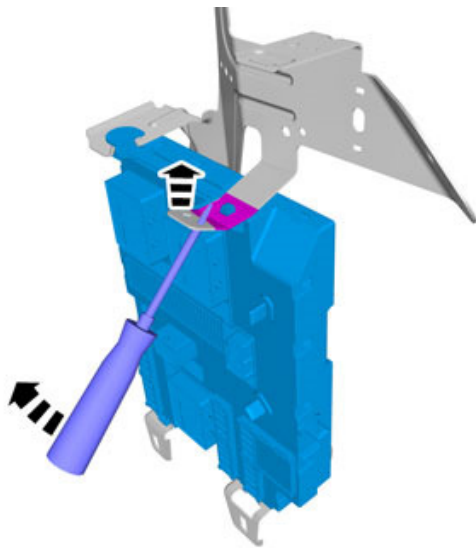
Remove the dashboard Refer to: [Dashboard](#).

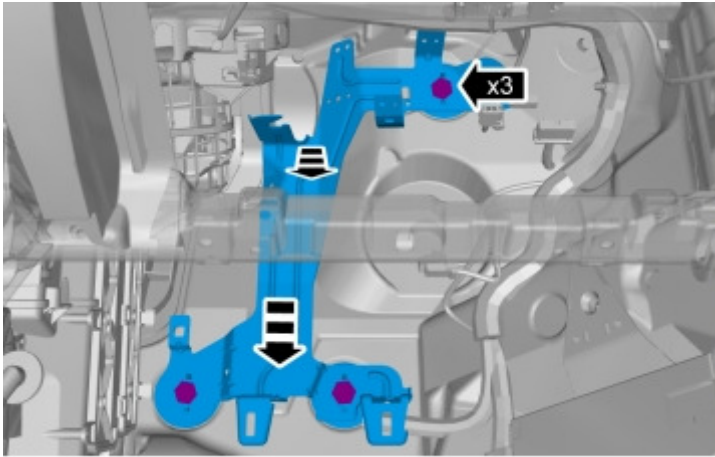


Note!

Make sure that the component terminals are not bent or damaged.

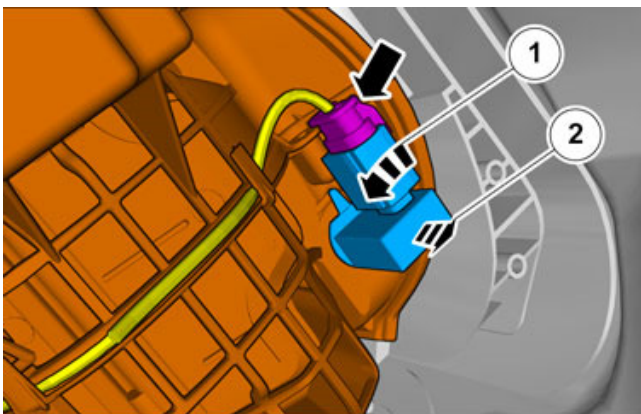
Removal





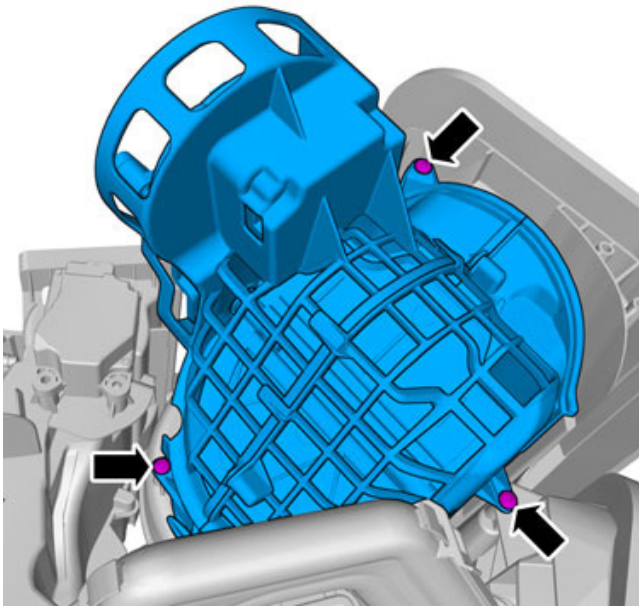
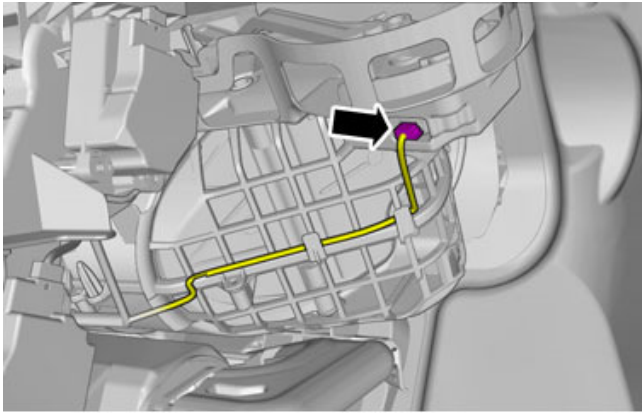
Torque:M8, 24 Nm

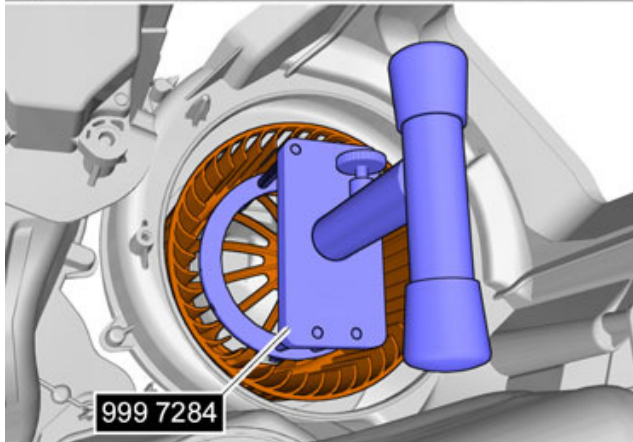
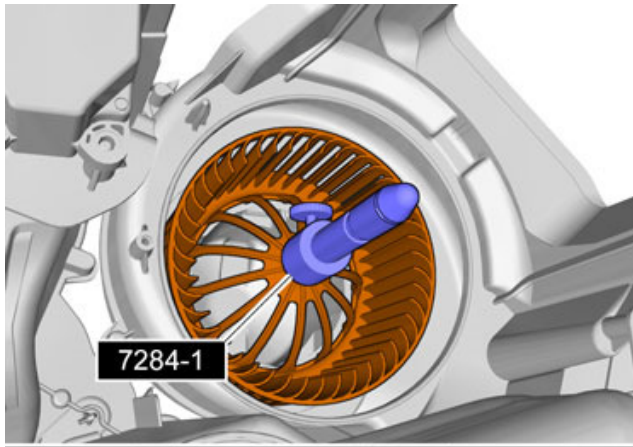
Vehicles with air quality sensor



All vehicles

Installation

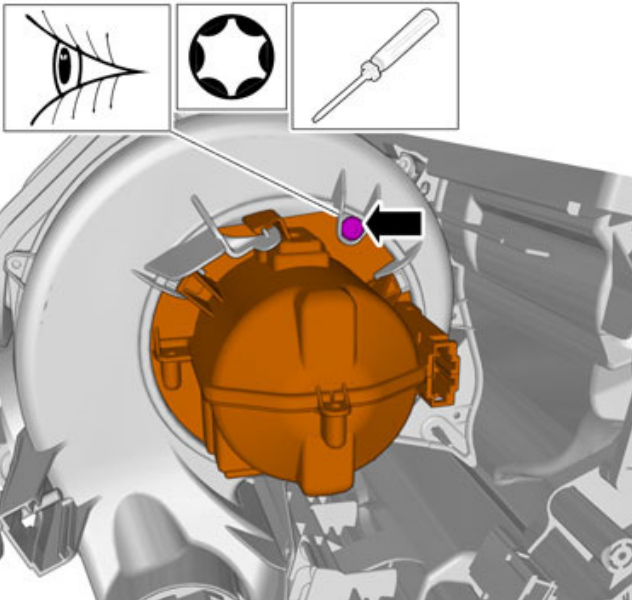
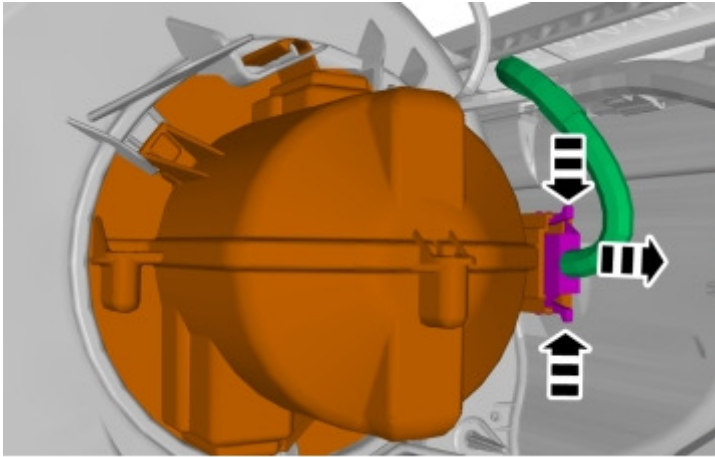


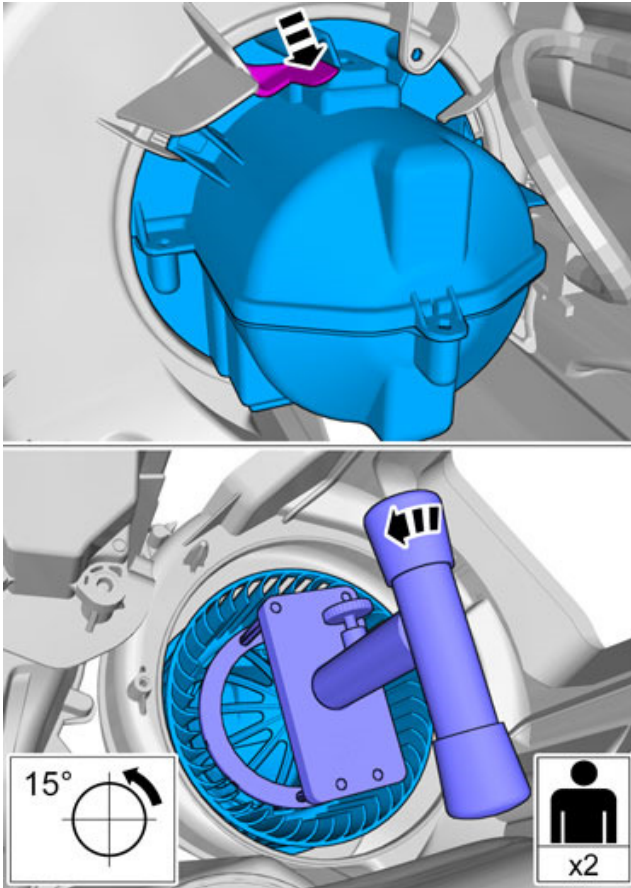


Caution!

Take extra care when handling the component.

Special Tool: [999 7284](#)



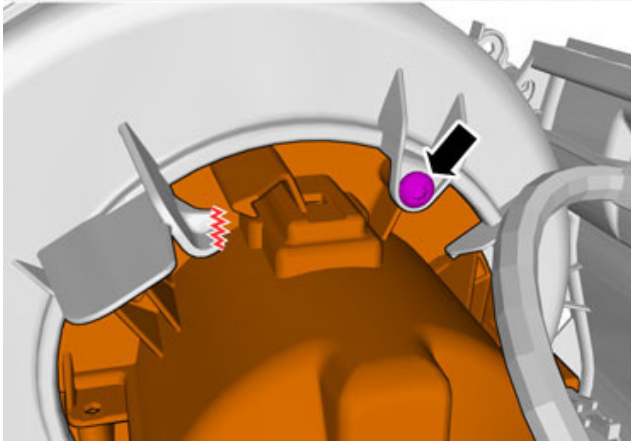
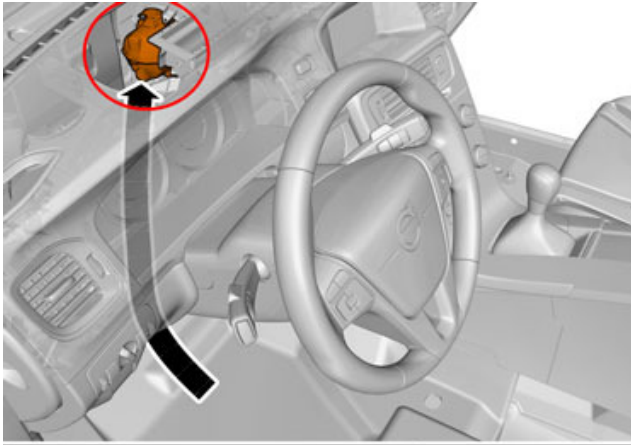


Caution!

Take extra care when handling the component.

Caution!

Make sure that the blower motor and fan assembly is placed on the bench with the fan pointing upwards.



Note!

Replace with a screw if necessary.

If necessary

To install, reverse the removal procedure.

Perform climate unit, checking Refer to: [Climate control system, check.](#)
