



Volvo Car Customer Service

Guide TJ VCC-485808-1

Title	Wire harness luggage compartment lid	P.	fifteen)
Act	Elimination of product defects	Operation Number:	98603-2

VypuskData		Base
one	2015-05	first edition

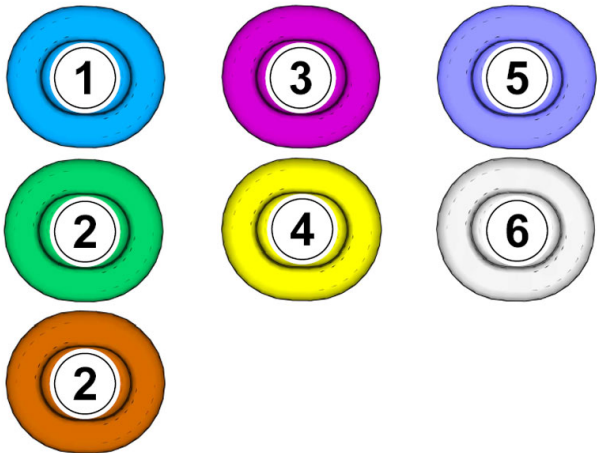
It applies to cars

Year	Model release
2008	V70 (08-)
2008	XC70 (08-)

Material

Material	Number	Part Number	Notes
adhesive tape	0.1		9511028
splice	2.0		9130476
electric. cable	0.1		970663

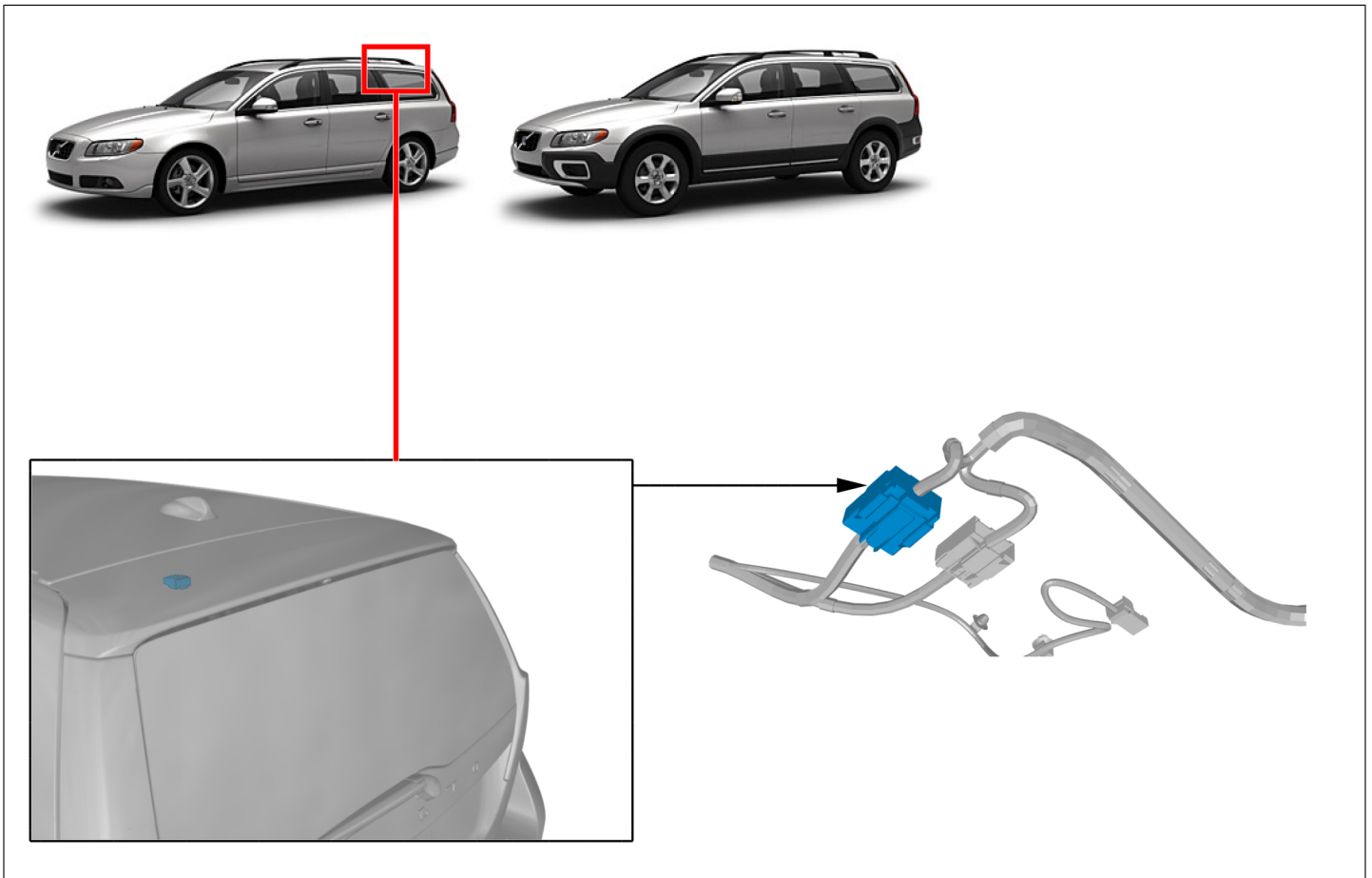
color symbolism



Note: This color map displays (in color print and electronic format) the value of the different colors used in the creation of illustrations.

- one . Used to emphasize a detail to which the forthcoming work.
2. Used as extra colors when you need to show or highlight other details.
3. Used for fasteners to be dismantled / installation.
Immersed in mind the screws, clamps, connectors, and others.
- 4 . If the item is not used, it should not be removed from the car, and you need to weigh the side.
- 5 . Used for standard and special tools.
6. It is used as the background color on the parts of the vehicle.

view mode

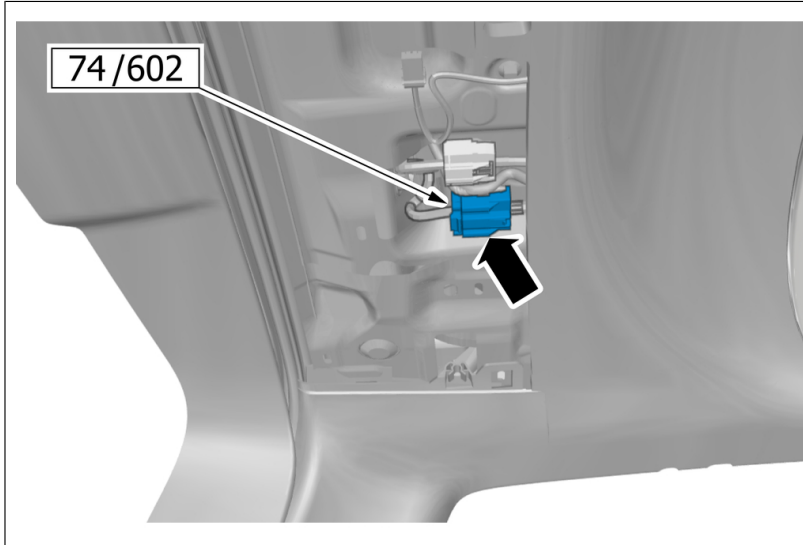


Repairs

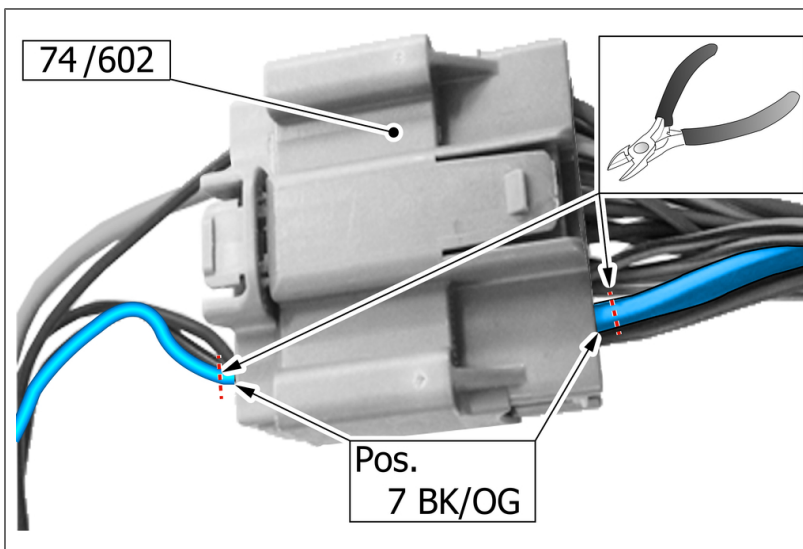
Remove the panel, the threshold of the roof, see .:

Disassembly, replacement and installation of 8 -
Body and interior 85 - Salon

851 - for interior walls / doors, side, rear parcel
shelf, luggage rack



Locate the pin.

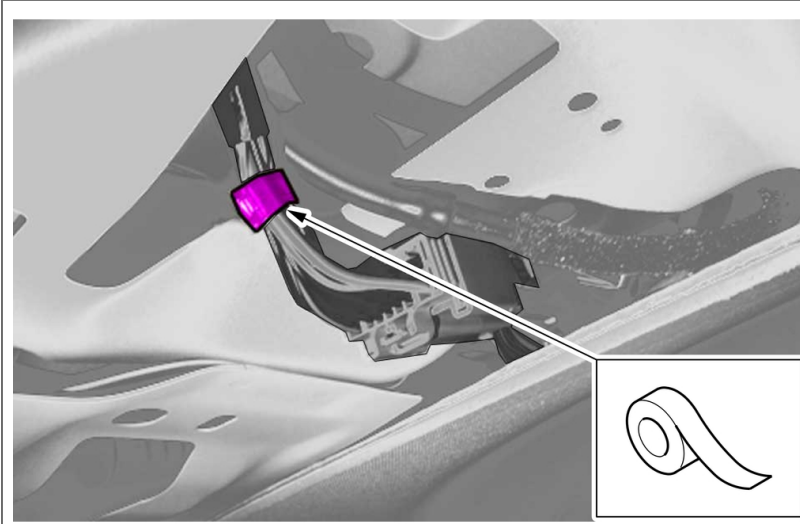
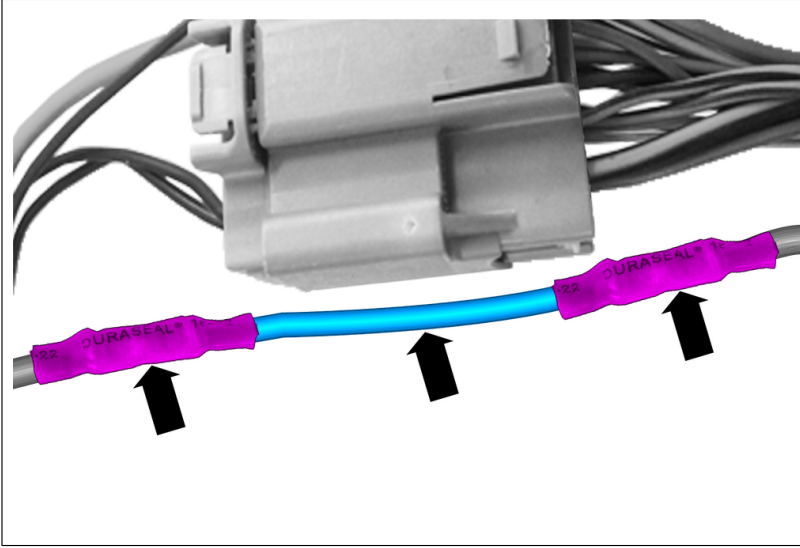


Cut along the dotted line.

installation

Follow the wiring splice, see .:

Instructions for cleaning and adjustment 3 -
Electrical System 37 - Cables and fuses 371 -
cables



use: Electrical tape, 9511028

Follow the installation in the reverse order of removal.