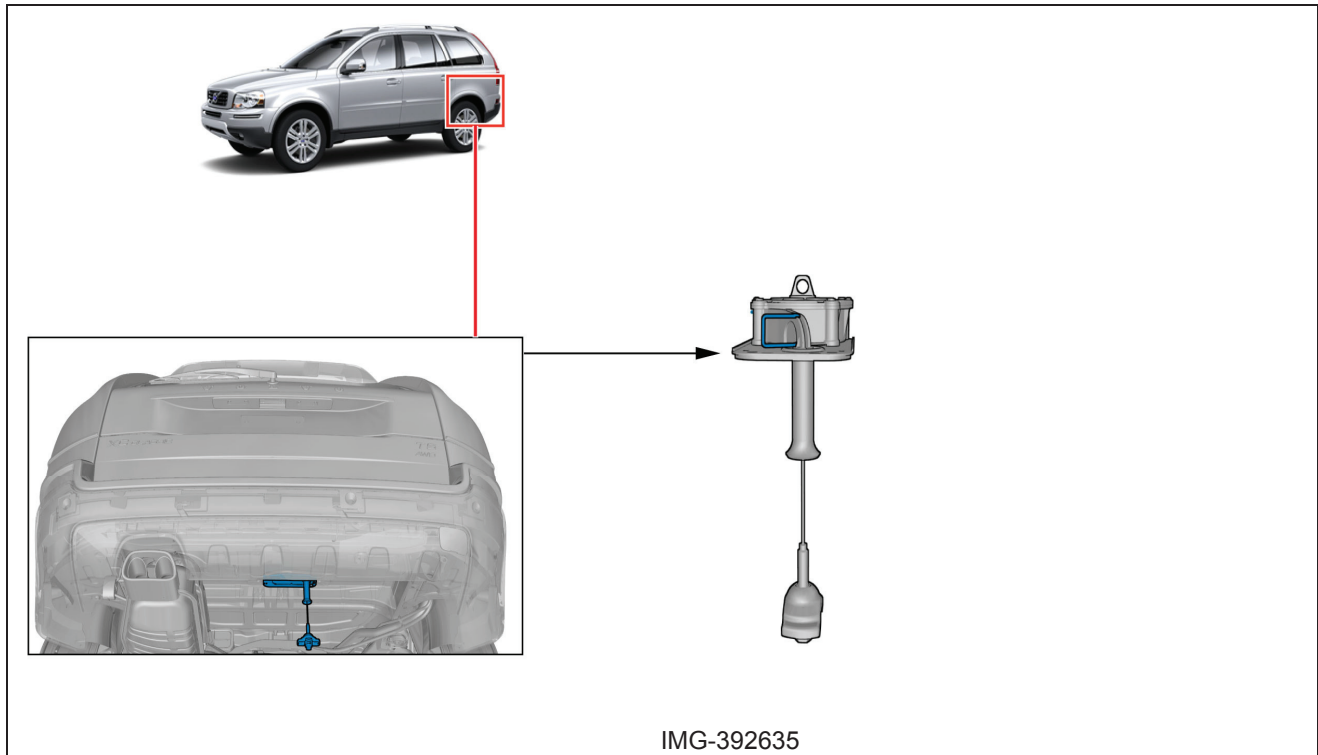


1.



2.

Note! The colour map indicates (for colour printout and electronic version) the significance of the different colours used in the method step images.

1. Used for focus on a detail, the detail that you are going to do something to.
2. Used as extra colours when you need to show or differentiate between other details.
3. Used for securing elements that are to be removed/installed. Can be screws, clips
4. Used when the detail is not completely removed from the vehicle, when only hung aside.
5. Used for standard tools and special tools.
6. Used as background colour on vehicle parts.

IMG-376166

Removal

All vehicles

3.

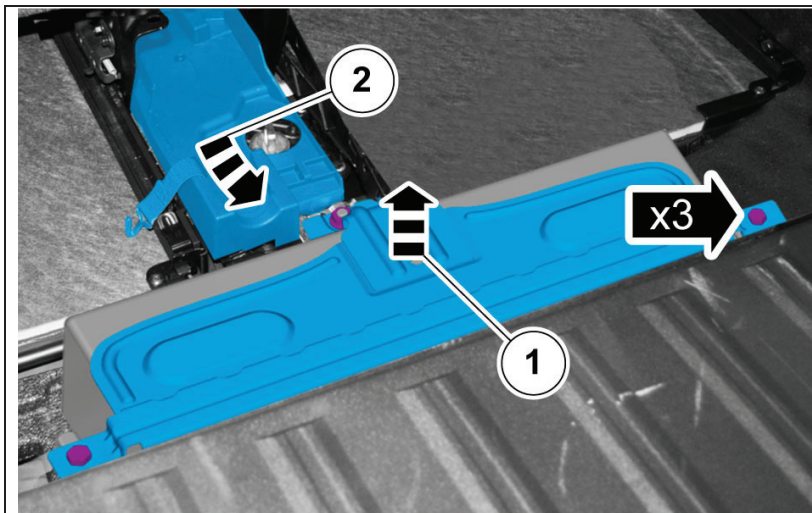


IMG-392646

Remove marked detail.

Vehicles with 7 seats.

4.



IMG-335153

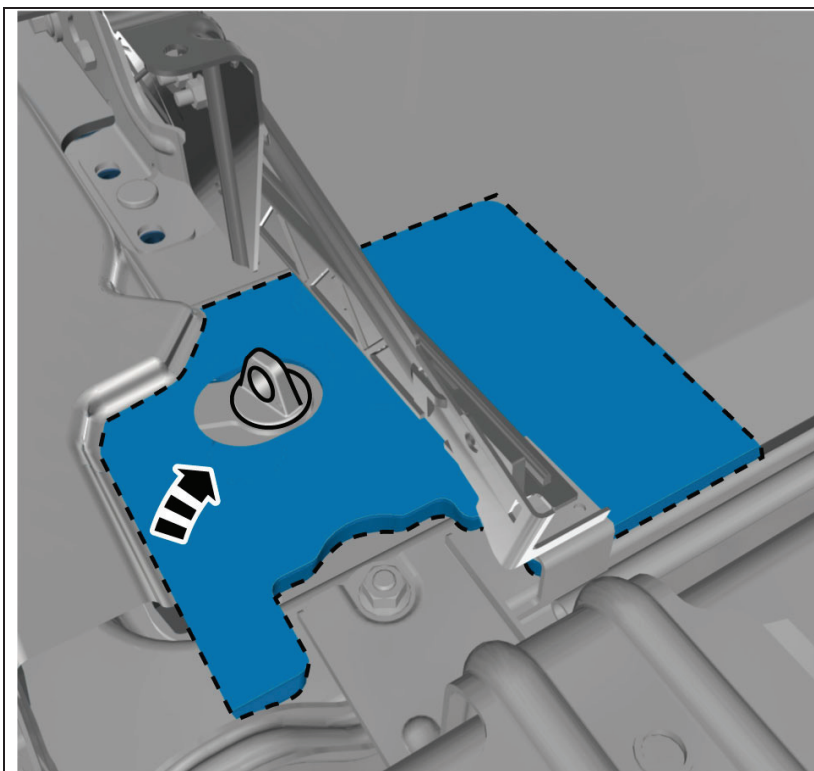
Ensure that the third row of seats is folded up.

Tightening torque:
M8 24 Nm

- Slacken the nut.
- Loosen the screws.
- Remove marked details.

All vehicles

5.

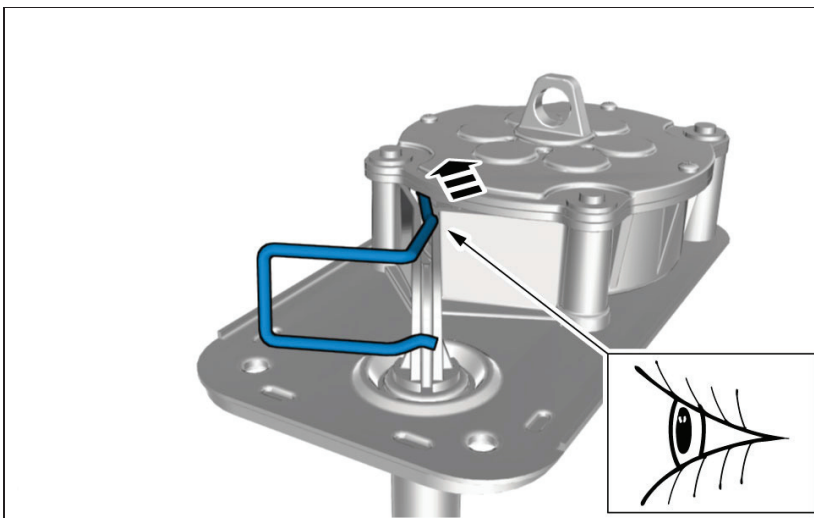


IMG-335150

Remove marked detail.

All vehicles

6.



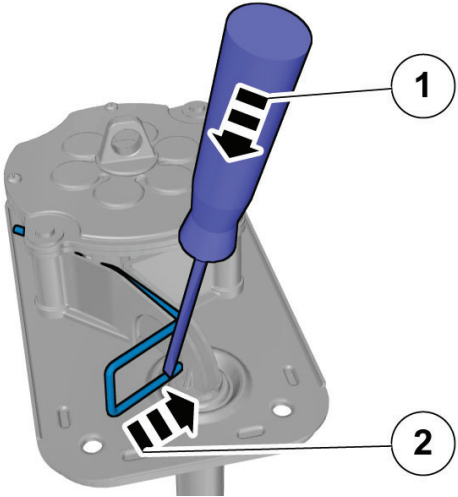
IMG-392645

Thread the spring into the guide, under the cover.

Installation

All vehicles

7.

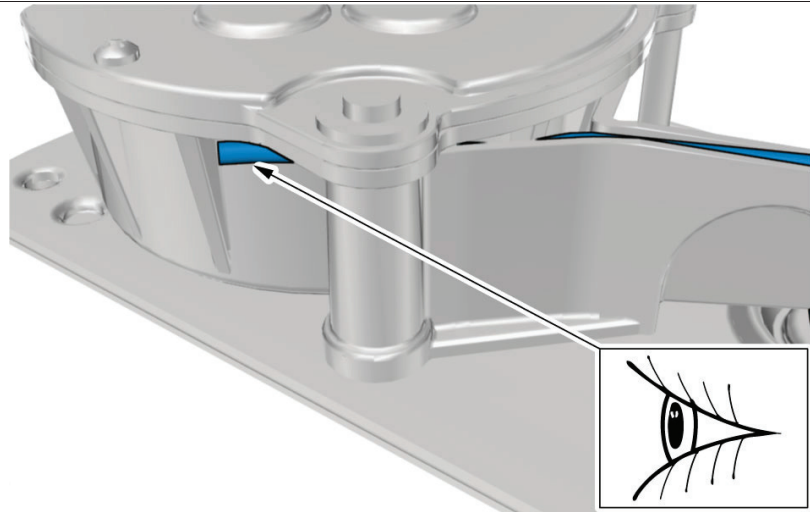


1. Depress the spring using a screwdriver.
2. Press the spring laterally by hand.

IMG-392647

All vehicles

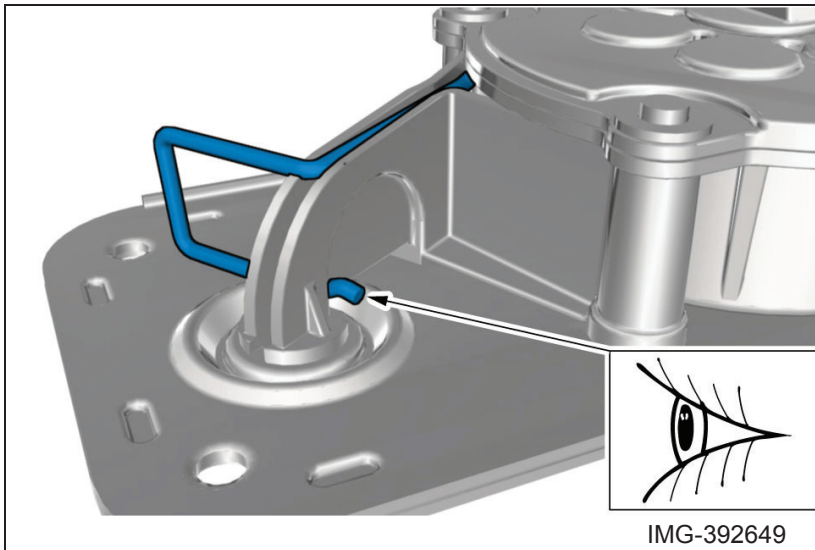
8.



Note its location.

IMG-392648

9.



Note its location.

Installation

10.

To install, reverse the removal procedure.