



XC90, 2006, B5254T2, YV4CZ592661252744, 252744

18/8/2010

PRINT

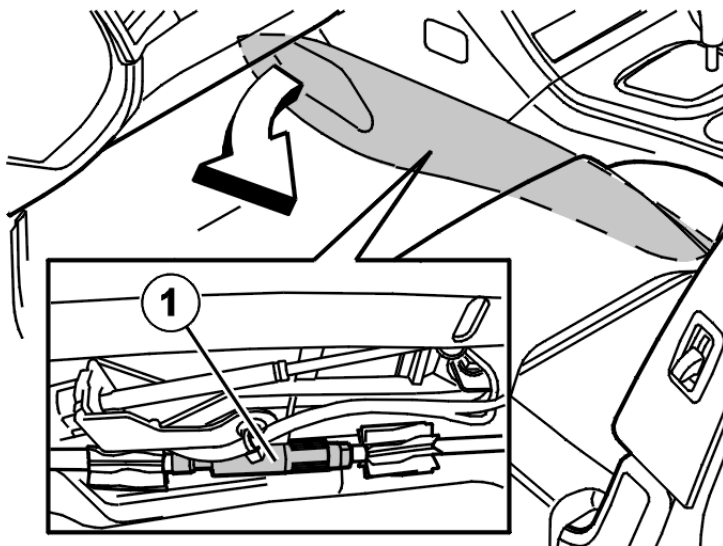
55: Brake controls, mechanical, L.H.D

Parking brake, adjusting

Note! The illustrations in this service information are used for different model years and/or models. Some variation may occur. However, the essential information in the illustrations is always correct.

Removal

Removing the panel

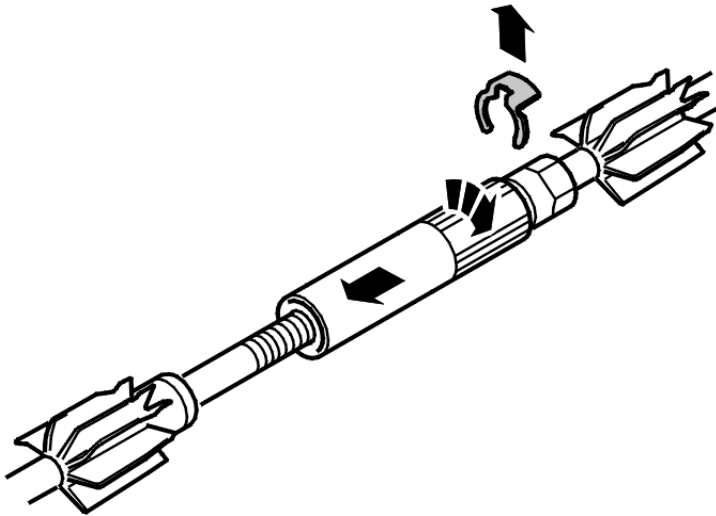


Remove the panel for the center console on the left-hand side. Locate the adjustment for the parking brake (1).

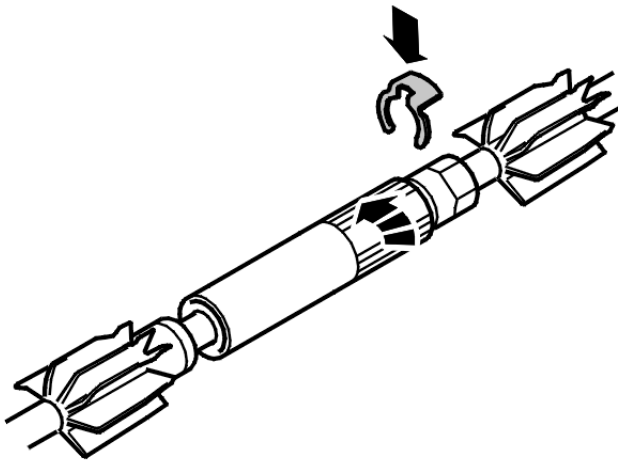
Remove the retaining clip.

Note! Take care when removing the retaining clip.

Screw the socket clockwise over the groove for the retaining clip. Press the socket back over the adjustment rod.



Screw the socket clockwise so that the groove for the clip emerges. Install the clip.

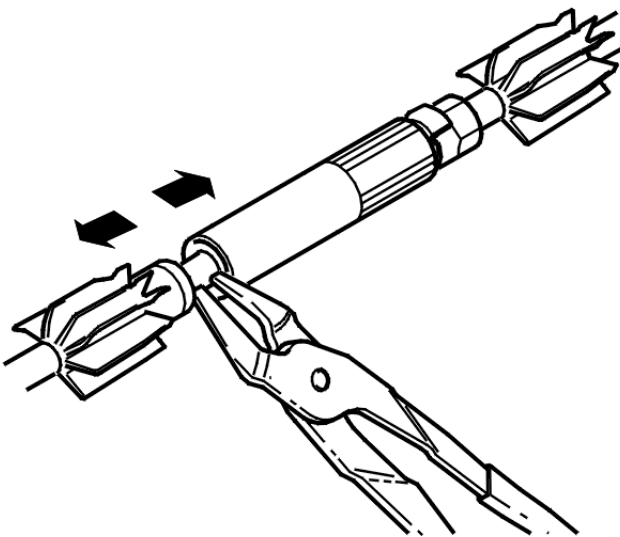


Adjusting the parking brake

Depress the brake pedal to the first notch. Press out the adjustment using the adjustment rod: 951 2947 .

Test the parking brake.

Full effect can be obtained between the second and fifth ratchet teeth.



Installation

Installing the panel

Install the panel for the center console on the left-hand side.

18/8/2010

PRINT