



432 | Gear selector passenger compartment, AW55-50/51SN, L.H.D

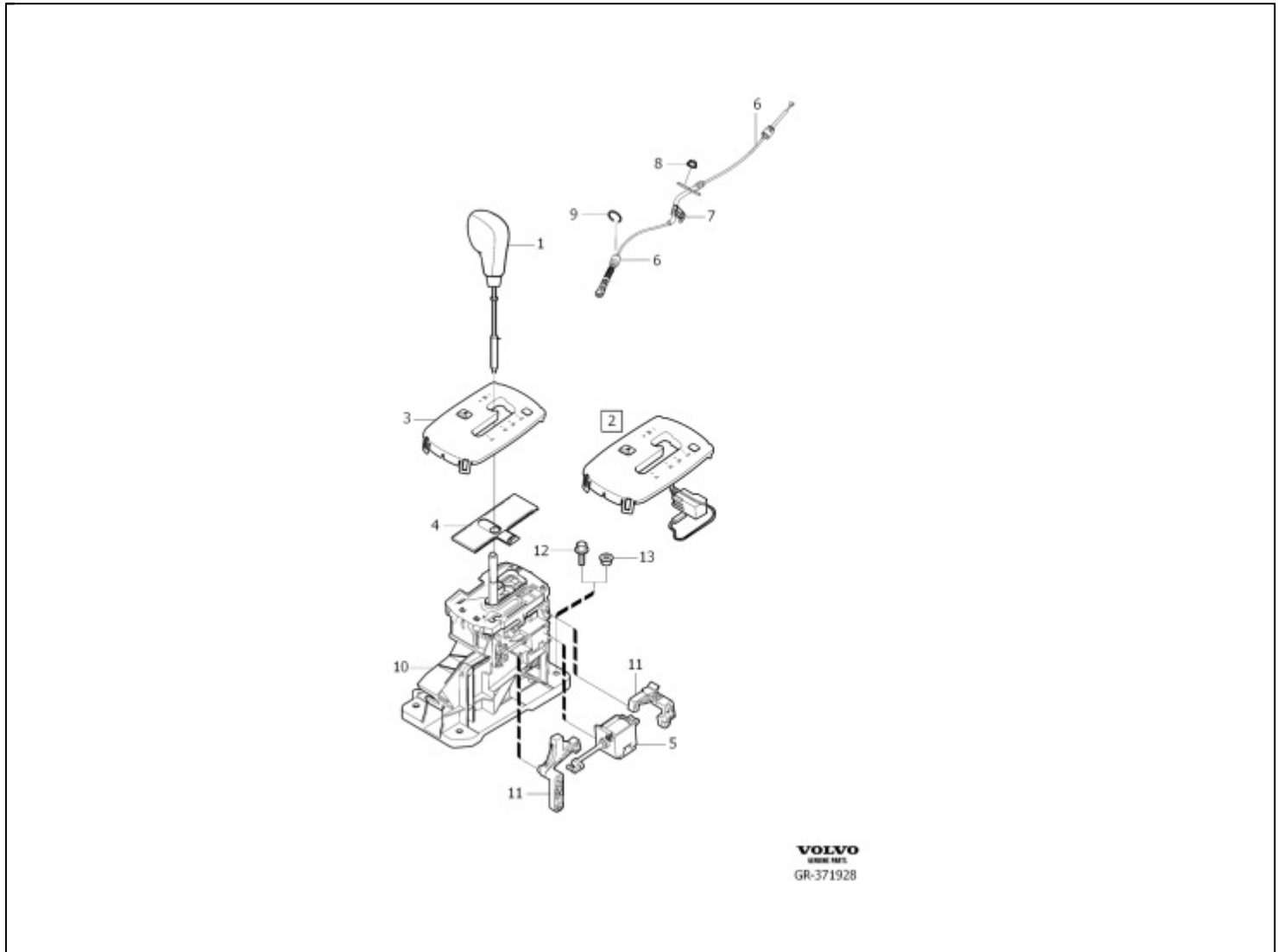


Fig.	Part No.	Description	Qty.	PS
1	30759292	Gear shift lever knob, leather	1	
	30622365	Gear shift lever knob, standard	1	
	30759052	Gear shift lever knob, leather, metal	1	
	30759056	Gear shift lever knob, leather, dark imitation wood	1	
	30759139	Gear shift lever knob, leather, bright, wood CH 350000-	1	
2	30759659	Panel, with circuit board CH -349999	1	
	31259587	Panel, with circuit board CH 350000-	1	



3	30684180	Panel, without circuit card CH -349999	1	
	30787937	Panel, without circuit card CH 350000-	1	
4	8699465	Blind	1	
5	8699457	Solenoid	1	
6	30783150	Gear shift cable, exc. clip	1	
7	30677504	Clip	1	
8	985866	Flange lock nut M6x7.3	2	
9	30759078	Lock ring	2	
10	30759916	Housing, with lever	1	
11		Rocker arm kit	1	NS
12	982761	Flange screw CH -349999, M6x35	4	
13	985852	Sems nut CH 350000-	4	